



US00D483532S

(12) **United States Design Patent**
Shelley

(10) **Patent No.:** **US D483,532 S**

(45) **Date of Patent:** **** Dec. 9, 2003**

(54) **IN-SINK DISHWASHER WITH SINGLE BOWL**

5,988,193 A 11/1999 Hernandez 134/184

FOREIGN PATENT DOCUMENTS

(75) **Inventor:** **Kenneth Todd Shelley**, St. Joseph, MI (US)

JP 10-225330 8/1998 A47B/77/08
JP 10-225331 8/1998 A47B/77/08

(73) **Assignee:** **Whirlpool Corporation**, Benton Harbor, MI (US)

OTHER PUBLICATIONS

(**) **Term:** **14 Years**

Patent Abstracts of Japan, Publication No.: 2001-087198, Published Mar. 4, 2001.

Patent Abstracts of Japan, Publication No.: 10-028667, Published Mar. 2, 1998.

(21) **Appl. No.:** **29/160,116**

Primary Examiner—Louis S. Zarfes

(22) **Filed:** **May 3, 2002**

Assistant Examiner—Robert A. Delehanty

(51) **LOC (7) Cl.** **15-05**

(74) *Attorney, Agent, or Firm*—John F. Colligan; Robert O. Rice; Thomas J. Roth

(52) **U.S. Cl.** **D32/2**

(58) **Field of Search** D32/1-3, 25; D23/290, D23/308; 4/661, 642, 657, 654; 134/580, 92, 84, 115 R, 201; 15/74, 4; 241/46.015, 46.012

(57) **CLAIM**

The ornamental design of an in-sink dishwasher with single bowl, as shown and described.

(56) **References Cited**

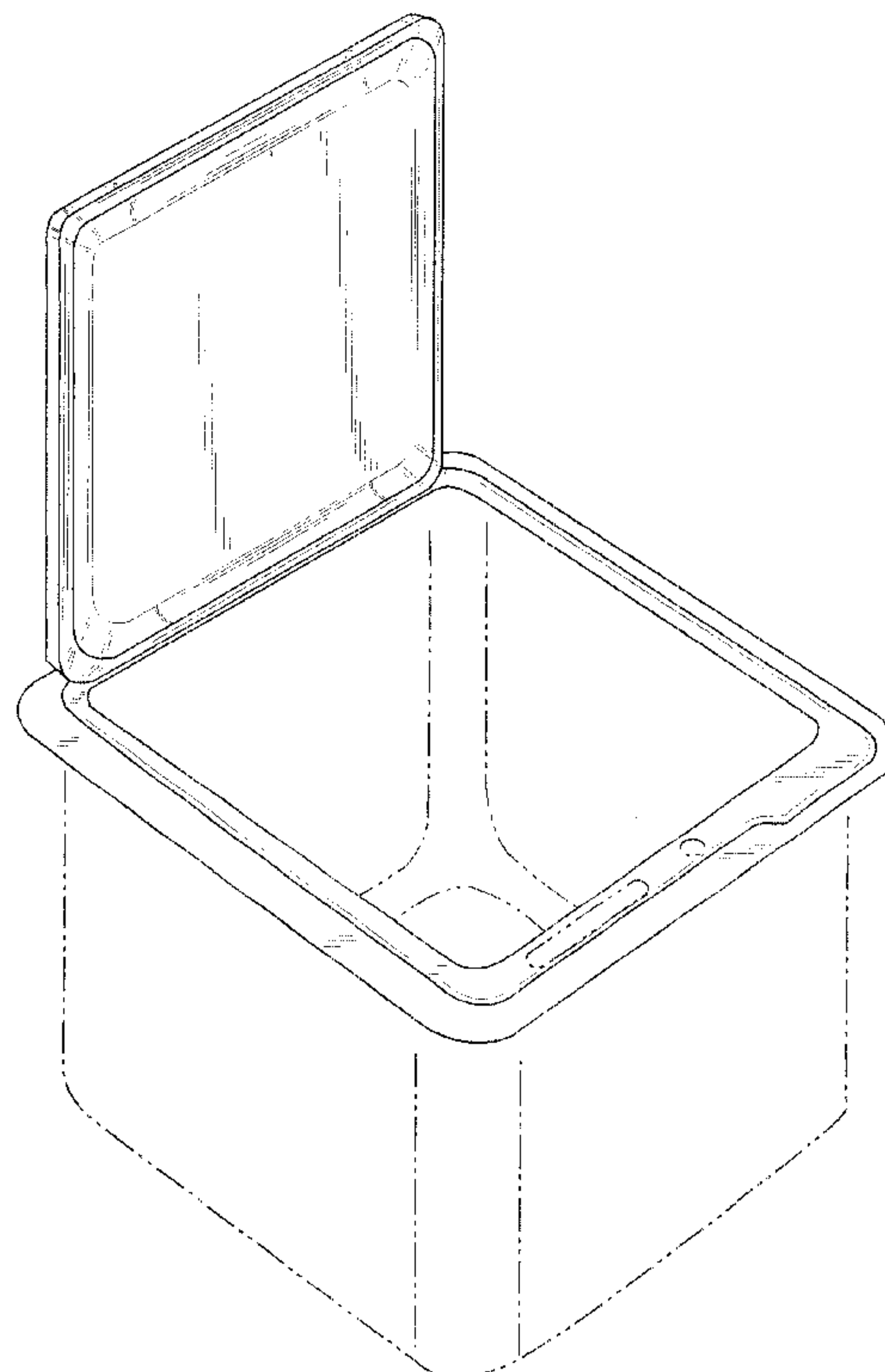
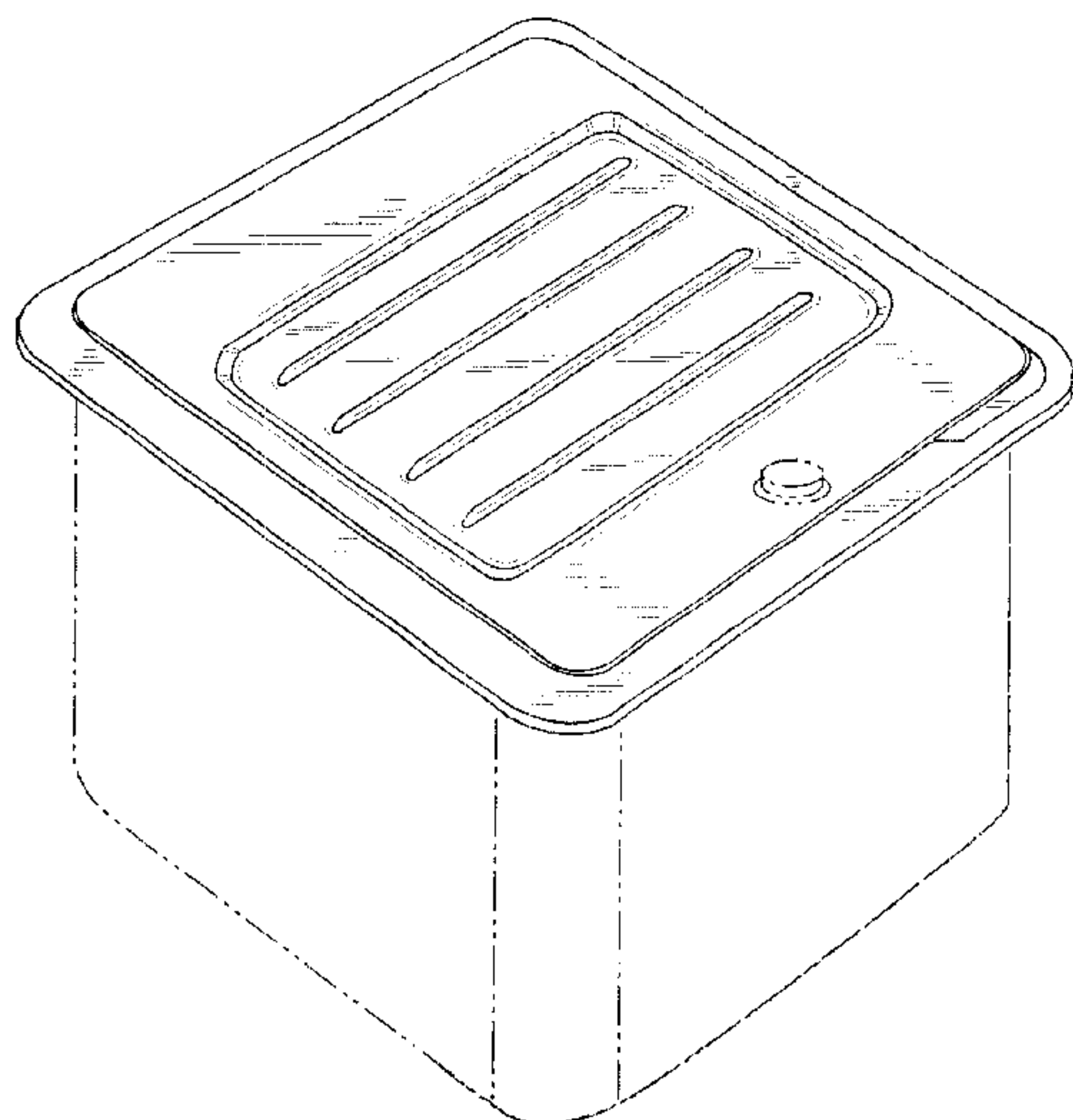
DESCRIPTION

U.S. PATENT DOCUMENTS

862,662 A	8/1907	Robinson	D32/2 X
863,825 A	8/1907	Acker	D23/290 X
1,641,061 A	8/1927	Young	4/656 X
1,995,331 A	3/1935	Snyder et al.	D23/286 X
2,403,526 A	7/1946	Harris	134/115 R
2,447,788 A	8/1948	Ball	D23/287 X
2,579,393 A	12/1951	Modrey	4/187
3,961,984 A	6/1976	Torressen	134/115 R X
D259,137 S	5/1981	Knox	D23/290
4,418,829 A	12/1983	Clay	134/84 X
4,420,006 A	12/1983	Moore et al.	134/115 R X

FIG. 1 is a front perspective view of the in-sink dishwasher with single bowl showing the new design;
FIG. 2 is a top perspective view with lid open thereof;
FIG. 3 is a top plan view thereof;
FIG. 4 is a front elevational view with lid open thereof;
FIG. 5 is a rear elevational view with lid open thereof;
FIG. 6 is a left elevational view with lid open thereof; and,
FIG. 7 is a top plan view with lid open thereof.
The broken lines shown are for illustrative purposes only and form no part of the claimed design.

1 Claim, 6 Drawing Sheets



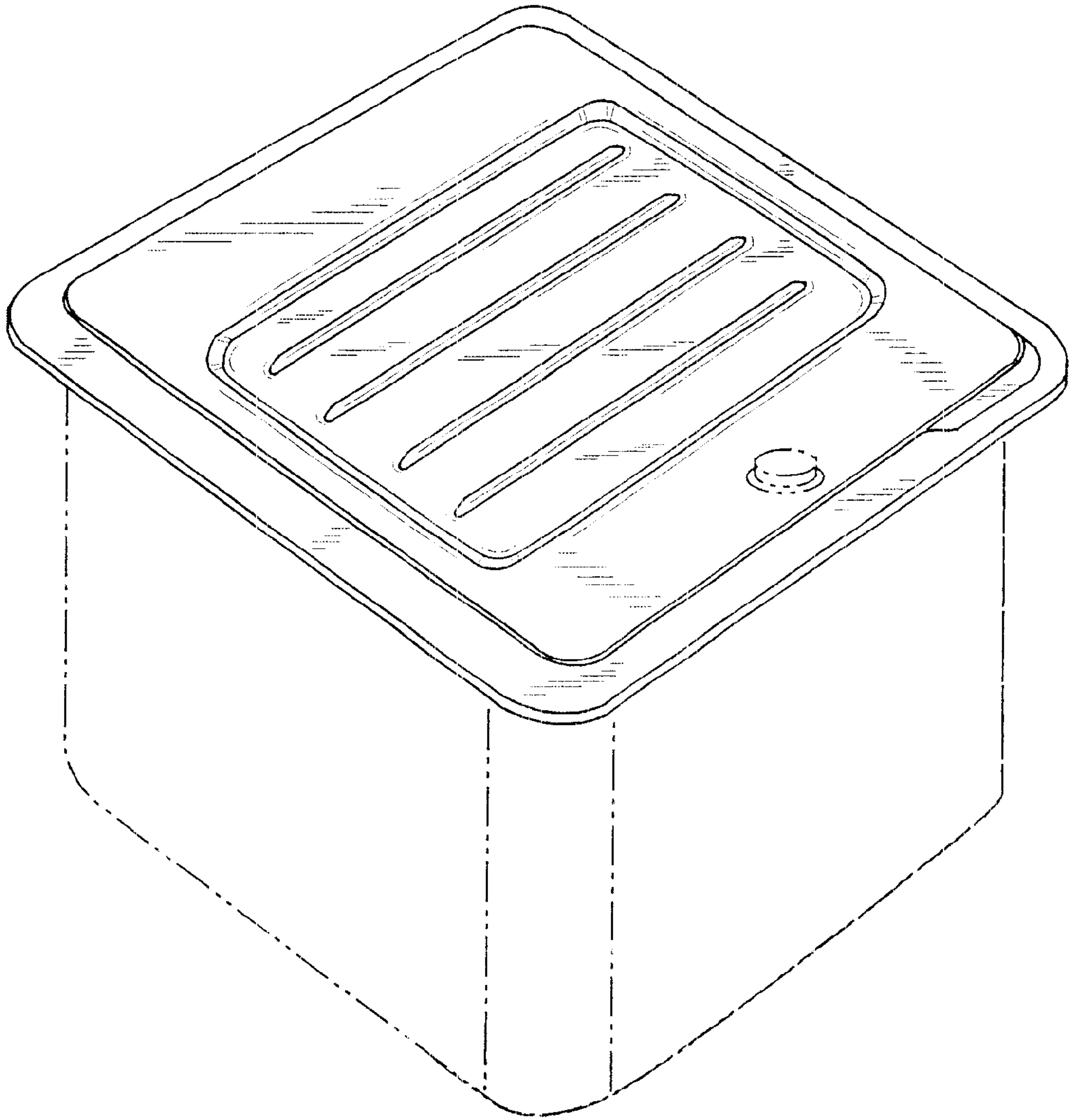


Fig. 1

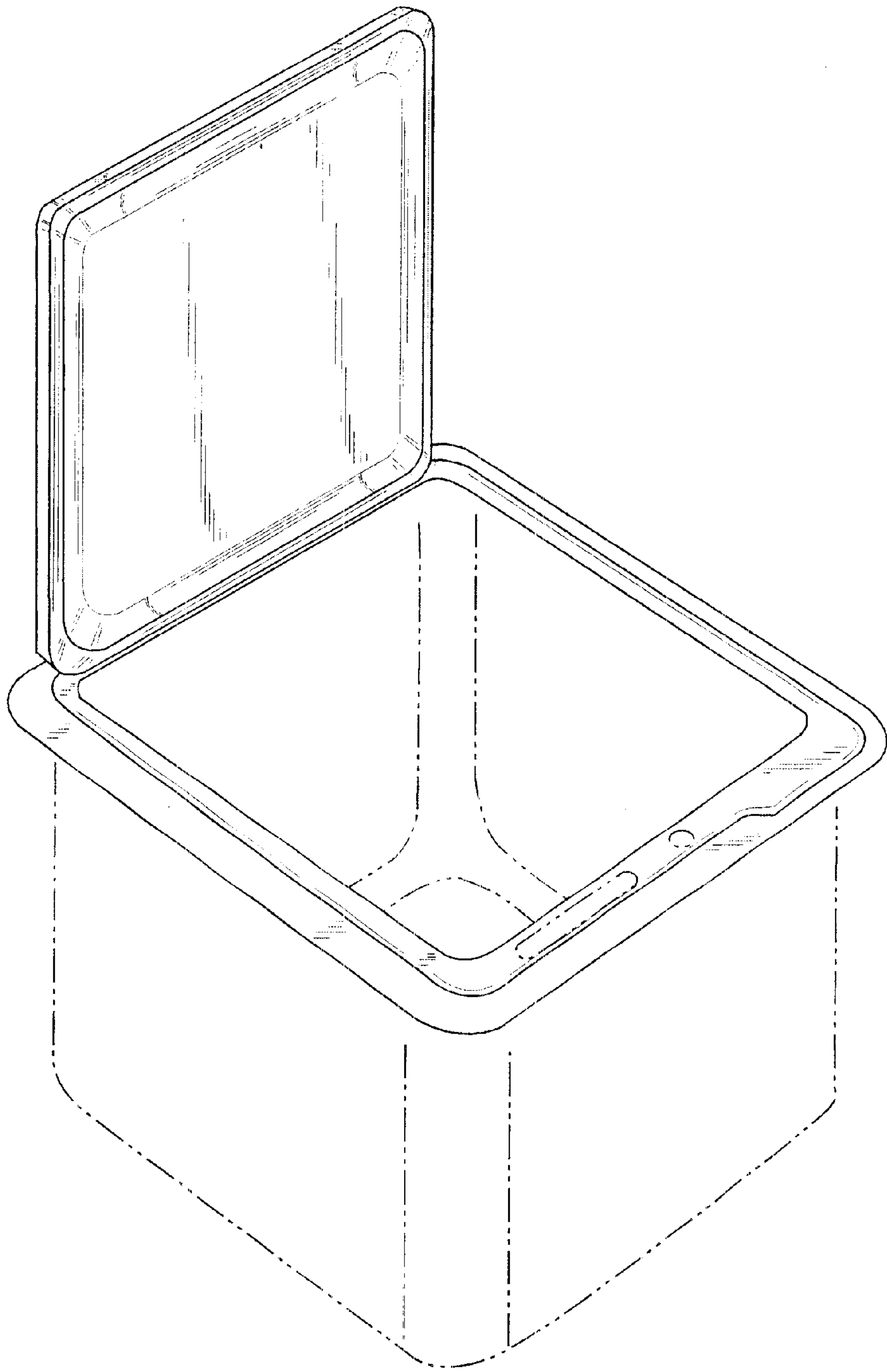


Fig. 2

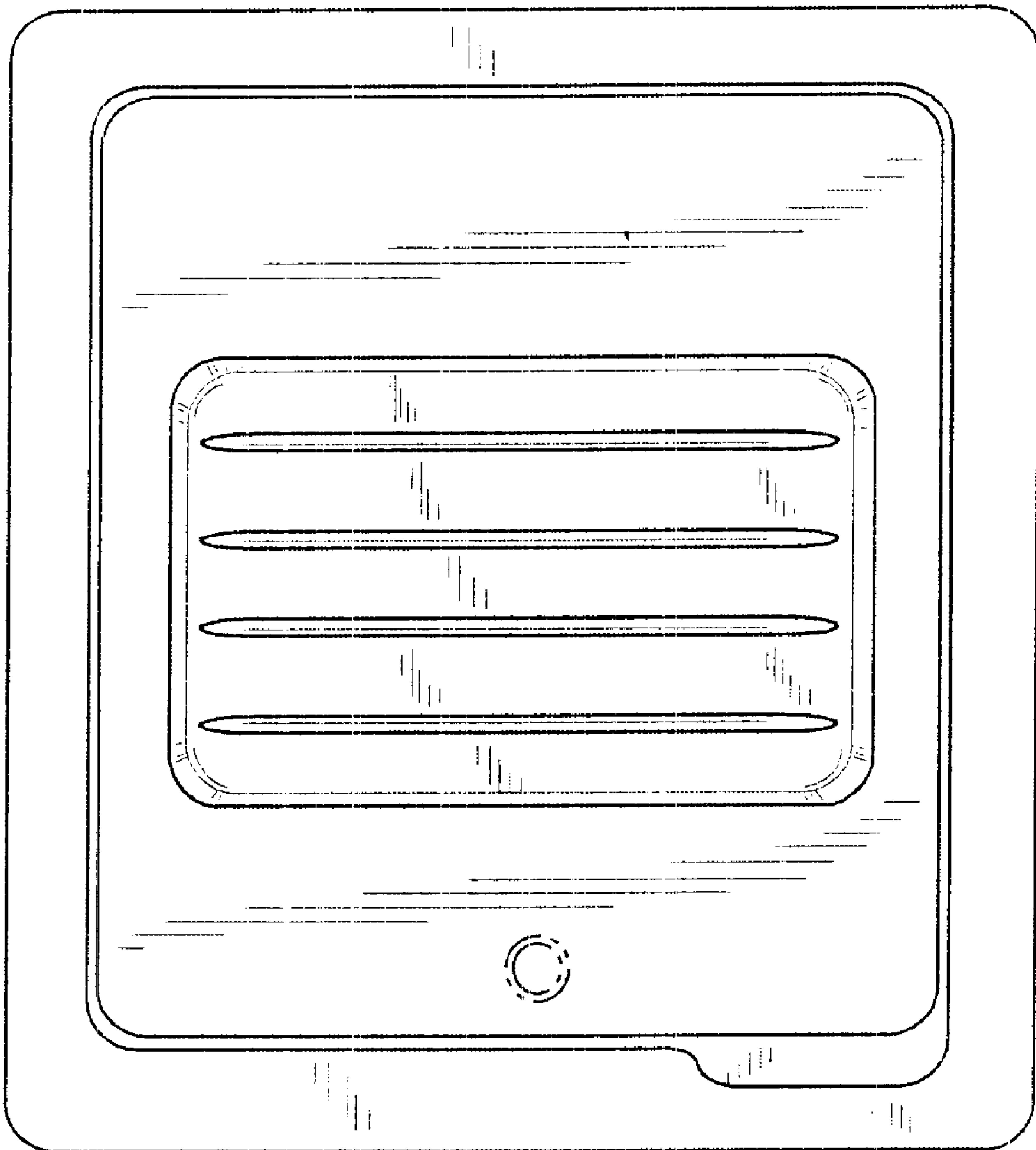


Fig. 3

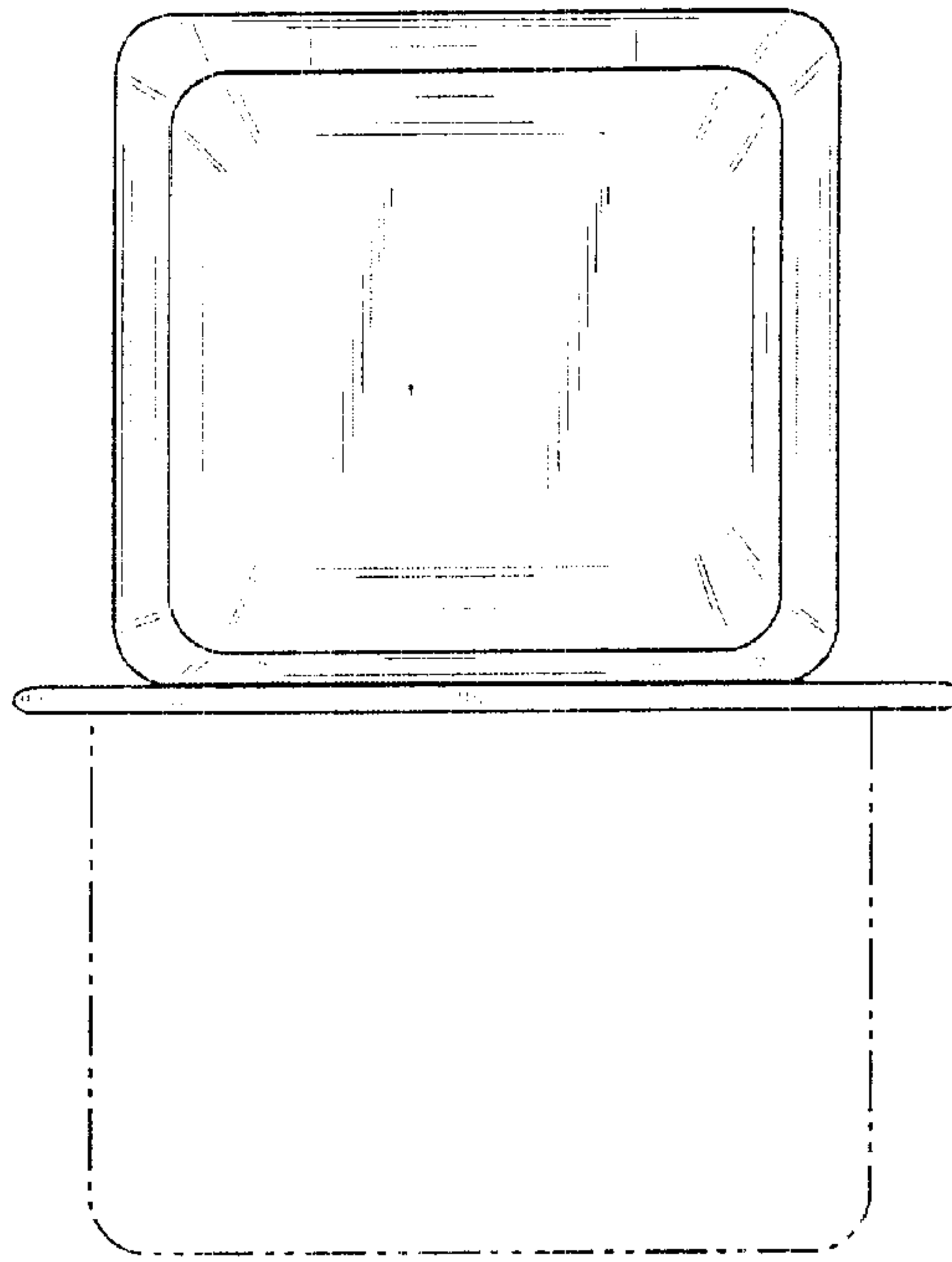


Fig. 4

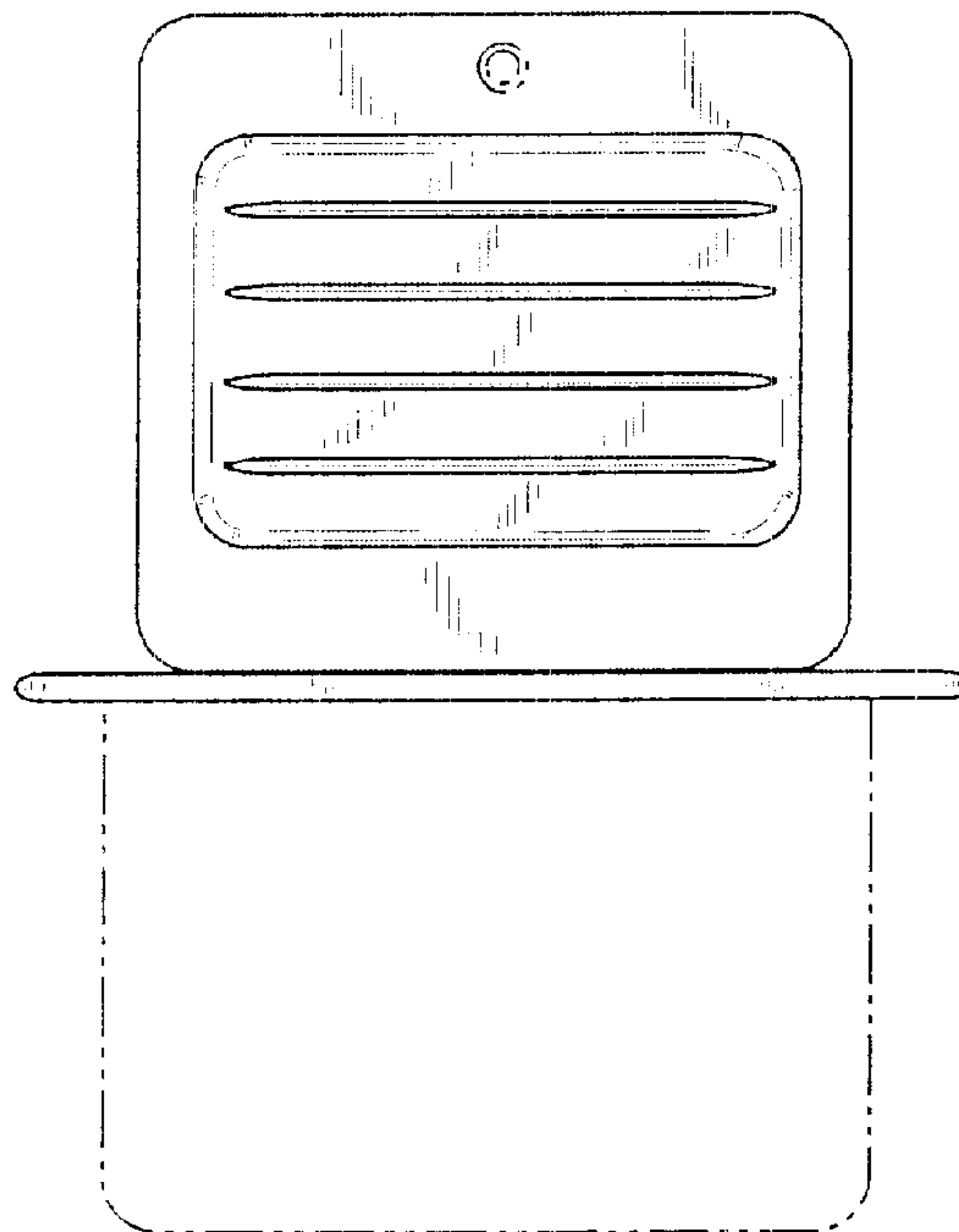


Fig. 5

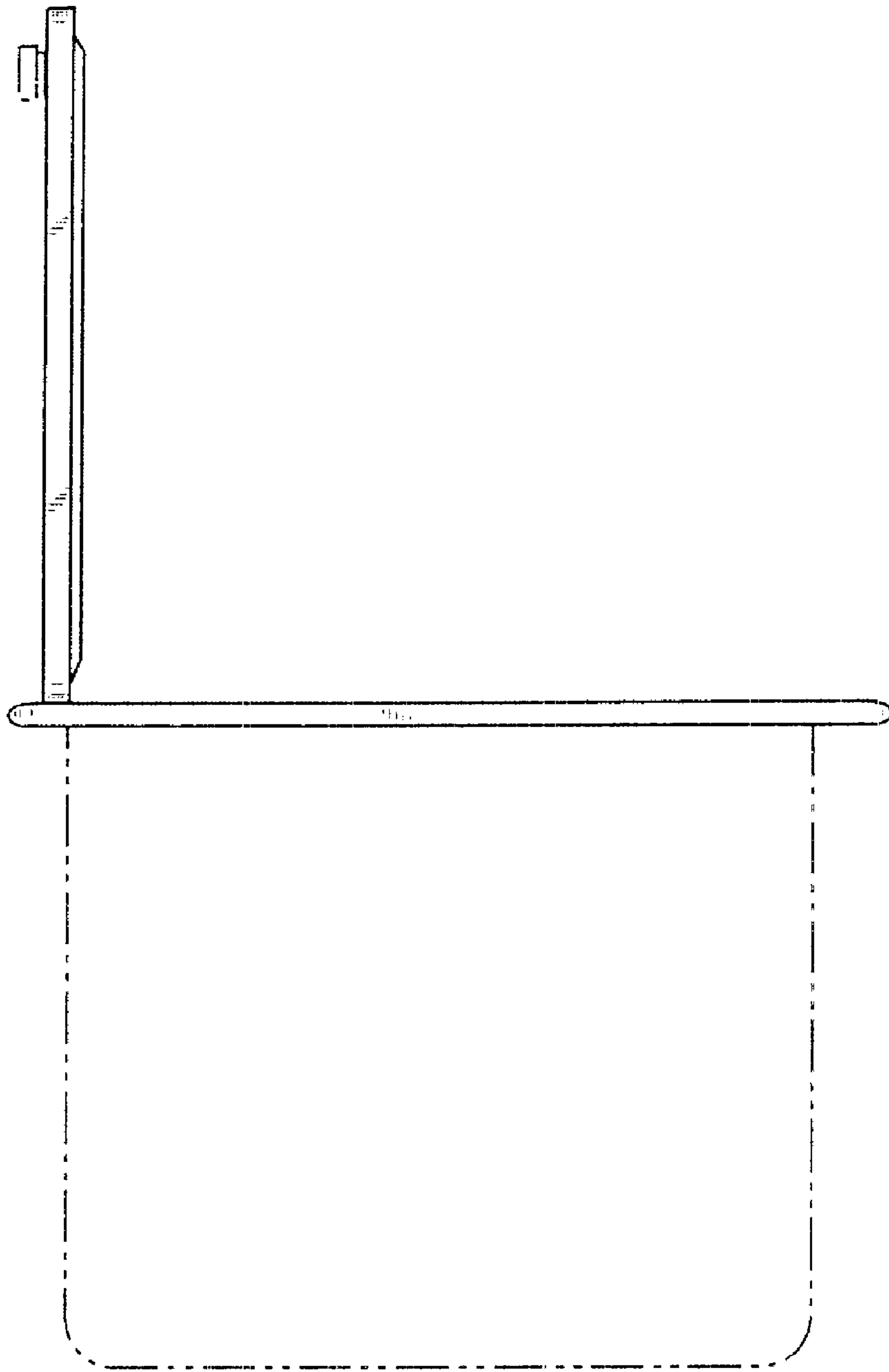


Fig. 6

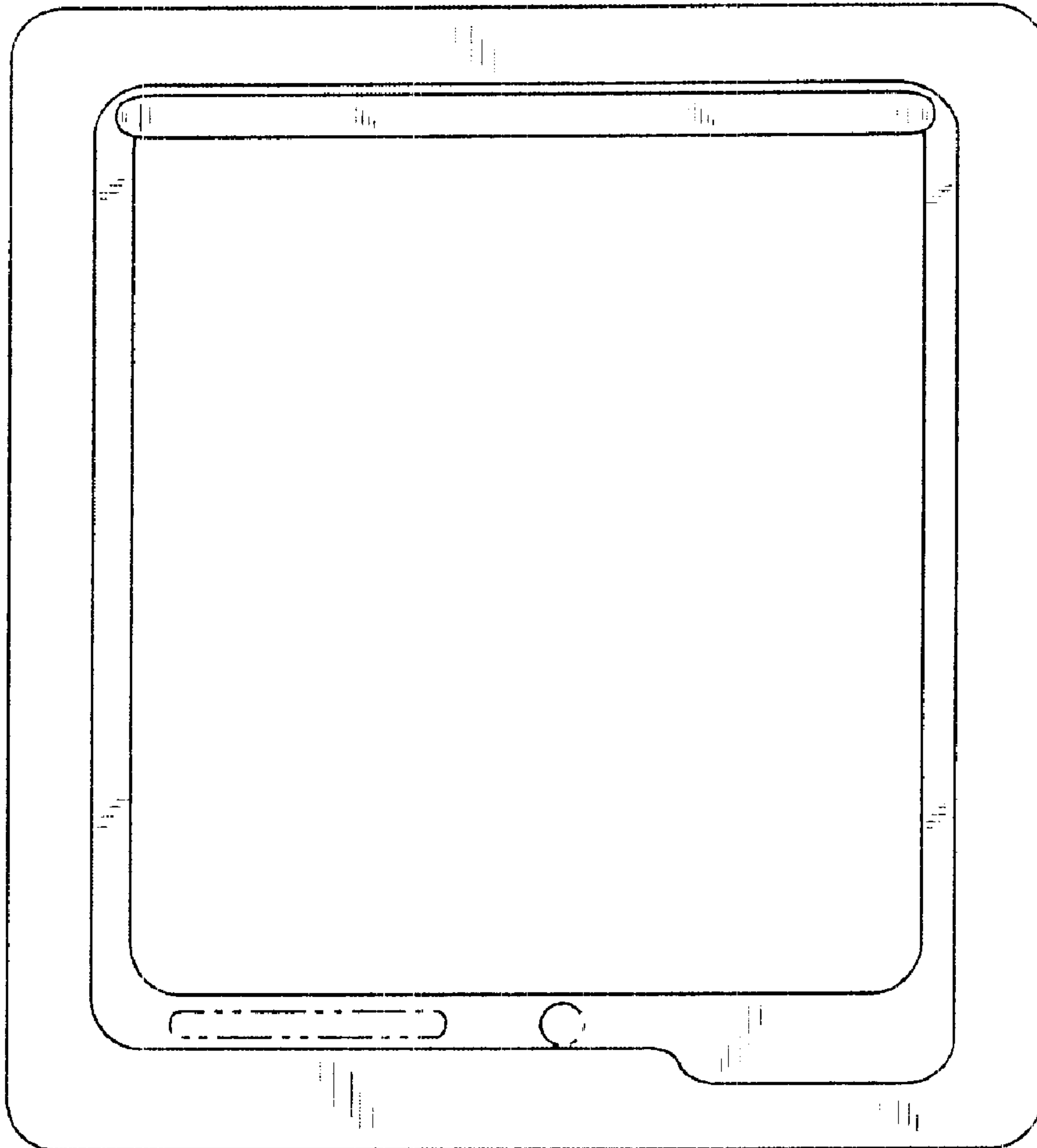


Fig. 7