



US00D483531S

(12) **United States Design Patent**
Shelley

(10) **Patent No.:** **US D483,531 S**

(45) **Date of Patent:** **** Dec. 9, 2003**

(54) **IN-SINK DISHWASHER**

FOREIGN PATENT DOCUMENTS

(75) **Inventor:** **Kenneth Todd Shelley, St. Joseph, MI (US)**

JP 10225330 8/1998 A47B/77/08
JP 10225331 8/1998 A47B/77/08

(73) **Assignee:** **Whirlpool Corporation, Benton Harbor, MI (US)**

OTHER PUBLICATIONS

Patent Abstracts of Japan, Publication No.: 2001-087198, Published Mar. 4, 2001.

Patent Abstracts of Japan, Publication No.: 10-028667, Published Mar. 2, 1998.

(**) **Term:** **14 Years**

* cited by examiner

(21) **Appl. No.:** **29/160,110**

(22) **Filed:** **May 3, 2002**

Primary Examiner—Louis S. Zarfaz

Assistant Examiner—Robert A. Delehanty

(51) **LOC (7) Cl.** **15-05**

(52) **U.S. Cl.** **D32/2; D23/290**

(58) **Field of Search** D32/1-3, 25; D23/290, D23/308; 4/661, 642, 657, 654; 134/58 D, 92, 84, 115 R, 201; 15/74, 4; 241/46.015, 46.012

(74) *Attorney, Agent, or Firm*—John F. Colligan; Robert O. Rice; Thomas J. Roth

(57) **CLAIM**

The ornamental design of an in-sink dishwasher, as shown and described.

(56) **References Cited**

DESCRIPTION

U.S. PATENT DOCUMENTS

862,662	A	*	8/1907	Robinson	D32/2	X
863,825	A	*	8/1907	Acker	D23/290	X
1,641,061	A	*	8/1927	Young	4/656	X
1,995,331	A	*	3/1935	Snyder et al.	D23/286	X
2,447,788	A	*	8/1948	Ball	D23/287	X
2,579,393	A		12/1951	Modrey	4/187	
2,721,333	A	*	10/1955	Stanitz	4/637	
D259,137	S	*	5/1981	Knox	D23/290	
4,420,006	A	*	12/1983	Moore et al.	134/115 R	X
4,456,021	A	*	6/1984	Leavens	134/115 R	X
5,193,562	A	*	3/1993	Rigby et al.	134/115 R	X
5,988,193	A	*	11/1999	Hernandez	134/84	X

FIG. 1 is a front perspective view of the in-sink dishwasher showing the new design;

FIG. 2 is a top plan view thereof;

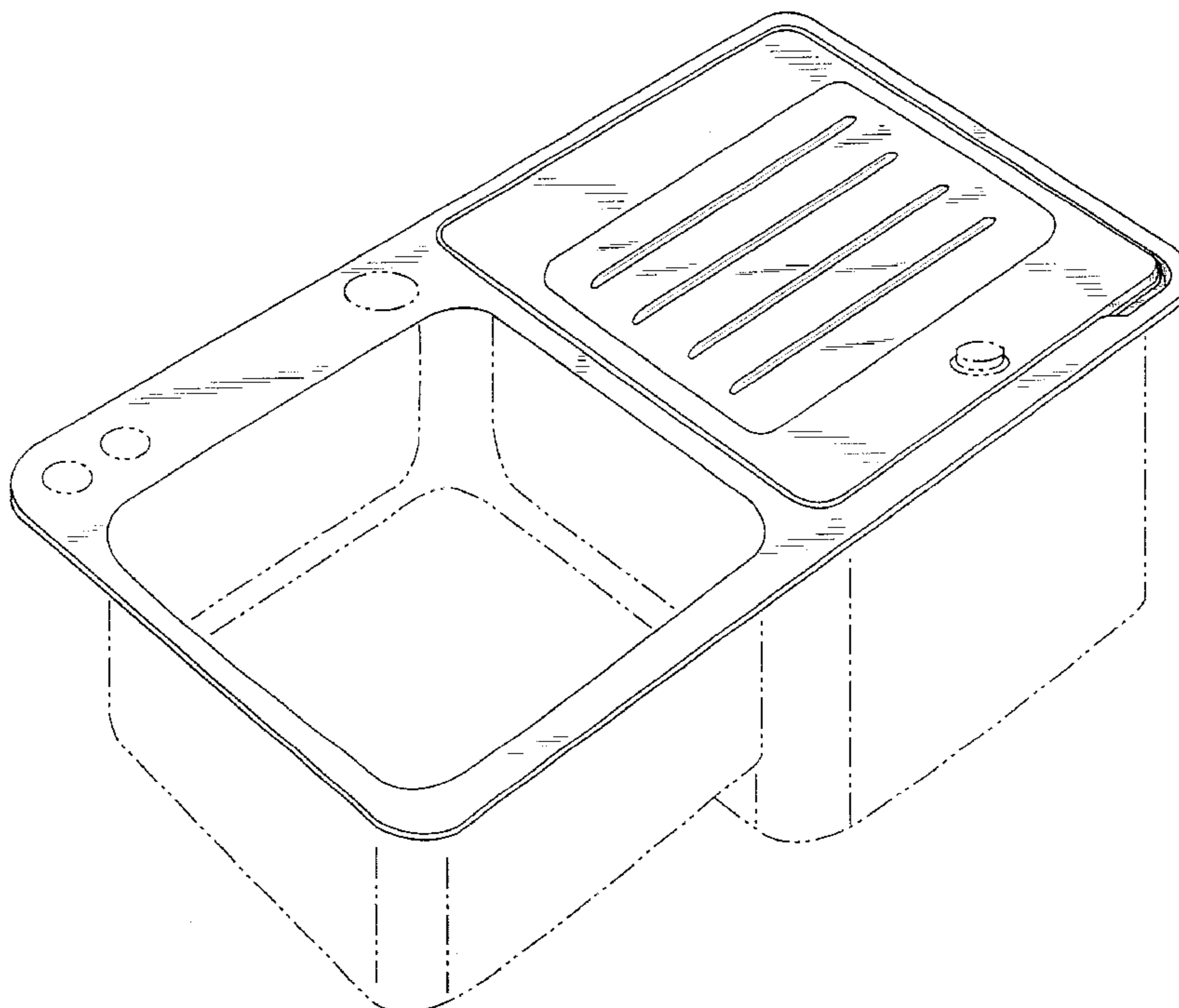
FIG. 3 is a top perspective view thereof with the lid shown open;

FIG. 4 is a front elevation view thereof with the lid shown open; and,

FIG. 5 is a rear elevation view thereof with the lid shown open.

The broken lines shown are for illustrative purposes only and form no part of the claimed design.

1 Claim, 4 Drawing Sheets



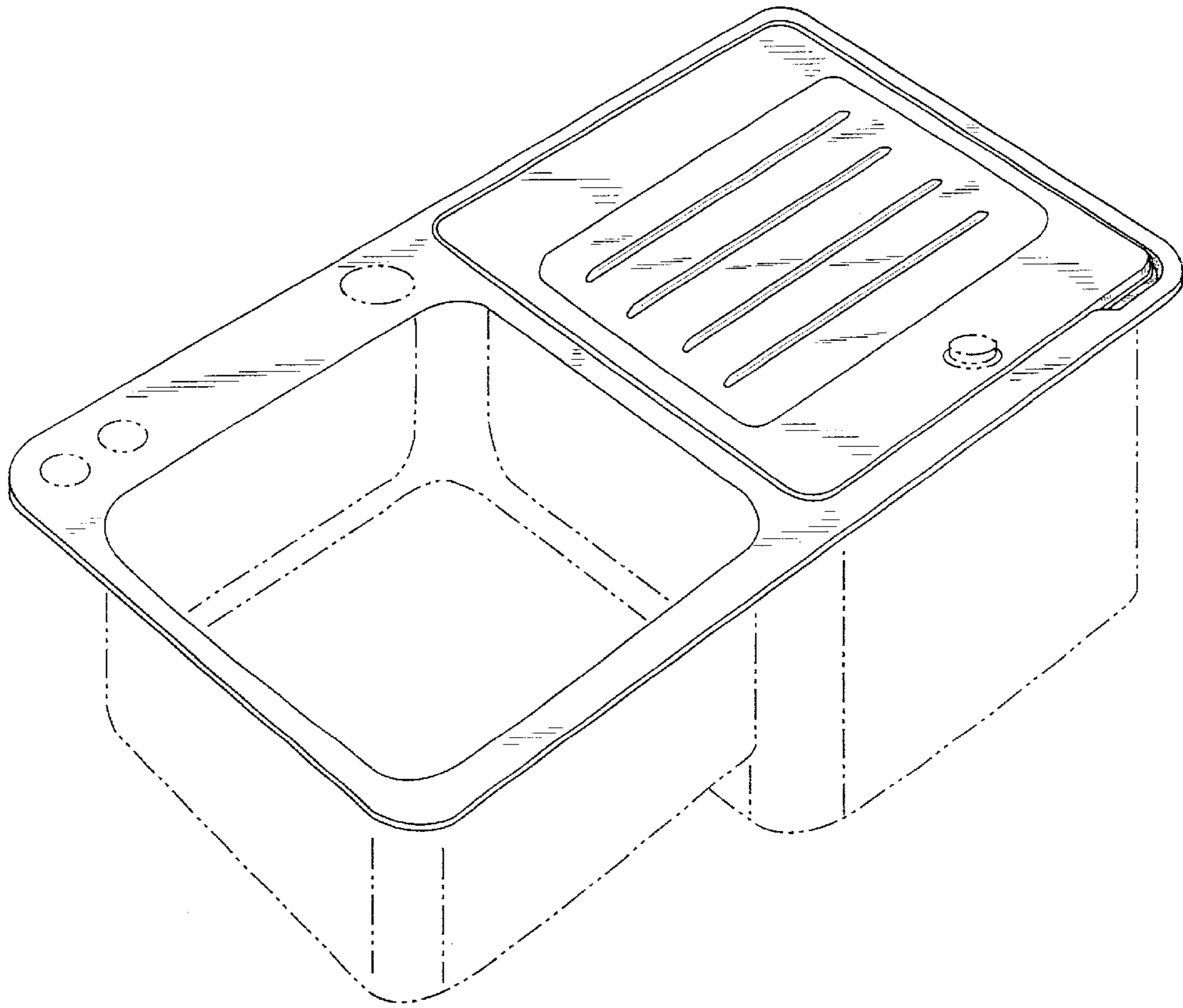


Fig. 1

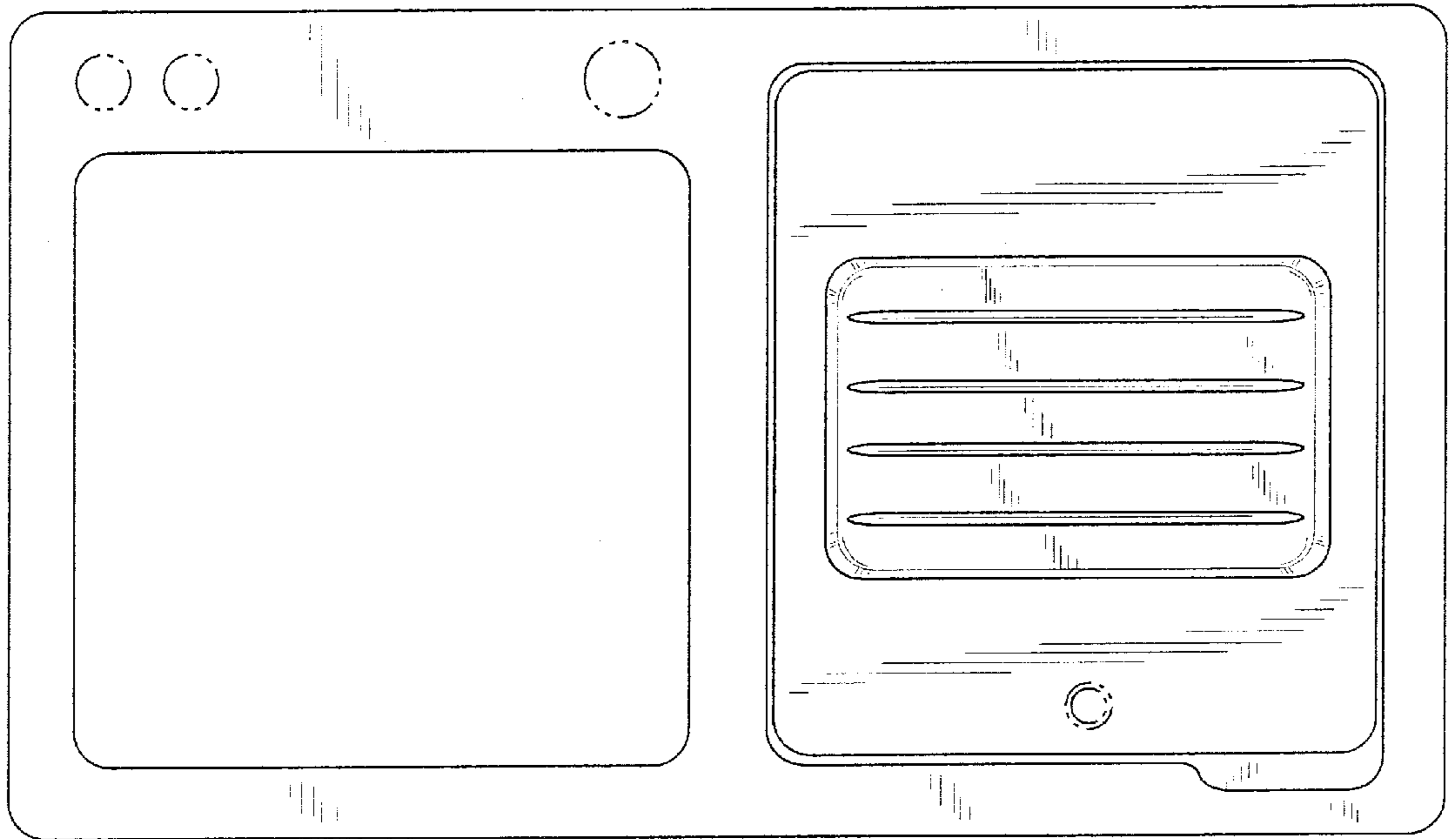


Fig. 2

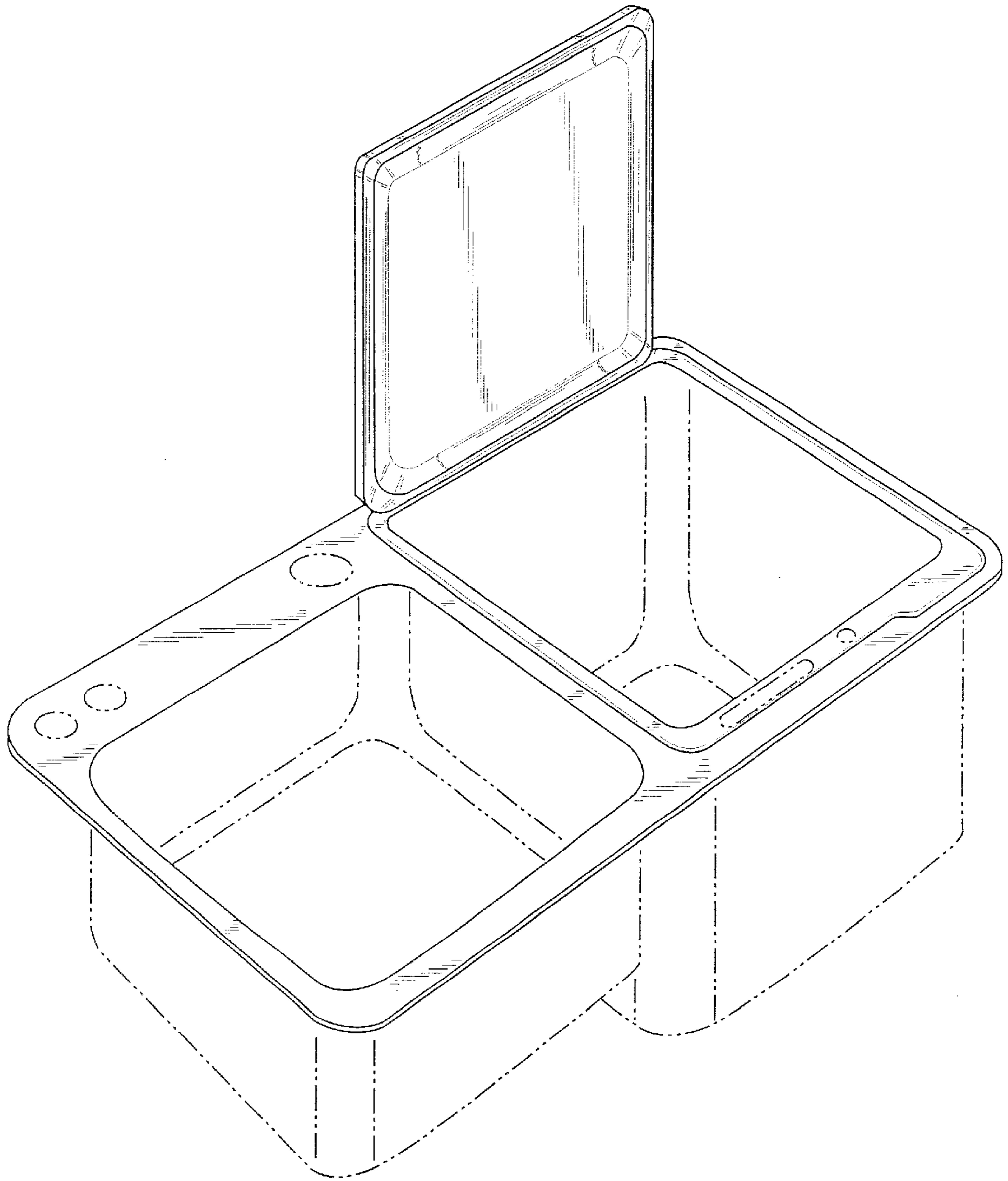


Fig. 3

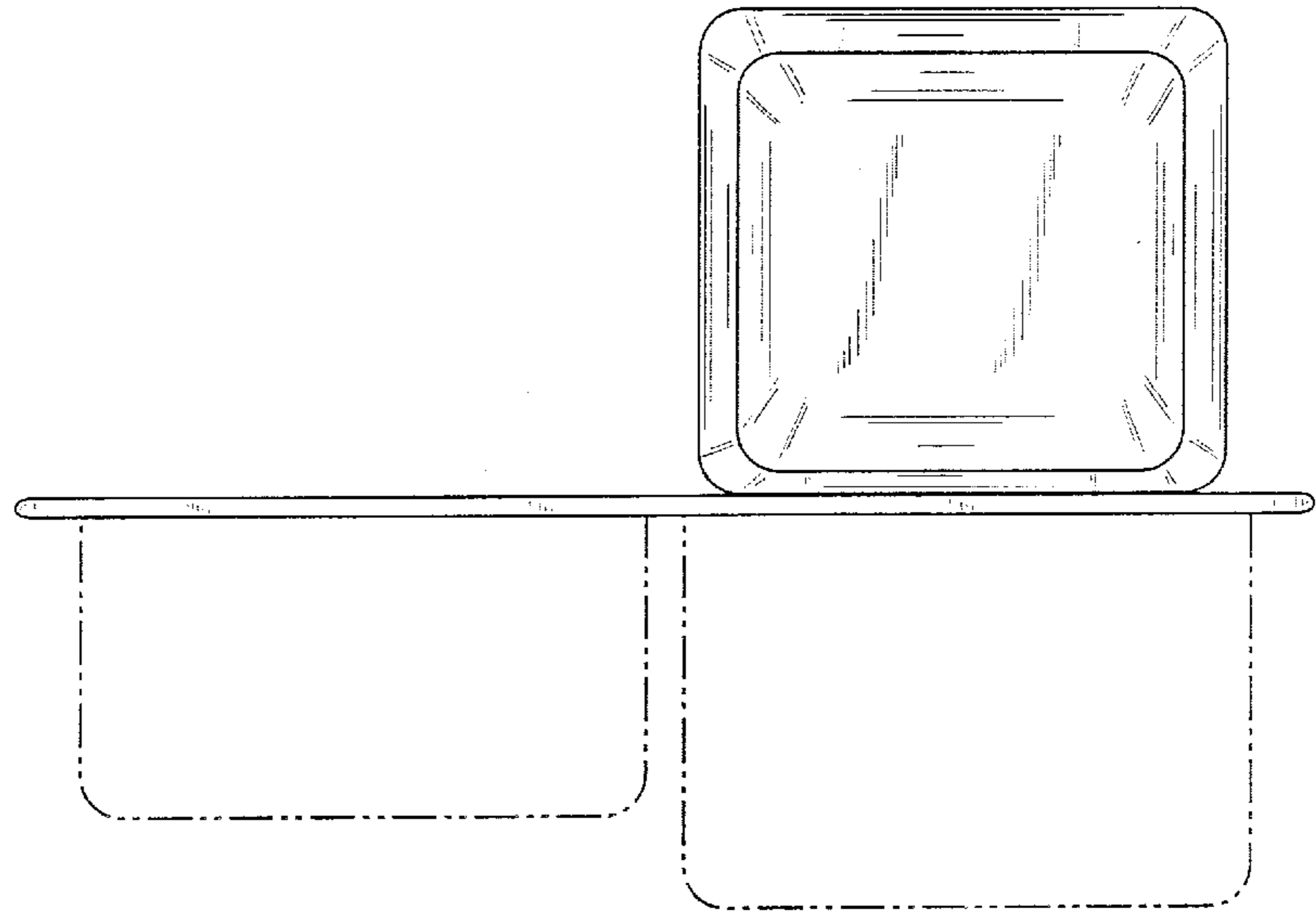


Fig. 4

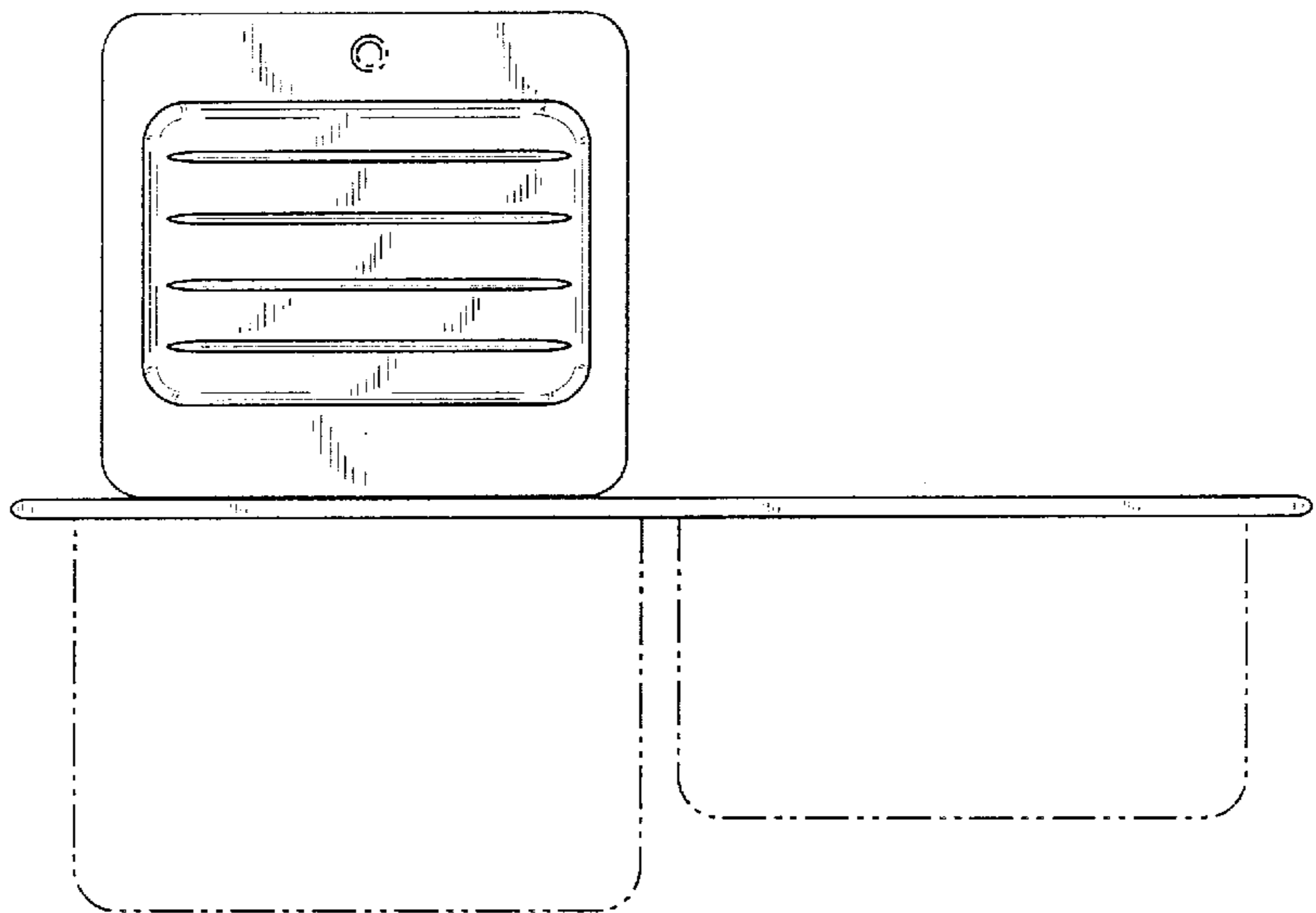


Fig. 5