



US00D483530S

(12) **United States Design Patent**  
**Bruns**

(10) **Patent No.:** **US D483,530 S**

(45) **Date of Patent:** **\*\* Dec. 9, 2003**

(54) **HORSE SHOE**

5,699,861 A 12/1997 Sigafos

(75) Inventor: **Steven A. Bruns**, Hutchinson, MN  
(US)

\* cited by examiner

*Primary Examiner*—Pamela Burgess

(73) Assignee: **Pride Solutions, LLC**, Hutchinson, MN  
(US)

(57) **CLAIM**

The ornamental design of a horse shoe, as shown and described.

(\*\*) Term: **14 Years**

**DESCRIPTION**

(21) Appl. No.: **29/160,401**

(22) Filed: **May 10, 2002**

(51) **LOC (7) Cl.** ..... **30-01**

(52) **U.S. Cl.** ..... **D30/148; 168/4**

(58) **Field of Search** ..... **D30/146-148;**  
**D21/387; 168/4, 24, 6**

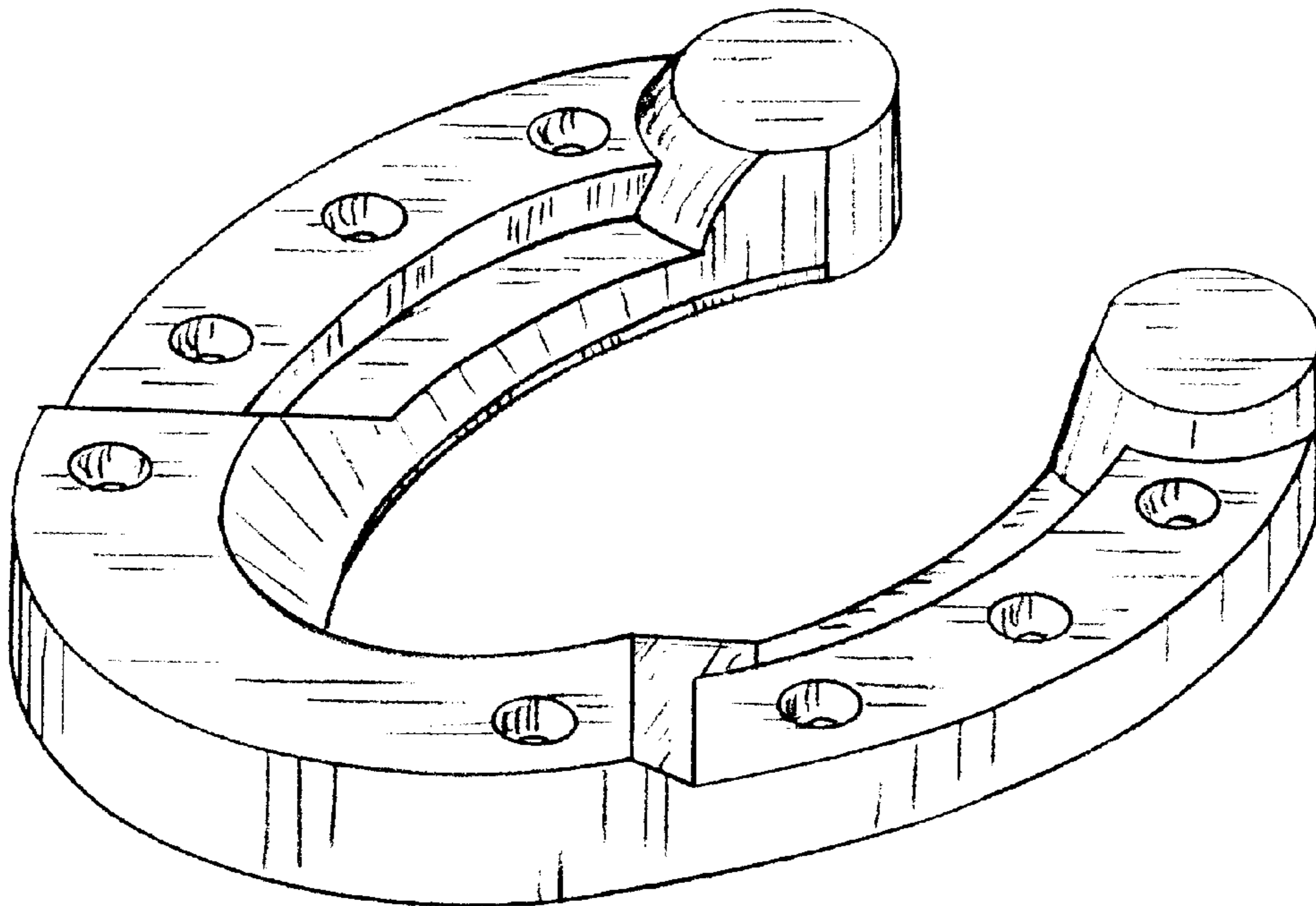
FIG. 1 is a perspective view of horse shoe of our new design;  
FIG. 2 is a top plan view thereof;  
FIG. 3 is a bottom plan view thereof;  
FIG. 4 is a side elevational view thereof, the opposite side view being a mirror image thereof;  
FIG. 5 is a front elevational view thereof;  
FIG. 6 is a rear elevational view thereof;  
FIG. 7 is an enlarged sectional view taken along the line 7-7 of FIG. 2;  
FIG. 8 is an enlarged sectional view taken along the line 8-8 of FIG. 2;  
FIG. 9 is a perspective view of a second embodiment of a horse shoe showing my new design;  
FIG. 10 is a top plan view of FIG. 9;  
FIG. 11 is a bottom plan view of FIG. 9;  
FIG. 12 is a side elevational view of FIG. 9, the opposite side view being a mirror image thereof;  
FIG. 13 is a front elevational view of FIG. 9;  
FIG. 14 is a rear elevational view of FIG. 9;  
FIG. 15 is an enlarged sectional view taken along the line 15-15 of FIG. 10; and,  
FIG. 16 is an enlarged sectional view taken along the line 16-16 of FIG. 10.

(56) **References Cited**

**U.S. PATENT DOCUMENTS**

D29,938 S	*	1/1899	Paar	.....	D30/147
740,665 A		10/1903	Larsen		
1,282,846 A	*	10/1918	Johnson	.....	168/31
2,705,536 A		4/1955	Phreaner		
3,311,174 A	*	3/1967	Castillo	.....	168/24
3,469,631 A		9/1969	Becker		
3,513,915 A		5/1970	Sherman		
3,519,079 A		7/1970	Bieber		
4,496,002 A		1/1985	Jones et al.		
4,823,883 A		4/1989	Colonel et al.		
D306,922 S	*	3/1990	Anderson	.....	D30/148
4,957,168 A		9/1990	Battista		
5,222,561 A		6/1993	Fisher et al.		
5,421,415 A	*	6/1995	Wells	.....	168/4
5,505,264 A		4/1996	Morris et al.		
5,638,905 A		6/1997	Sigafos et al.		

**1 Claim, 4 Drawing Sheets**



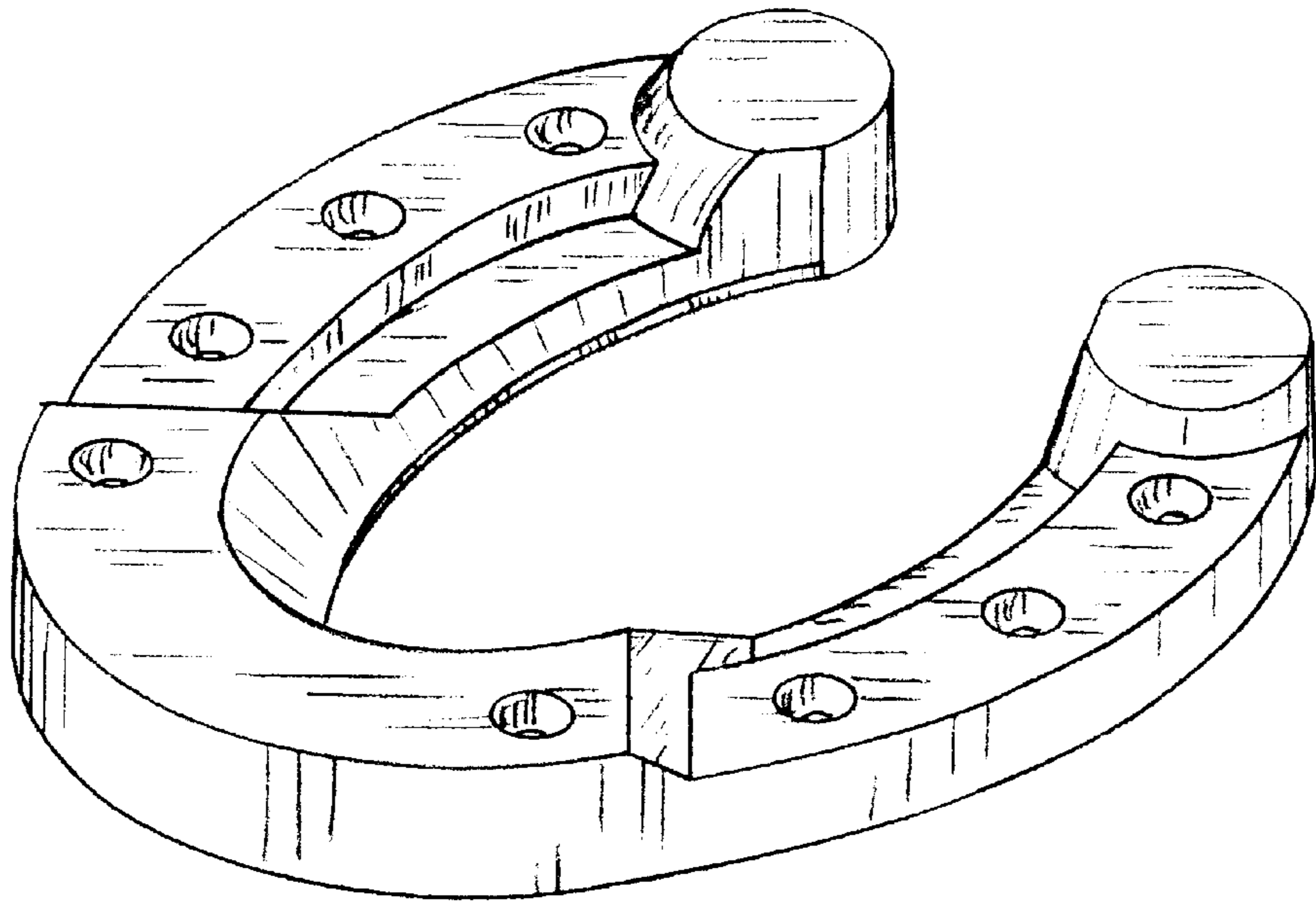


FIG. 1

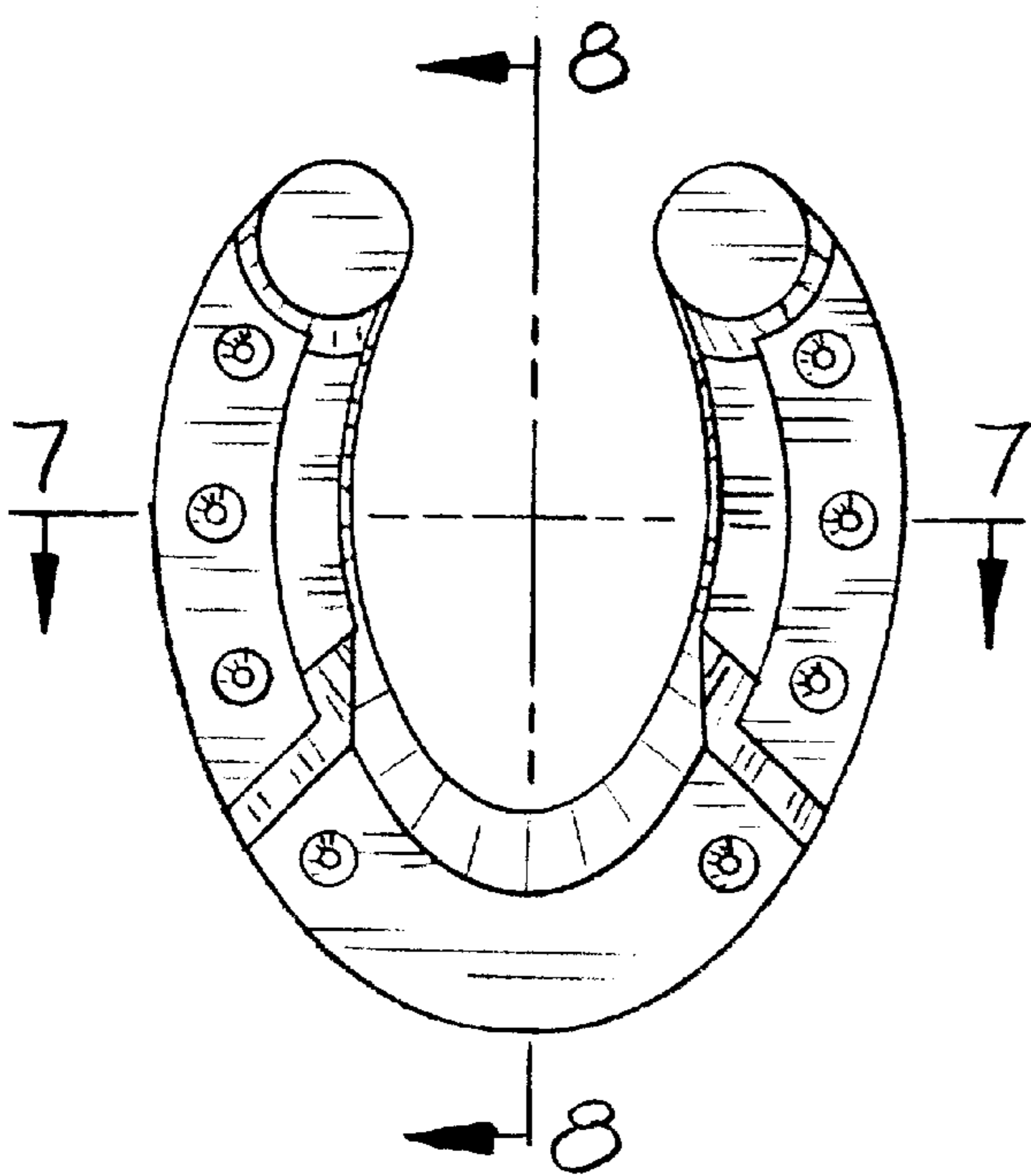


FIG. 2

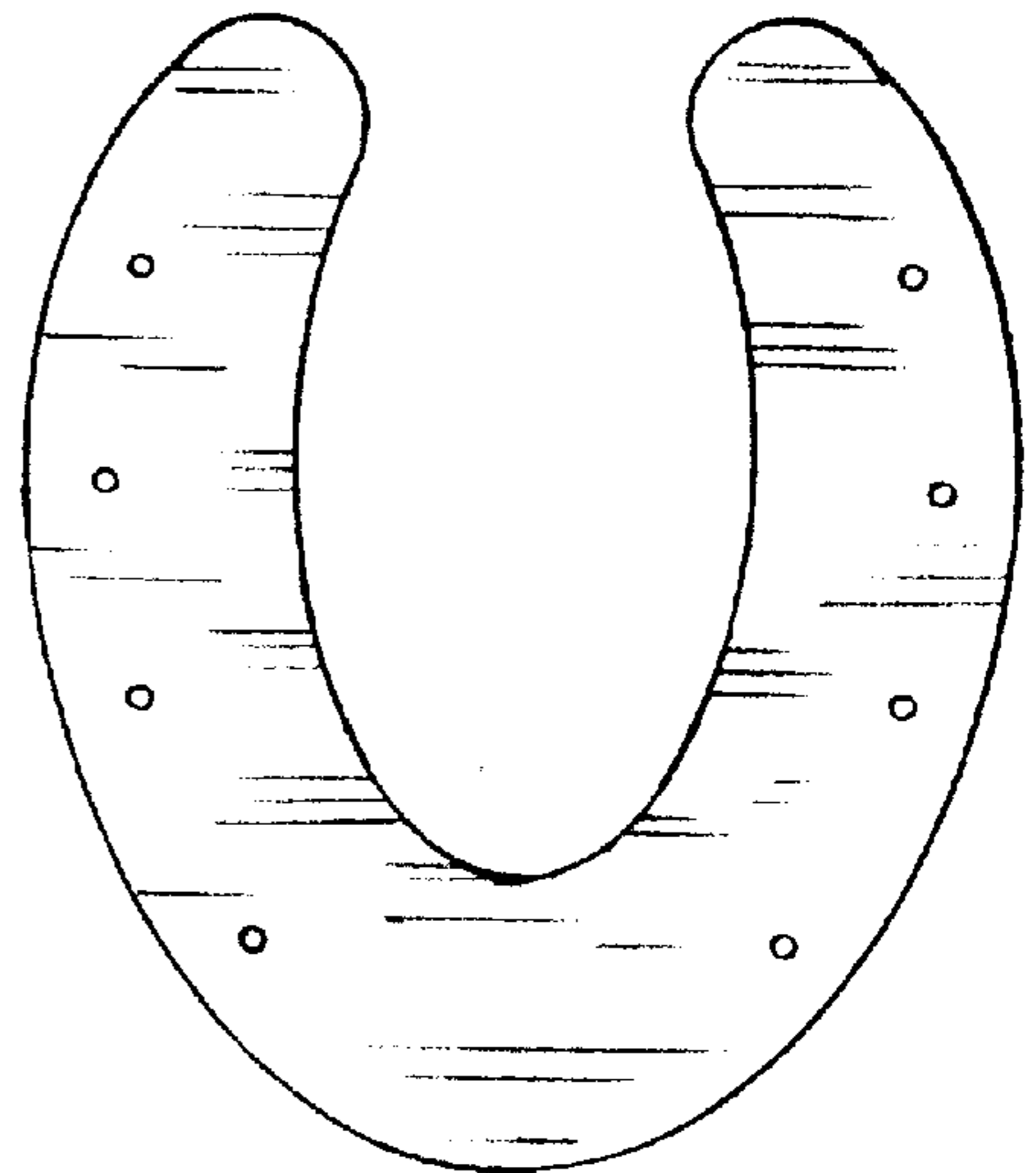


FIG. 3



FIG. 4



FIG. 5



FIG. 6



FIG. 7



FIG. 8

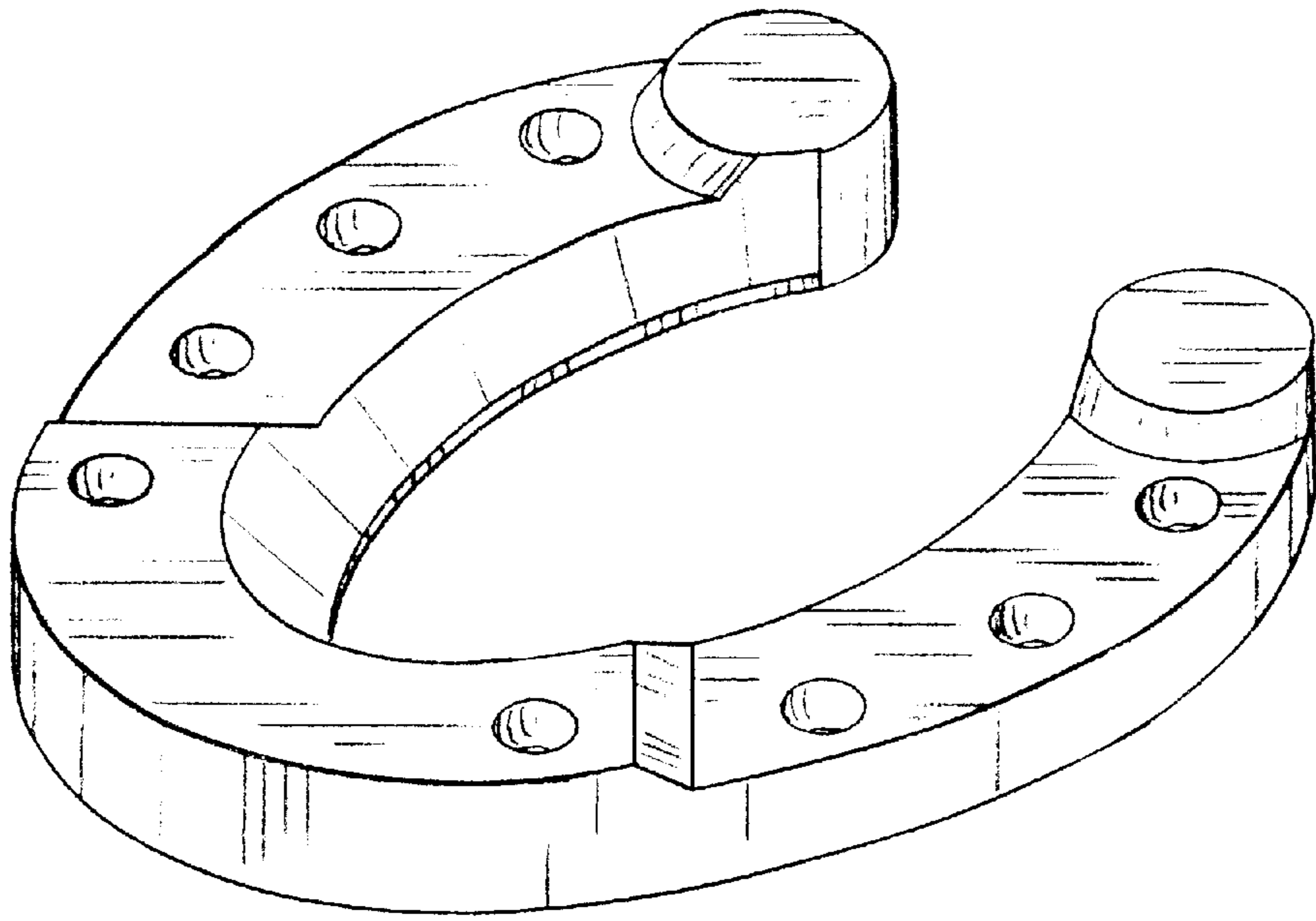


FIG. 9

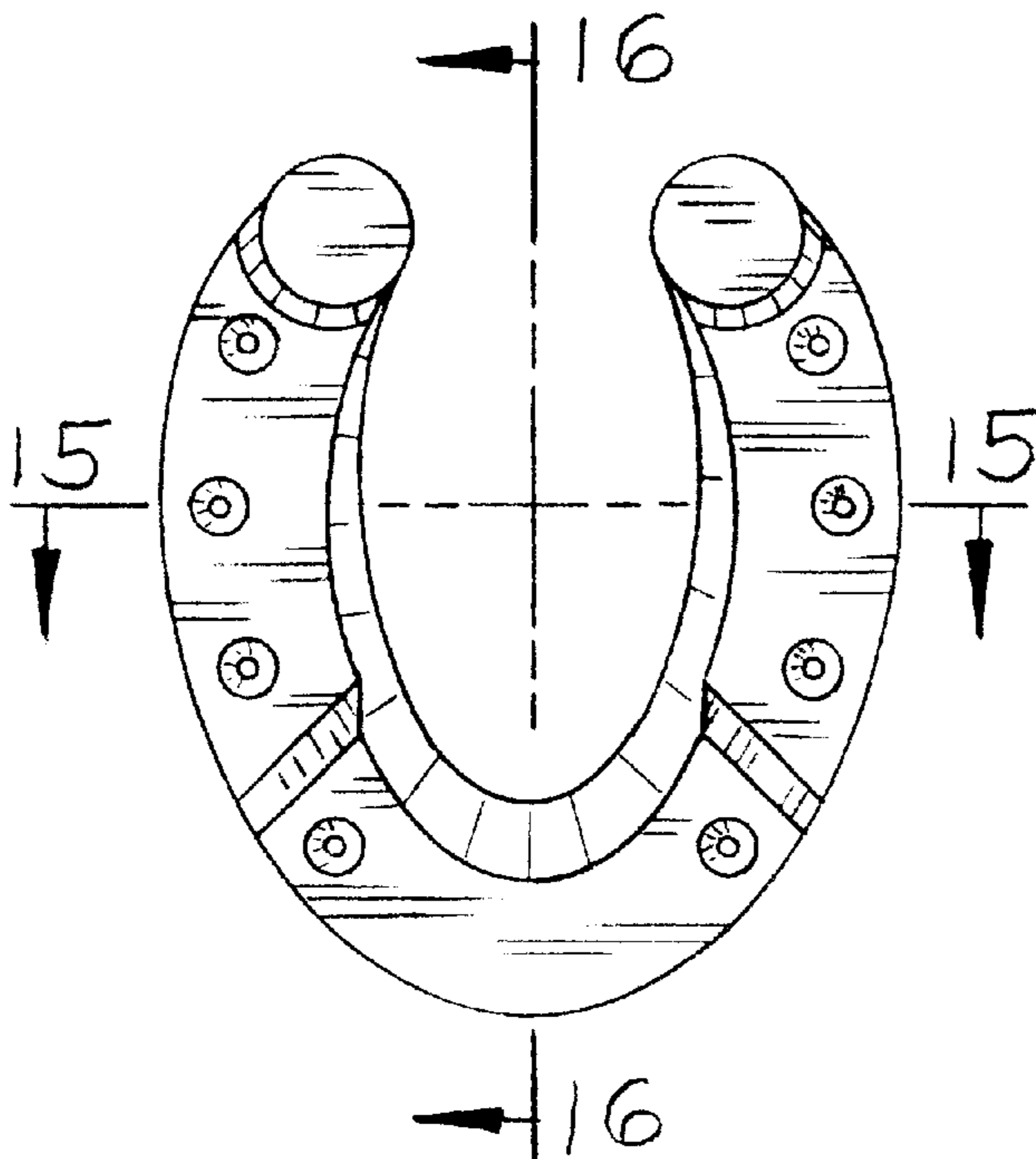


FIG. 10

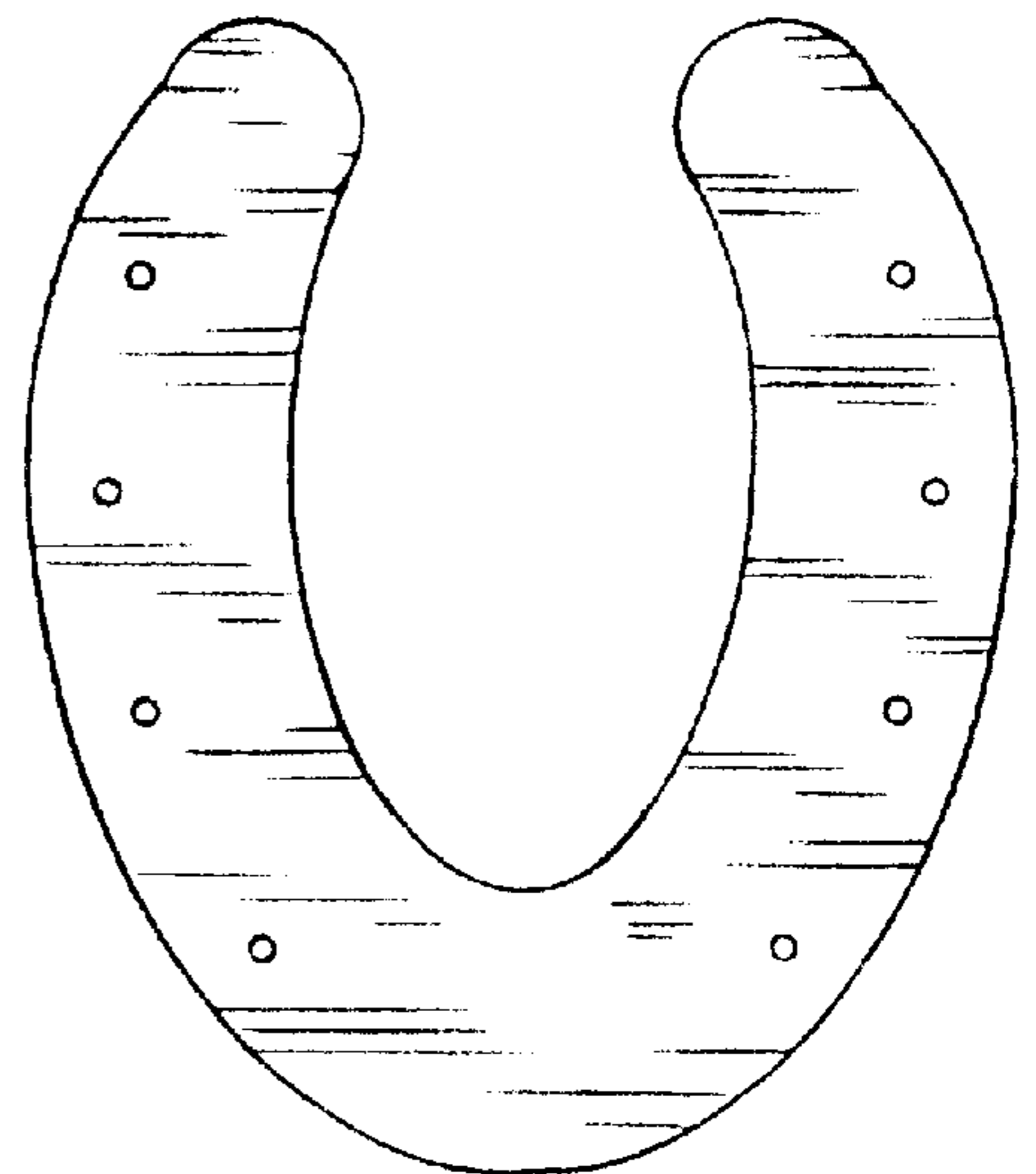


FIG. 11



FIG. 12

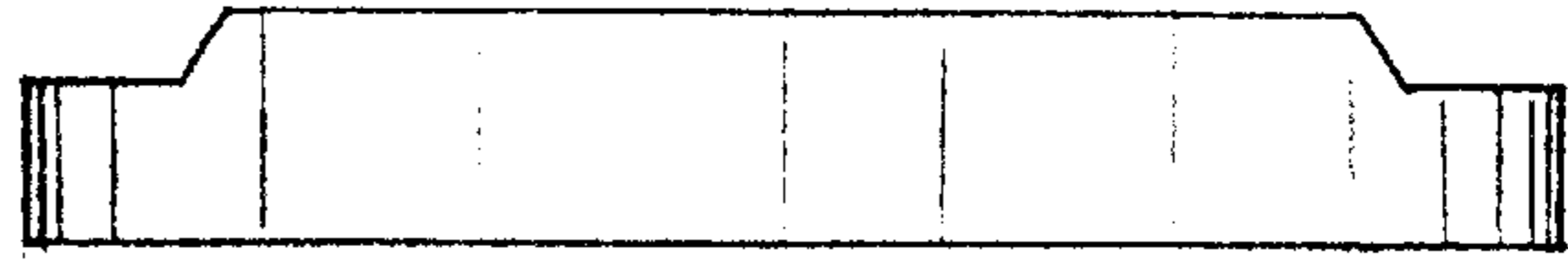


FIG. 13



FIG. 14

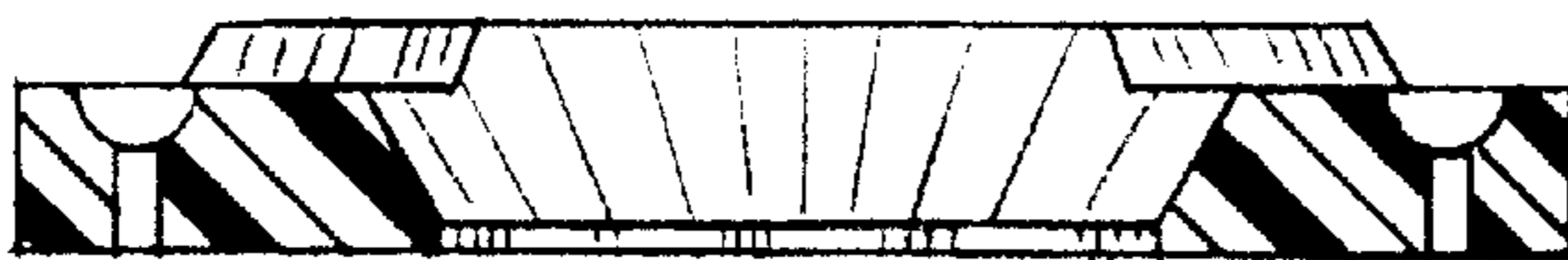


FIG. 15

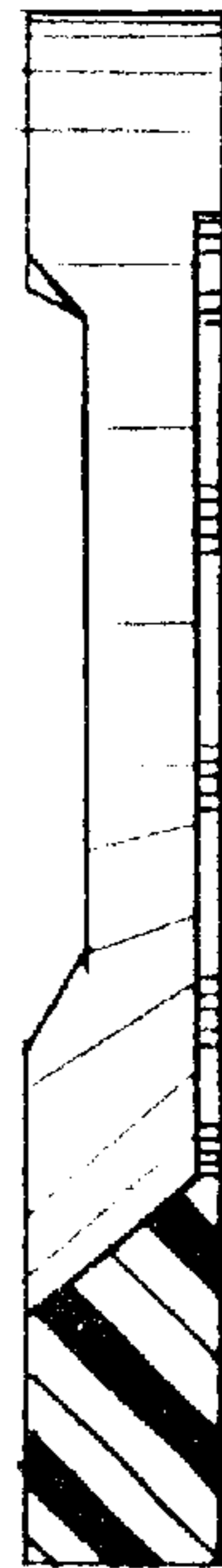


FIG. 16