



US00D483529S

(12) **United States Design Patent**
Fort, II

(10) **Patent No.:** **US D483,529 S**

(45) **Date of Patent:** **** Dec. 9, 2003**

(54) **BIRD FEEDER**

(75) Inventor: **W. Grady Fort, II**, Mason, TX (US)

(73) Assignee: **Daisy Manufacturing Co.**, Rogers, AR (US)

(**) Term: **14 Years**

(21) Appl. No.: **29/173,994**

(22) Filed: **Jan. 10, 2003**

(51) **LOC (7) Cl.** **30-03**

(52) **U.S. Cl.** **D30/124**; D30/128; 119/51.01

(58) **Field of Search** D30/124-128;
119/428, 429, 459, 468, 72, 57.8, 57.9,
52.2, 52.3, 52.4, 51.01

(56) **References Cited**

U.S. PATENT DOCUMENTS

D349,981 S * 8/1994 Fasino D30/127
5,947,054 A * 9/1999 Liethen 119/57.9

* cited by examiner

Primary Examiner—Pamela Burgess

(74) *Attorney, Agent, or Firm*—Shaw Pittman LLP

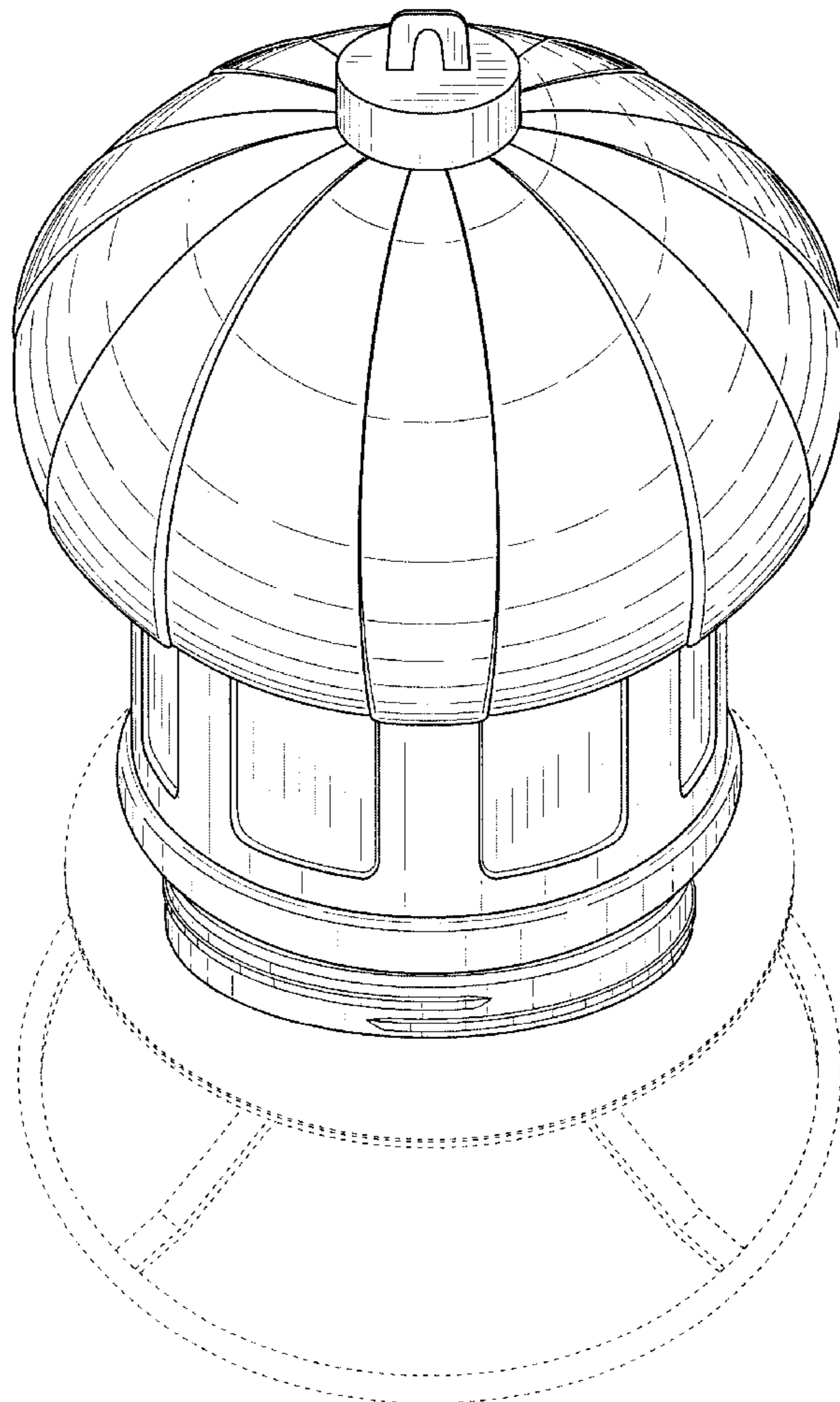
(57) **CLAIM**

The ornamental design for a bird feeder, as shown and described.

DESCRIPTION

FIG. 1 is a perspective view of a first embodiment of the bird feeder showing the design;
FIG. 2 is a side view of the first embodiment thereof;
FIG. 3 is a top view of the first embodiment thereof;
FIG. 4 is a bottom view of the first embodiment thereof;
FIG. 5 is a perspective view of a second embodiment of the bird feeder showing the design having a translucent appearance;
FIG. 6 is a side view of the second embodiment thereof;
FIG. 7 is a top view of the second embodiment thereof; and,
FIG. 8 is a bottom view of the second embodiment thereof.
The broken lines shown in FIGS. 1 and 5 are for illustrative purposes only and form no part of the claimed design.

1 Claim, 8 Drawing Sheets



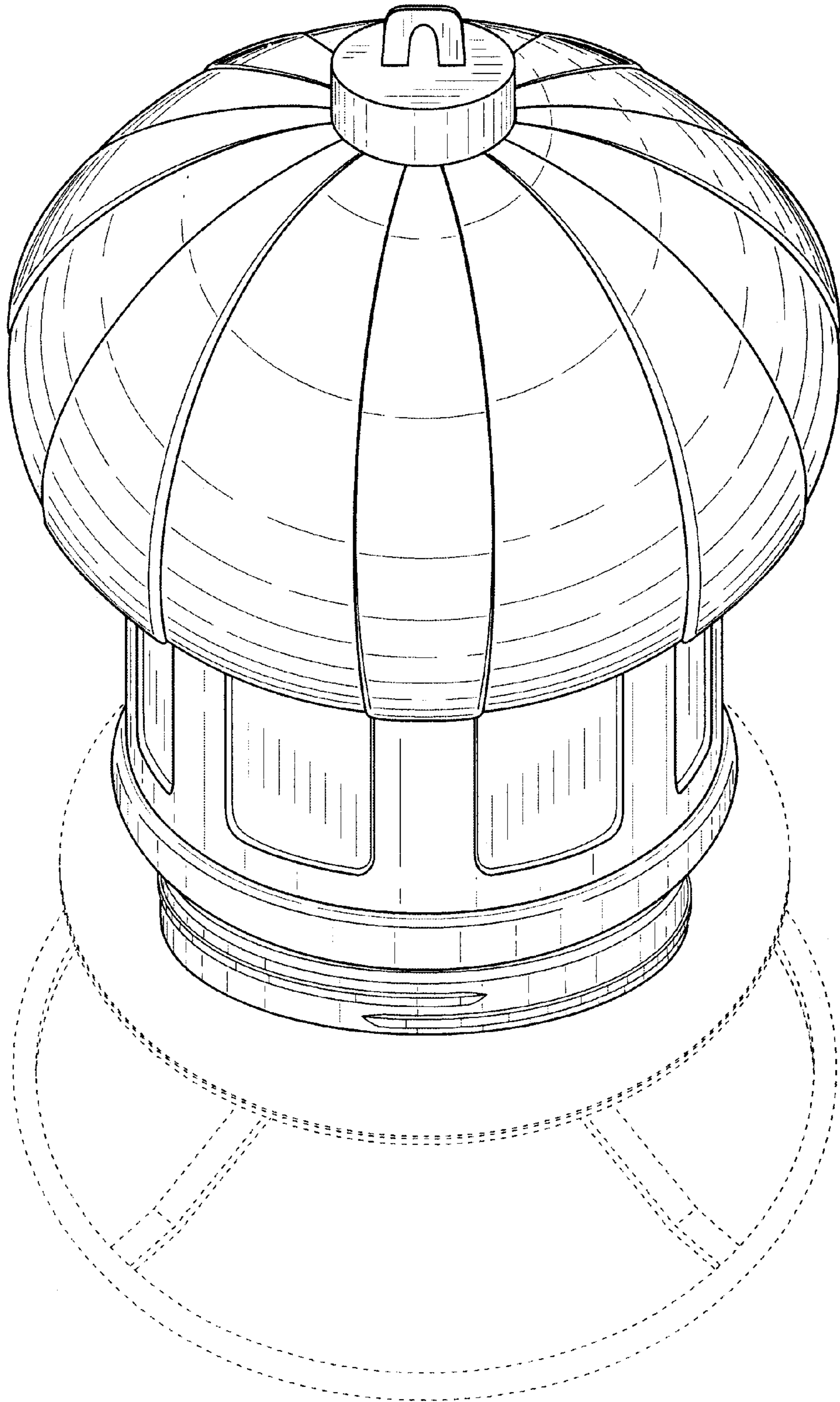


FIG. 1

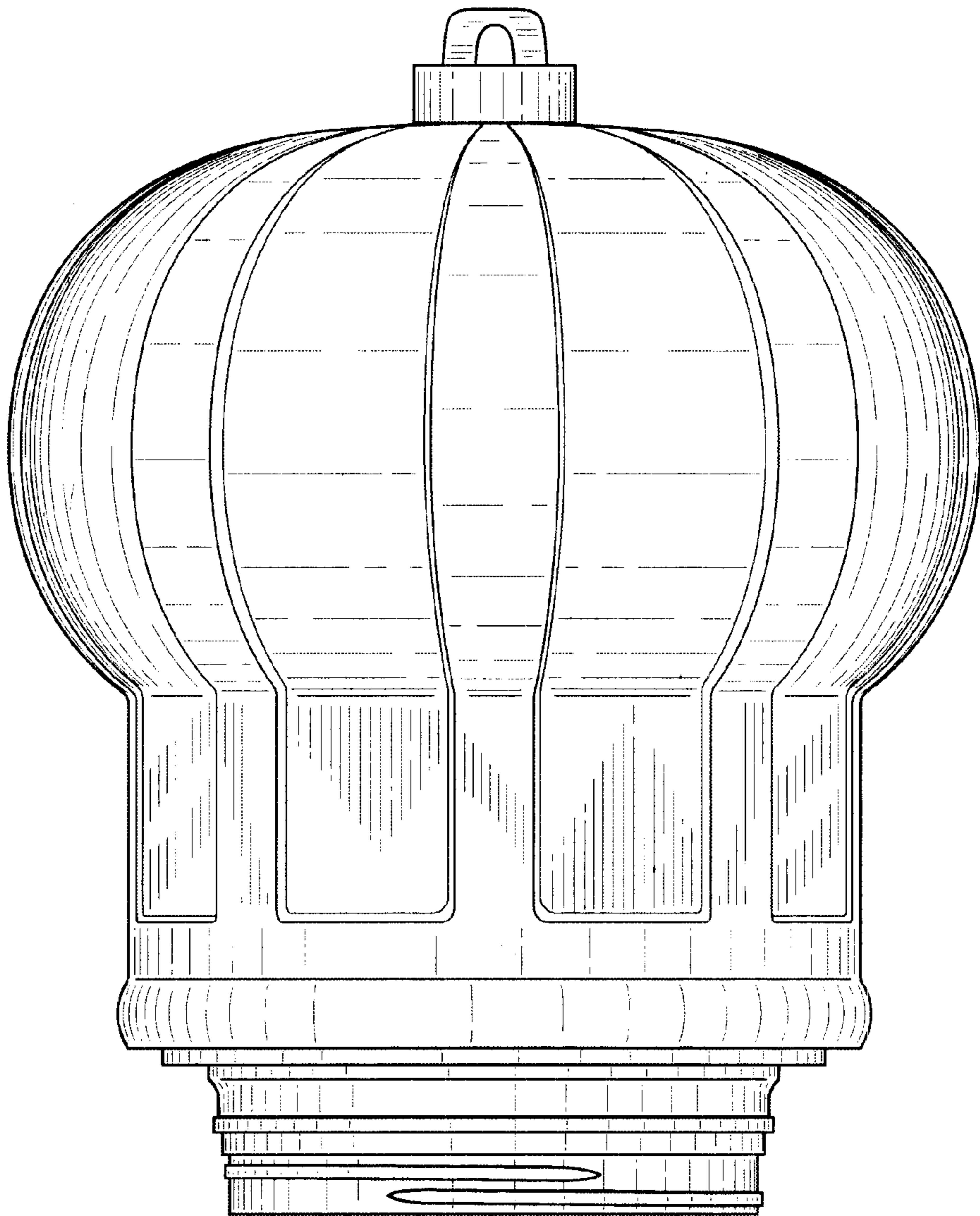


FIG. 2

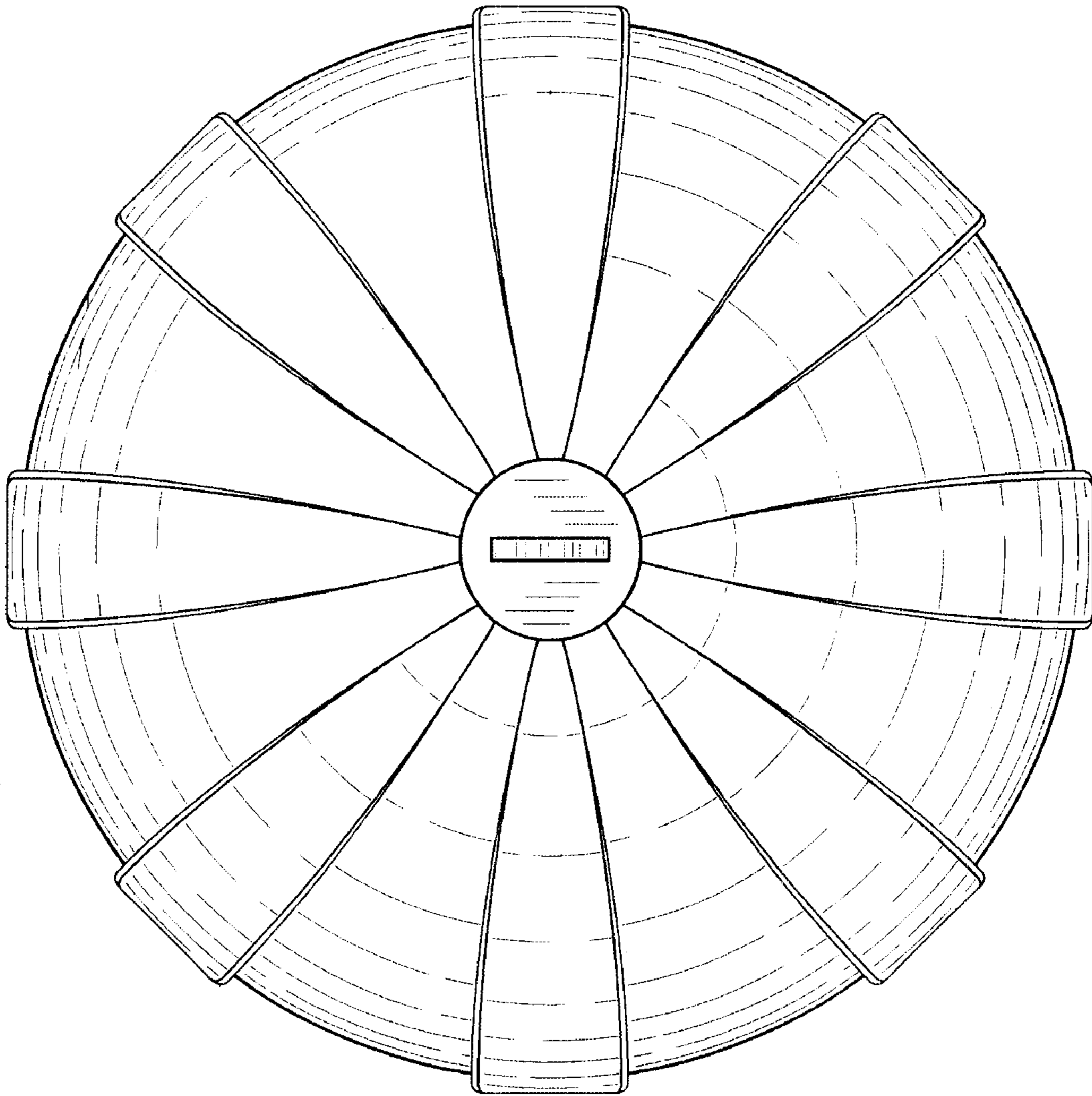


FIG. 3

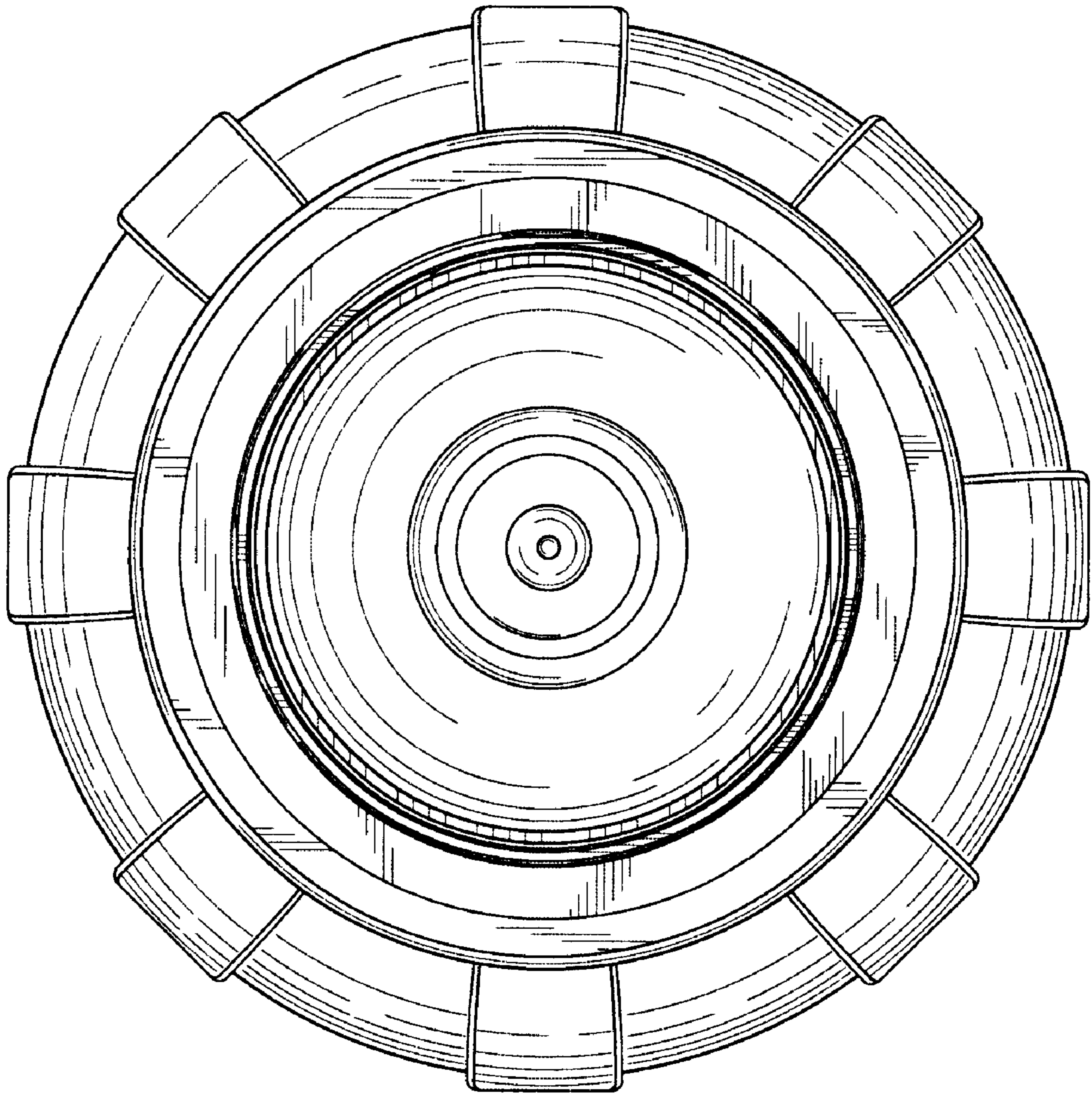


FIG. 4

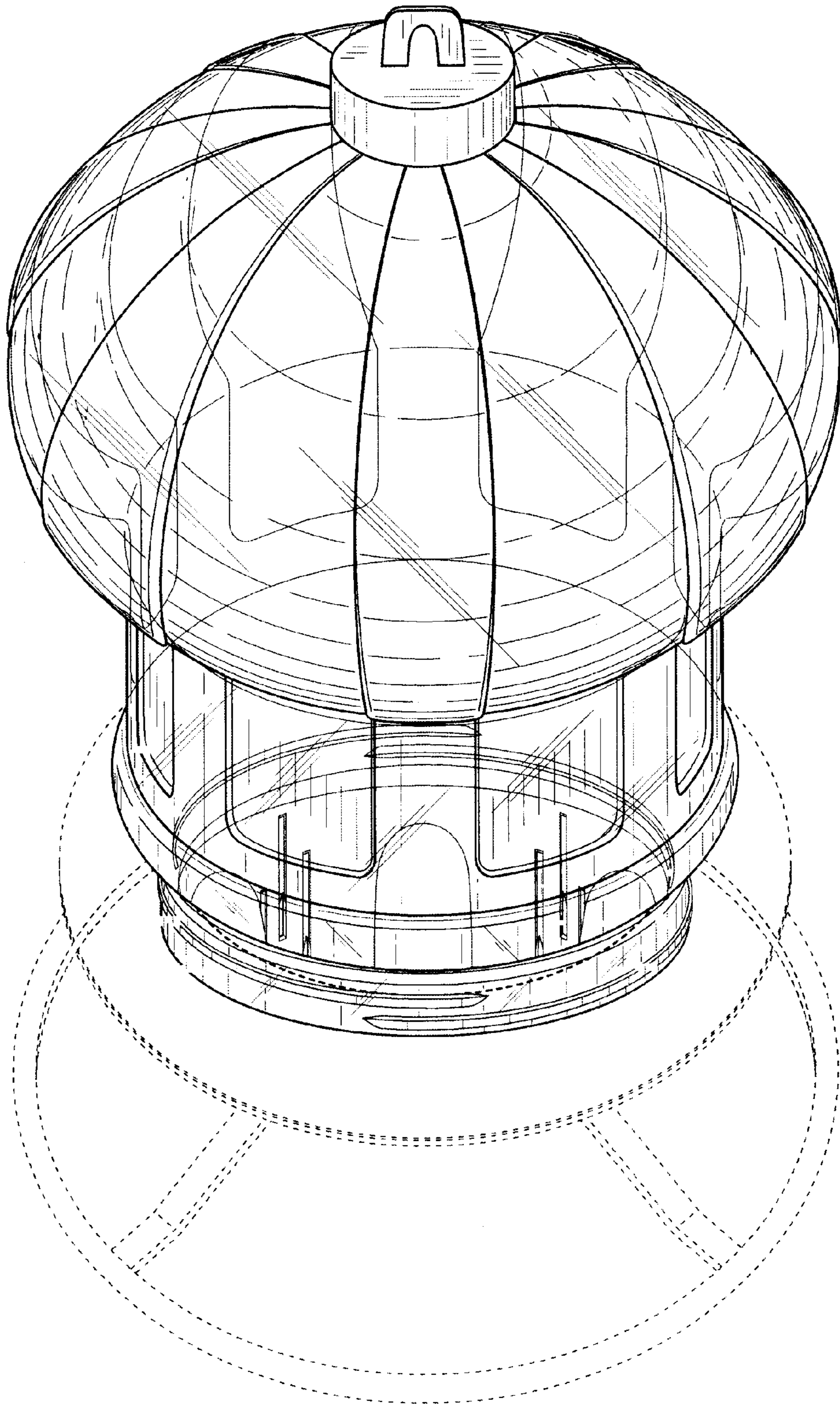


FIG. 5

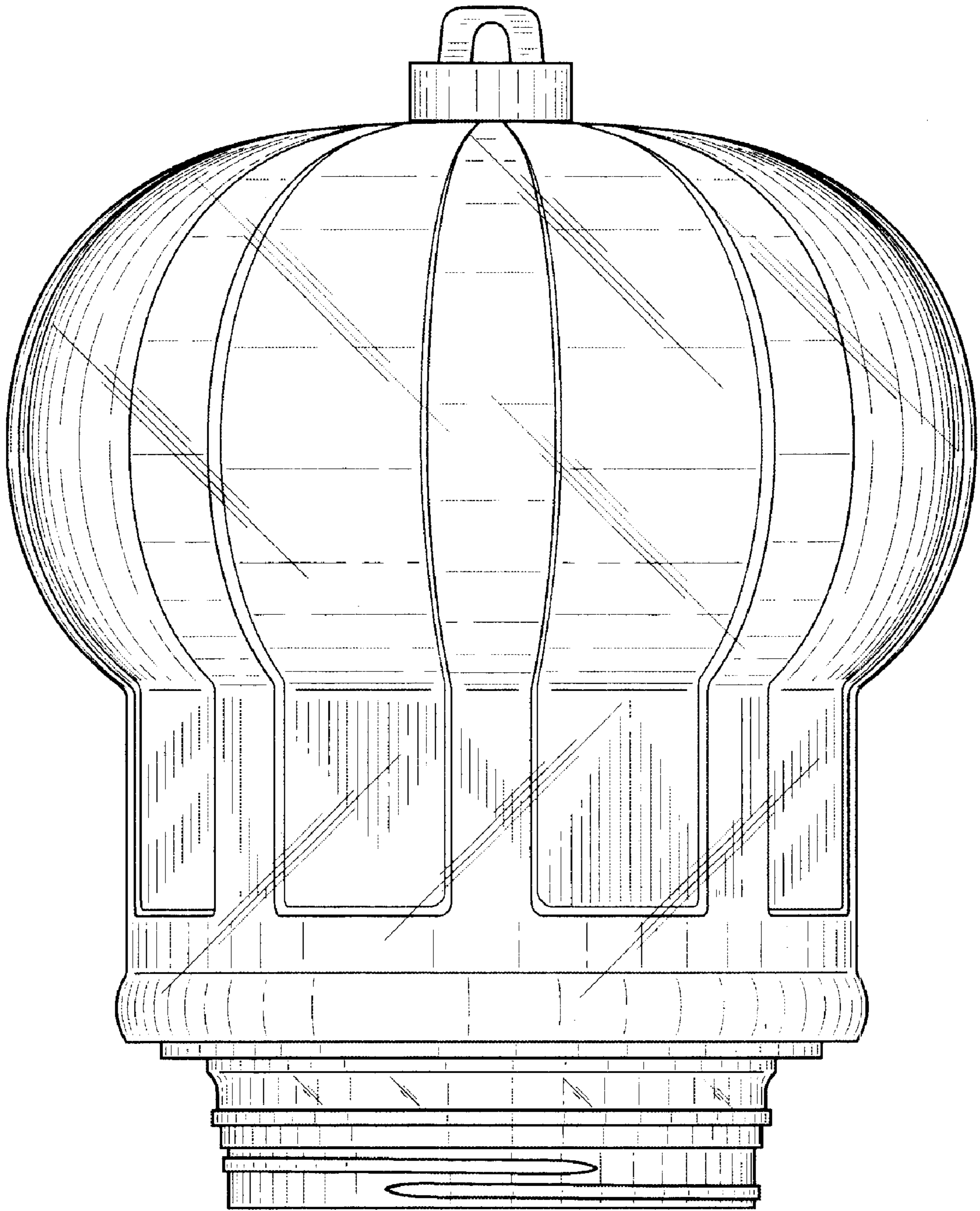


FIG. 6

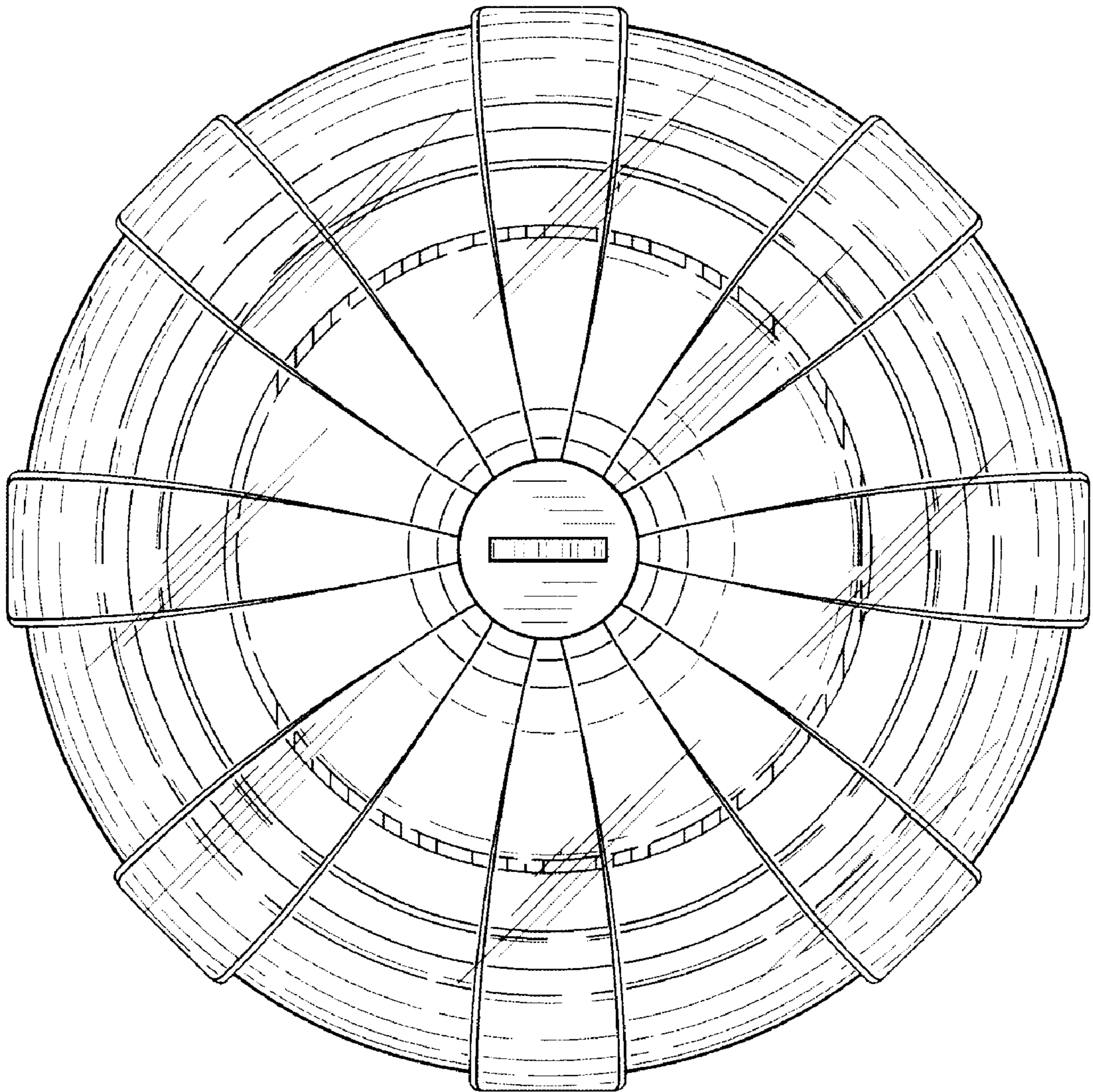


FIG. 7

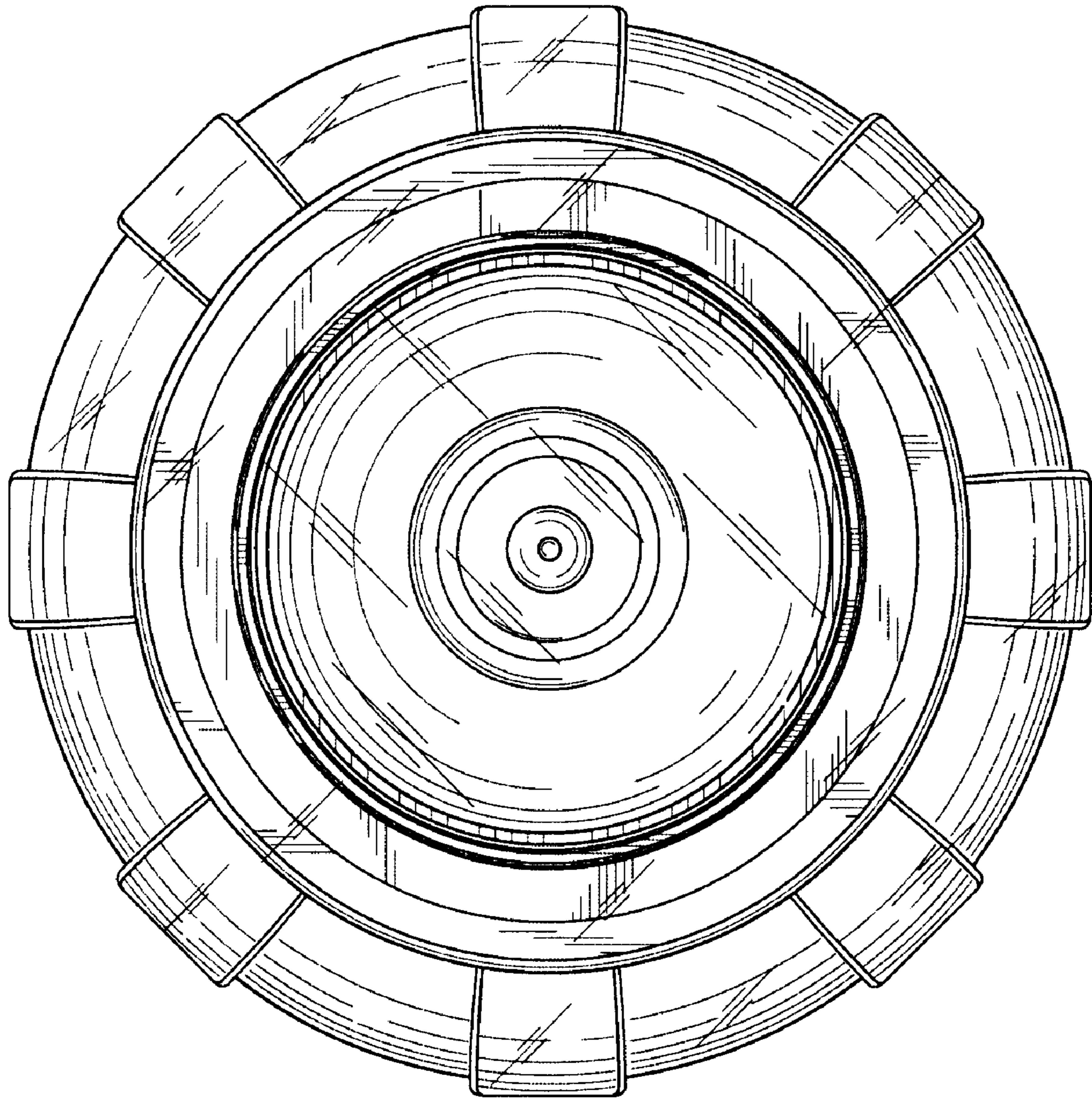


FIG. 8