



US00D483527S

(12) **United States Design Patent**
Ashiwa et al.

(10) **Patent No.:** **US D483,527 S**

(45) **Date of Patent:** **** Dec. 9, 2003**

(54) **COSMETIC CONTAINER**

(75) Inventors: **Akiko Ashiwa**, Iwaya-Kita-machi (JP);
Masumi Yoshida, Nishinomiya Hyogo
(JP); **Kenji Tanihata**, Kobe Hyogo
(JP); **Masataka Sugita**, Toyonaka
Osaka (JP); **Teruhisa Hirano**, Kobe
Hyogo (JP); **Satoshi Yamane**, Ashiya
Hyogo (JP)

(73) Assignee: **The Procter & Gamble Company**,
Cincinnati, OH (US)

(**) Term: **14 Years**

(21) Appl. No.: **29/172,413**

(22) Filed: **Dec. 11, 2002**

(30) **Foreign Application Priority Data**

Jun. 28, 2002 (GB) 3004839

(51) **LOC (7) Cl.** **28-03**

(52) **U.S. Cl.** **D28/91; D28/82**

(58) **Field of Search** **D28/91, 82**

(56) **References Cited**

U.S. PATENT DOCUMENTS

D124,321 S * 12/1940 McIntosh D28/82

D373,890 S * 9/1996 Hiro et al. D28/78

D473,345 S * 4/2003 Thorpe D28/82

* cited by examiner

Primary Examiner—Jennifer Rivard
(74) *Attorney, Agent, or Firm*—John M. Howell; Eileen L.
Hughett; Tara M. Rosnell

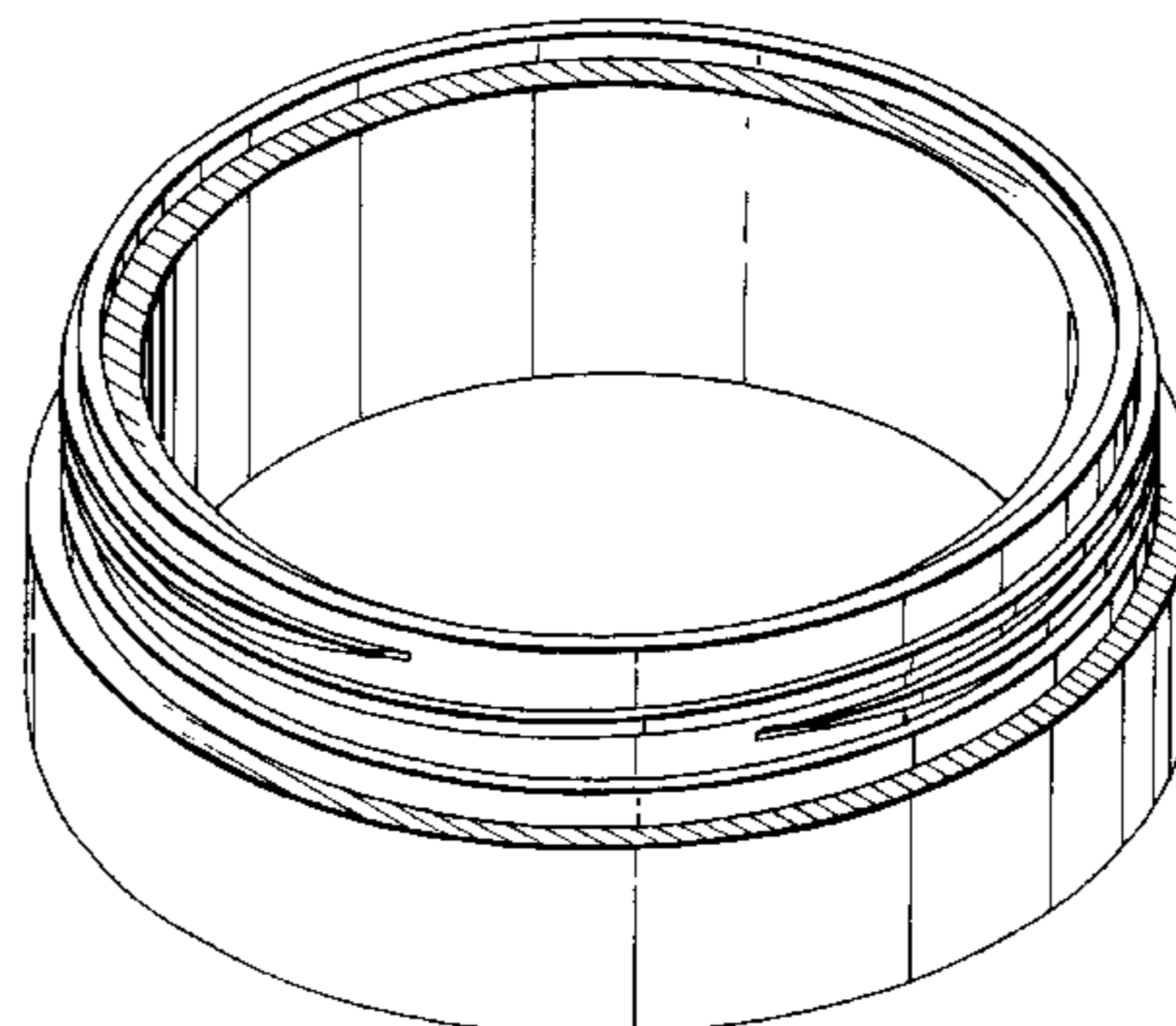
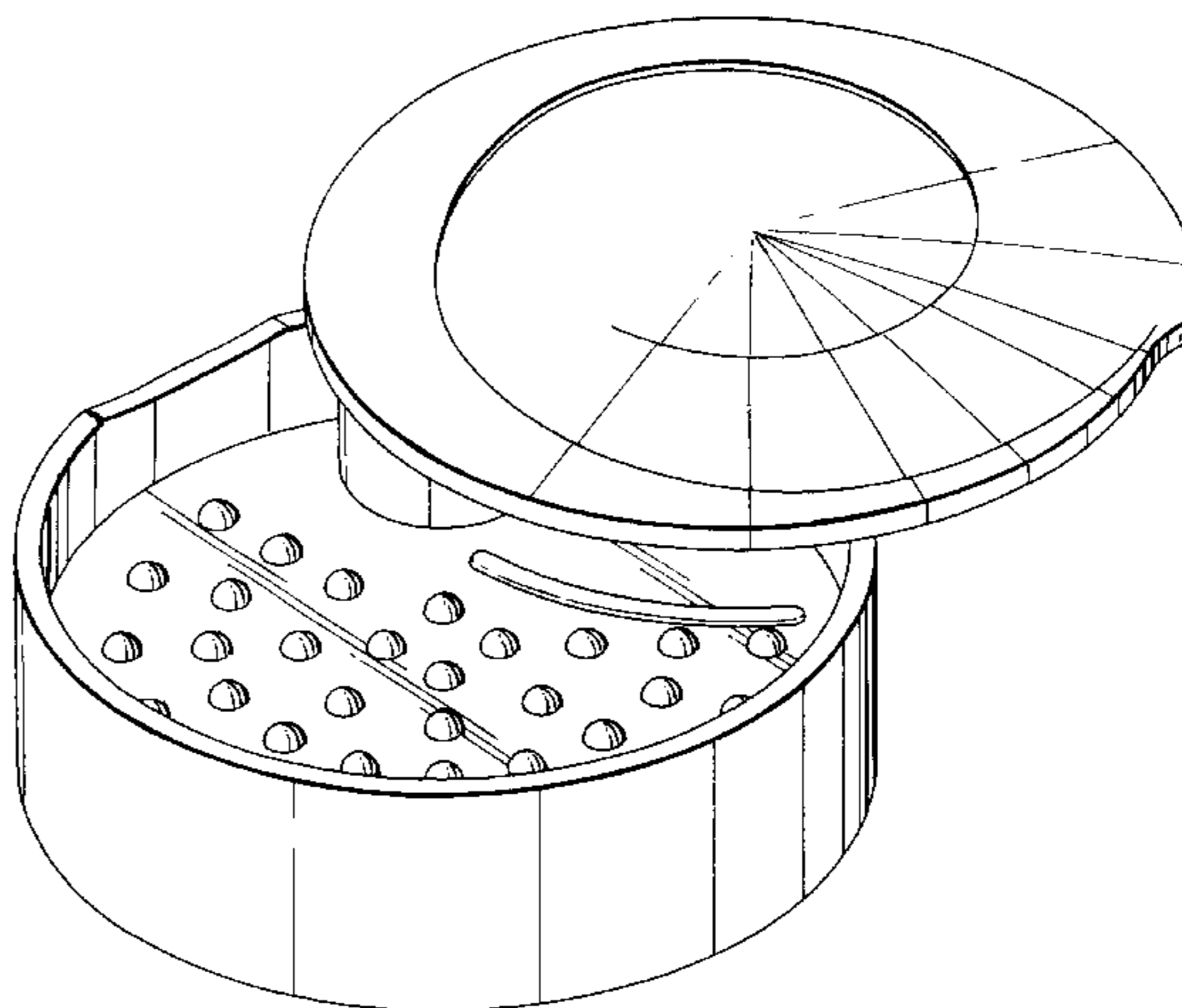
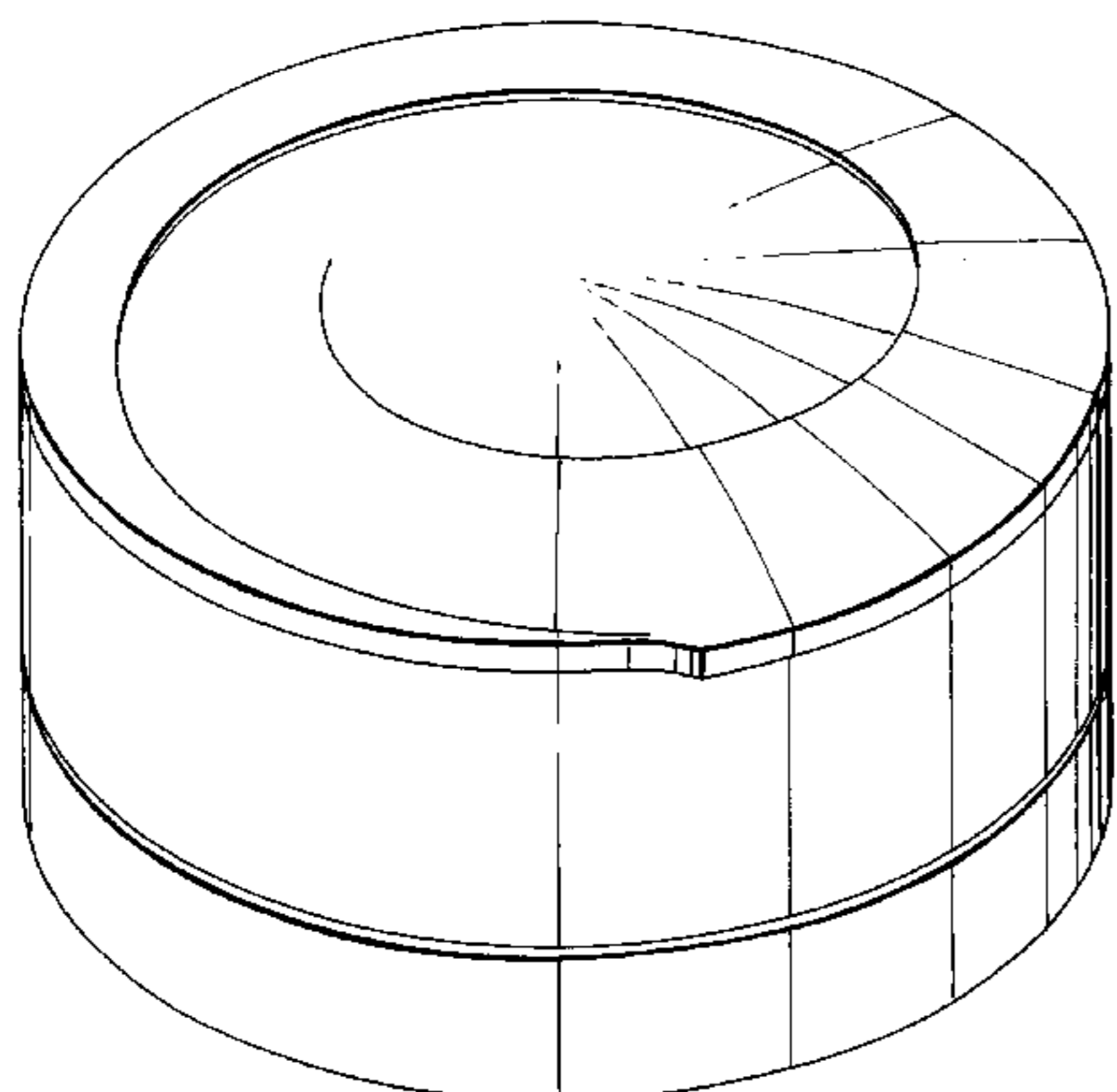
(57) **CLAIM**

The ornamental design for a cosmetic container, as shown
and described.

DESCRIPTION

FIG. 1 is a perspective view of the container embodying our
new design;
FIG. 2 is a front view thereof;
FIG. 3 is a back view thereof;
FIG. 4 is a left side view thereof;
FIG. 5 is a right side view thereof;
FIG. 6 is a top plan view thereof;
FIG. 7 is a bottom view thereof;
FIG. 8 is a cross sectional view taken along 8—8 of FIG. 2;
FIG. 9 is a reference view having a top surface in an open
position; and,
FIG. 10 is an exploded view of the container embodying our
new design.

1 Claim, 7 Drawing Sheets



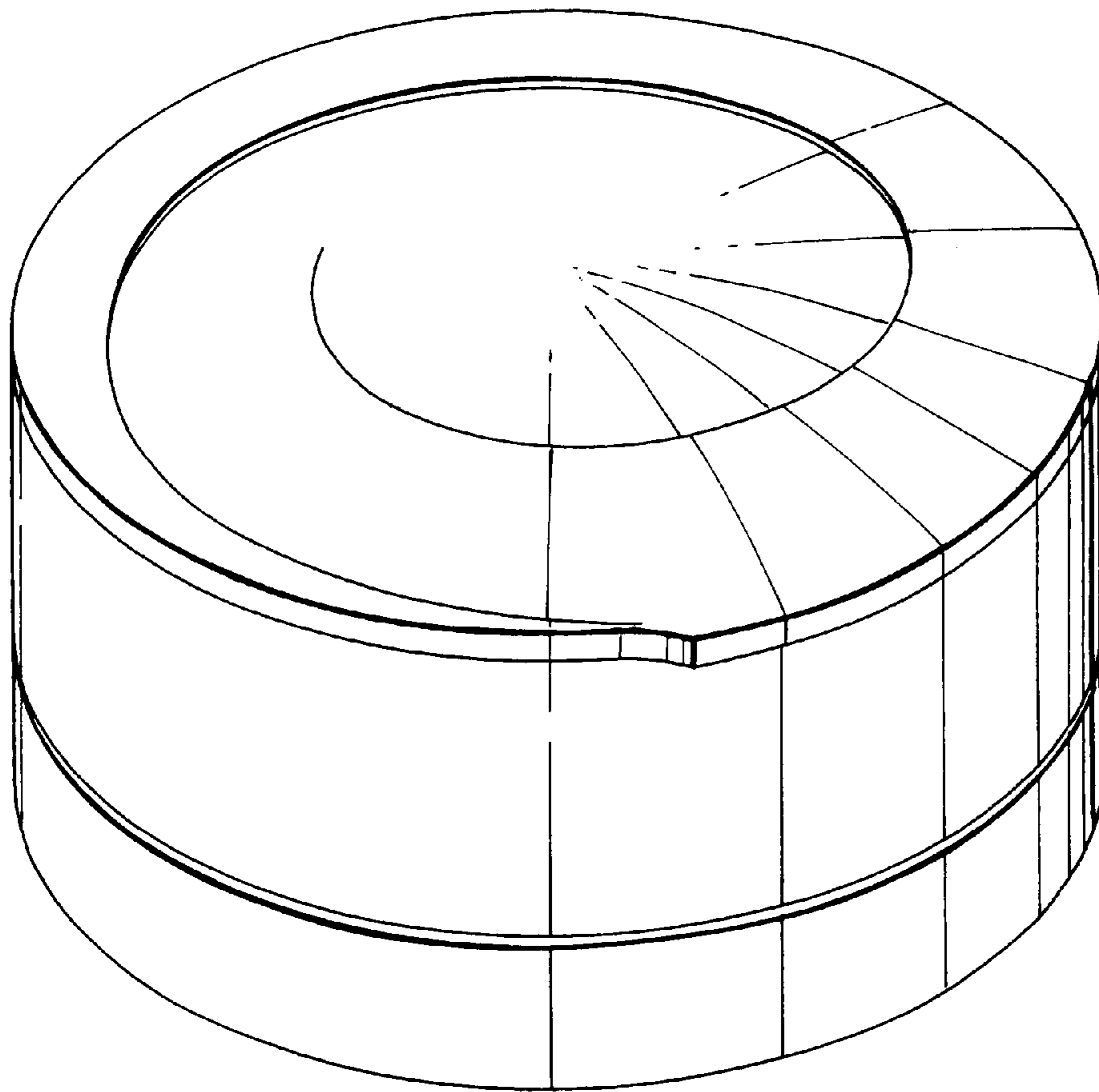


Fig. 1.

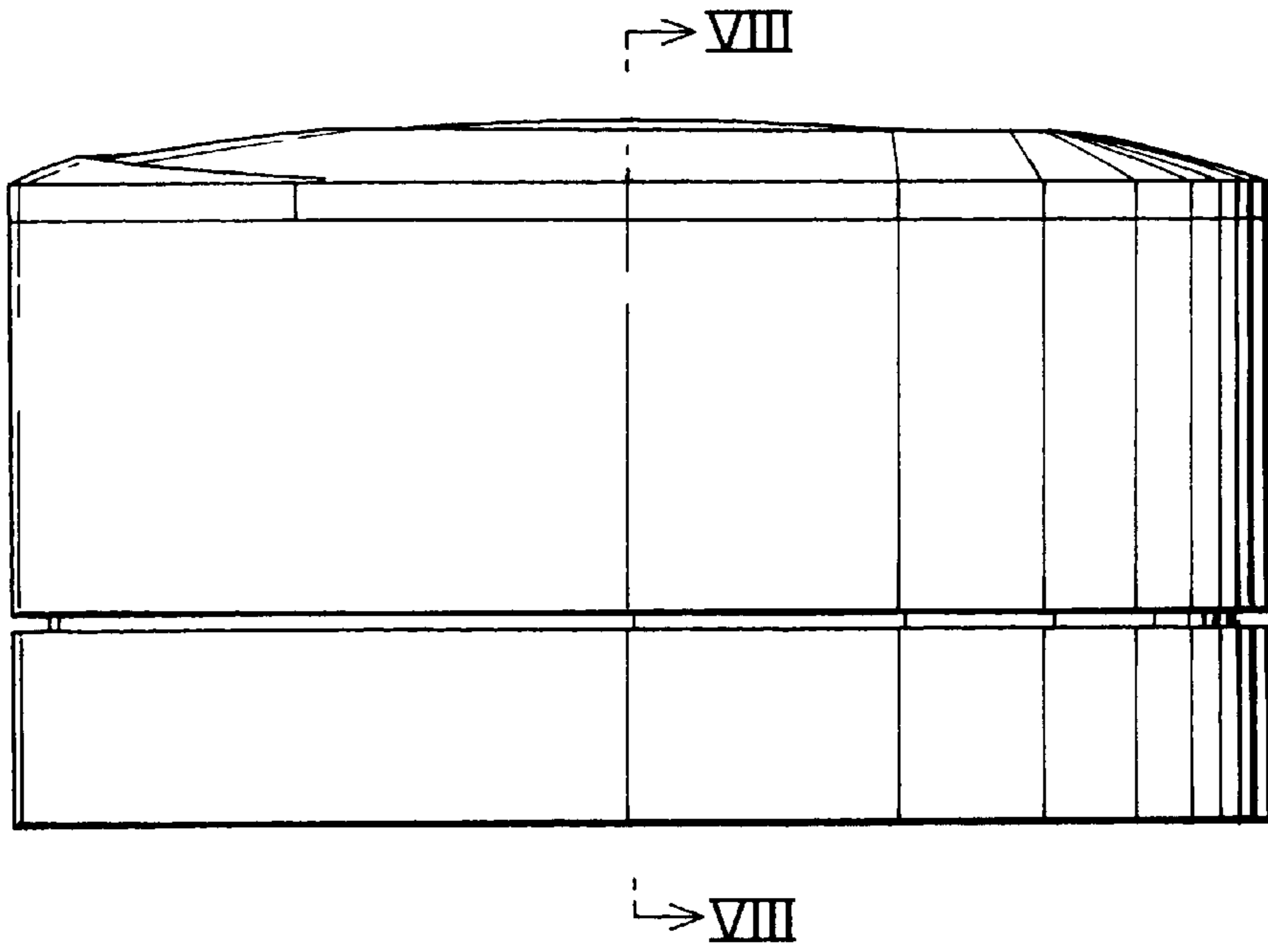


Fig.2.

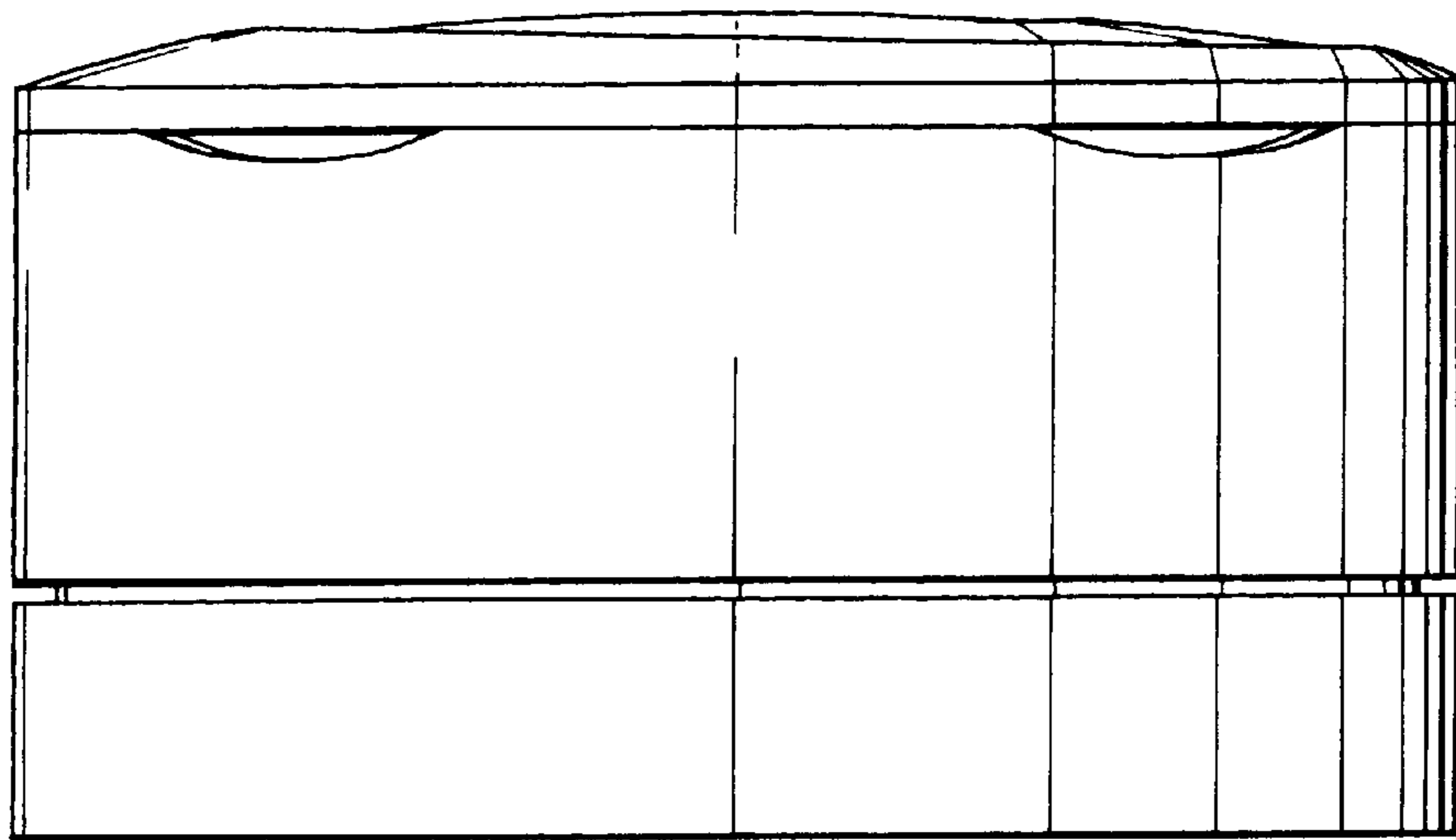


Fig.3.

Fig.4.

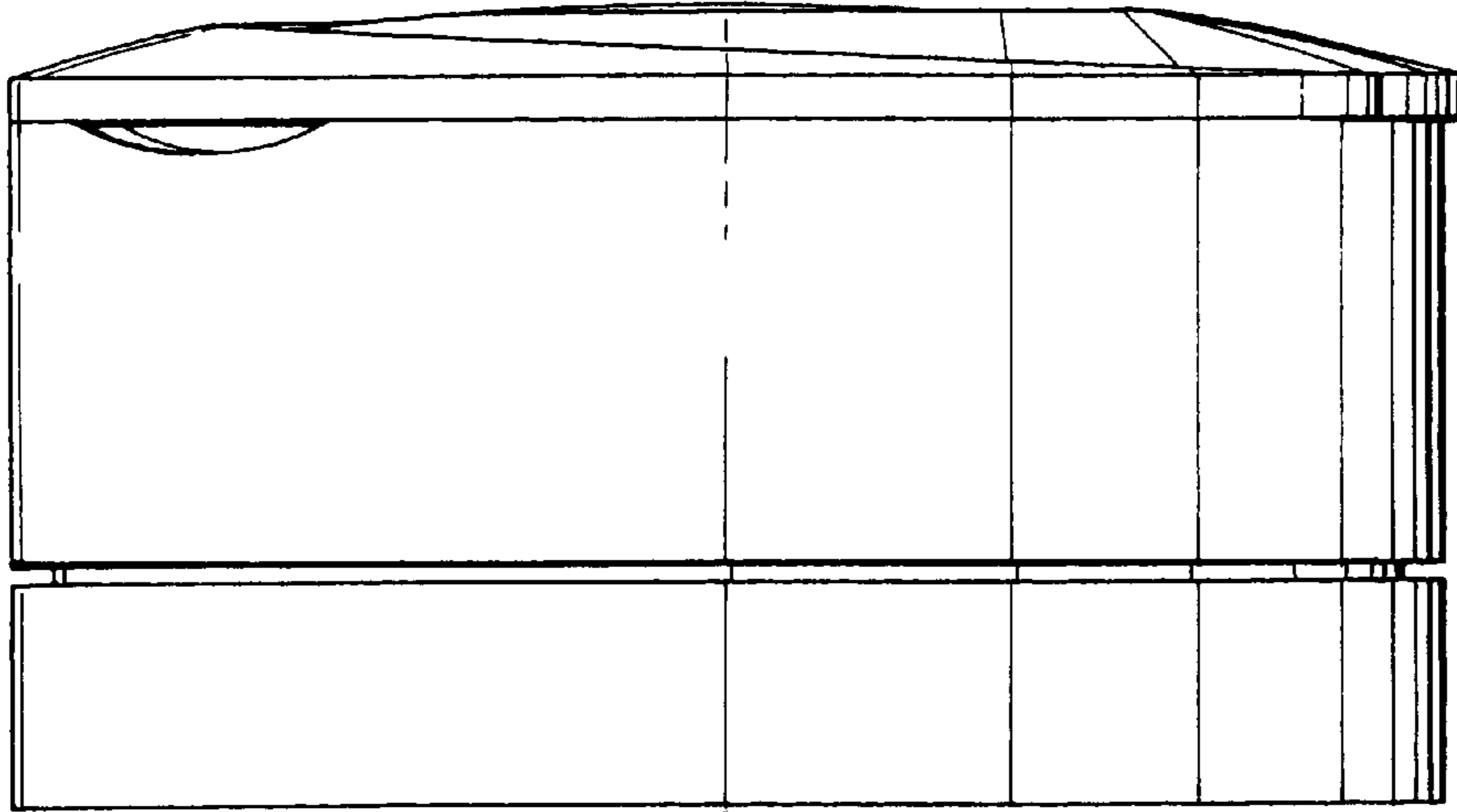


Fig.5.

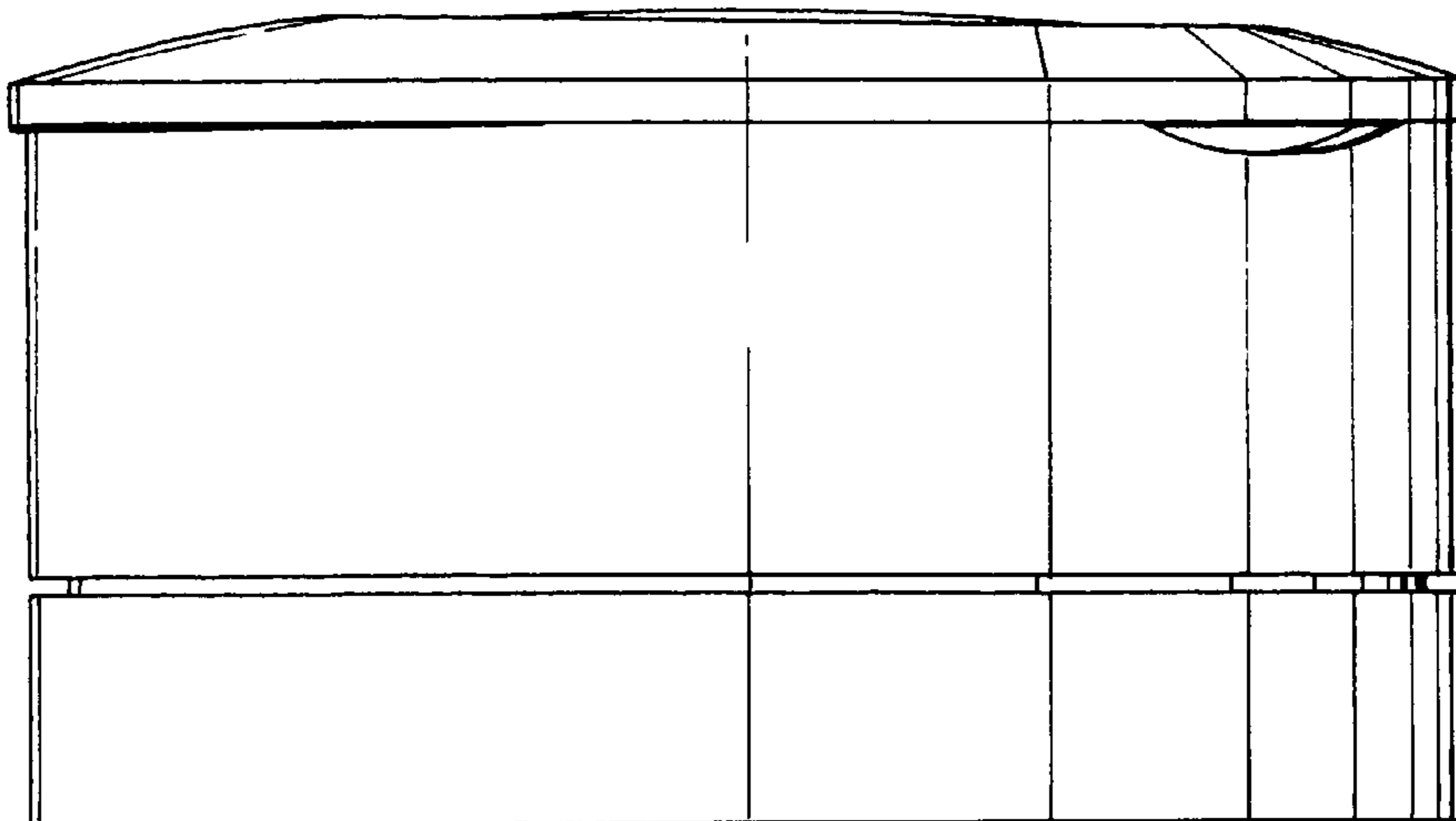
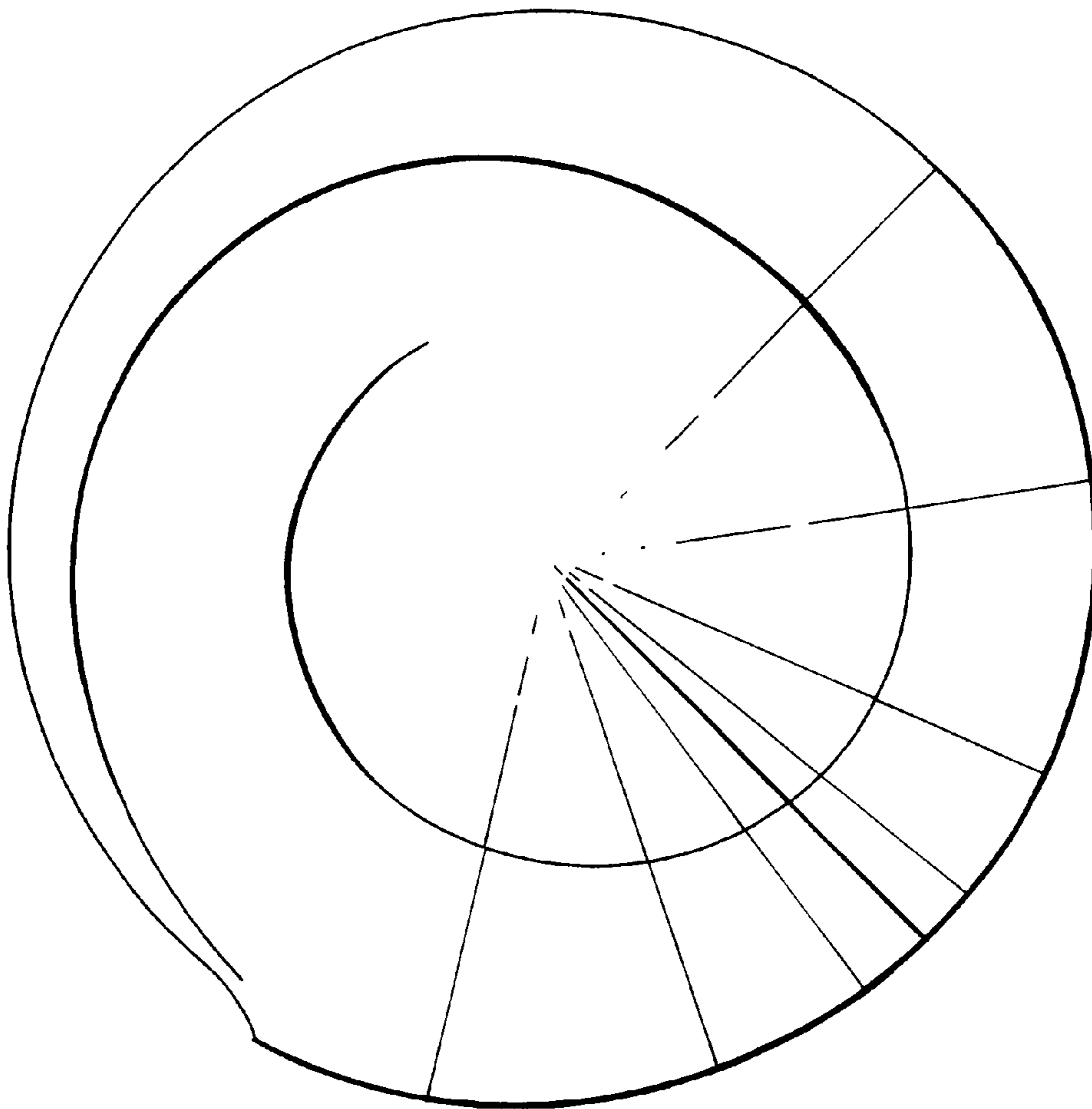


Fig.6.



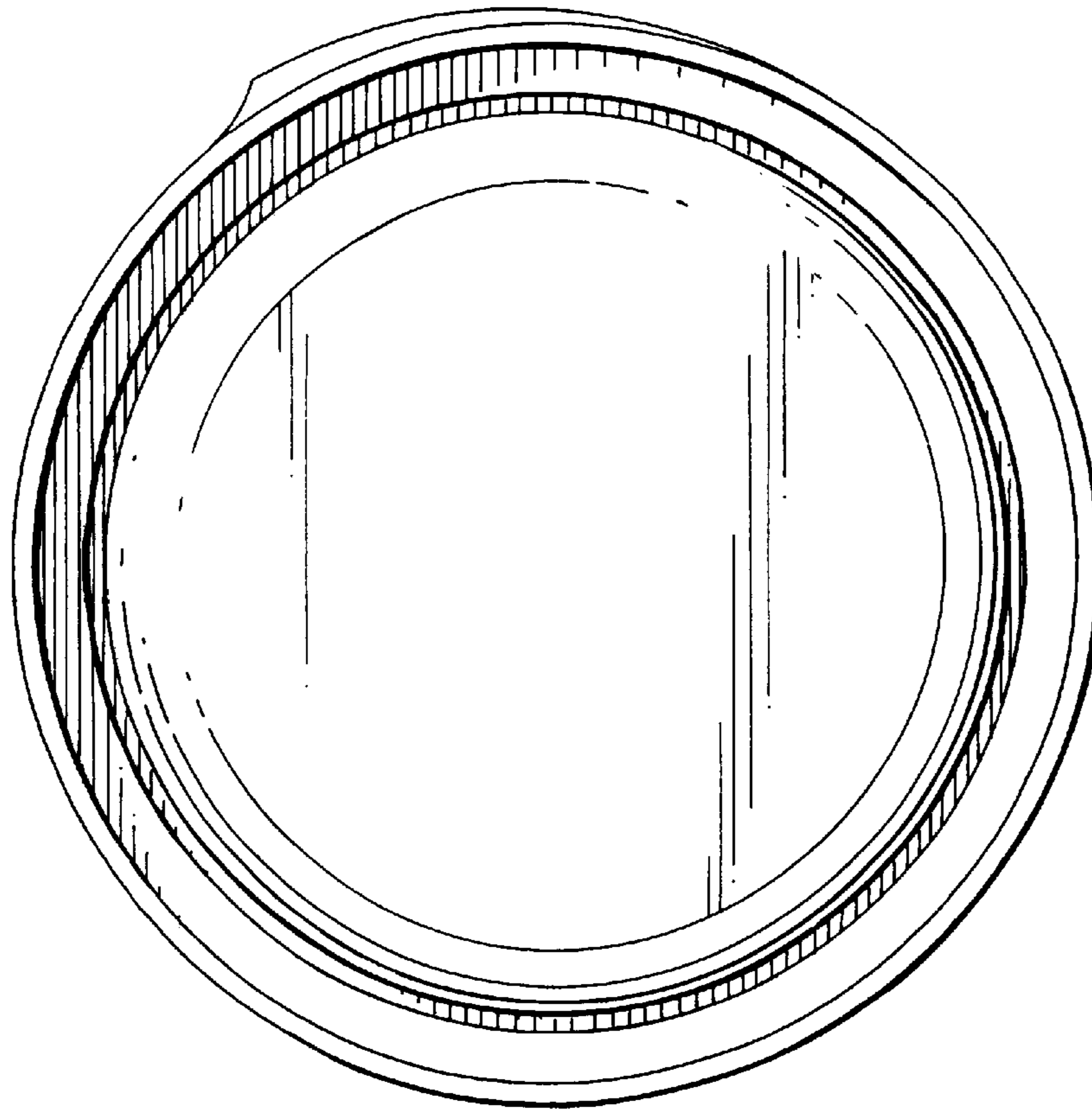


Fig.7.

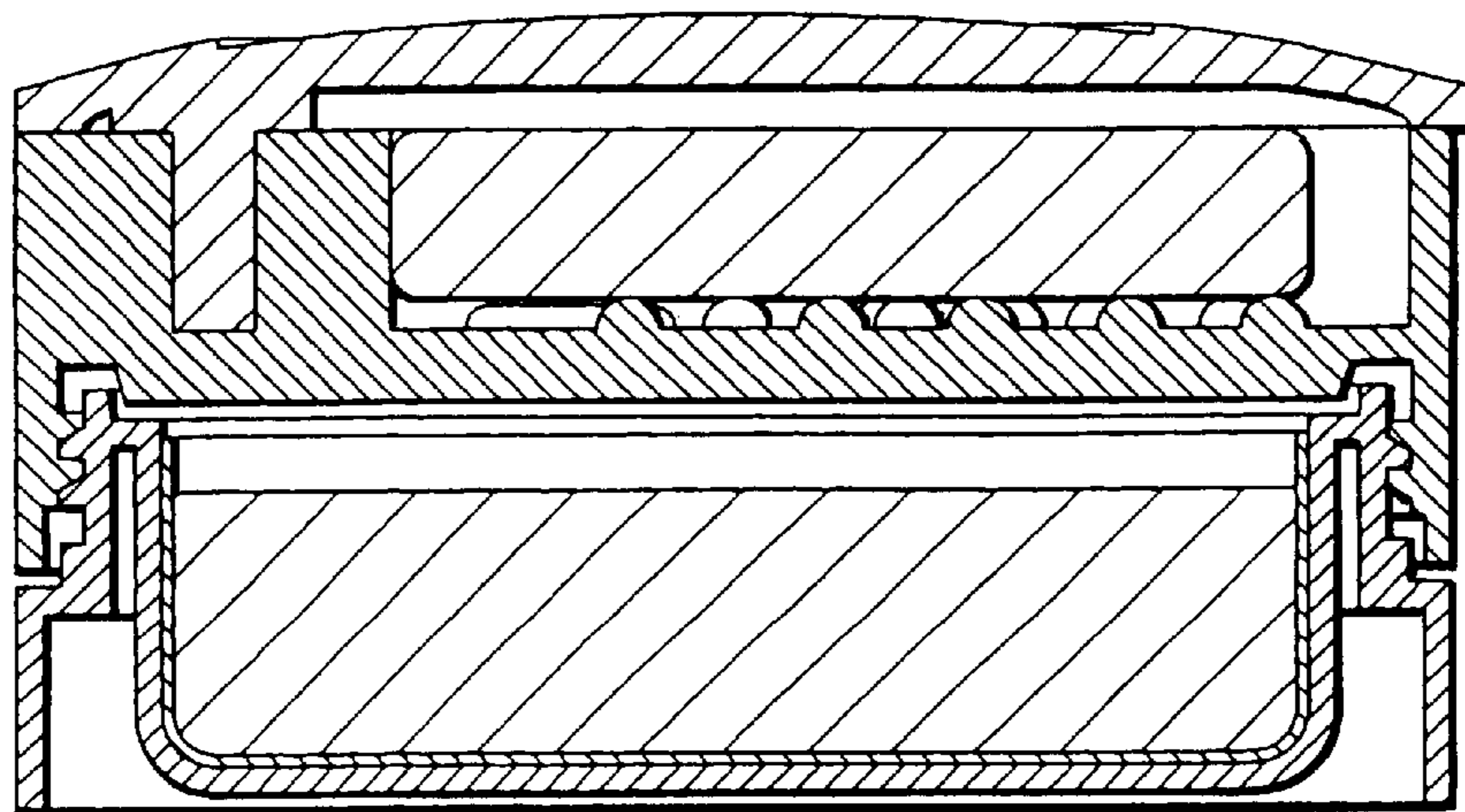


Fig.8.

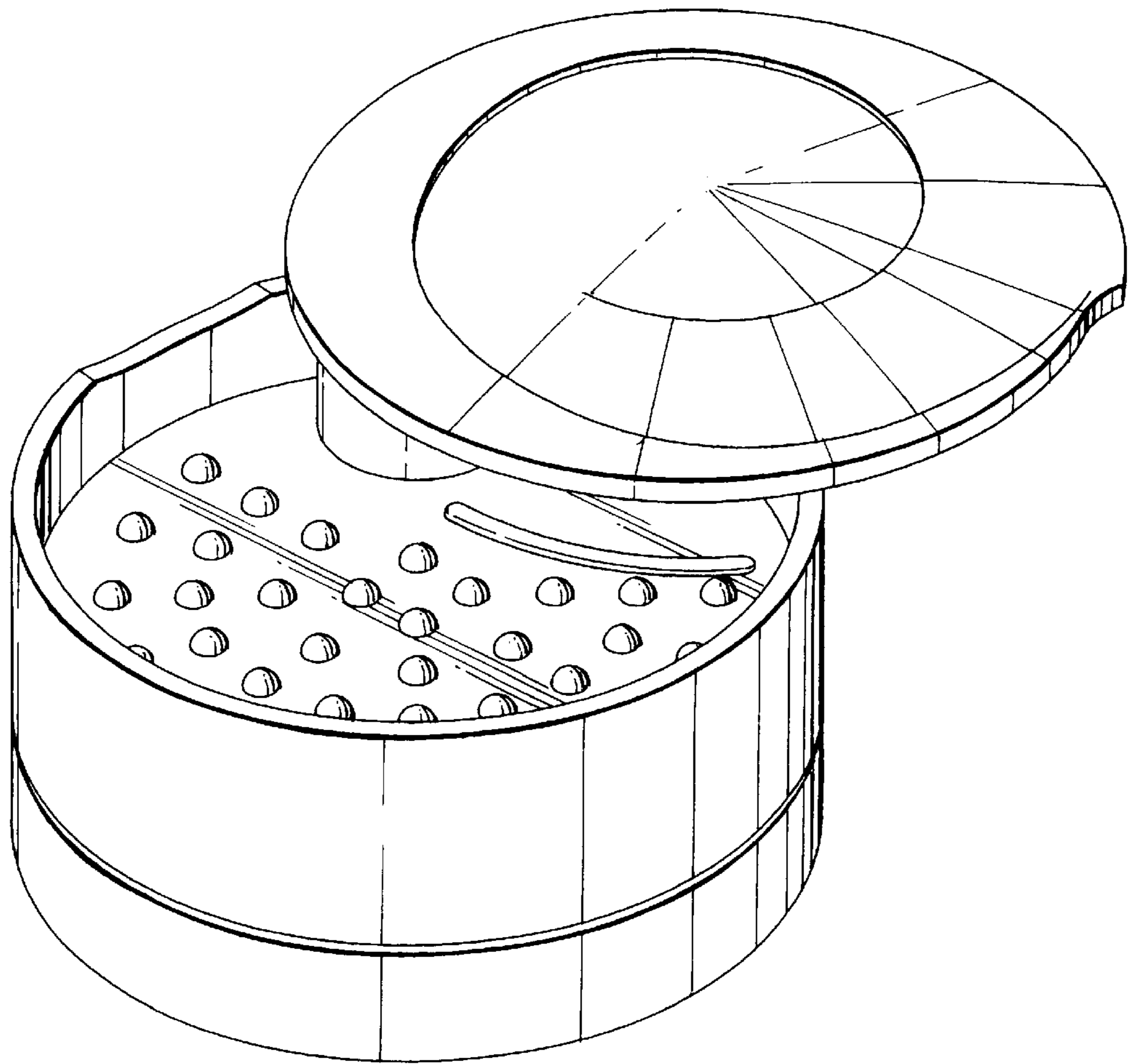


Fig.9.

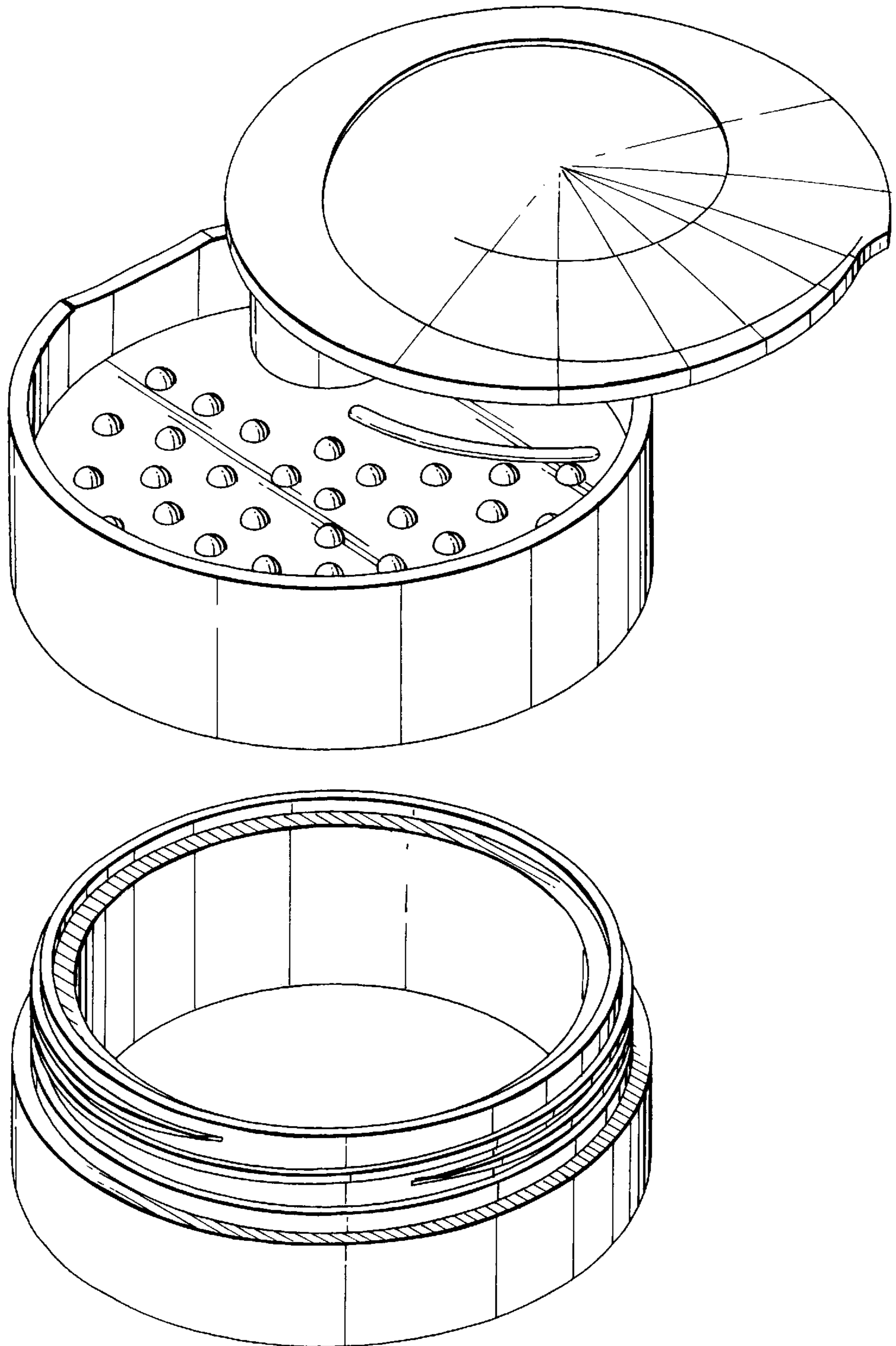


Fig.10.