



US00D483526S

(12) **United States Design Patent**  
**Efthimiadis et al.**

(10) **Patent No.:** **US D483,526 S**

(45) **Date of Patent:** **\*\* Dec. 9, 2003**

(54) **SHAVER HANDLE**

(75) Inventors: **Dimitris Efthimiadis**, Athens (GR);  
**Spiros Gratsias**, Athens (GR); **Ioannis Kakoussis**, Athens (GR)

(73) Assignee: **Societe BIC, S.A.**, Clichy (FR)

(\*\*) Term: **14 Years**

(21) Appl. No.: **29/159,527**

(22) Filed: **Apr. 24, 2002**

(51) **LOC (7) Cl.** ..... **28-03**

(52) **U.S. Cl.** ..... **D28/48**

(58) **Field of Search** ..... D28/44-48; D4/104-111,  
D4/138; D8/107, DIG. 4, DIG. 6, DIG. 7;  
30/32, 34.05, 47-51, 57-60, 60.5, 61-74,  
526-534

(56) **References Cited**

**U.S. PATENT DOCUMENTS**

2,370,815	A	*	3/1945	Ross	.....	30/526	X
D208,619	S	*	9/1967	Baker	.....	D28/46	
4,587,730	A	*	5/1986	Iten	.....	30/541	
4,754,547	A	*	7/1988	Butka	.....	30/46	
D355,049	S		1/1995	Yasui	.....	D28/48	
D365,419	S	*	12/1995	Kamiya	.....	D28/48	
D366,728	S	*	1/1996	Ryu	.....	D28/48	
D386,821	S		11/1997	Shurtleff et al.	.....	D28/48	
D389,272	S	*	1/1998	Ryu	.....	D28/46	
D397,830	S		9/1998	Gray	.....	D28/48	
D414,298	S		9/1999	Pennella et al.	.....	D28/48	
D421,155	S	*	2/2000	Grange	.....	D28/48	
D425,251	S		5/2000	Gray	.....	D28/48	
D428,203	S		7/2000	Zwonitzer et al.	.....	D28/48	
D436,828	S	*	1/2001	Benktzon et al.	.....	D8/107	

D439,015	S	3/2001	Wonderley	.....	D28/48
D445,958	S	7/2001	Dansreau et al.	.....	D28/48
D452,348	S	12/2001	Wonderley	.....	D28/48

\* cited by examiner

*Primary Examiner*—Ted Shooman

*Assistant Examiner*—C. Tuttle

(74) *Attorney, Agent, or Firm*—Pennie & Edmonds LLP

(57) **CLAIM**

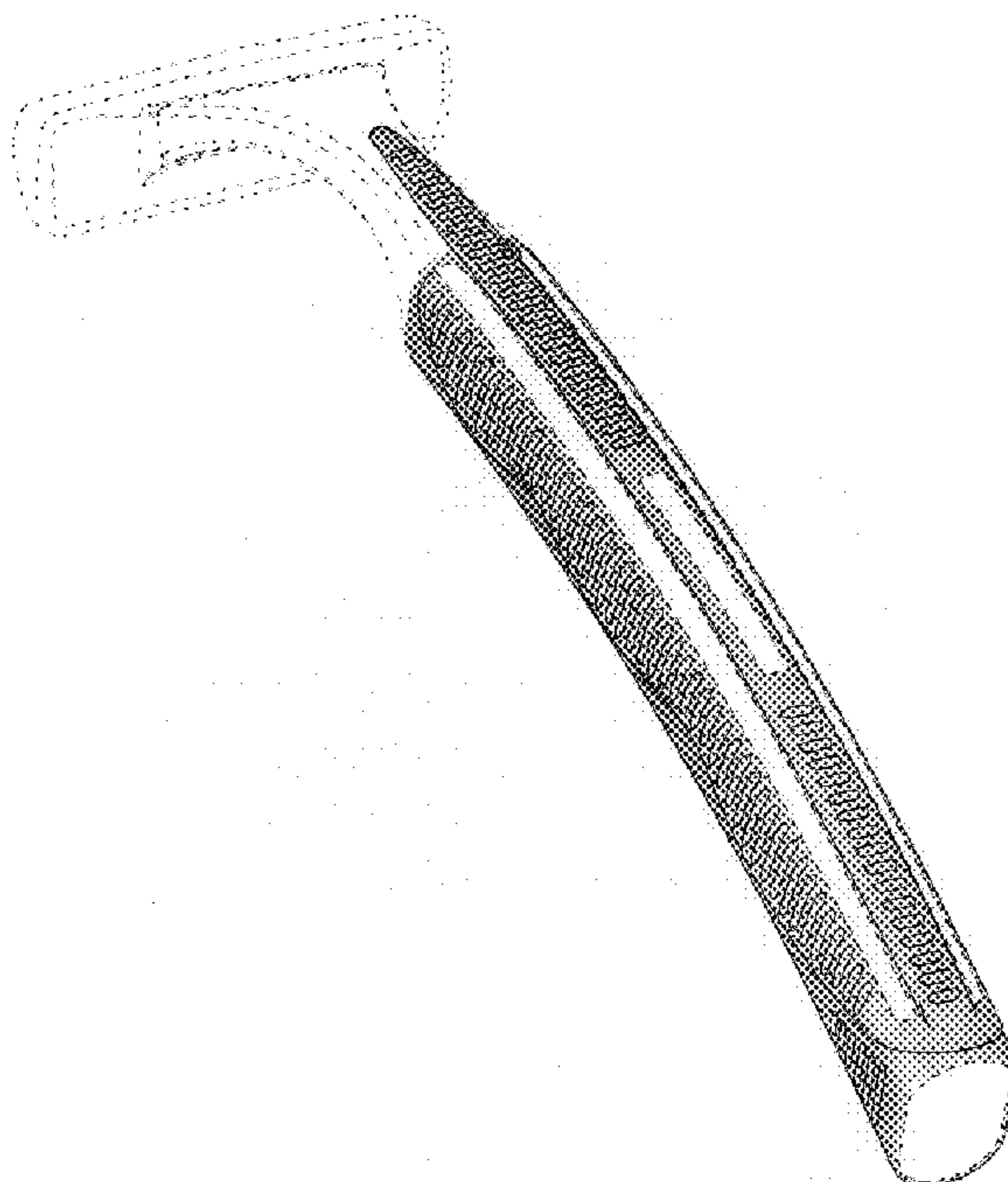
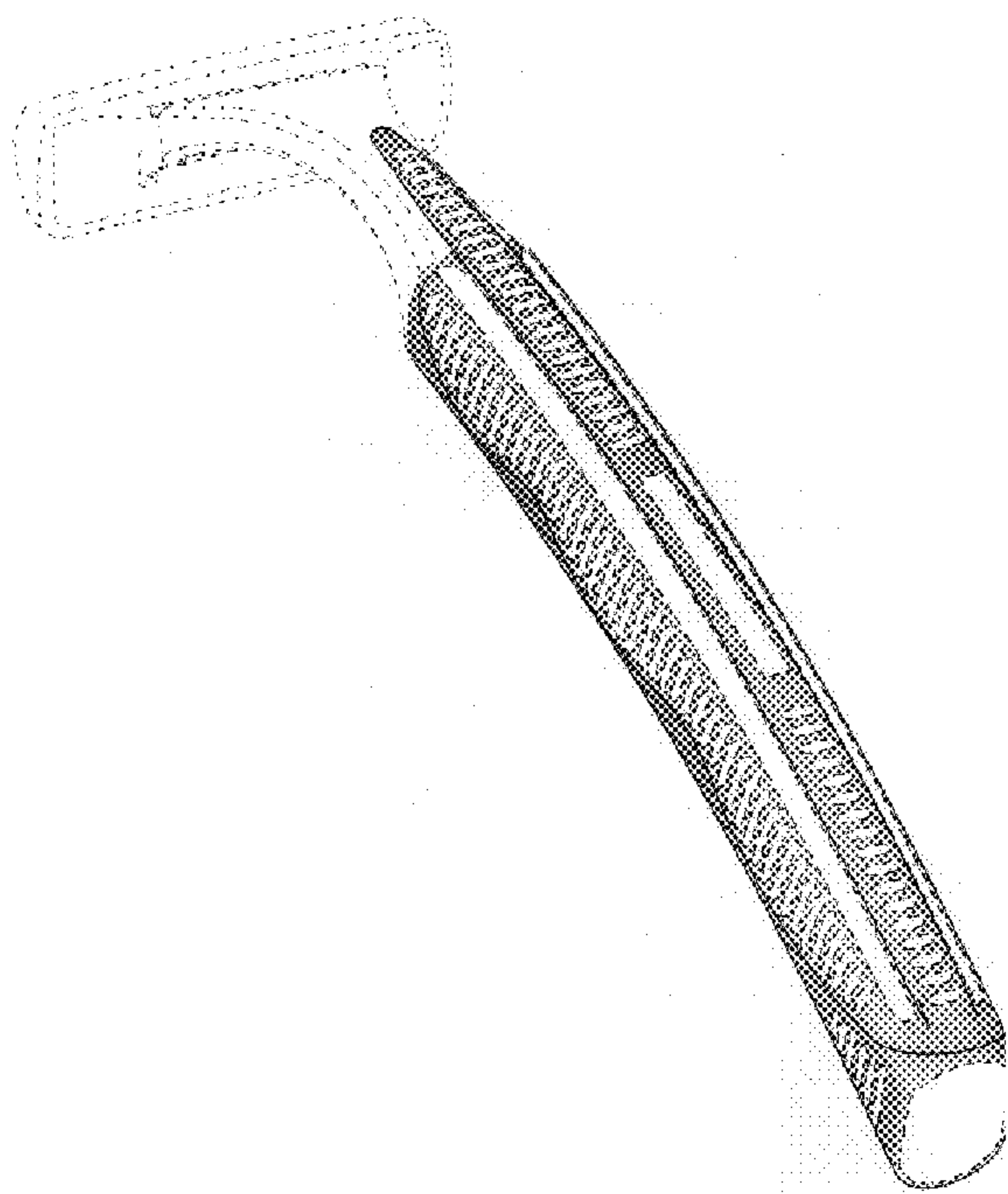
The ornamental design for a shaver handle, as shown and described.

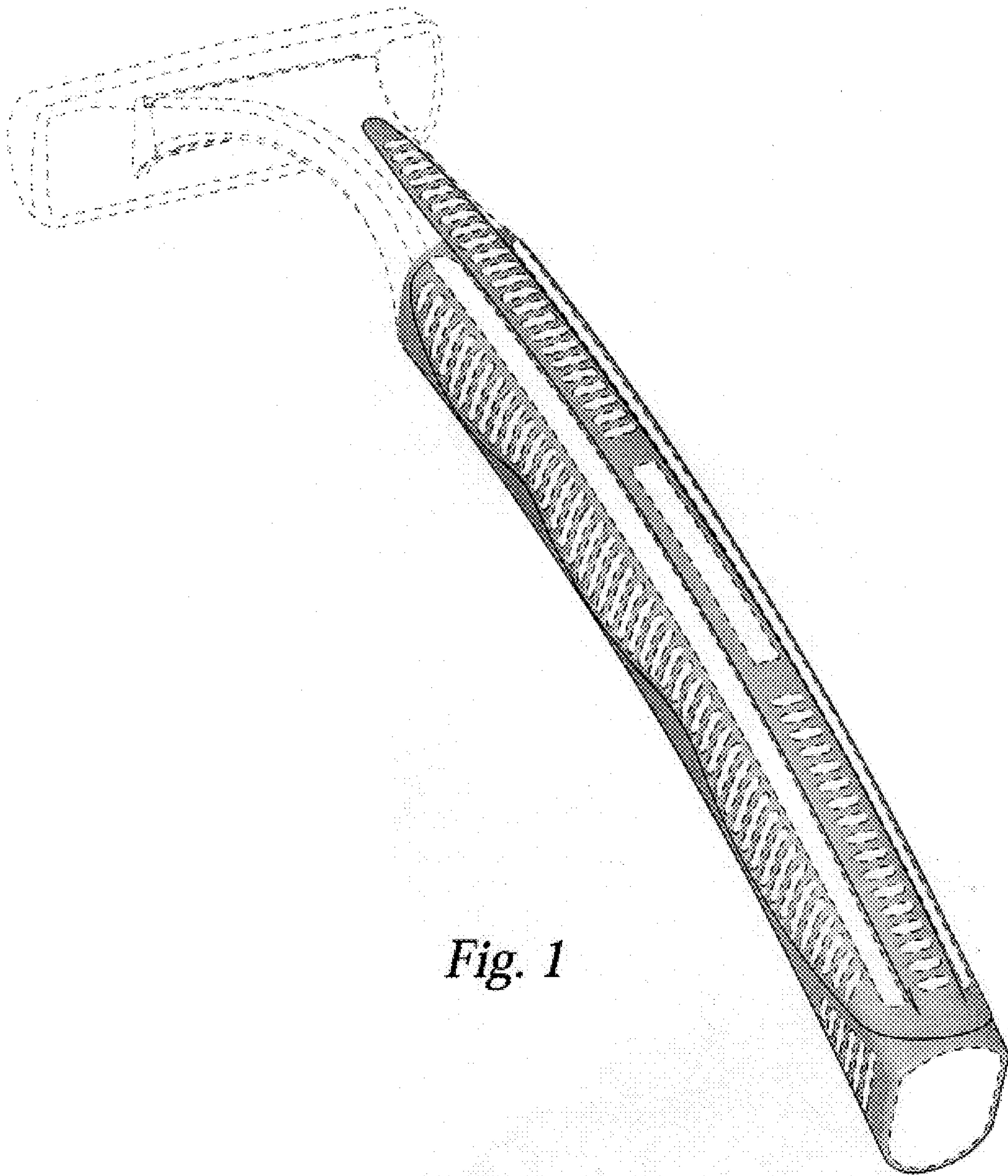
**DESCRIPTION**

FIG. 1 is a perspective view of a shaver handle according to the present invention;  
 FIG. 2 is a rear elevational view thereof;  
 FIG. 3 is a front elevational view thereof;  
 FIG. 4 is a right side elevational view thereof;  
 FIG. 5 is a left side elevational view thereof;  
 FIG. 6 is a top end view thereof;  
 FIG. 7 is a bottom end view thereof;  
 FIG. 8 is a perspective view of a shaver handle according to another embodiment of the present invention;  
 FIG. 9 is a rear elevational view thereof;  
 FIG. 10 is a front elevational view thereof;  
 FIG. 11 is a right side elevational view thereof;  
 FIG. 12 is a left side elevational view thereof;  
 FIG. 13 is a top end view thereof; and,  
 FIG. 14 is a bottom end view thereof.

The broken lines in the figures are for illustrative purposes only and form no part of the claimed design. Surfaces of the shaver handle being disclaimed are distinguished from the claimed portions by the lack of surface shadings.

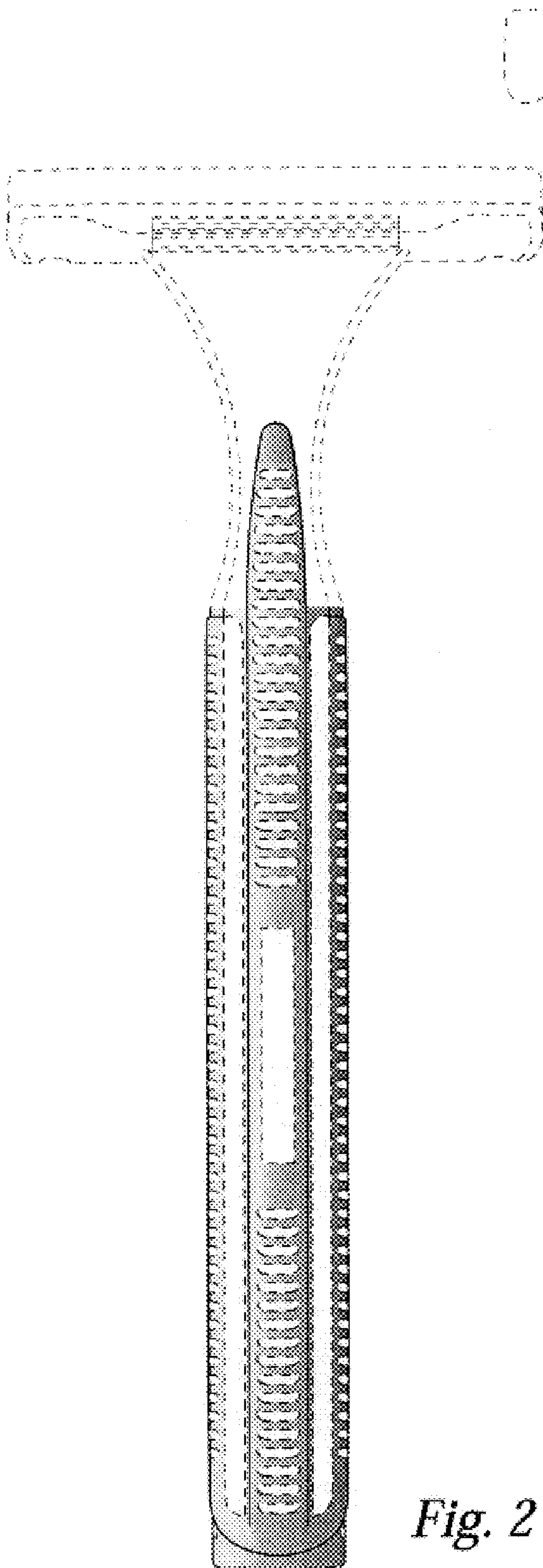
**1 Claim, 8 Drawing Sheets**



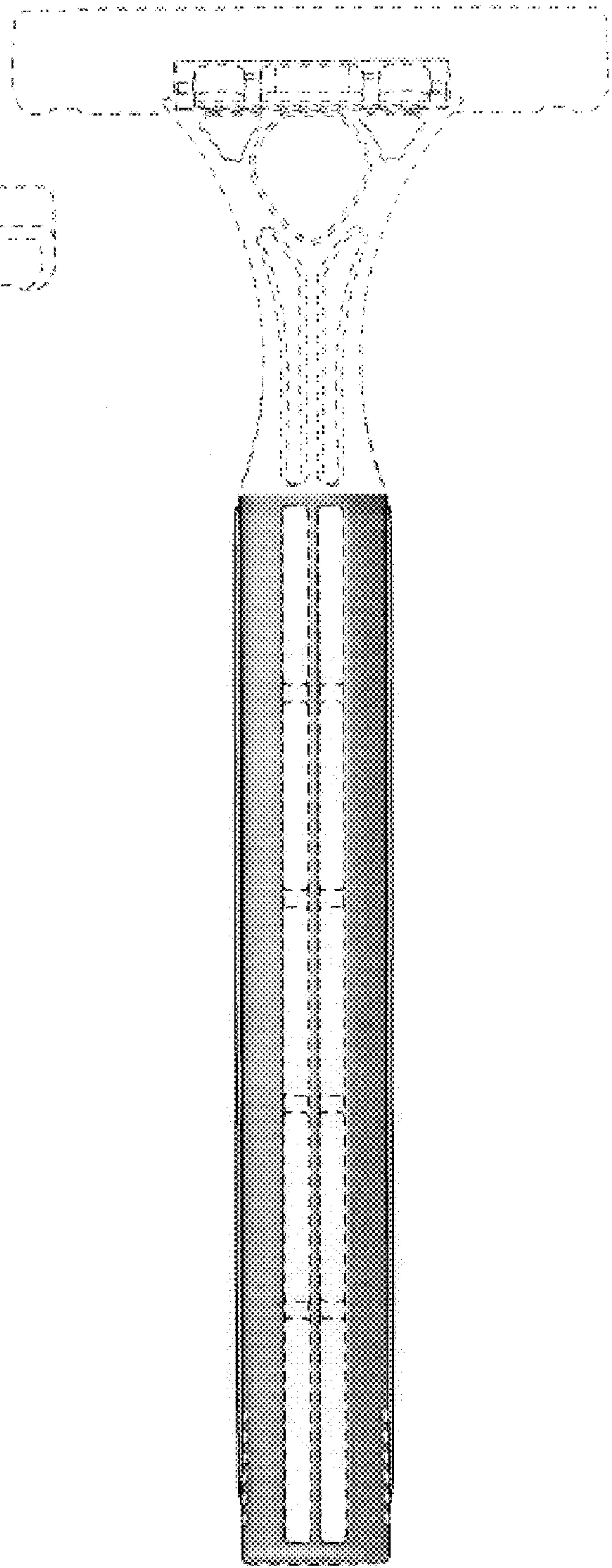


*Fig. 1*

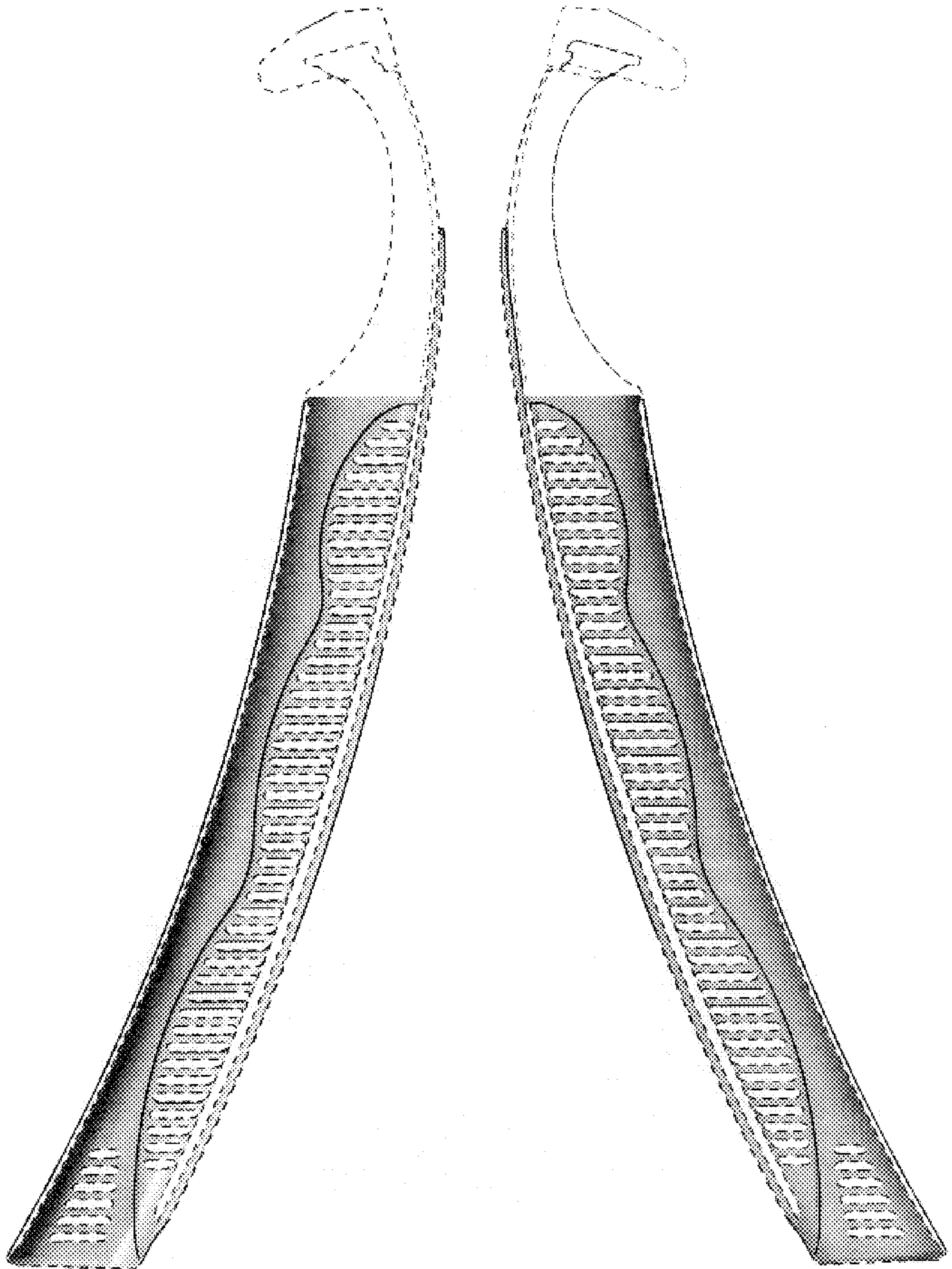




*Fig. 2*



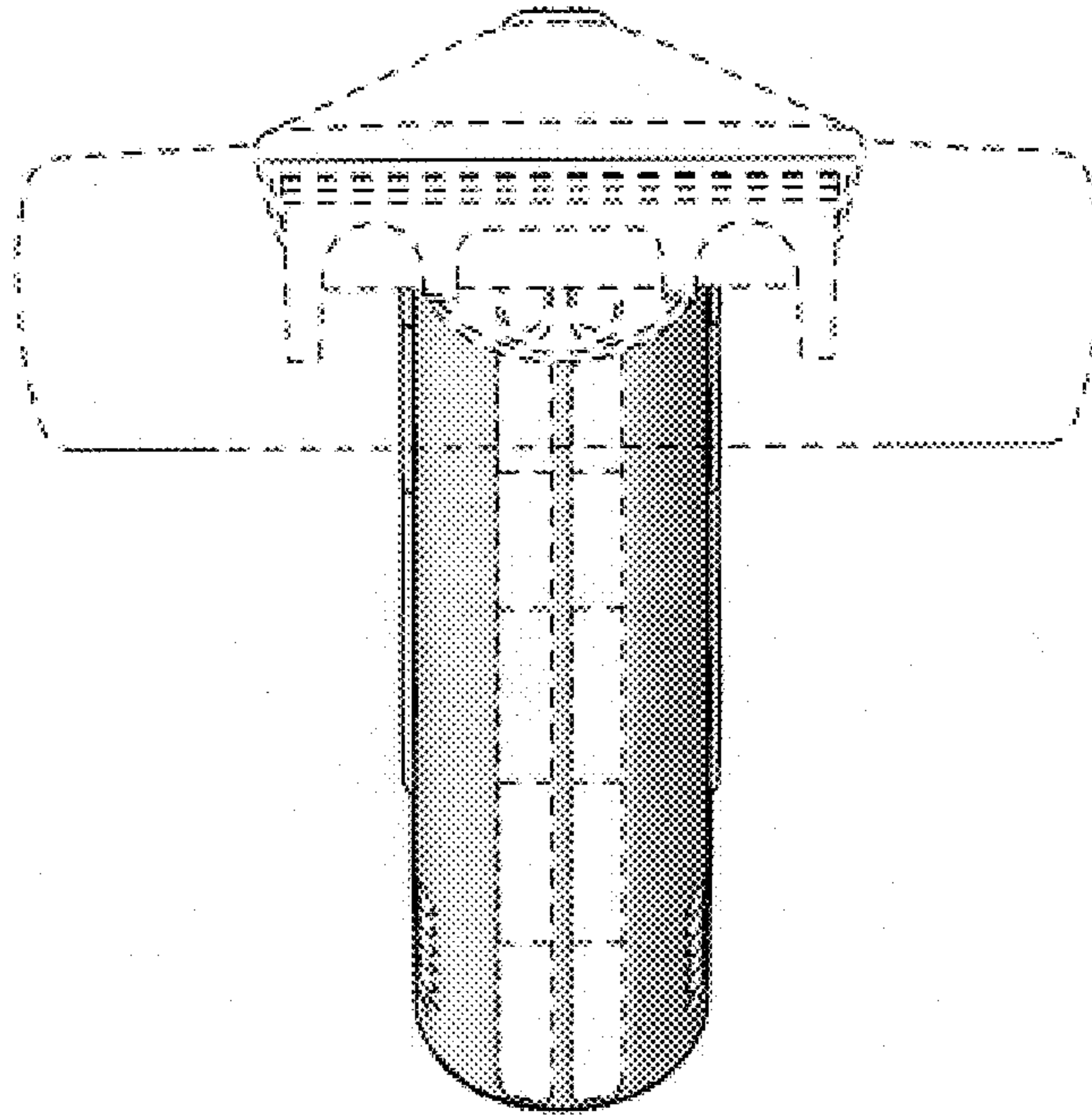
*Fig. 3*



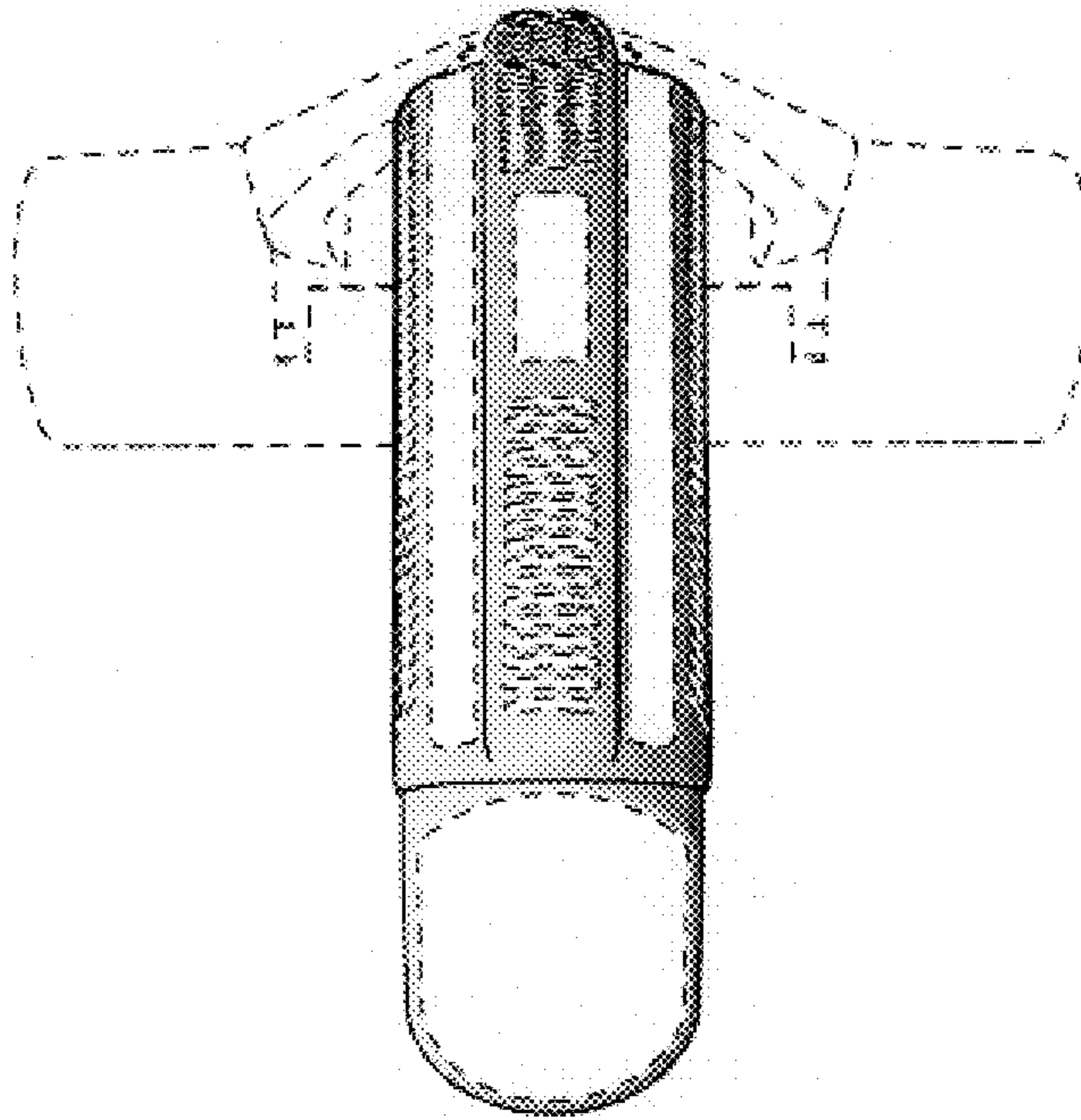
*Fig. 4*

*Fig. 5*

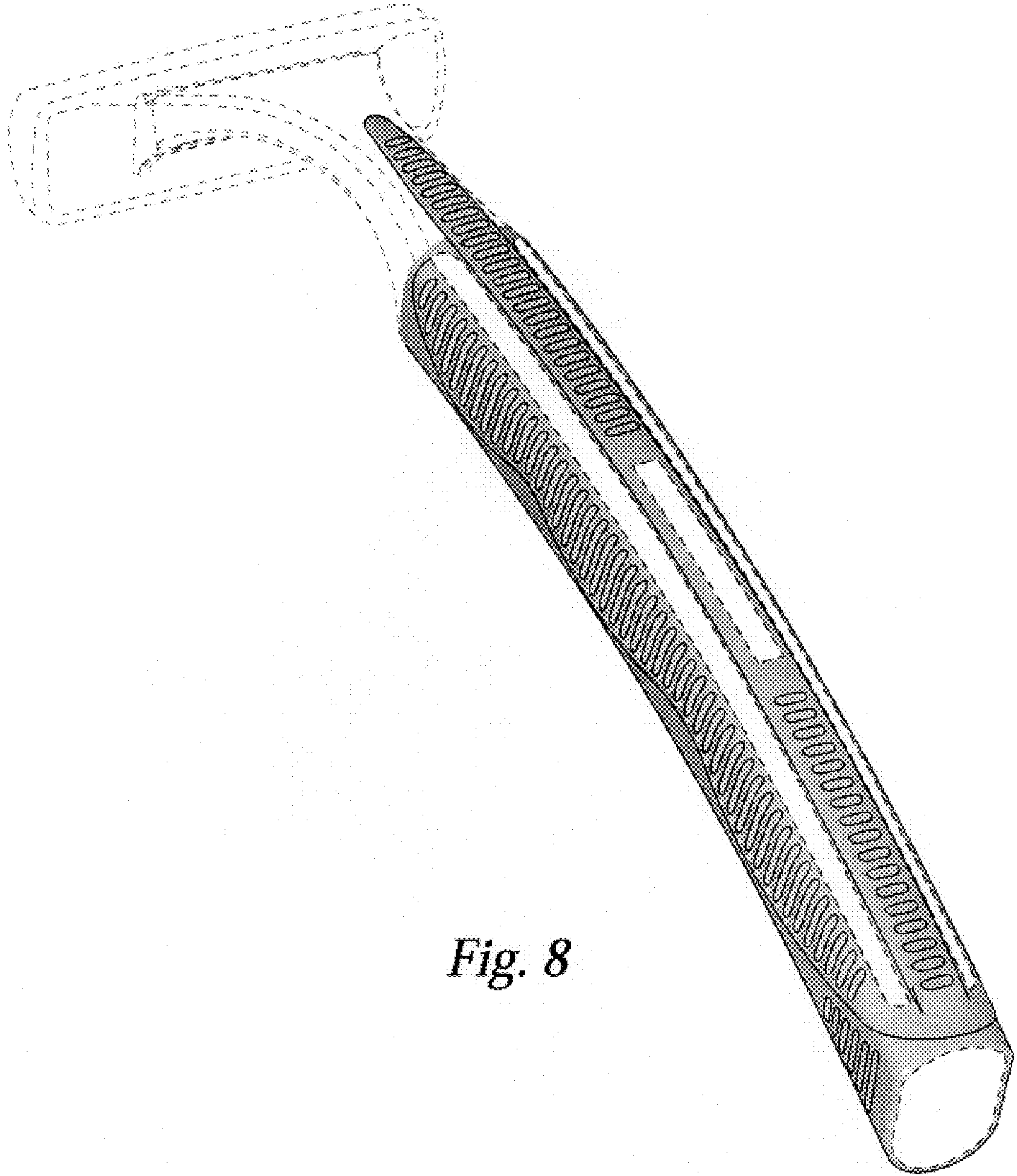




*Fig. 6*

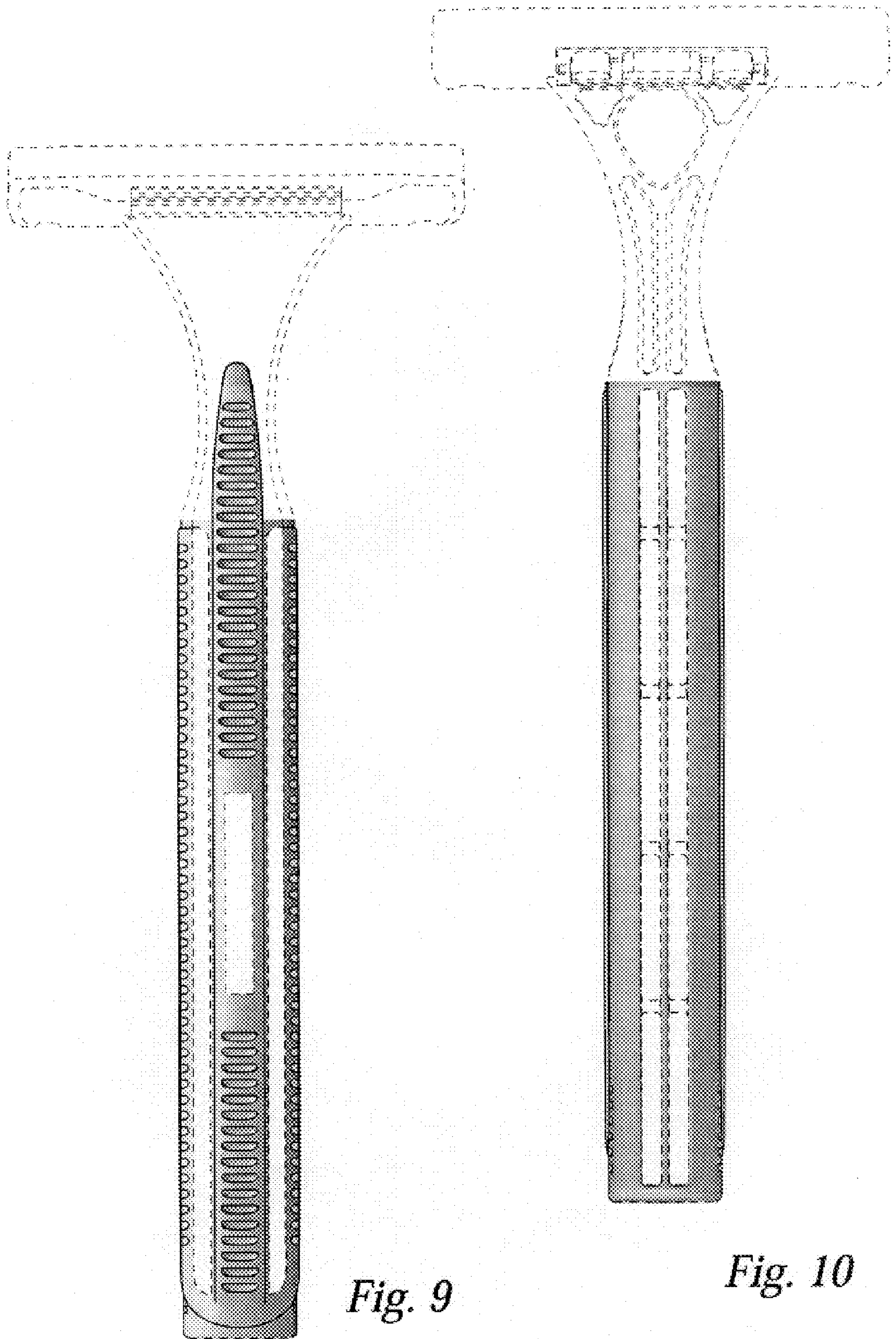


*Fig. 7*



*Fig. 8*

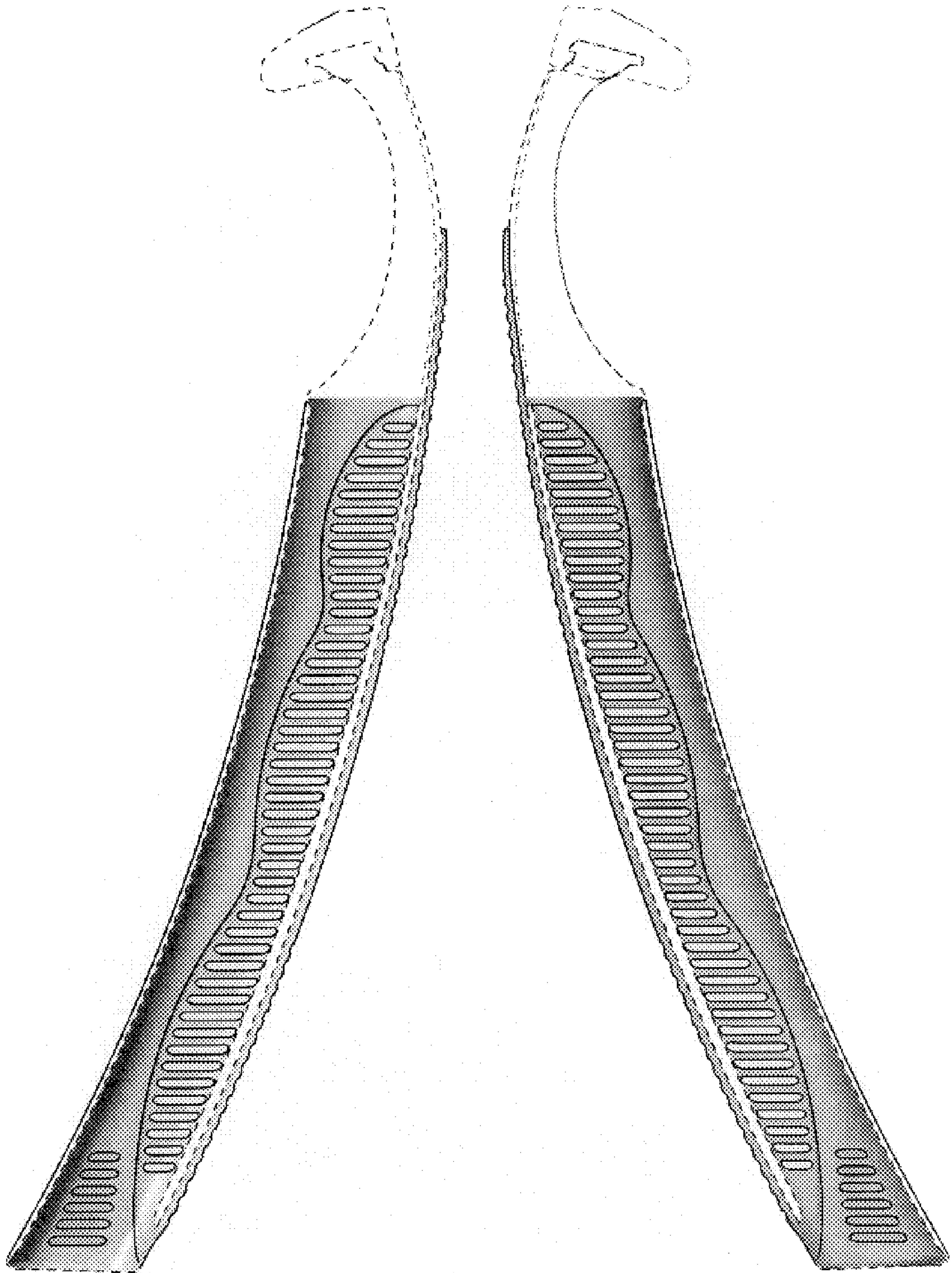




*Fig. 9*

*Fig. 10*

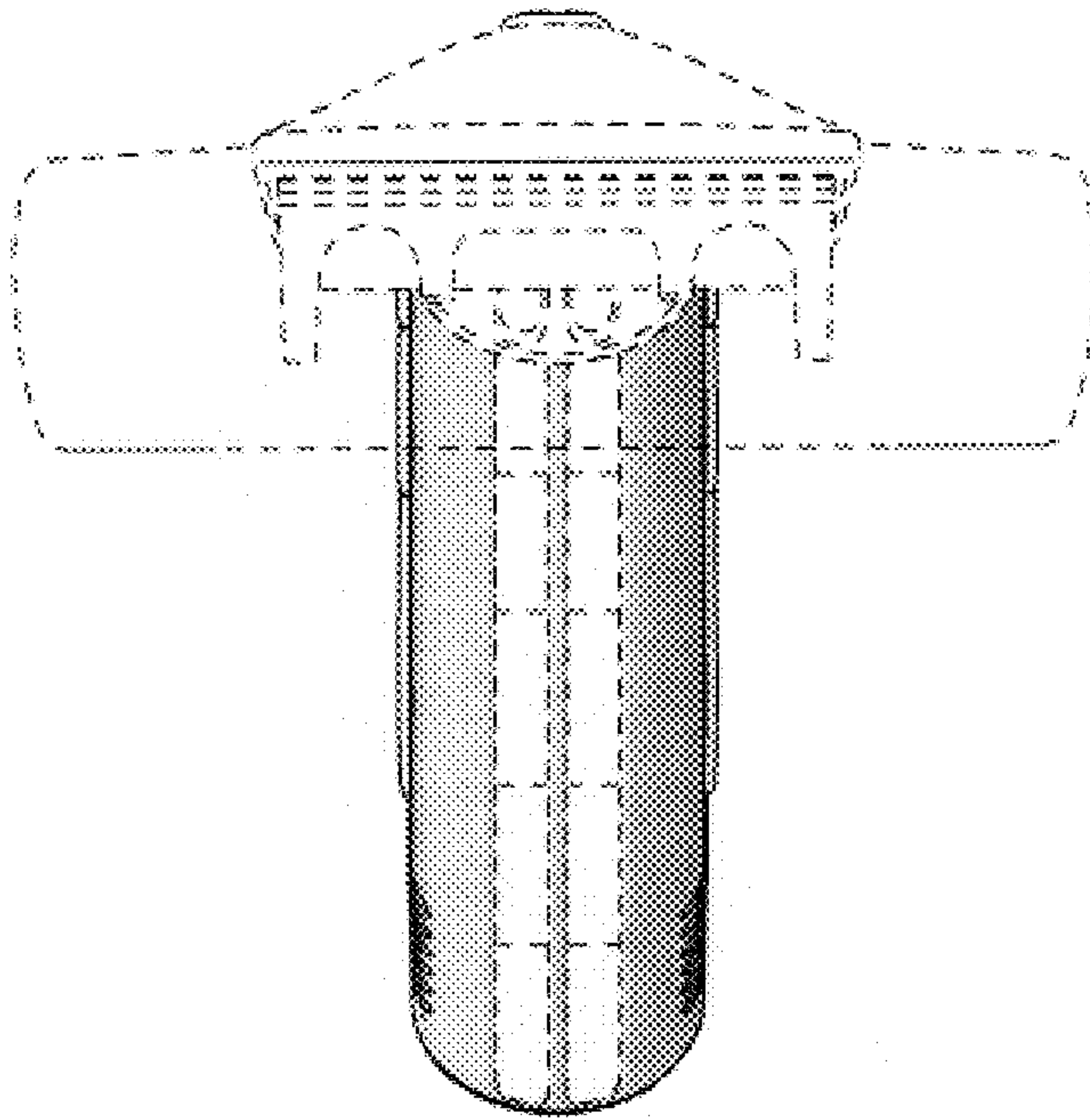




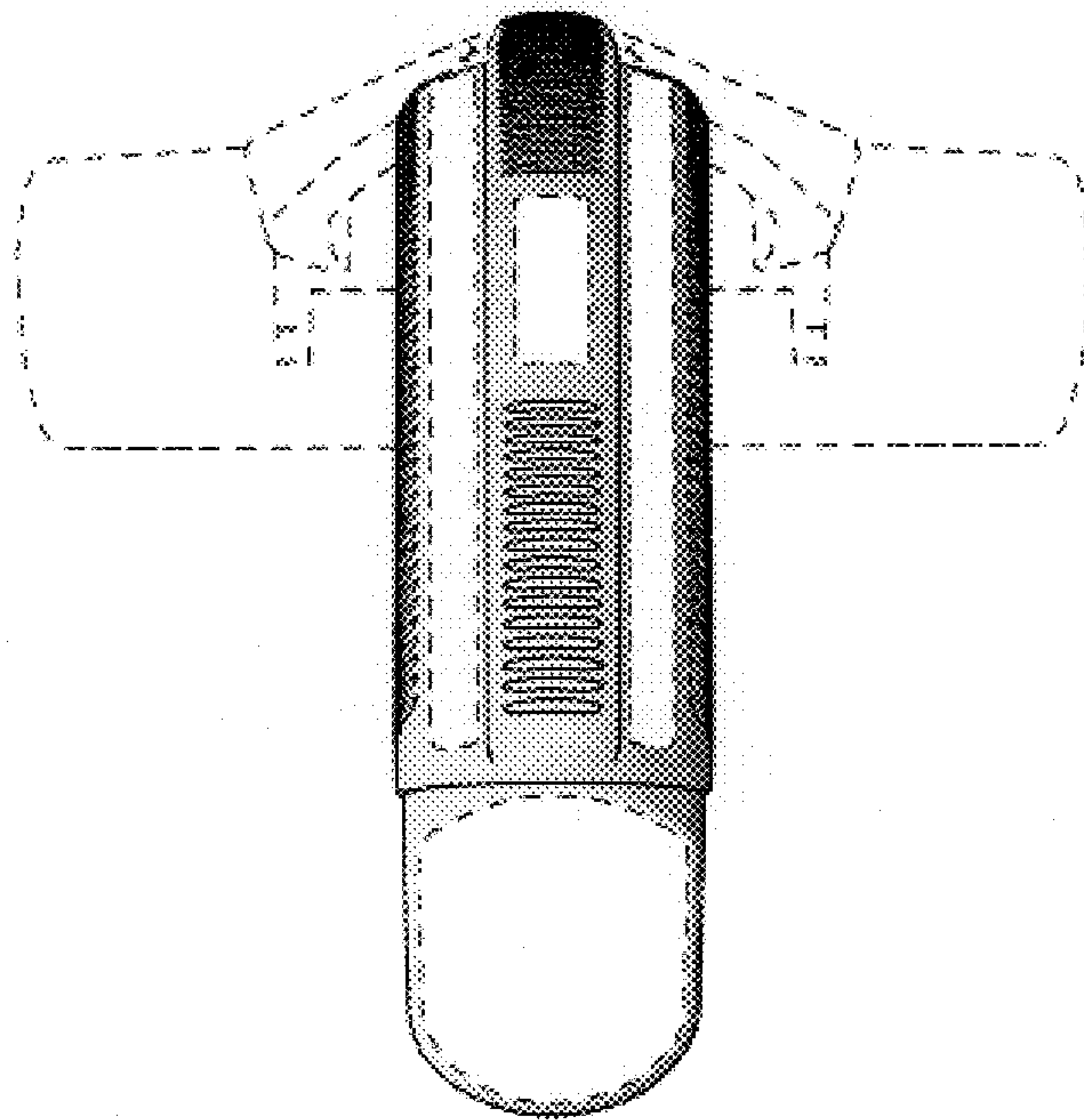
*Fig. 11*

*Fig. 12*





*Fig. 13*



*Fig. 14*