



US00D483524S

(12) **United States Design Patent**  
**Walker et al.**

(10) **Patent No.:** **US D483,524 S**

(45) **Date of Patent:** **\*\* Dec. 9, 2003**

(54) **HAIR CLIP**

6,142,159 A \* 11/2000 Lloyd ..... 132/278  
6,186,151 B1 \* 2/2001 Newlin ..... 132/273

(75) Inventors: **Lindsey J. Walker**, London (GB);  
**Shelley-Anne Salisbury**, London (GB)

\* cited by examiner

(73) Assignee: **Linshell Holdings Limited**, London  
(GB)

*Primary Examiner*—Lucy Lieberman

(74) *Attorney, Agent, or Firm*—Dickstein Shapiro Morin &  
Oshinsky, LLP

(\*\*) Term: **14 Years**

(57) **CLAIM**

(21) Appl. No.: **29/172,439**

The ornamental design for hair clip, as shown and described.

(22) Filed: **Dec. 12, 2002**

**DESCRIPTION**

(51) **LOC (7) Cl.** ..... **28-03**

(52) **U.S. Cl.** ..... **D28/40**

(58) **Field of Search** ..... D28/40, 39, 41,  
D28/42, 43; 132/277, 273–284, 231, 234,  
252, 260, 138, 133; D8/395

FIG. 1 is an end view of a hair clip of the present invention,  
the opposite end view is the same;

FIG. 2 is a side elevation of the hair clip of the present  
invention, the opposite side elevation is the same;

FIG. 3 is a top plan view of the hair clip of the present  
invention;

FIG. 4 is a bottom plan view of the hair clip of the present  
invention.

FIG. 5 is a top perspective view of the hair clip of the present  
invention; and,

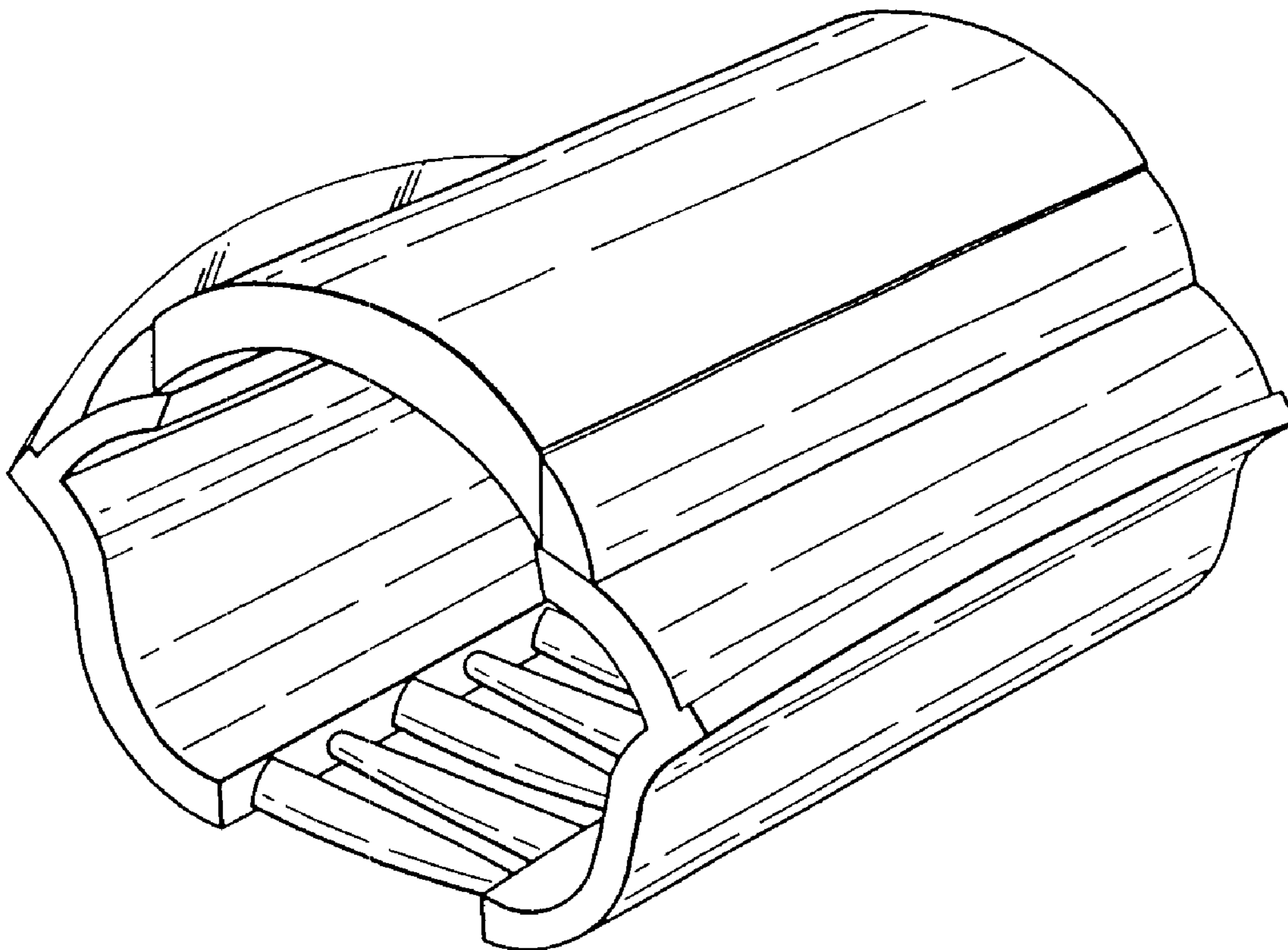
FIG. 6 is a bottom perspective view of the hair clip of the  
present invention.

(56) **References Cited**

**U.S. PATENT DOCUMENTS**

5,494,060 A	*	2/1996	Potut	.....	132/277
D410,302 S	*	5/1999	Yasuda	.....	D28/40
5,975,092 A	*	11/1999	Tsai	.....	132/275
5,988,184 A	*	11/1999	Shu	.....	132/277
6,135,125 A	*	10/2000	Sartena	.....	132/275

**1 Claim, 2 Drawing Sheets**



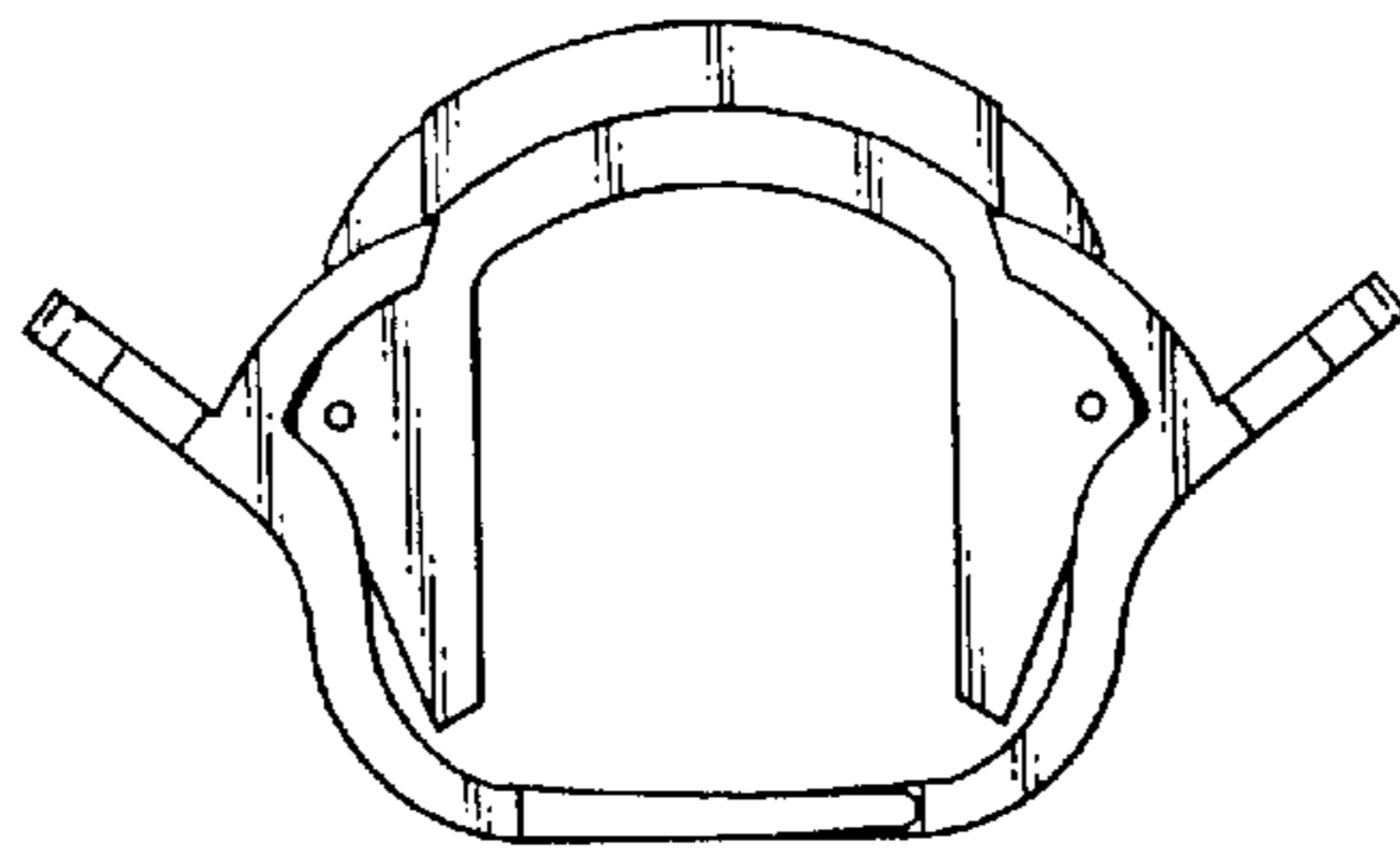


FIG. 1

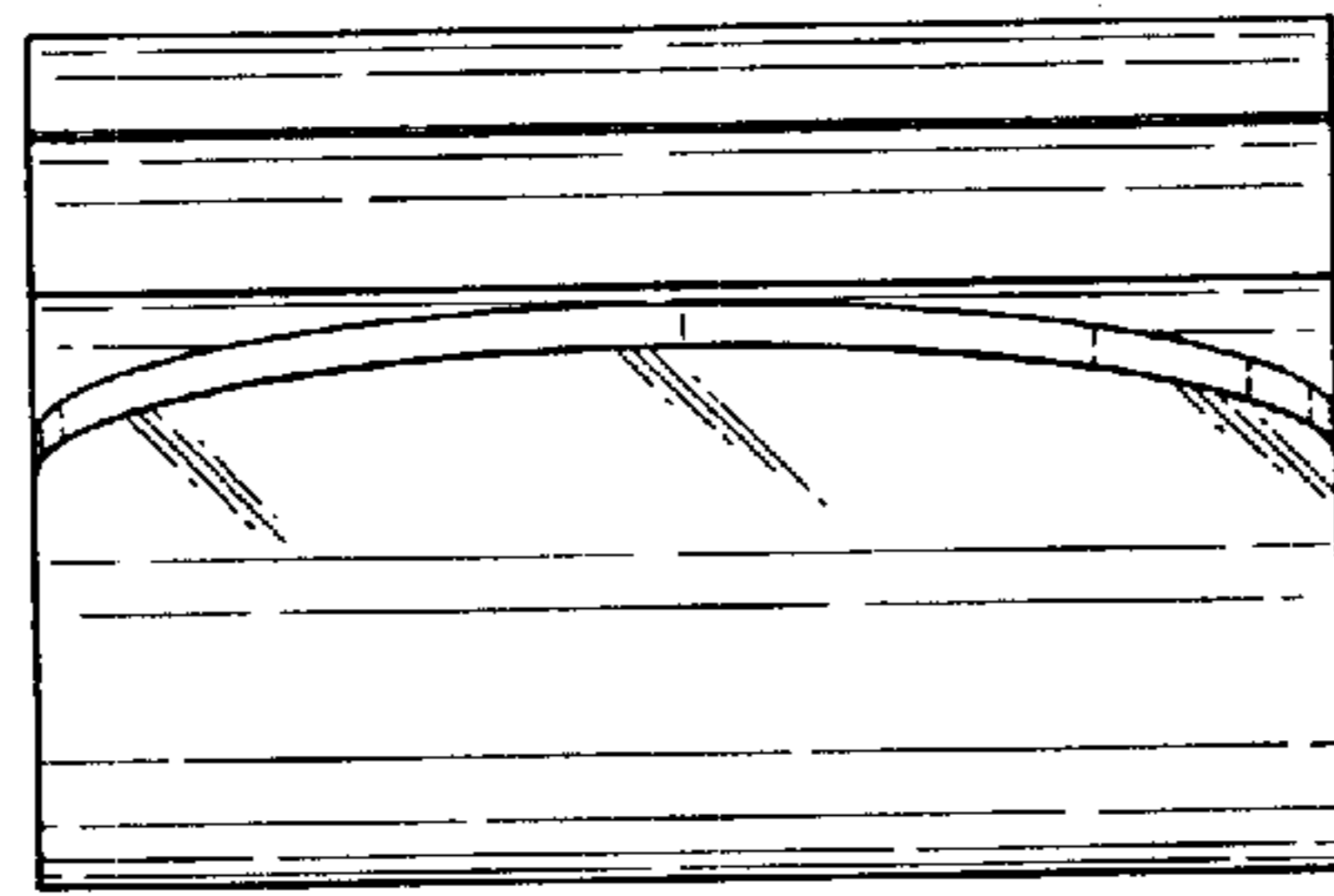


FIG. 2

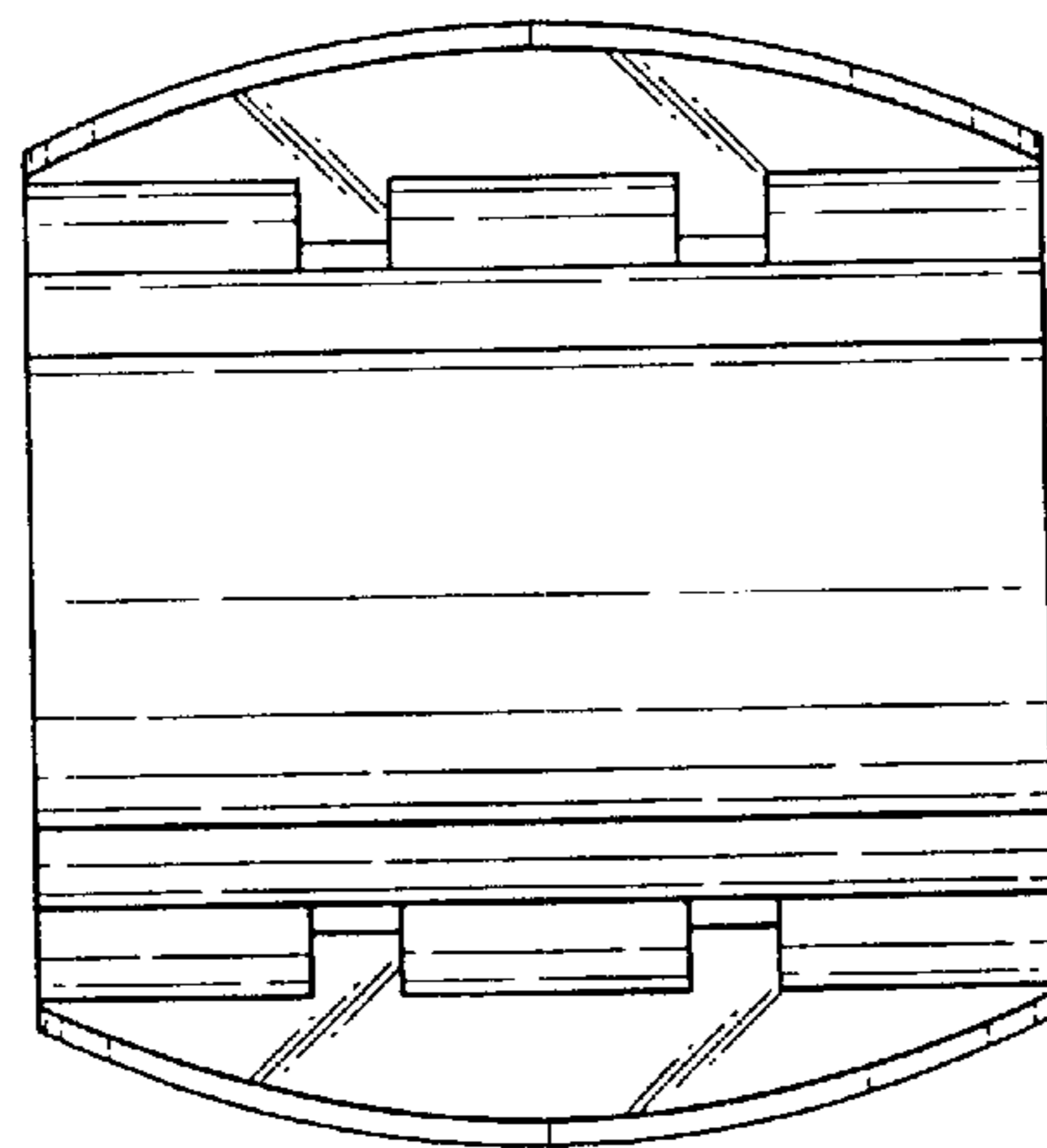


FIG. 3

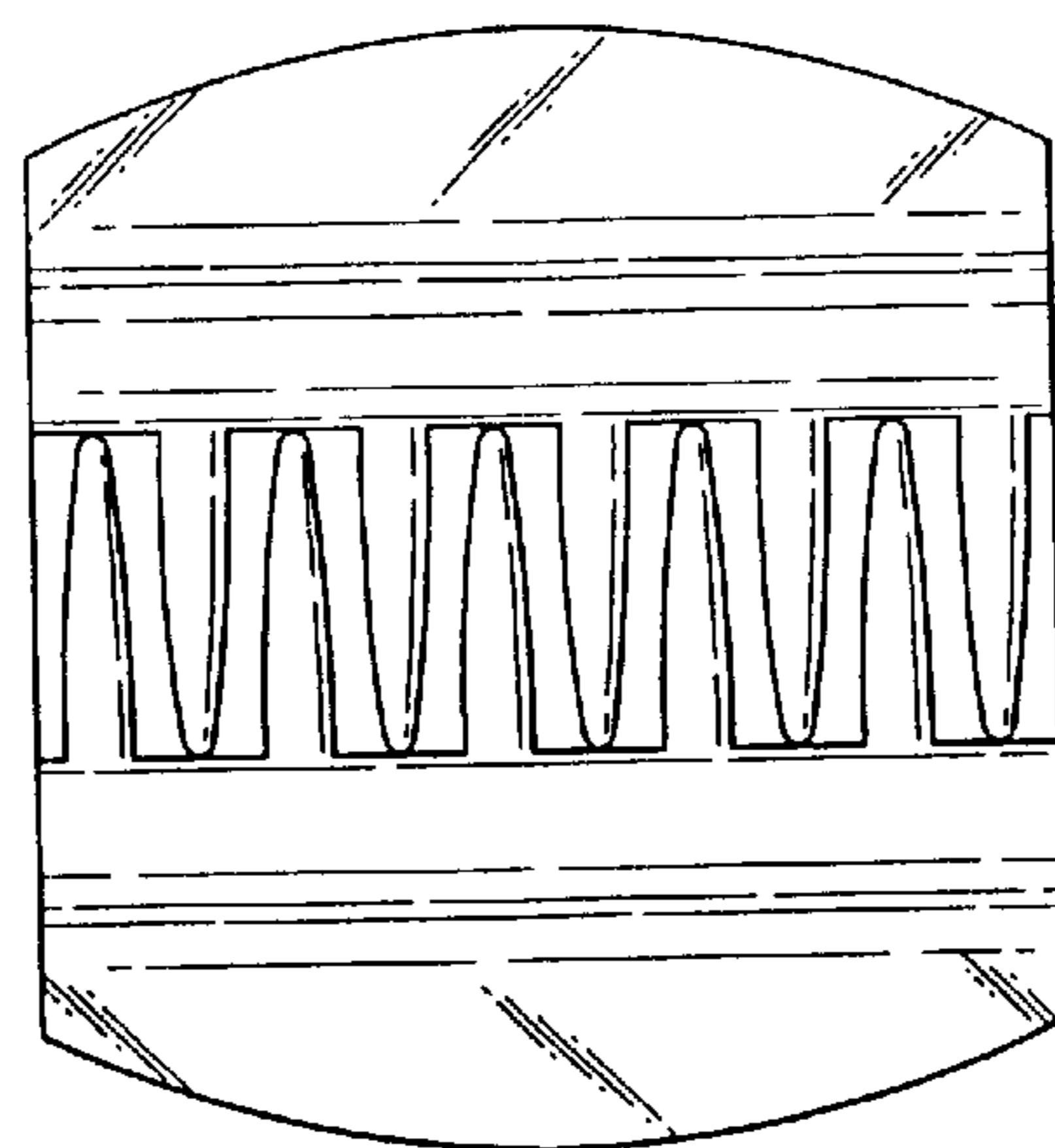


FIG. 4

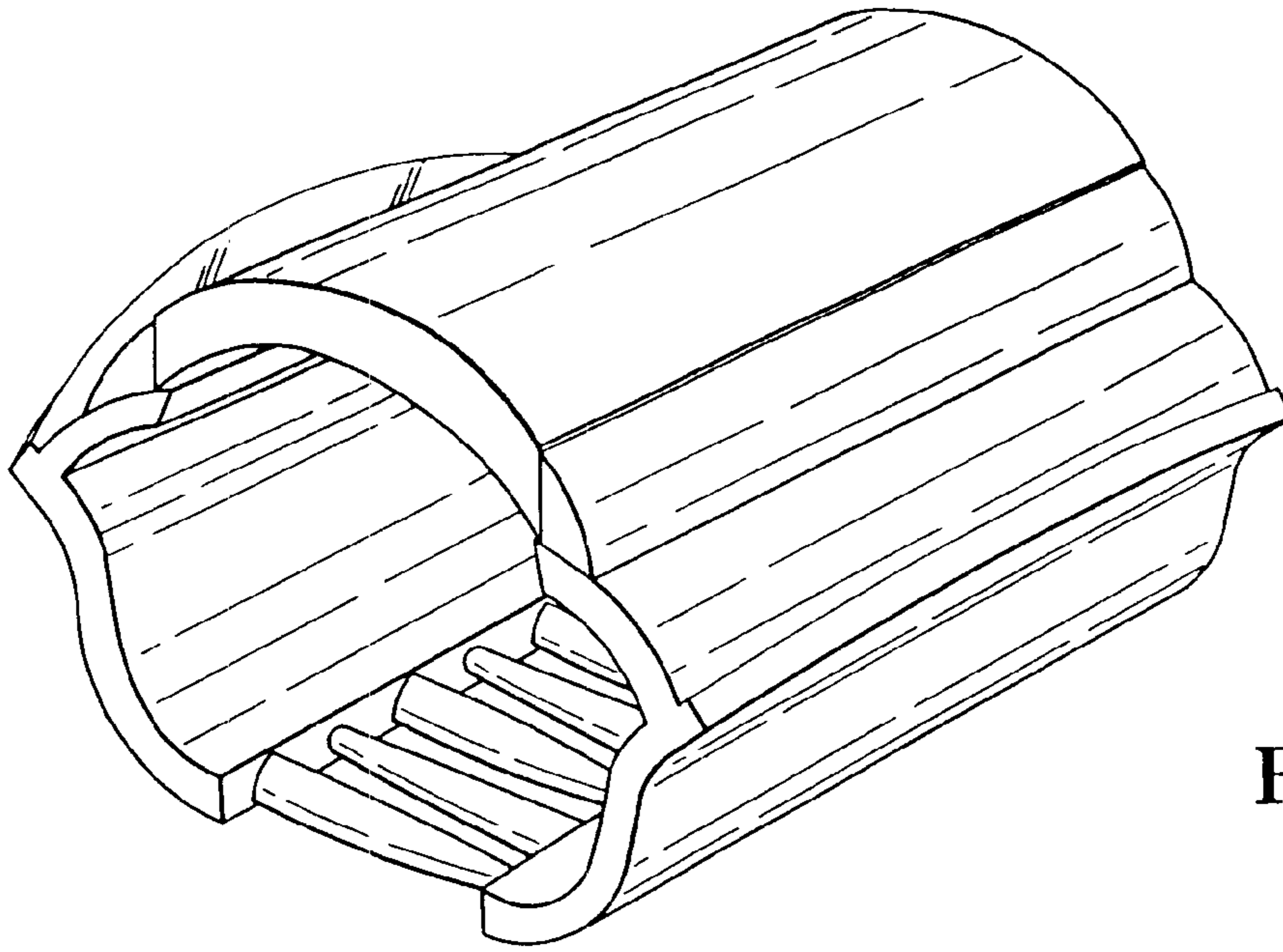


FIG. 5

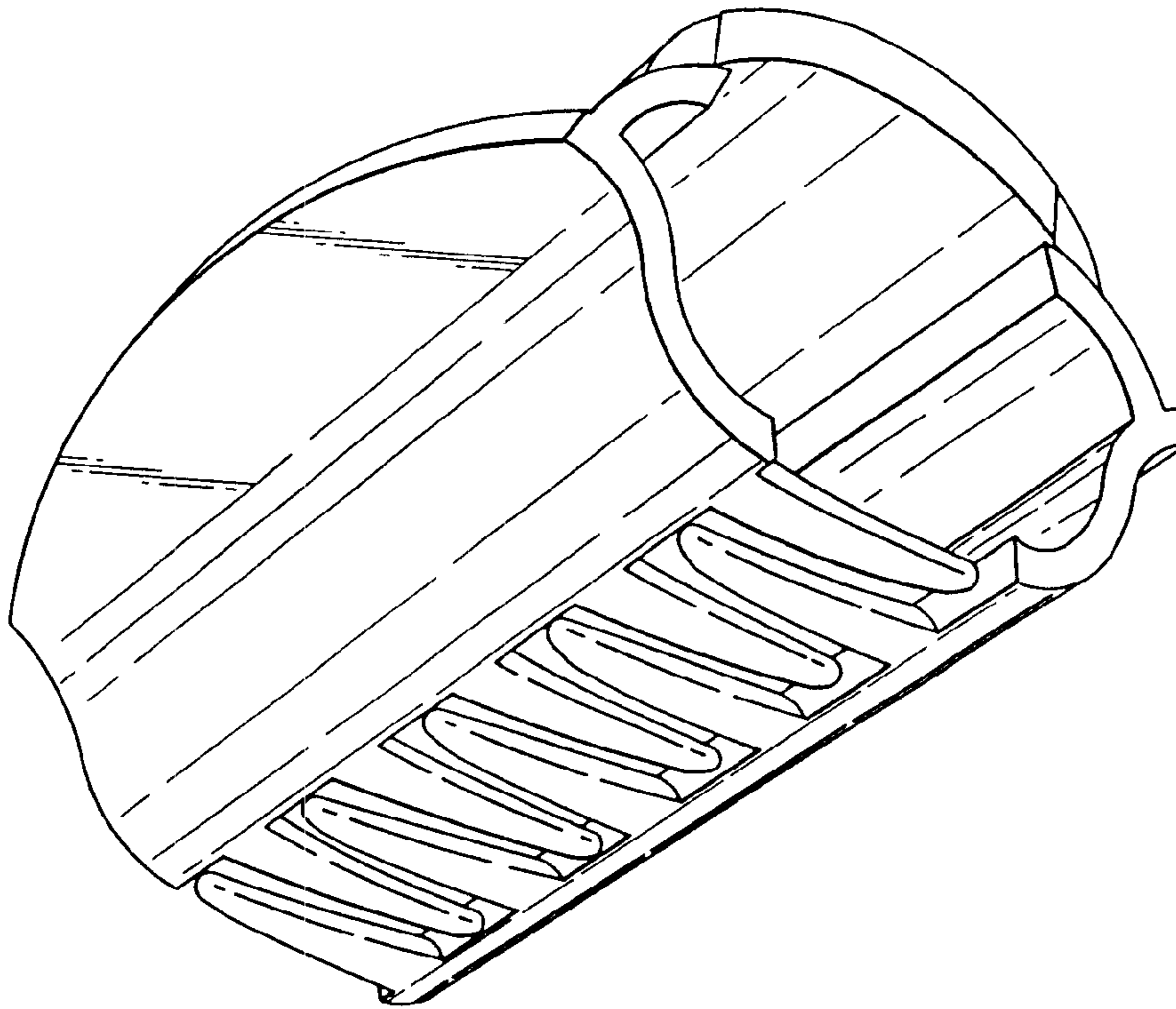


FIG. 6