



US00D483518S

(12) **United States Design Patent**  
**Chandler**

(10) **Patent No.:** **US D483,518 S**

(45) **Date of Patent:** **\*\* Dec. 9, 2003**

(54) **HANGING LAMP SUPPORT**

D389,946 S \* 1/1998 Hutton ..... D26/153

(75) Inventor: **George B. Chandler**, Hubbardton, VT  
(US)

\* cited by examiner

*Primary Examiner*—Jennifer Rivard

(73) Assignee: **Hubbardton Forge**, Castleton, VT  
(US)

(74) *Attorney, Agent, or Firm*—Burr & Brown

(\*\*) Term: **14 Years**

(57) **CLAIM**

The ornamental design for a hanging lamp support, as shown and described.

(21) Appl. No.: **29/177,436**

**DESCRIPTION**

(22) Filed: **Mar. 10, 2003**

(51) **LOC (7) Cl.** ..... **26-99**

(52) **U.S. Cl.** ..... **D26/138; D25/131**

(58) **Field of Search** ..... D6/495; D26/113,  
D26/118, 153, 155, 138; 362/410, 431,  
432, 404; D25/126, 127, 131

FIG. 1 is a perspective view of the hanging lamp support in accordance with my new design;

FIG. 2 is a rear view thereof;

FIG. 3 is a front view thereof;

FIG. 4 is a bottom view thereof, taken from the plane 4—4 shown in FIG. 2;

FIG. 5 is a top view thereof;

FIG. 6 is a right view thereof; and,

FIG. 7 is left view thereof.

The portions shown in broken lines are for illustrative purposes only and form no part of the claimed design.

(56) **References Cited**

**U.S. PATENT DOCUMENTS**

D30,344 S \* 3/1899 Turner ..... D6/495  
D359,813 S \* 6/1995 Hoffman et al. .... D25/131

**1 Claim, 6 Drawing Sheets**

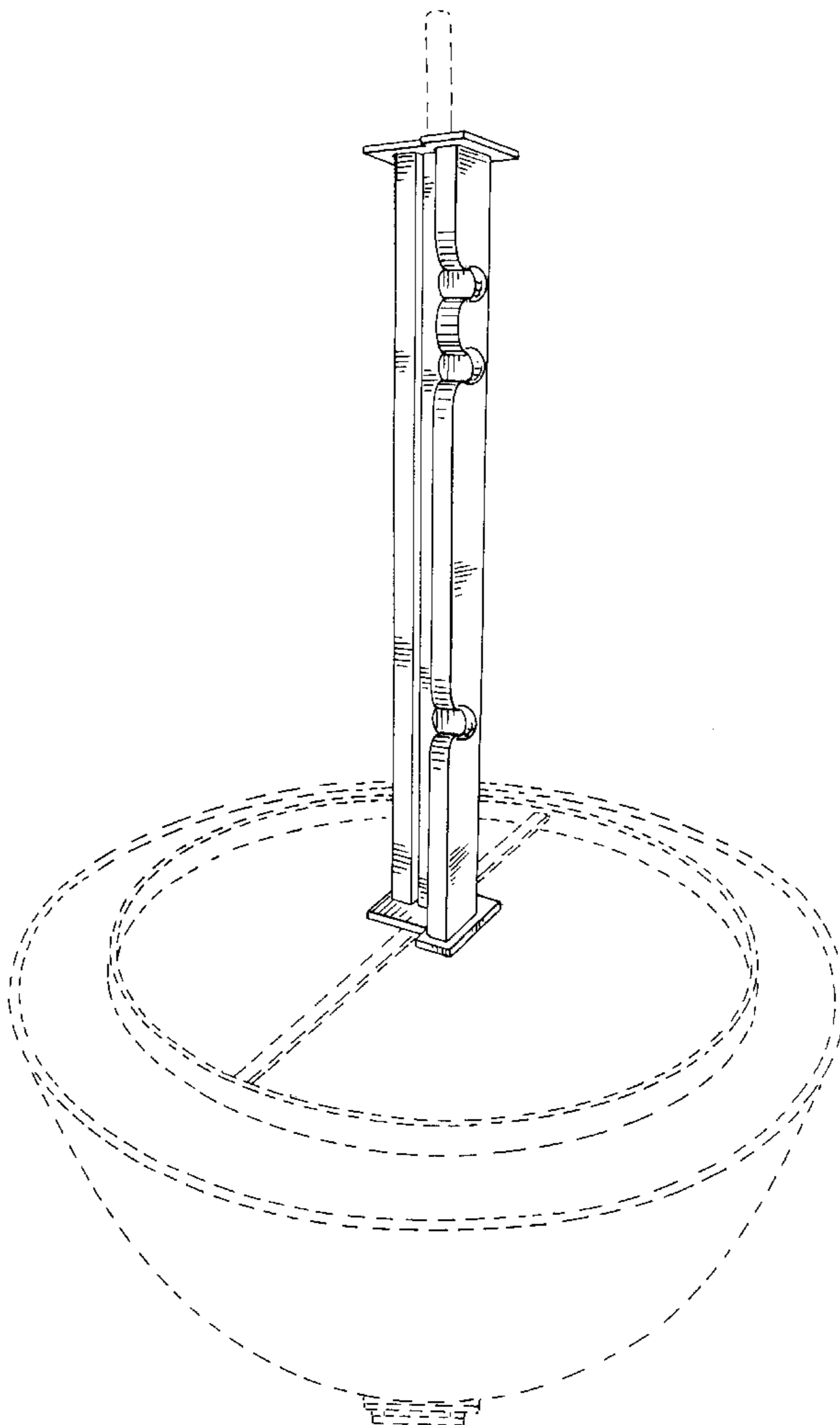


Fig. 1

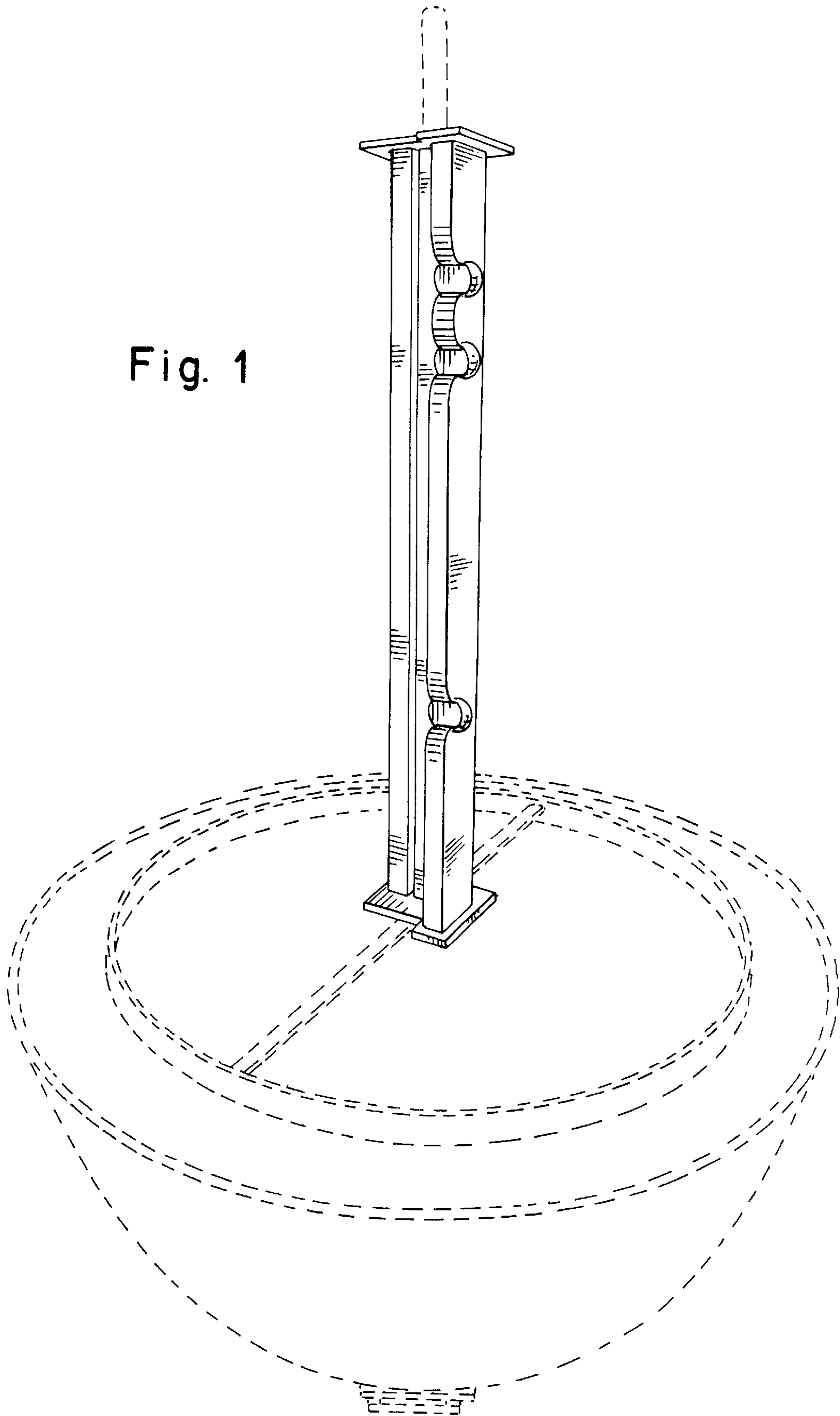


Fig. 2

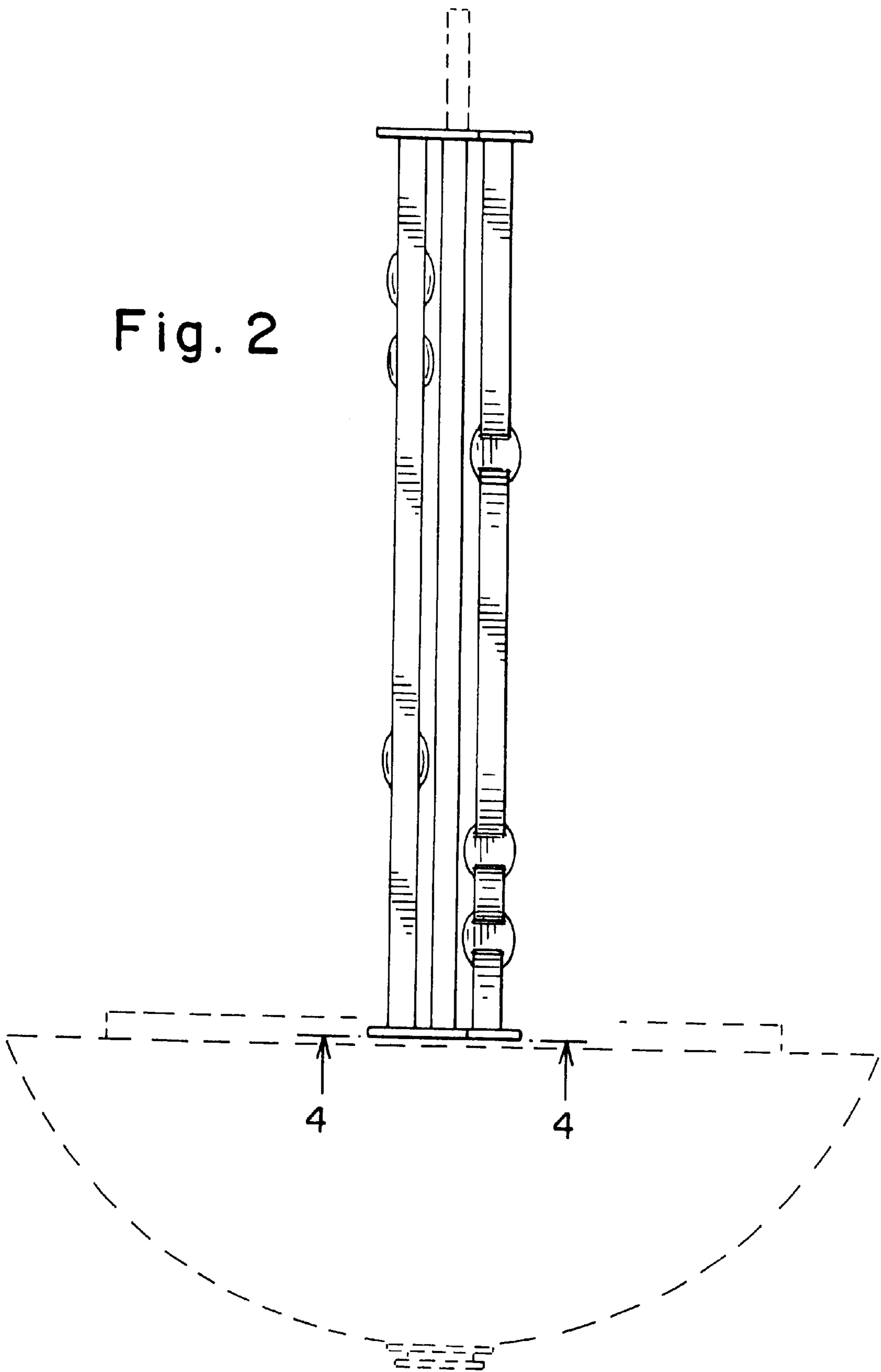


Fig. 3

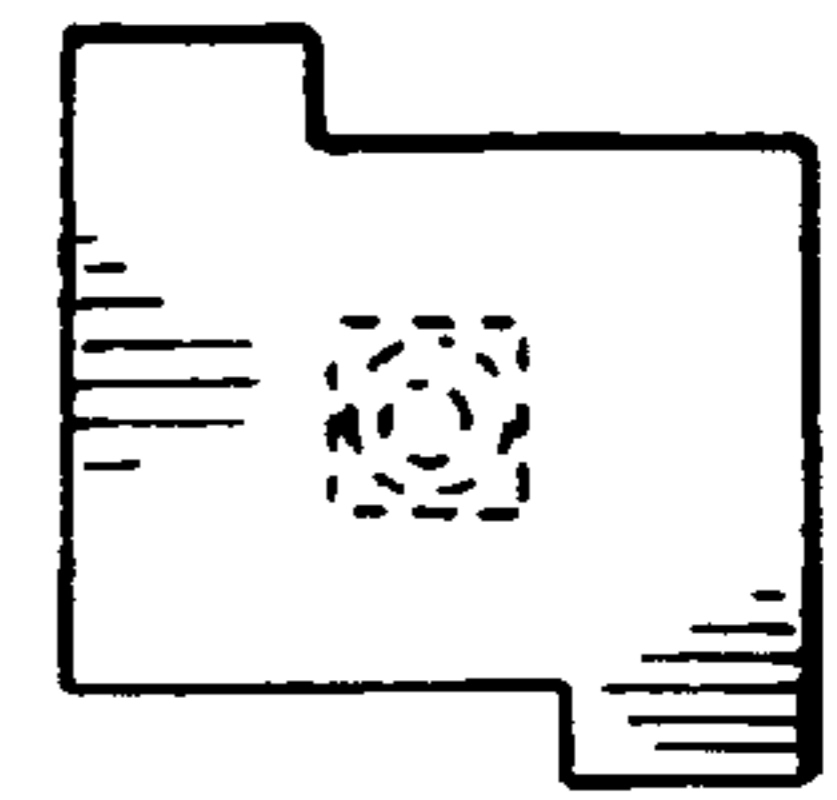
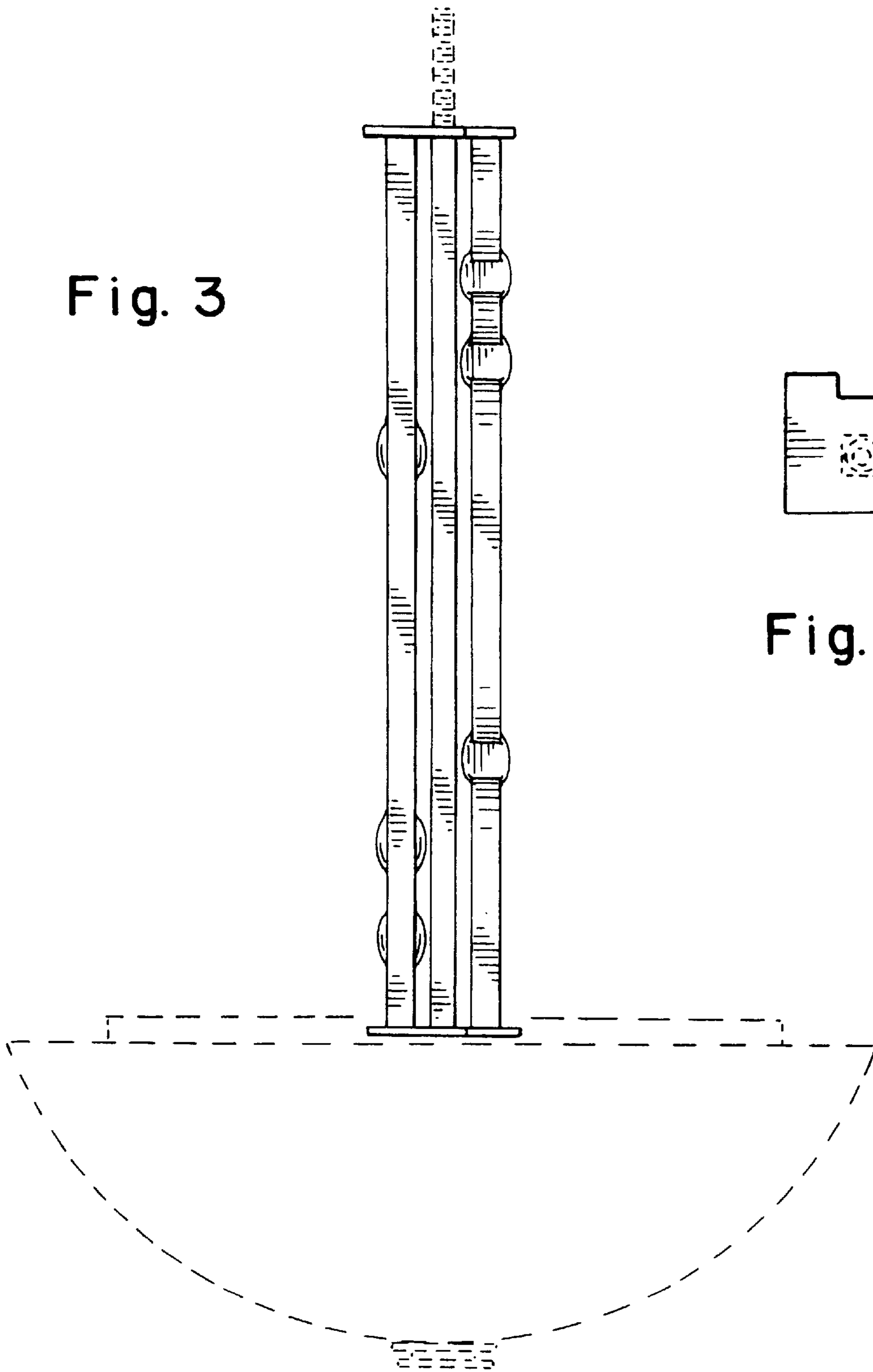


Fig. 4

Fig. 5

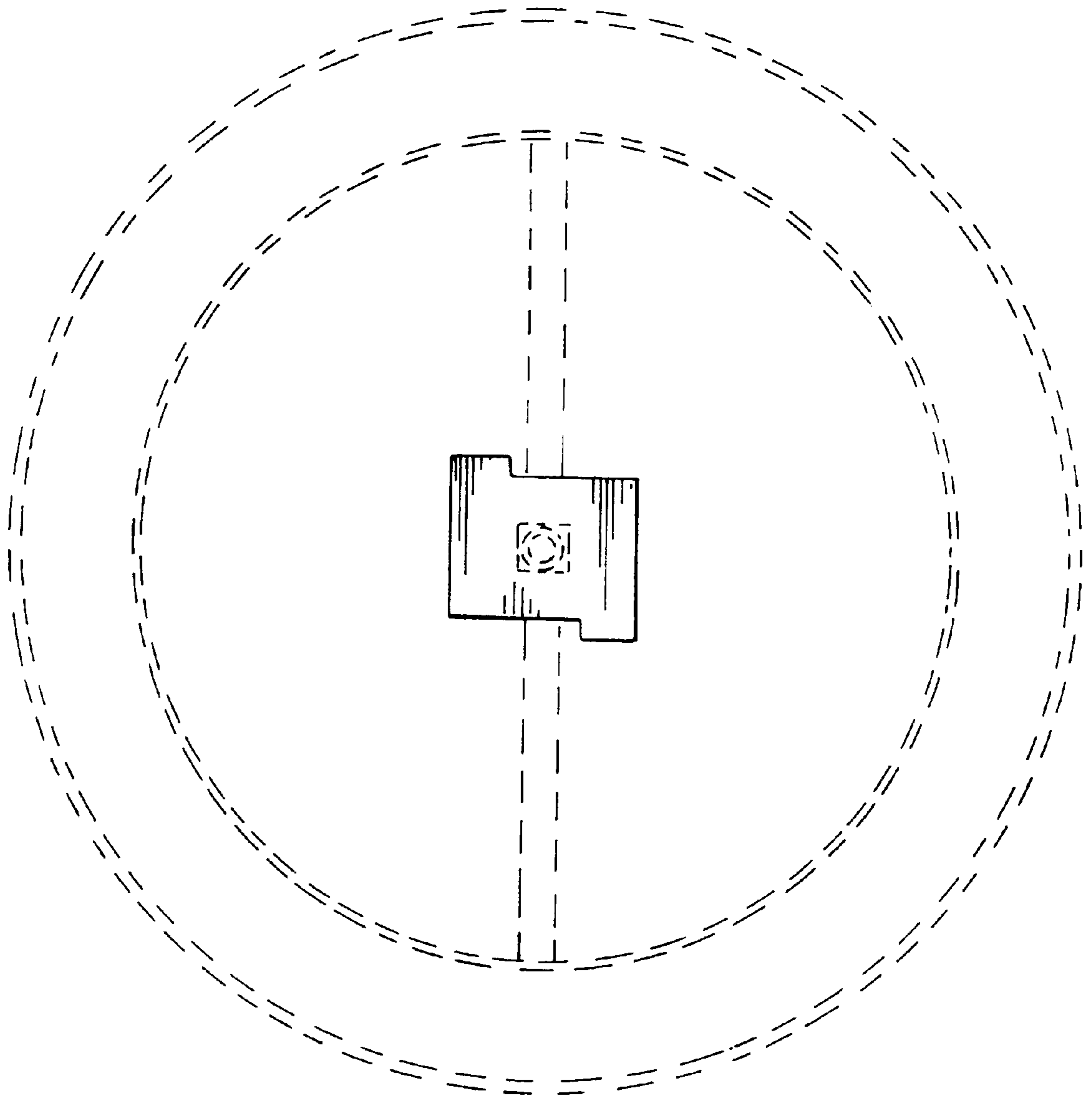


Fig. 6

