



US00D483512S

(12) **United States Design Patent** (10) **Patent No.:** **US D483,512 S**
Hsu (45) **Date of Patent:** **** Dec. 9, 2003**

(54) **WALL LAMP**

(75) Inventor: **Kevin Hsu**, Taichung (TW)

(73) Assignee: **Dong Guan Bright Yin Huey Lighting Co., Ltd.**, Guang Dong (CN)

(**) Term: **14 Years**

(21) Appl. No.: **29/177,288**

(22) Filed: **Mar. 10, 2003**

(51) **LOC (7) Cl.** **26-03**

(52) **U.S. Cl.** **D26/80; D26/92**

(58) **Field of Search** **D26/72, 80-92; 362/147, 363, 367, 368, 404-408, 432**

(56) **References Cited**

U.S. PATENT DOCUMENTS

D461,268 S * 8/2002 Hsu D26/86

OTHER PUBLICATIONS

Progress Lighting Product catalog #124; (c)2000; p. 251; item P2993-10.*

Corbett Wall Sconce Lighting catalog (c)1994; p. W16; item 8362(center of photo).*

Progress Lighting Product Catalog #124 (c)2000; p. 243; item P3073-34.*

Progress Lighting Product Catalog #124 (c)2000; p. 183; item P3587-18.*

* cited by examiner

Primary Examiner—Clare E. Heflin

(74) *Attorney, Agent, or Firm*—Rosenberg, Klein & Lee

(57) **CLAIM**

The ornamental design for a wall lamp, as shown and described.

DESCRIPTION

FIG. 1 is a perspective view of wall lamp showing my new design;

FIG. 2 is a front elevation view thereof;

FIG. 3 is a rear elevation view thereof;

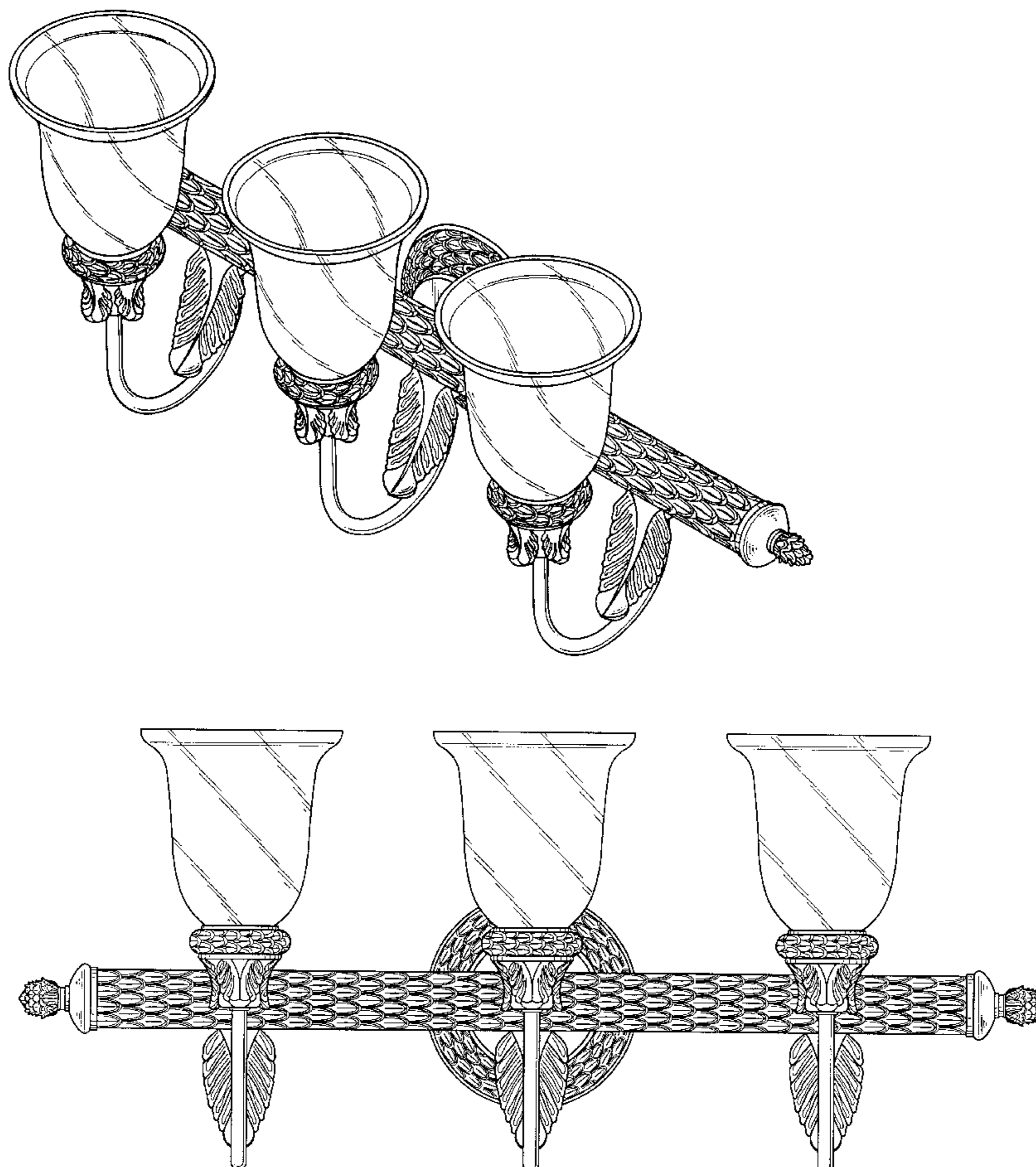
FIG. 4 is a left side elevation view thereof;

FIG. 5 is a right side elevation view thereof;

FIG. 6 is a top plan view thereof; and,

FIG. 7 is a bottom plan view thereof.

1 Claim, 6 Drawing Sheets



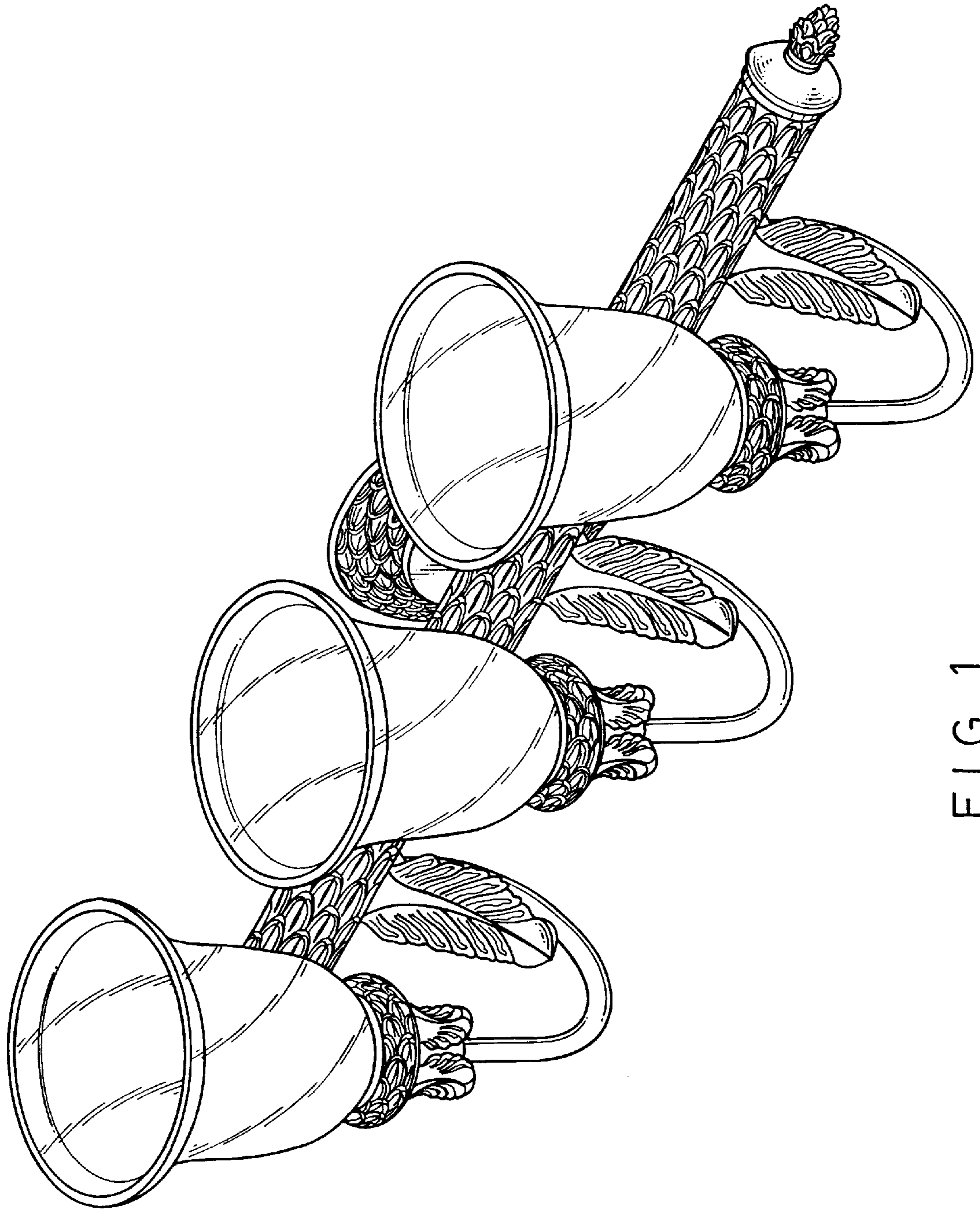


FIG. 1

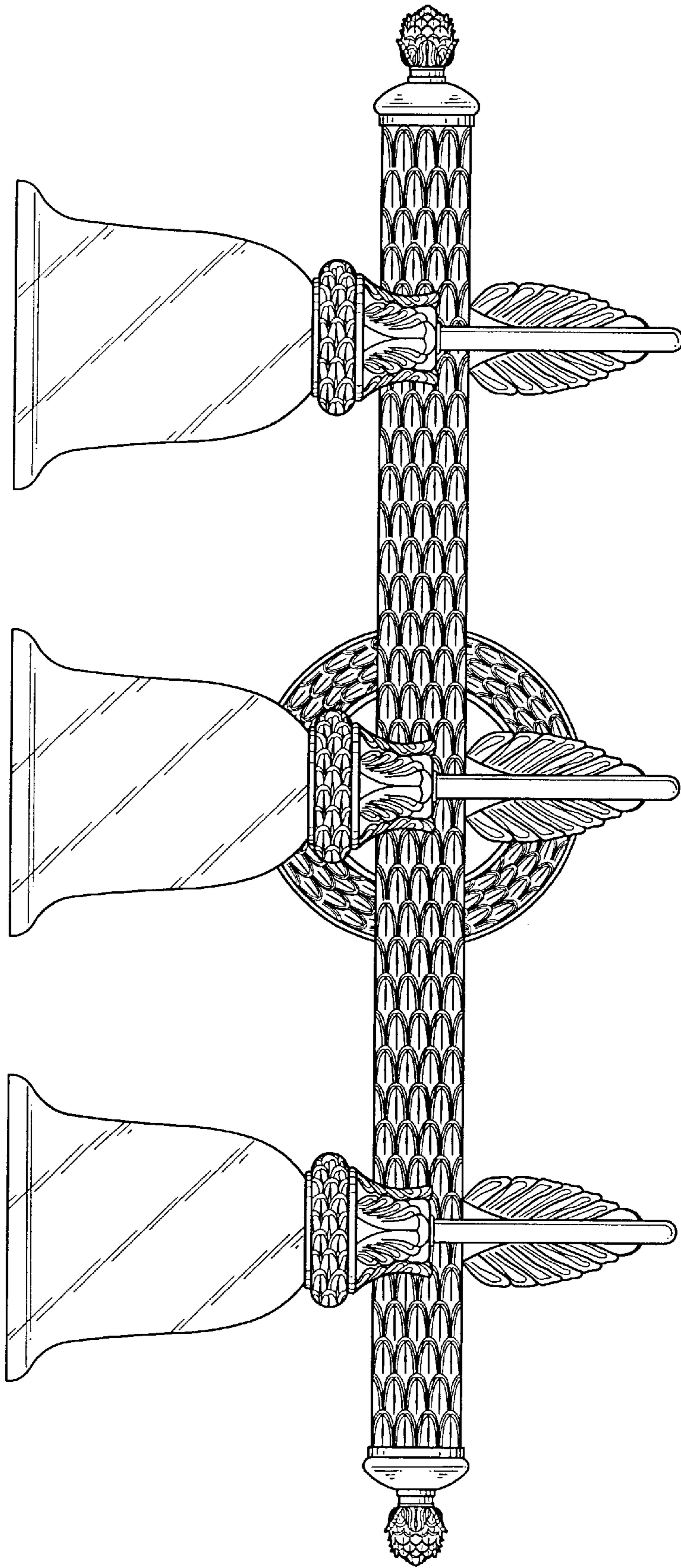


FIG. 2

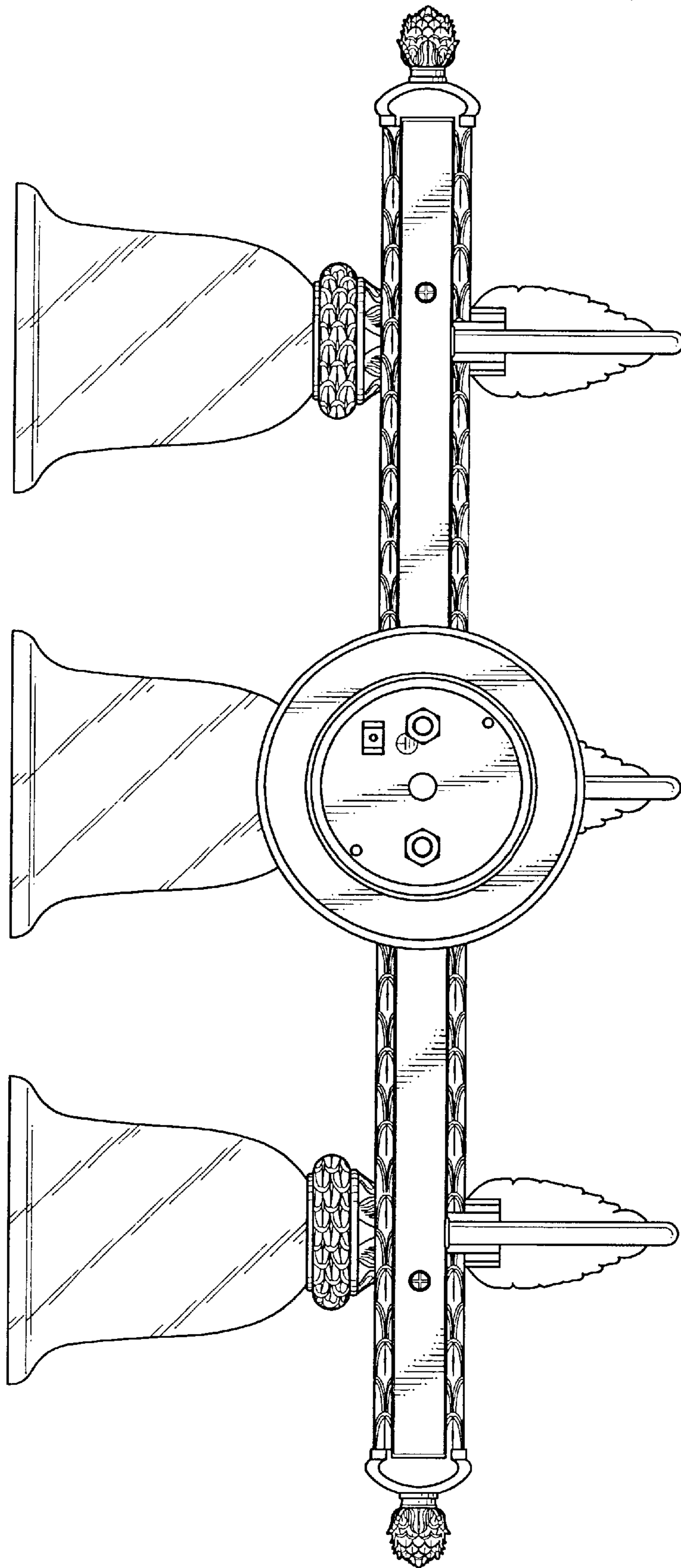


FIG. 3

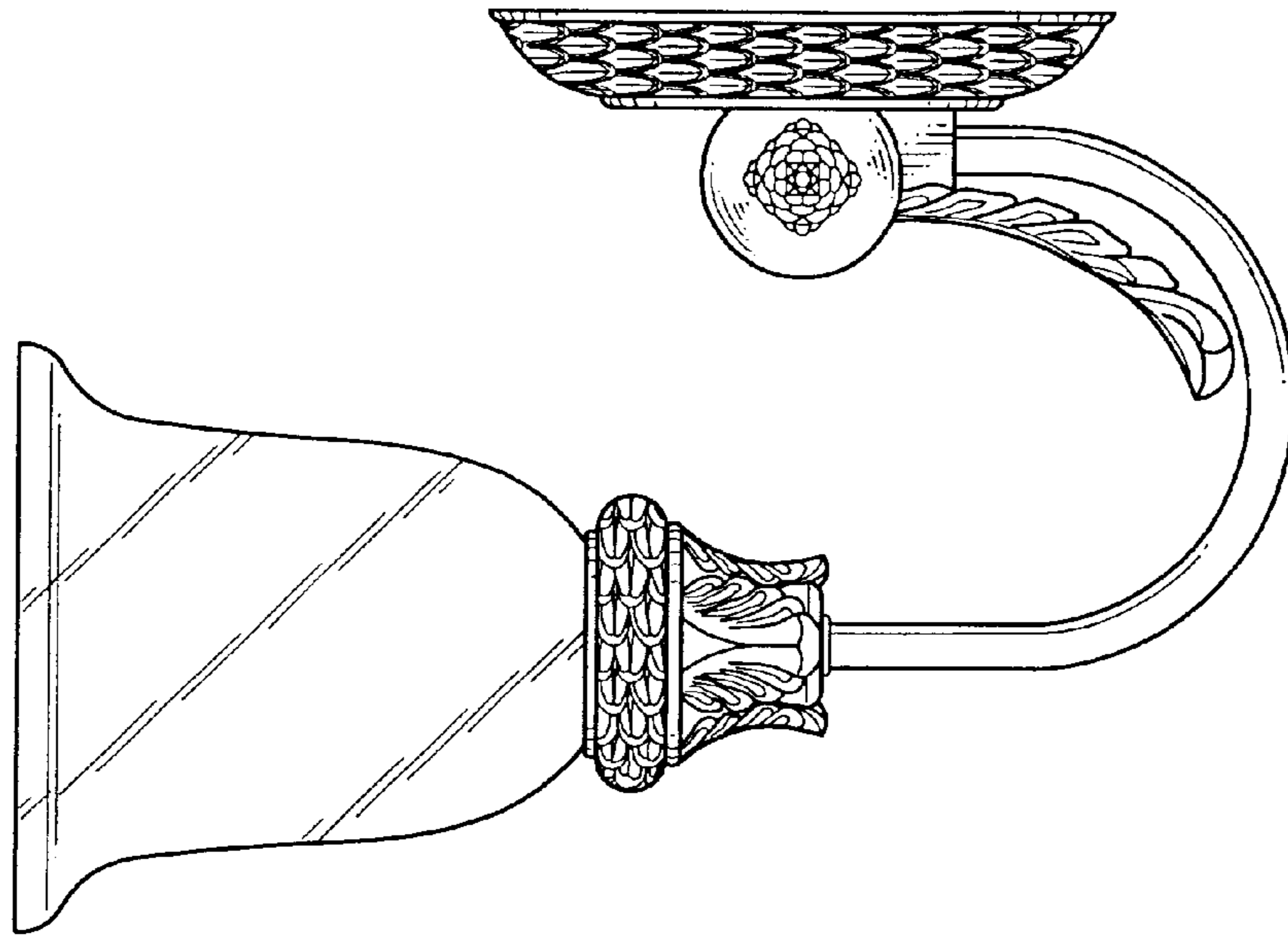


FIG. 5

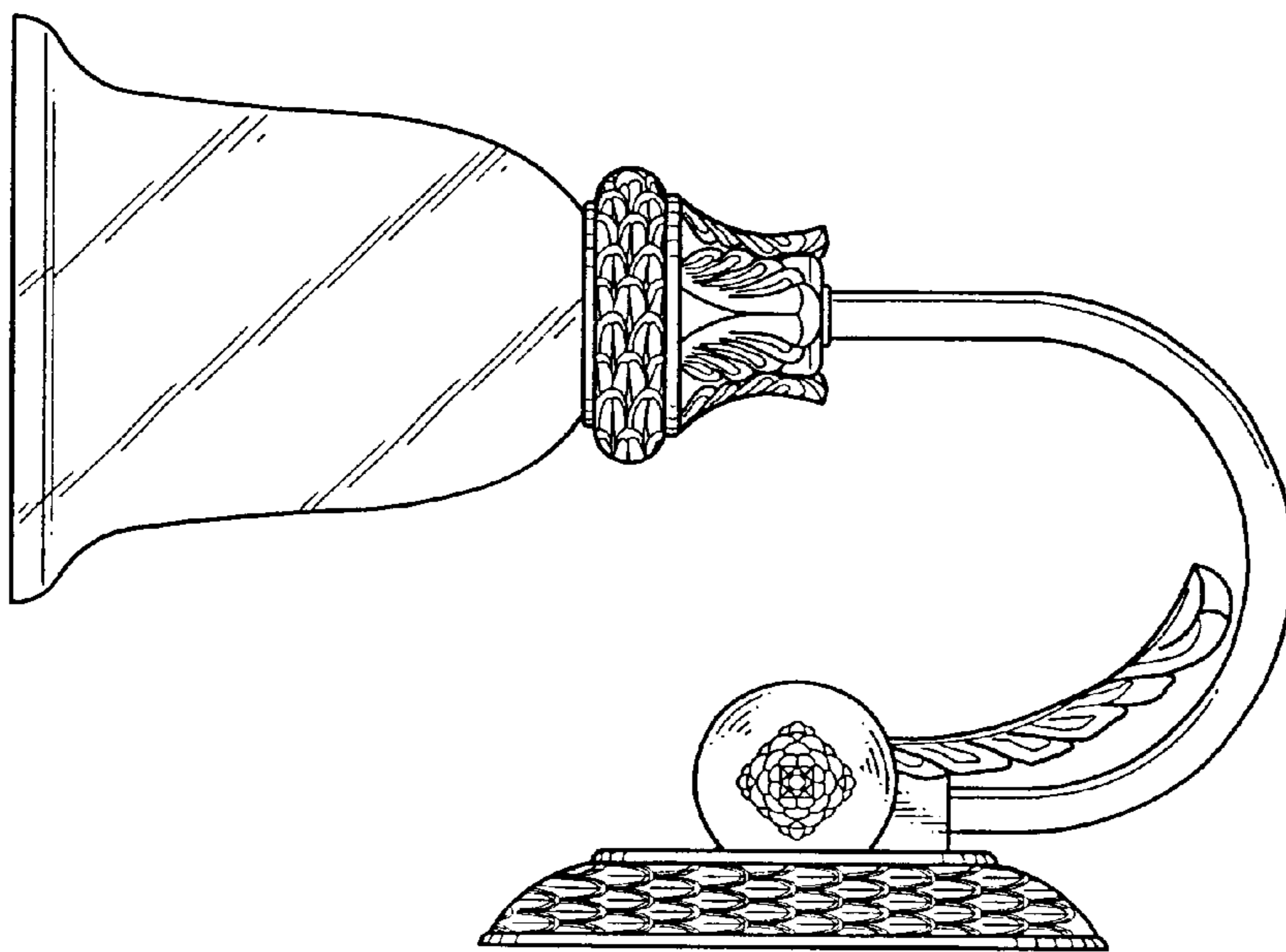


FIG. 4

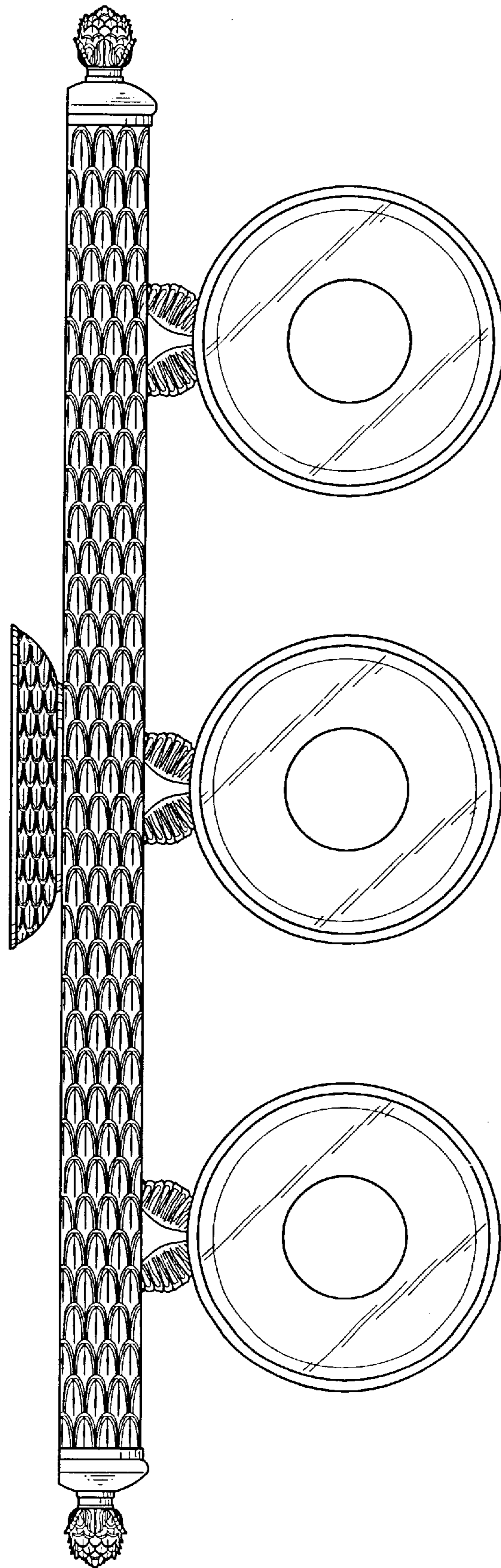


FIG. 6

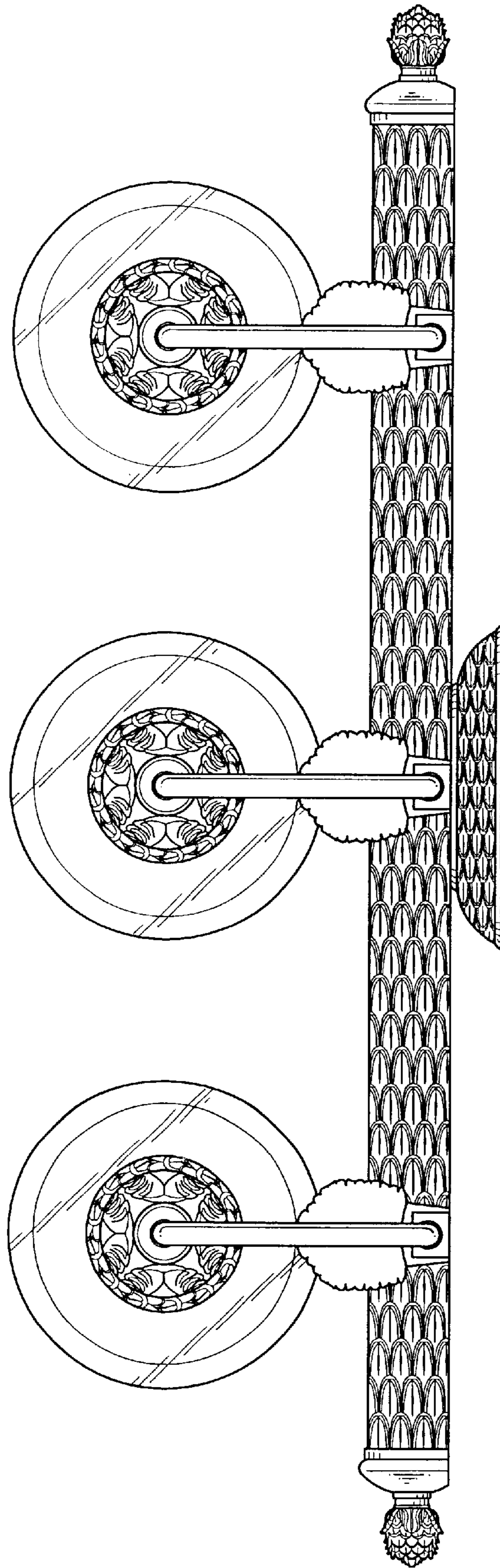


FIG. 7