



US00D483510S

(12) **United States Design Patent**  
**Fritze et al.**

(10) **Patent No.:** **US D483,510 S**  
(45) **Date of Patent:** **\*\* Dec. 9, 2003**

- (54) **CEILING LIGHT**
- (75) Inventors: **Torsten Fritze**, Milan (IT); **Matthias Burhenne**, Milan (IT)
- (73) Assignee: **Zumtobel Staff GmbH**, Dornbirn (AT)
- (\*\*) Term: **14 Years**
- (21) Appl. No.: **29/176,555**
- (22) Filed: **Feb. 26, 2003**

D364,478 S	11/1995	Pesau	.....	D26/76
5,521,801 A	5/1996	Pesau et al.	.....	362/147
D397,819 S	9/1998	Thorton, Jr.	.....	D26/77
D413,402 S	8/1999	Ranieri et al.	.....	D26/74
5,988,829 A	11/1999	Holder	.....	362/223
D459,517 S	6/2002	Shemitz et al.	.....	D26/76

*Primary Examiner*—Clare E. Heflin  
(74) *Attorney, Agent, or Firm*—Fitzpatrick, Cella, Harper & Scinto

**Related U.S. Application Data**

- (62) Division of application No. 29/146,349, filed on Aug. 9, 2001.

(30) **Foreign Application Priority Data**

- Feb. 9, 2001 (DE) ..... 401 01 524
- (51) **LOC (7) Cl.** ..... **26-05**
- (52) **U.S. Cl.** ..... **D26/75**
- (58) **Field of Search** ..... D26/72, 75-79;  
362/217-223

(56) **References Cited**

**U.S. PATENT DOCUMENTS**

2,202,266 A	5/1940	Phillips	.....	362/223
D132,982 S	7/1942	Beck	.....	D26/77
D321,407 S	11/1991	Heidmann	.....	D26/72

(57) **CLAIM**

The ornamental design for a ceiling light, as shown and described.

**DESCRIPTION**

FIG. 1 is a perspective view of the bottom of a ceiling lamp which embodies the design and which comprises a pair of curved reflectors, a spill shield between and below the reflectors, and a pair of diffusers which extend between the spill shield and the respective reflectors on opposite sides of a fluorescent tube (not shown). The fluorescent tube does not constitute part of the design;

FIG. 2 is an enlarged fragmentary view showing one end of the reflectors and the spill shield of the ceiling lamp of FIG. 1; and,

FIG. 3 is an enlarged fragmentary view similar to FIG. 2 but showing one of the diffusers of the ceiling lamp of FIG. 1.

**1 Claim, 2 Drawing Sheets**

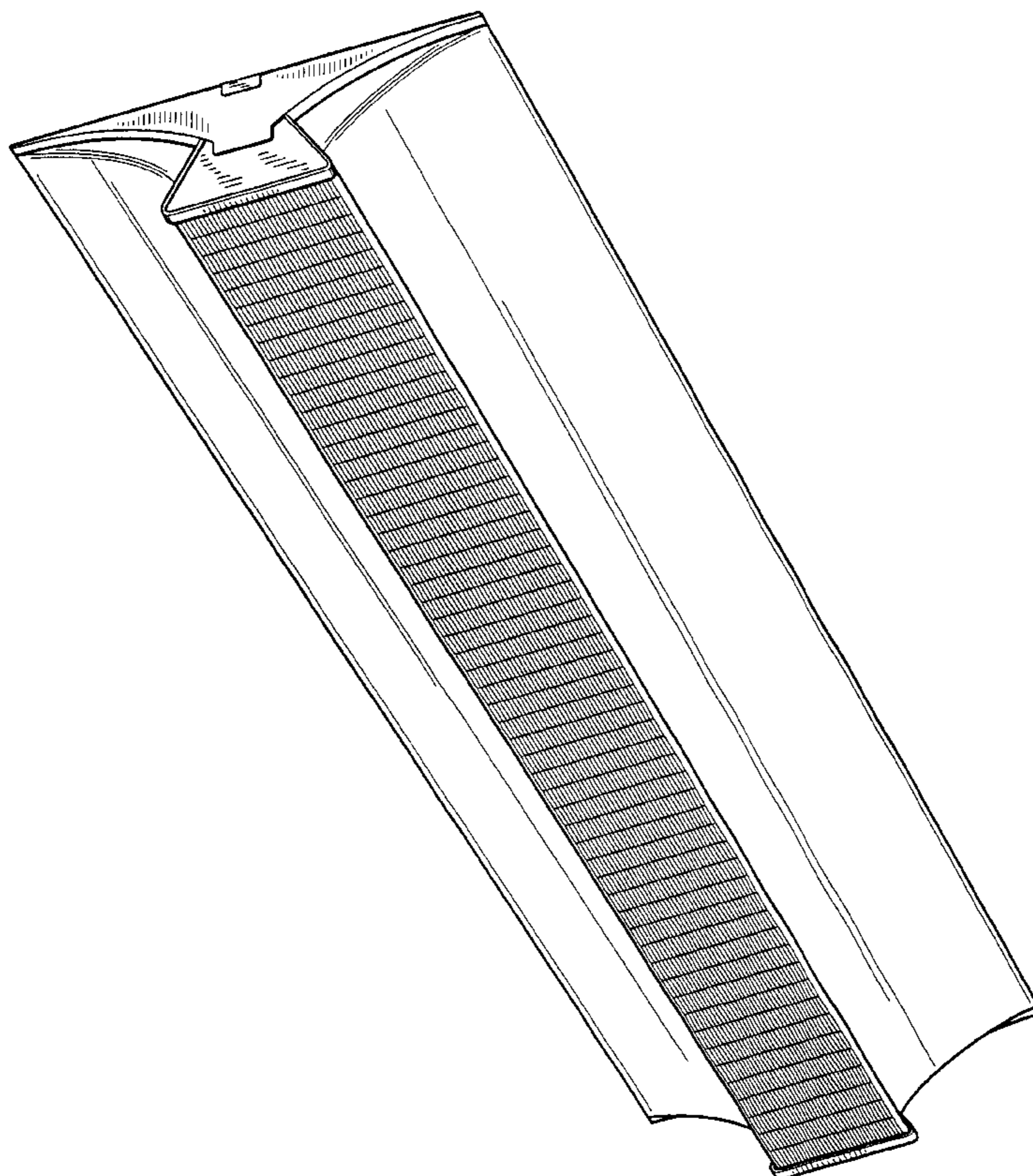


FIG. 1

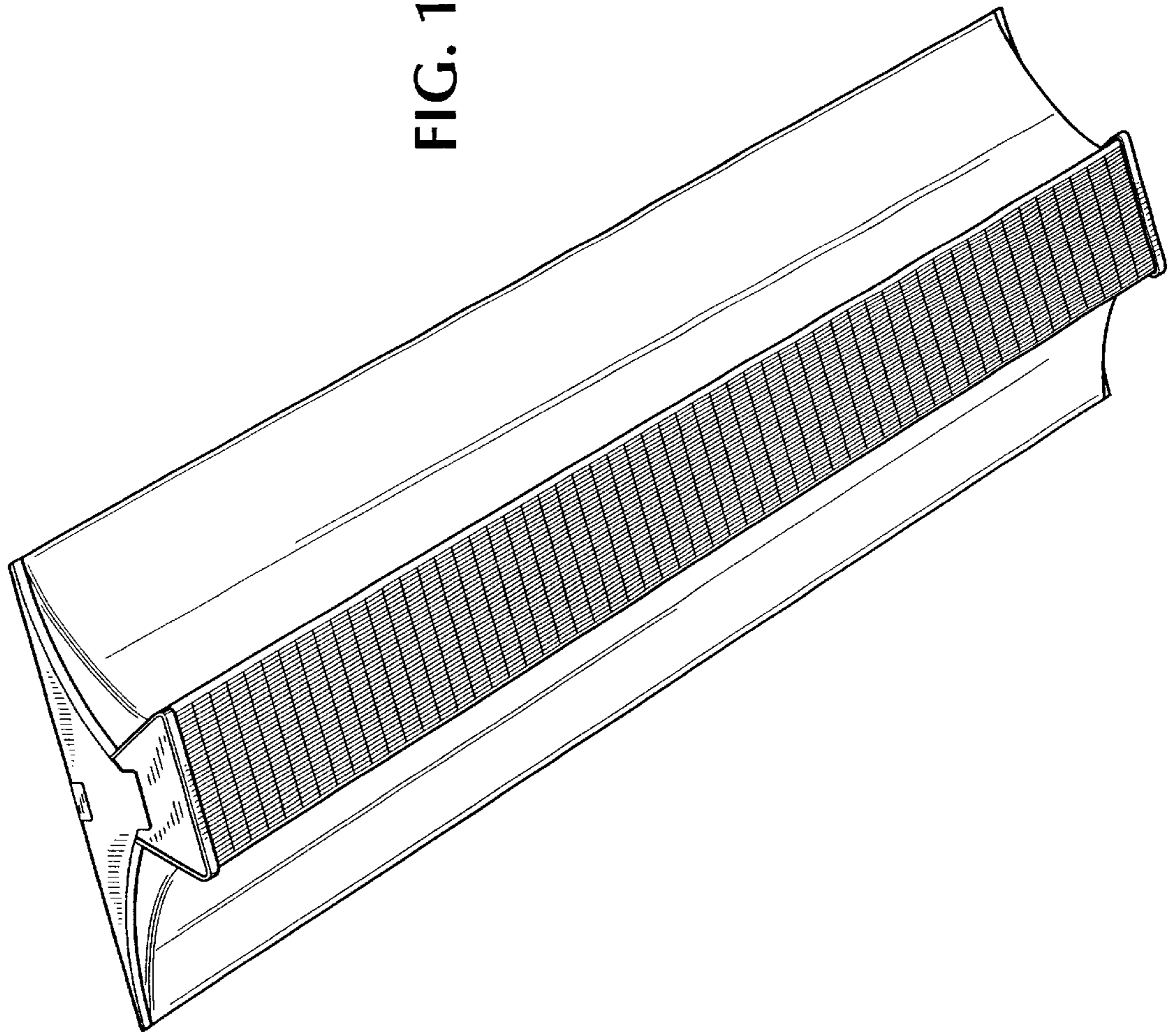


FIG. 2

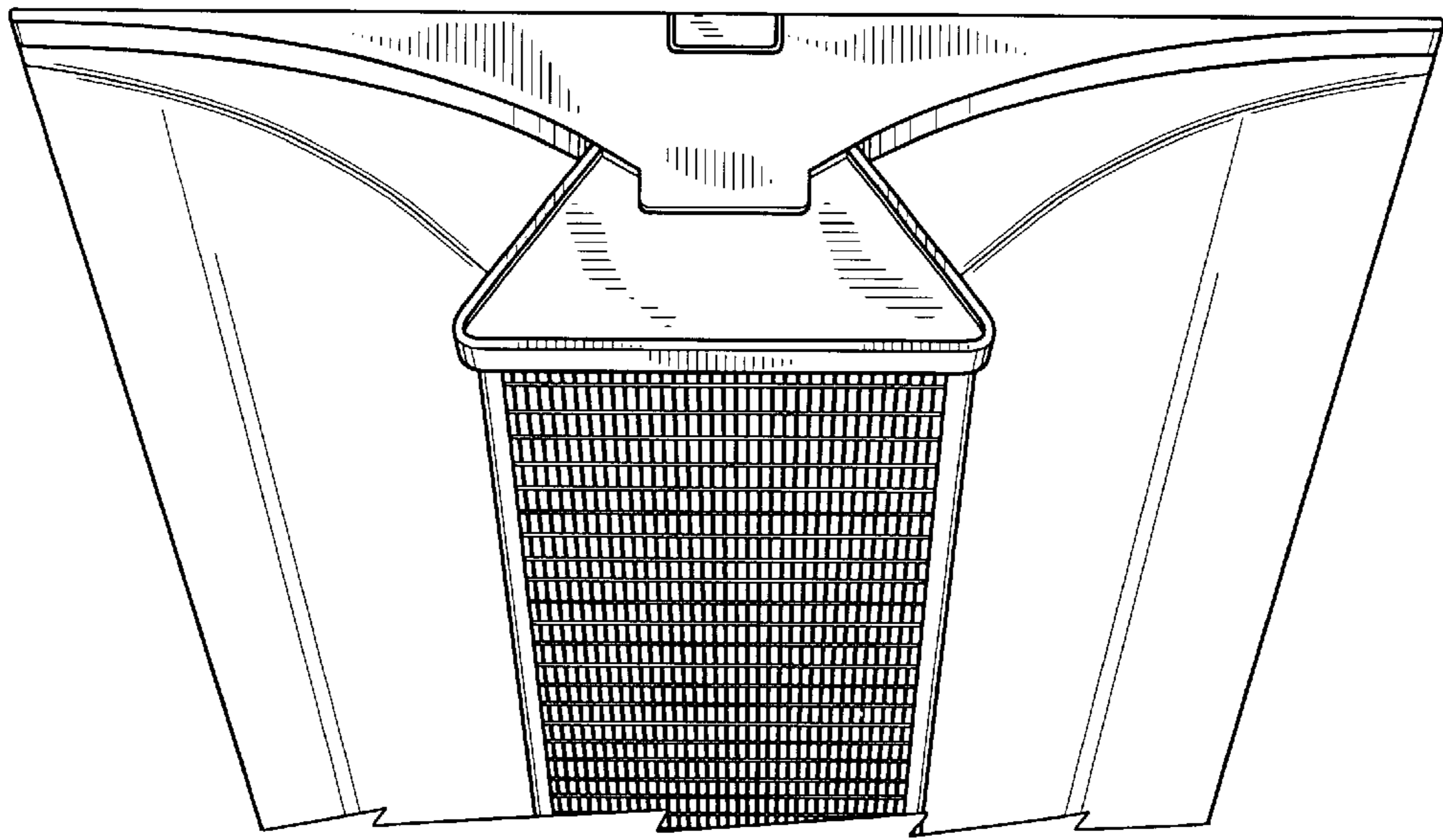


FIG. 3

