



US00D483508S

(12) **United States Design Patent**
Galvez

(10) **Patent No.:** **US D483,508 S**

(45) **Date of Patent:** **** Dec. 9, 2003**

(54) **SHOP LIGHT**

D458,400 S * 6/2002 Kovacik et al. D26/50

(75) Inventor: **James M. Galvez**, San Dimas, CA
(US)

* cited by examiner

(73) Assignee: **National Electric Mfg. Corp.**,
Commerce, CA (US)

Primary Examiner—Marcus A. Jackson
(74) *Attorney, Agent, or Firm*—Edgar W. Averill, Jr.

(**) Term: **14 Years**

(57) **CLAIM**

The ornamental design for a shop light.

(21) Appl. No.: **29/176,538**

DESCRIPTION

(22) Filed: **Feb. 25, 2003**

(51) **LOC (7) Cl.** **26-02**

(52) **U.S. Cl.** **D26/44; D26/50**

(58) **Field of Search** D26/37-50; 362/157,
362/158, 171, 172, 173, 183-208

FIG. 1 is a perspective view showing the front, top and left side of the shop light showing my new design, with the broken away area indicating indeterminate length.

FIG. 2 is a front view thereof.

FIG. 3 is a rear view thereof.

FIG. 4 is a right side view thereof.

FIG. 5 is a top view thereof; and,

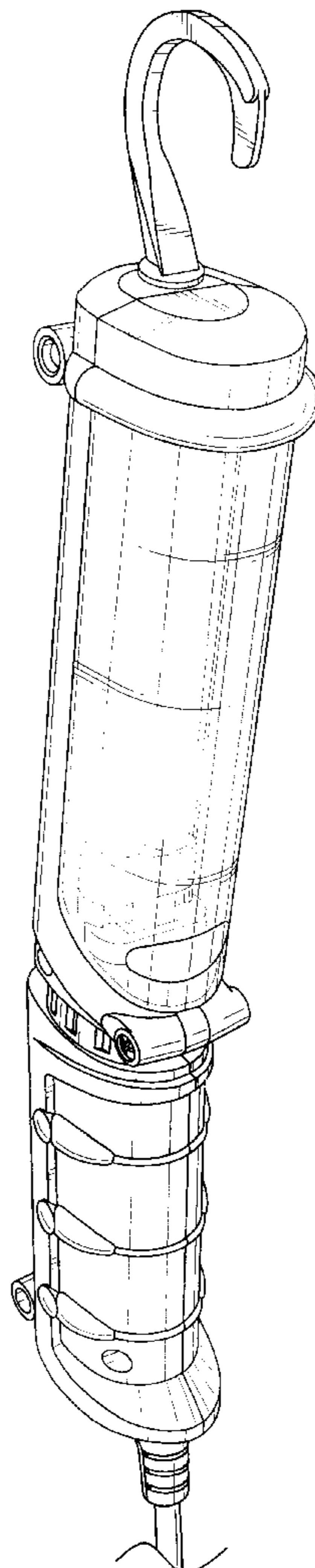
FIG. 6 is a bottom view thereof.

(56) **References Cited**

U.S. PATENT DOCUMENTS

D440,678 S * 4/2001 Yuen D26/44

1 Claim, 2 Drawing Sheets



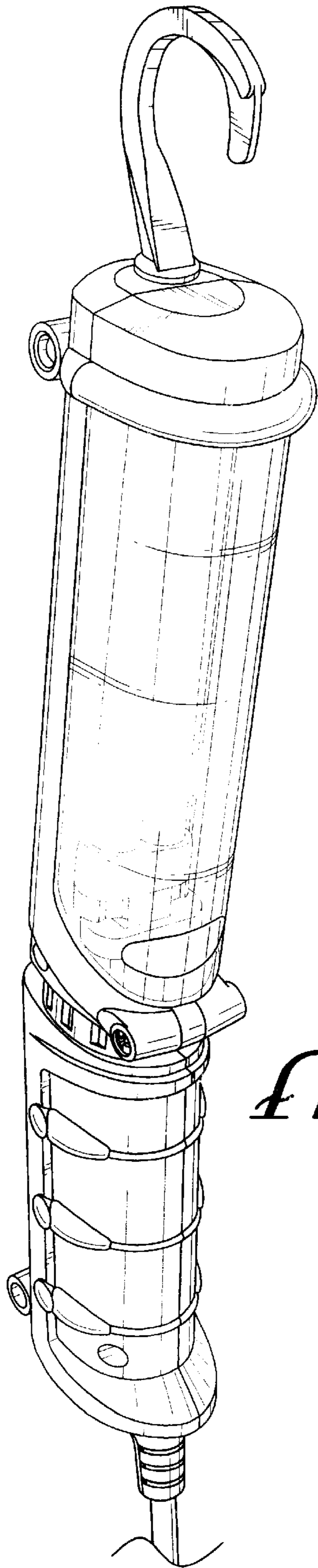


FIG. 1

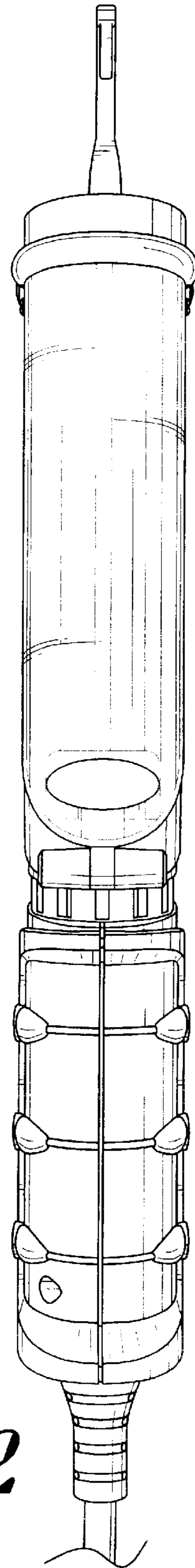


FIG. 2

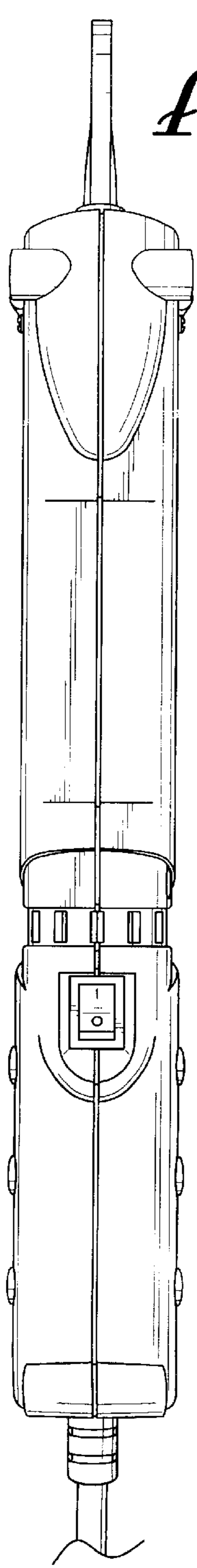


FIG. 3

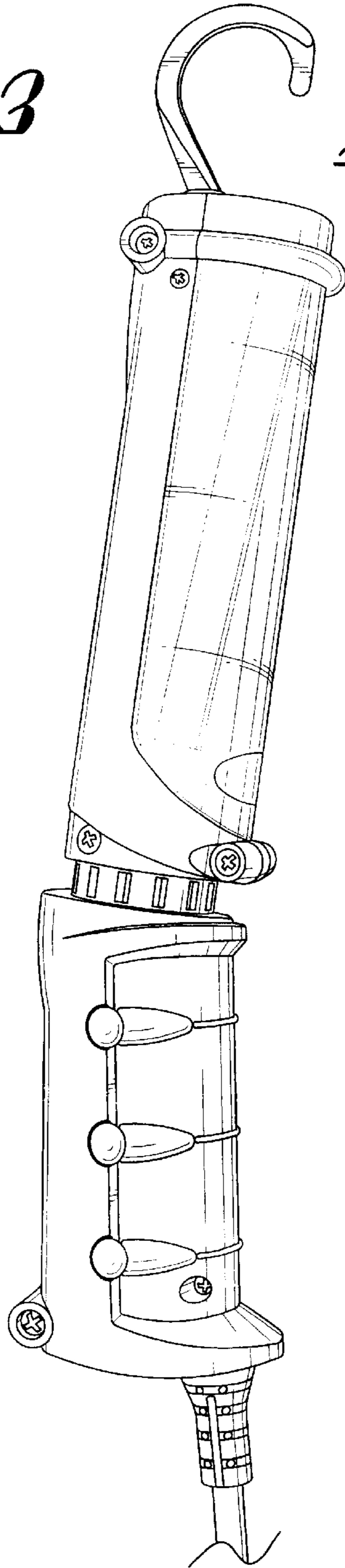


FIG. 4

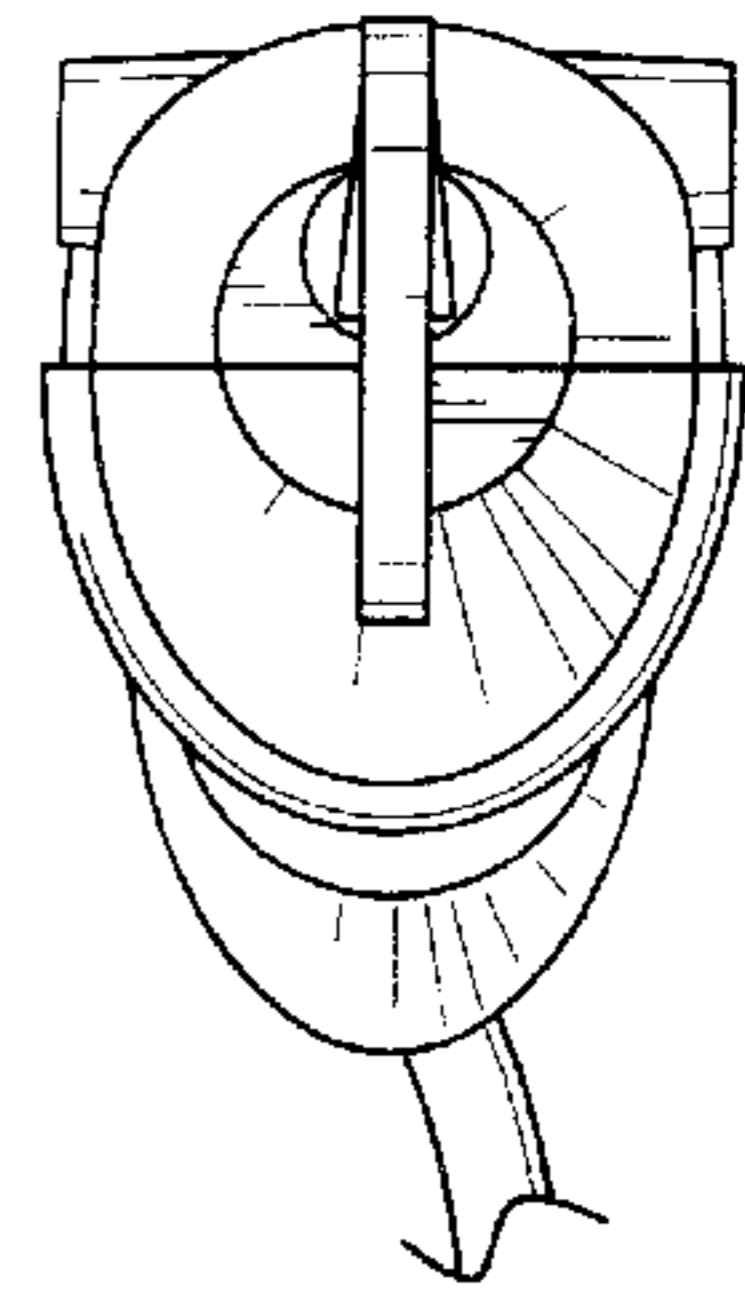


FIG. 5

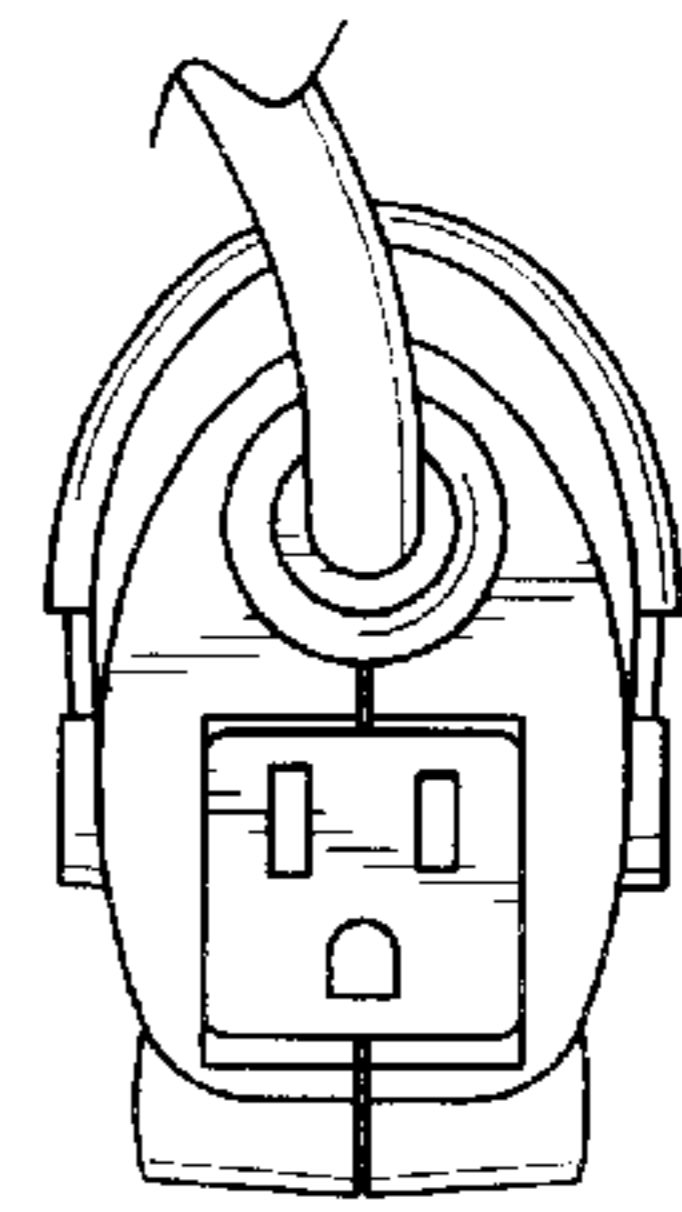


FIG. 6