



US00D483503S

(12) **United States Design Patent**
Krieger et al.

(10) **Patent No.:** **US D483,503 S**

(45) **Date of Patent:** **** Dec. 9, 2003**

(54) **RECHARGEABLE LIGHT FOR POWER OUTAGES**

(75) Inventors: **Michael Krieger**, Miami Beach, FL (US); **Kevin Ellsworth**, Hollywood, FL (US)

(73) Assignee: **Vector Products, Inc.**, Ft. Lauderdale, FL (US)

(**) Term: **14 Years**

(21) Appl. No.: **29/175,574**

(22) Filed: **Feb. 7, 2003**

(51) **LOC (7) Cl.** **26-05**

(52) **U.S. Cl.** **D26/26**

(58) **Field of Search** D26/26, 125, 73; D23/367; 362/95, 226, 276, 282, 296, 300, 311, 347, 349, 355, 361, 248

(56) **References Cited**

U.S. PATENT DOCUMENTS

5,392,202 A * 2/1995 Herron 362/95
5,481,422 A * 1/1996 Okayama et al. 360/120

OTHER PUBLICATIONS

Hong Kong Enterprise vol. 10, 1999; p. 449, items SNL-500 and SNL-300.*

Hong Kong Enterprise vol. 10; 1999; p. 282; Model No. 808.*

* cited by examiner

Primary Examiner—Clare E. Heflin

(74) *Attorney, Agent, or Firm*—Venable LLP; Robert Kinberg

(57) **CLAIM**

The ornamental design for a rechargeable light for power outages, as shown and described.

DESCRIPTION

FIG. 1 is a perspective view from the front-top-right side of the rechargeable light for power outages showing our new design;

FIG. 2 is a front view of the design shown in FIG. 1;

FIG. 3 is a rear view of the design shown in FIG. 1;

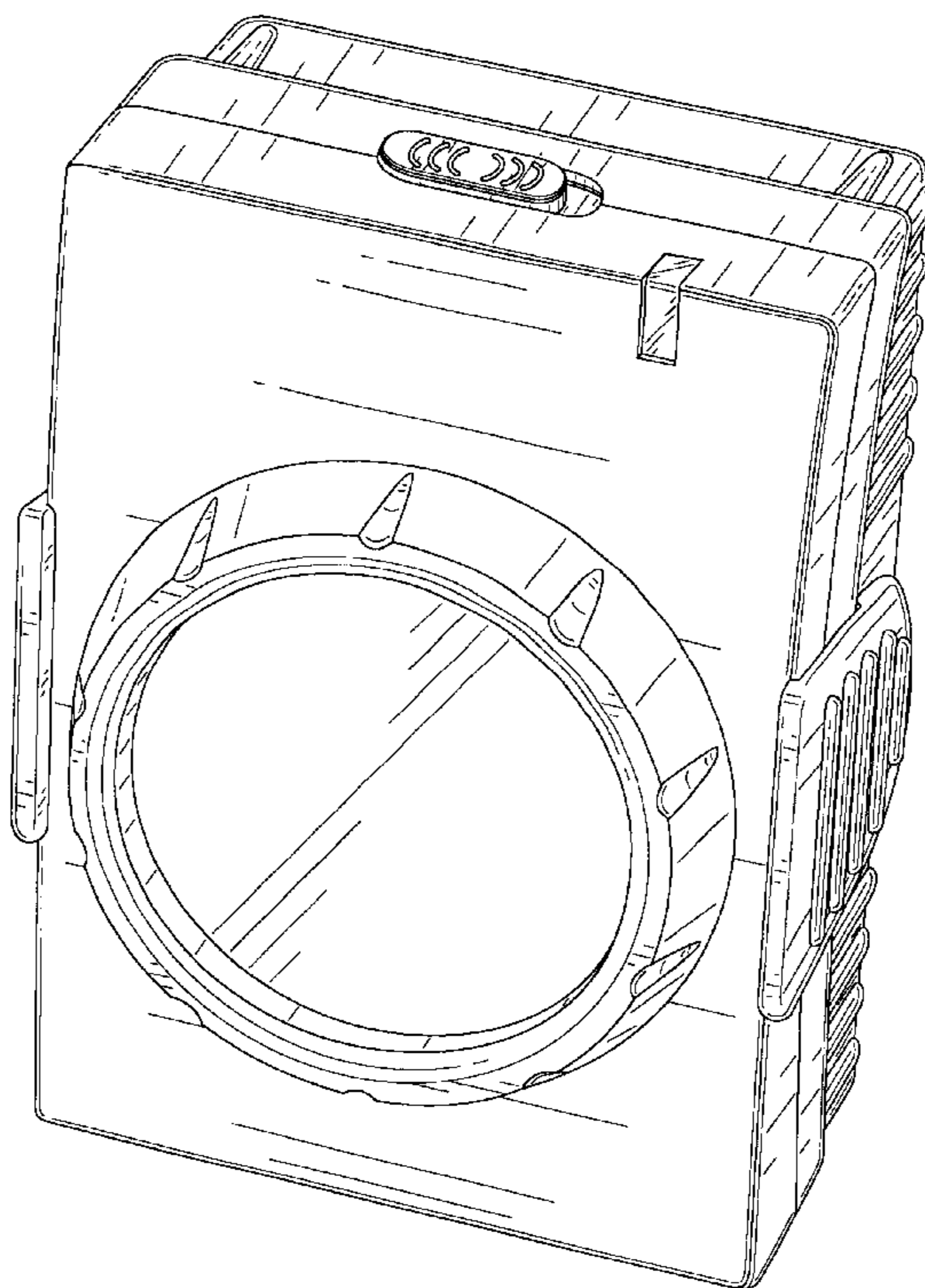
FIG. 4 is a left side view of the design shown in FIG. 1;

FIG. 5 is a right side view of the design shown in FIG. 1;

FIG. 6 is a top view of the design shown in FIG. 1; and,

FIG. 7 is a bottom view of the design shown in FIG. 1.

1 Claim, 7 Drawing Sheets



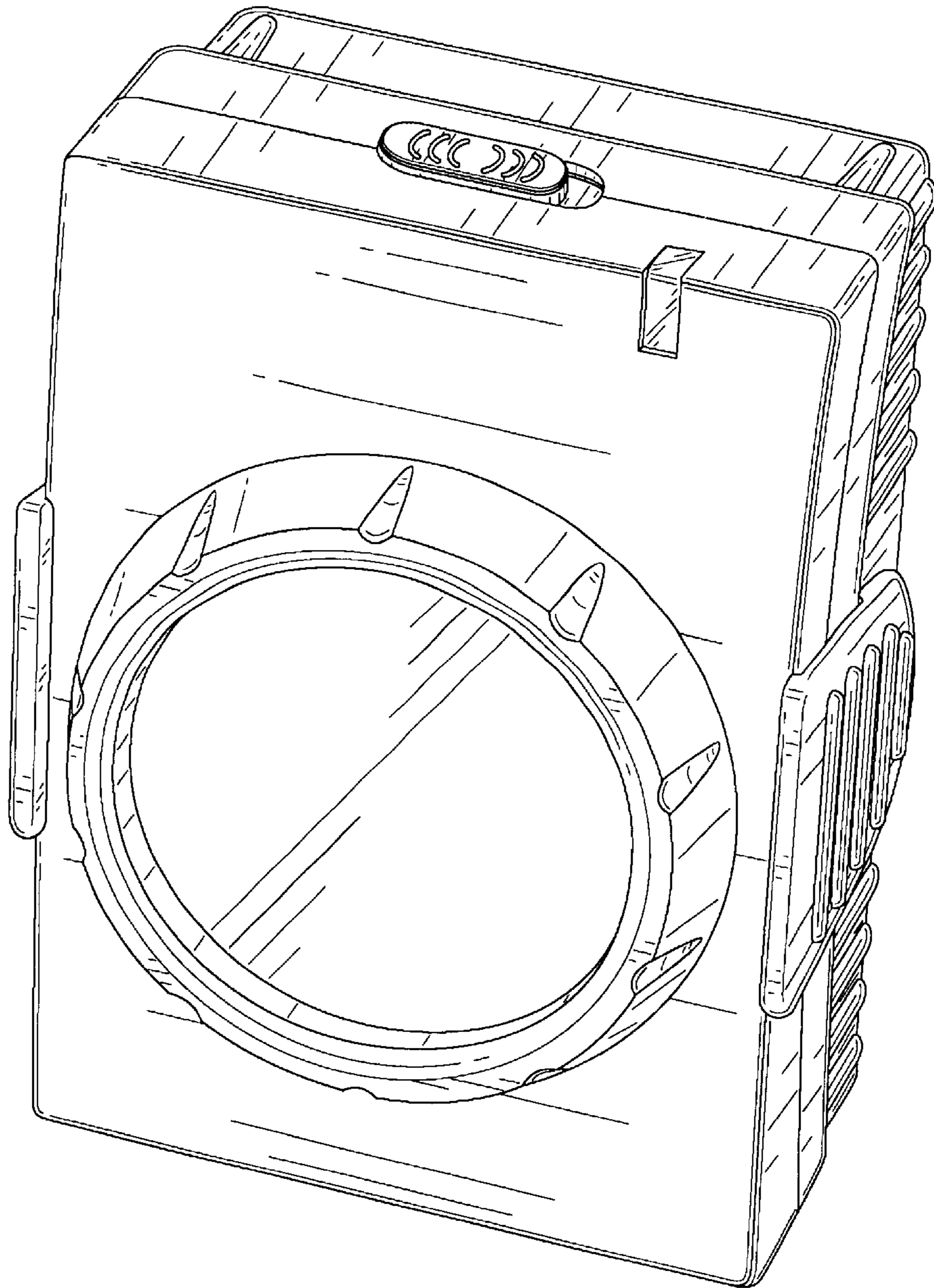


FIG. 1

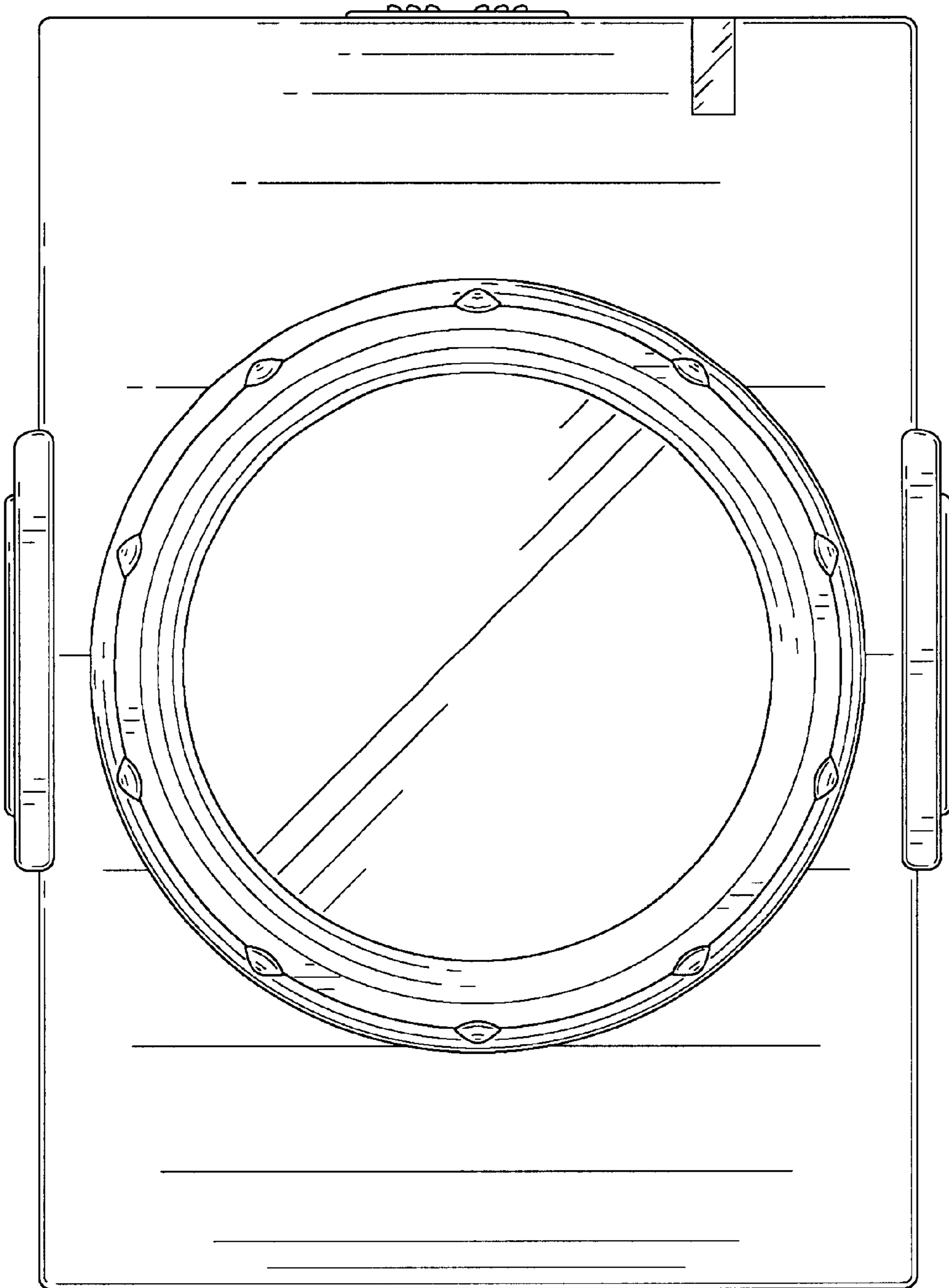


FIG. 2

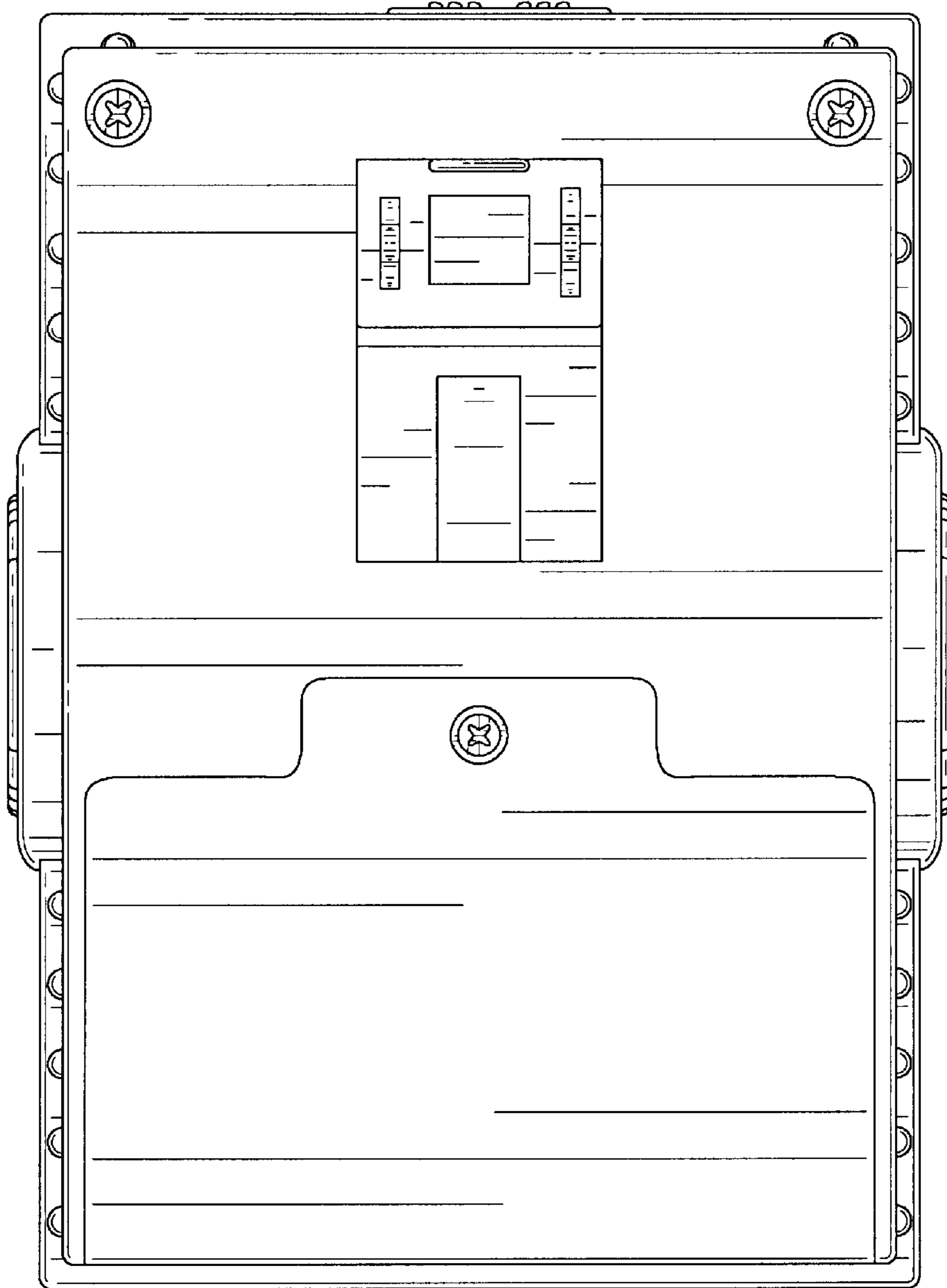


FIG. 3

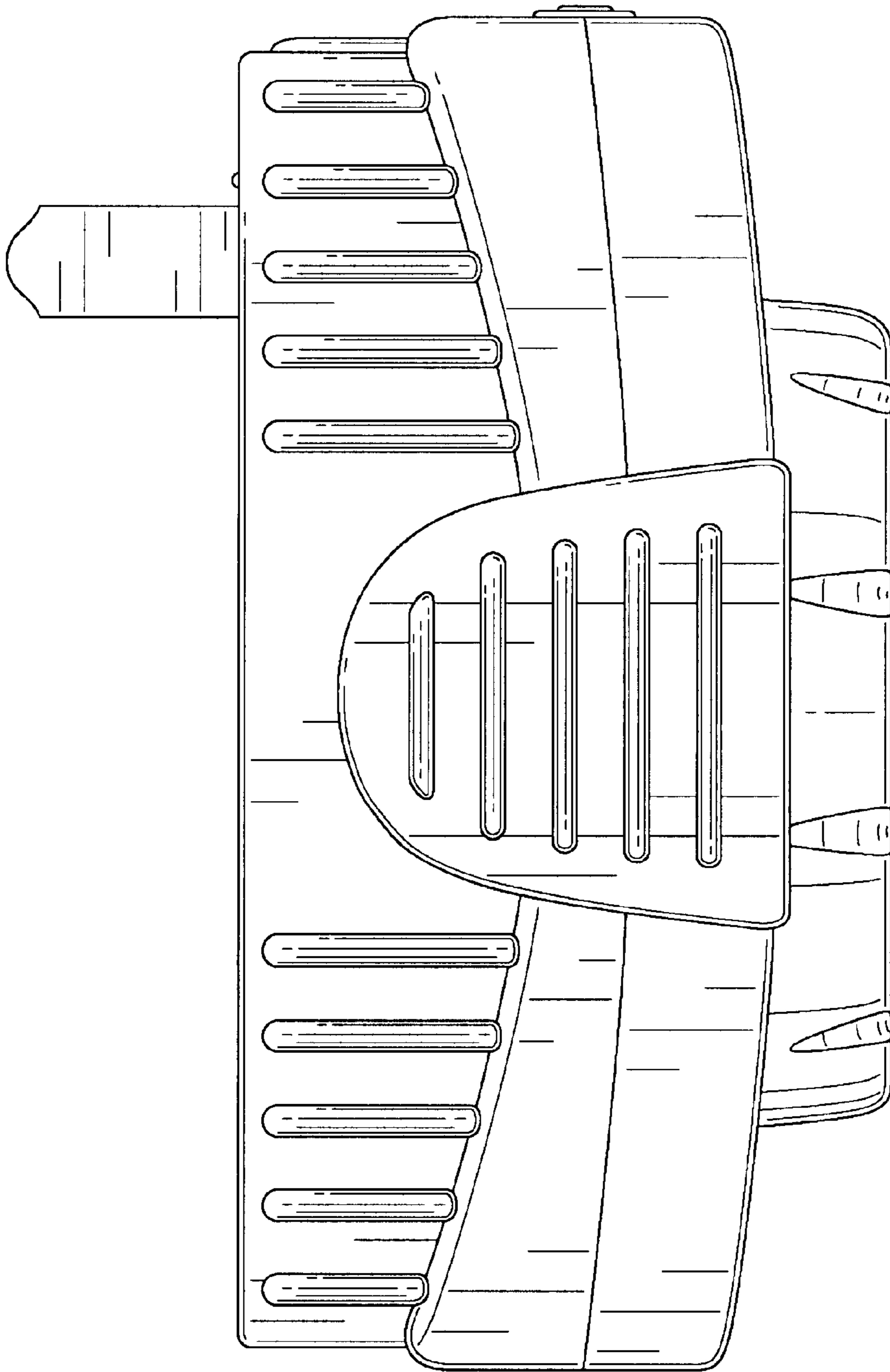


FIG. 4

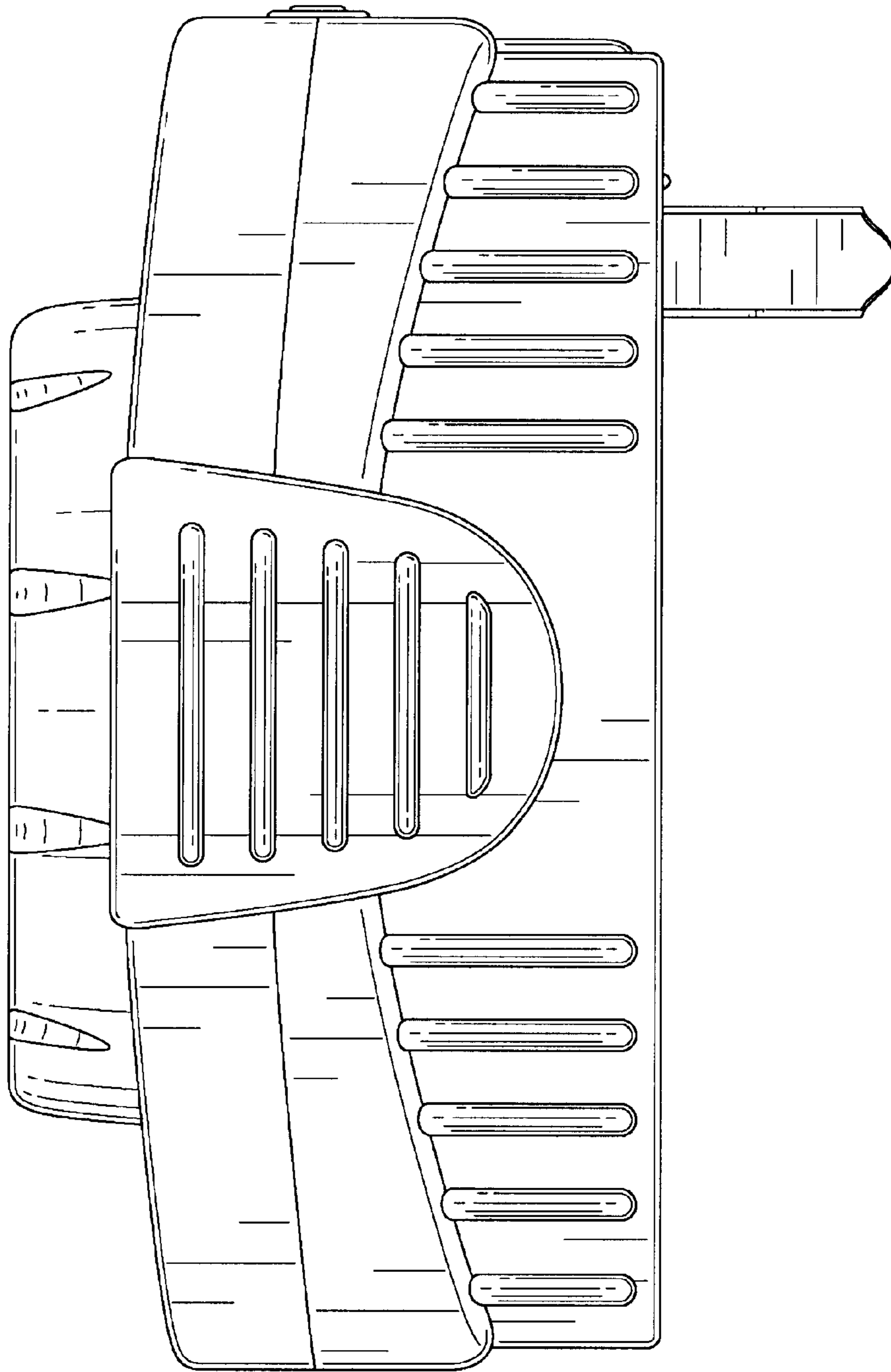


FIG. 5

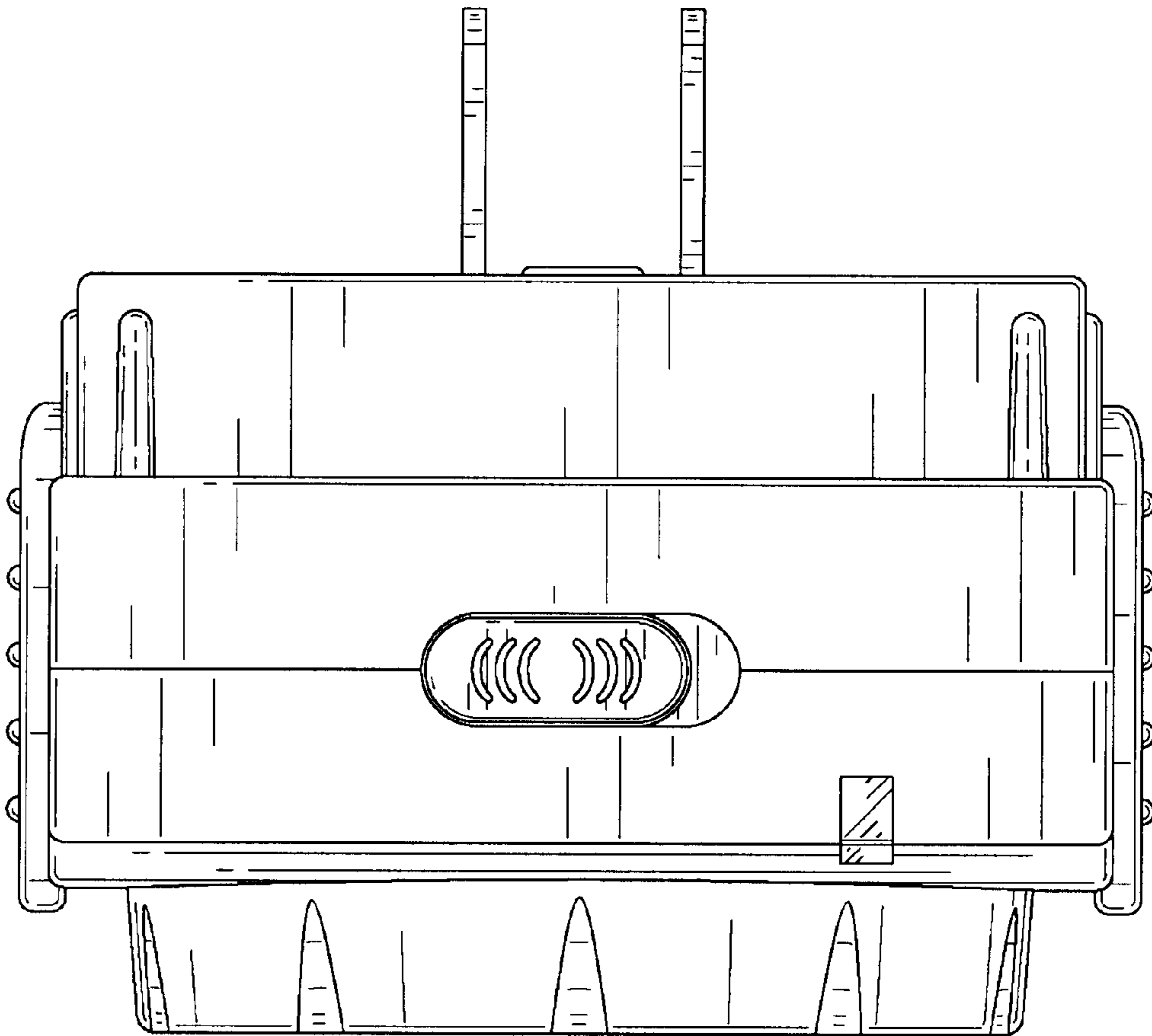


FIG. 6

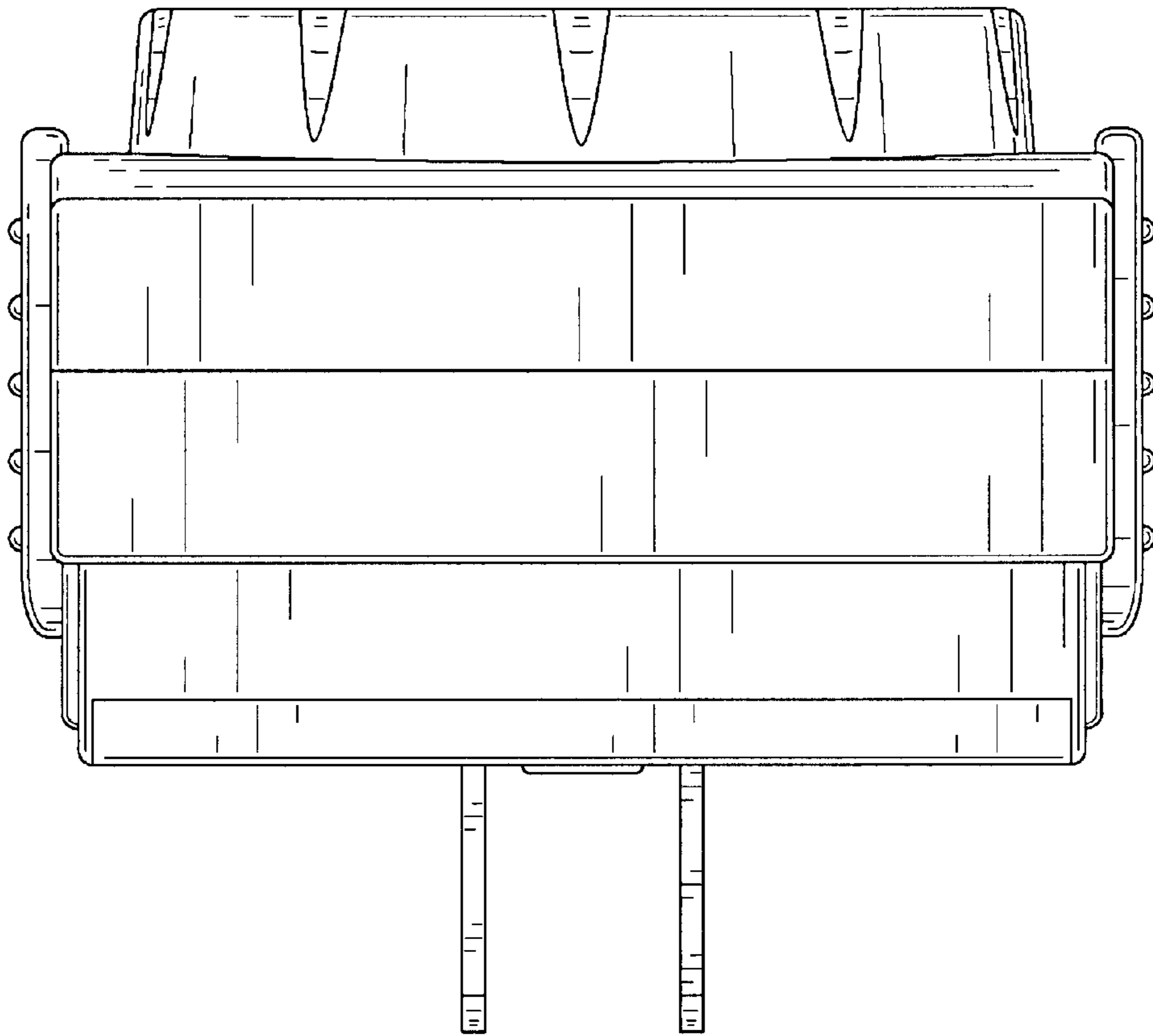


FIG. 7