



US00D483496S

(12) **United States Design Patent**
Kjendlie

(10) **Patent No.:** **US D483,496 S**

(45) **Date of Patent:** **** Dec. 9, 2003**

(54) **COMBINED TEST UNIT AND PACKAGE FOR SALIVA AND OTHER FLUIDS**

(75) Inventor: **Jan Tomas Kjendlie**, Hosle (NO)

(73) Assignee: **Bionor AS**, Skien (NO)

(**) Term: **14 Years**

(21) Appl. No.: **29/134,829**

(22) Filed: **Dec. 28, 2000**

(30) **Foreign Application Priority Data**

Jun. 28, 2000 (NO) 2000 0437

(51) **LOC (7) Cl.** **24-02**

(52) **U.S. Cl.** **D24/223; D24/216; D24/119**

(58) **Field of Search** D24/216, 223, D24/119; D10/81; 422/57, 56, 58, 61, 102; 435/810; 206/570, 532, 363, 438, 461, 470, 469

(56) **References Cited**

U.S. PATENT DOCUMENTS

- 3,913,562 A * 10/1975 Moore et al. 604/1
- D342,031 S * 12/1993 Richardson D10/81
- 5,888,832 A * 3/1999 Richardson 422/102

- 5,938,032 A * 8/1999 Svec et al. 206/484
- 6,090,076 A * 7/2000 Lane, Jr. 206/570
- 6,284,550 B1 * 9/2001 Carroll et al. 422/55
- 6,291,171 B1 * 9/2001 Ricciardi et al. 206/223

* cited by examiner

Primary Examiner—Ian Simmons

(74) *Attorney, Agent, or Firm*—Ladas & Parry

(57) **CLAIM**

The ornamental design for a combined test unit and package for saliva and other fluids, as shown and described.

DESCRIPTION

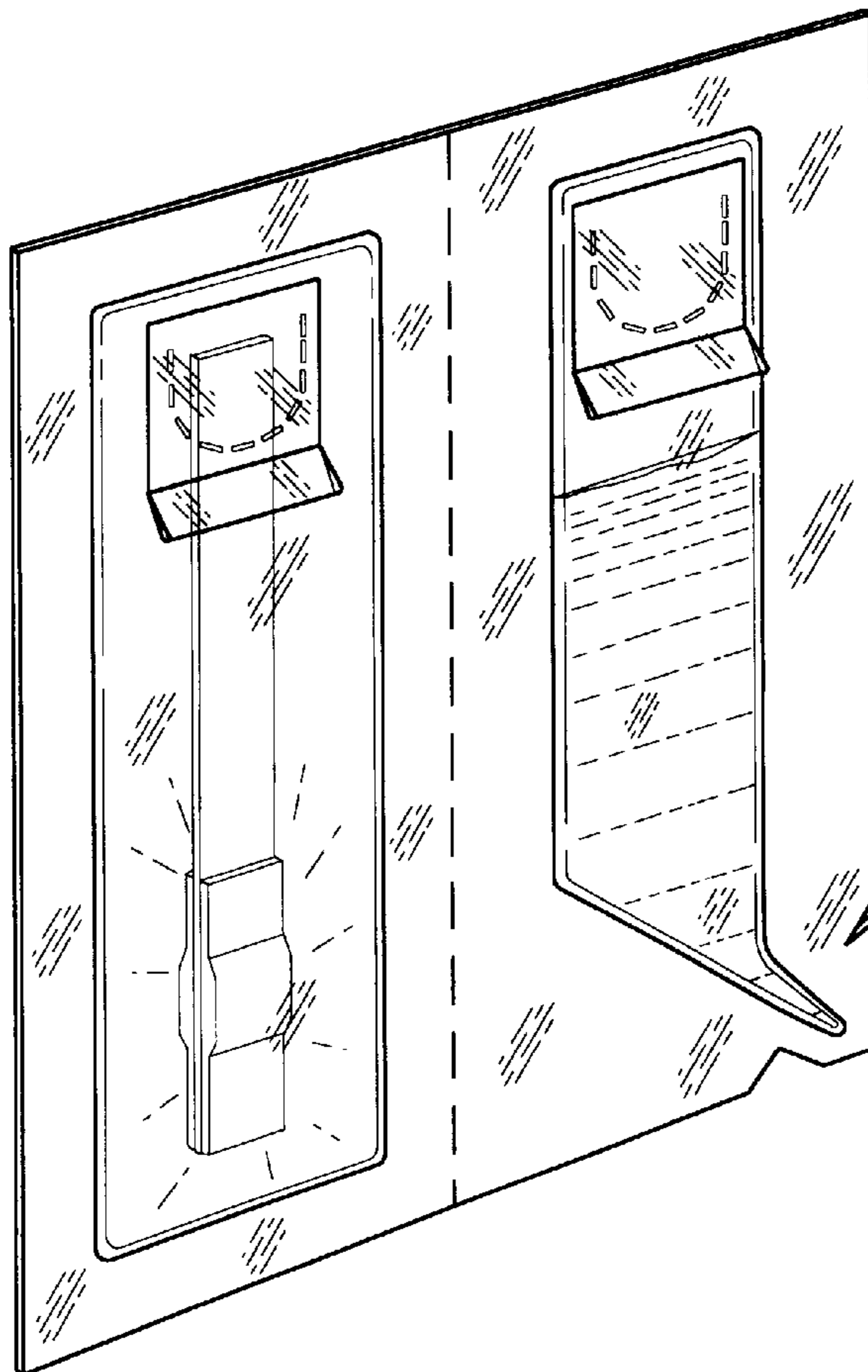
FIG. 1 is a front, top and left side perspective view of a combined test unit and package for saliva and other fluid, showing my new design;

FIG. 2 is a rear, top and left side perspective thereof;

FIG. 3 is a front top perspective view of a portion thereof in which the closure flap shown in the closed position at the upper right in FIG. 1 is shown in the open condition; and, FIG. 4 is a perspective view of the dipstick shown in FIG. 1, shown removed from the package.

FIG. 5 is a left-side elevational view of the dipstick portion of FIG. 4, the right-side elevational view thereof being a mirror image and, therefore, not shown.

1 Claim, 2 Drawing Sheets



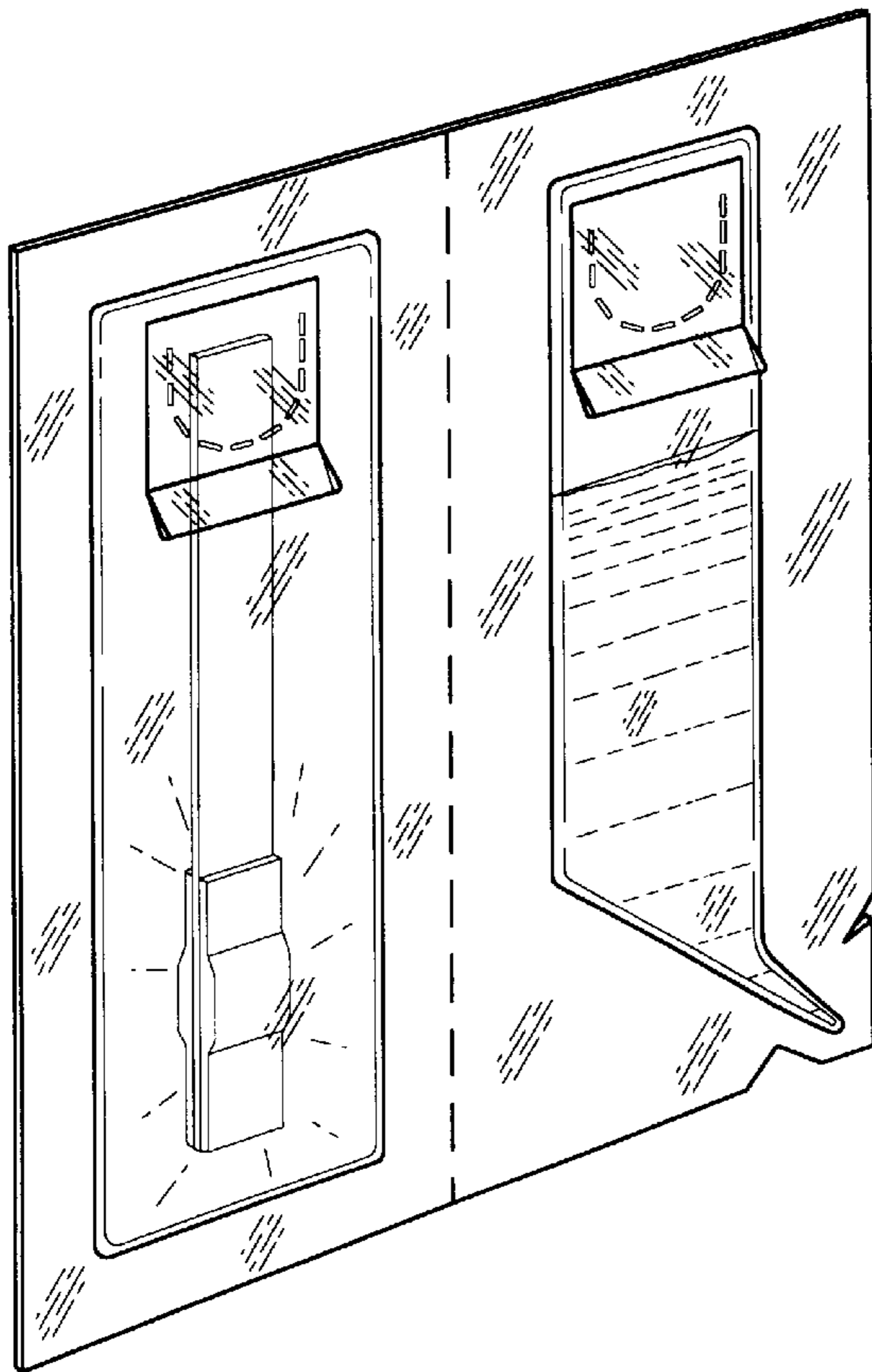


FIG. 1

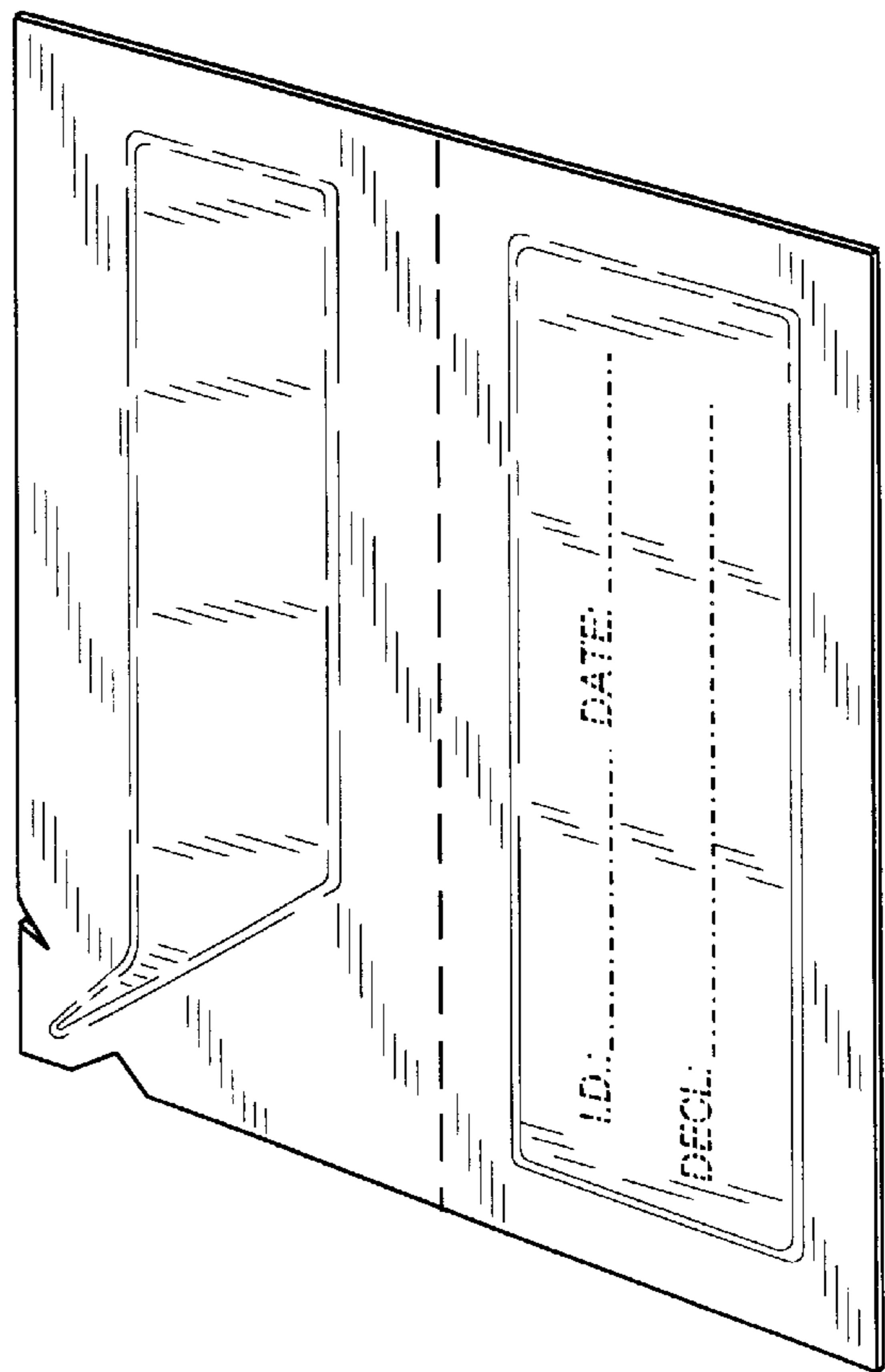


FIG. 2

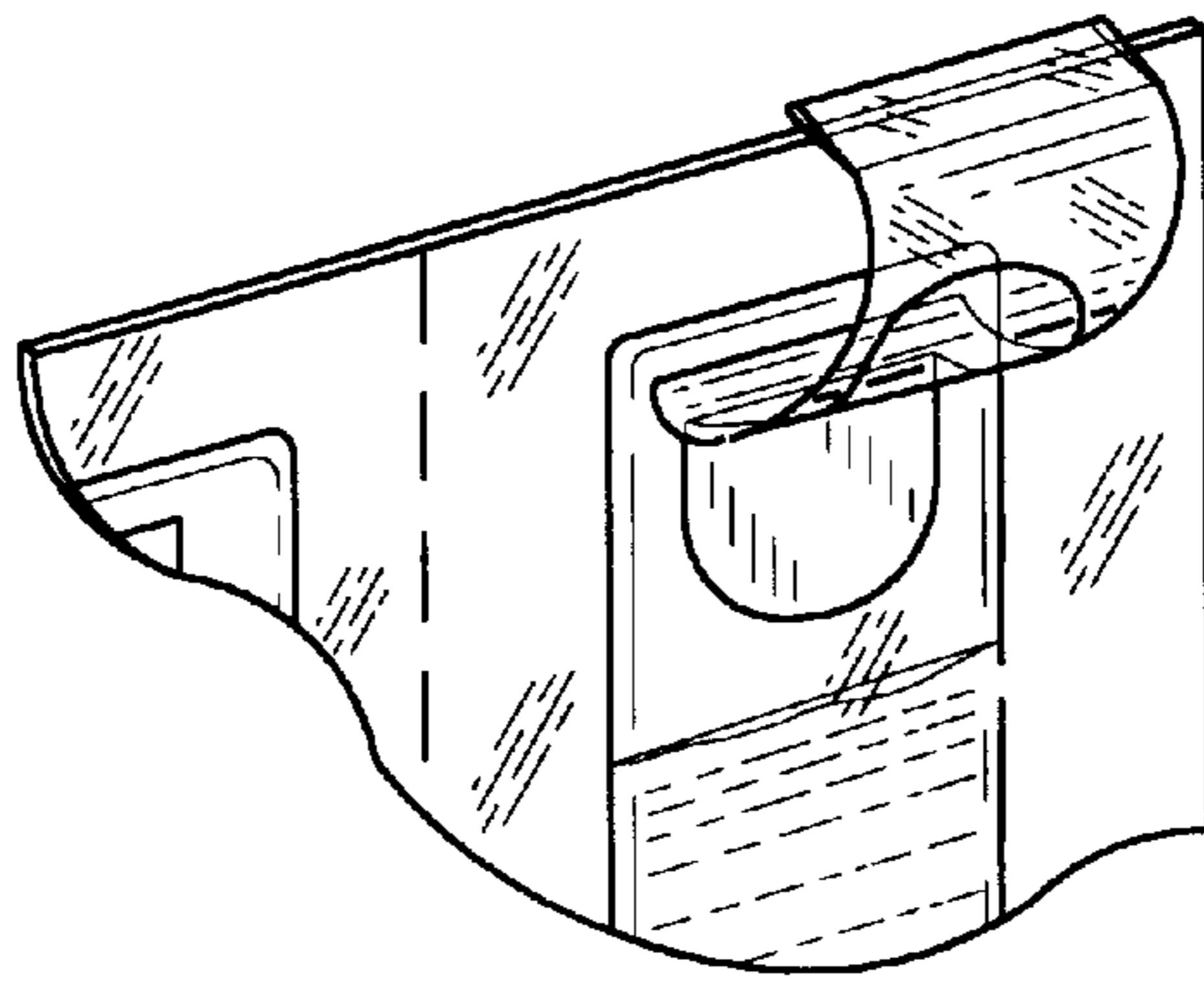


FIG. 3

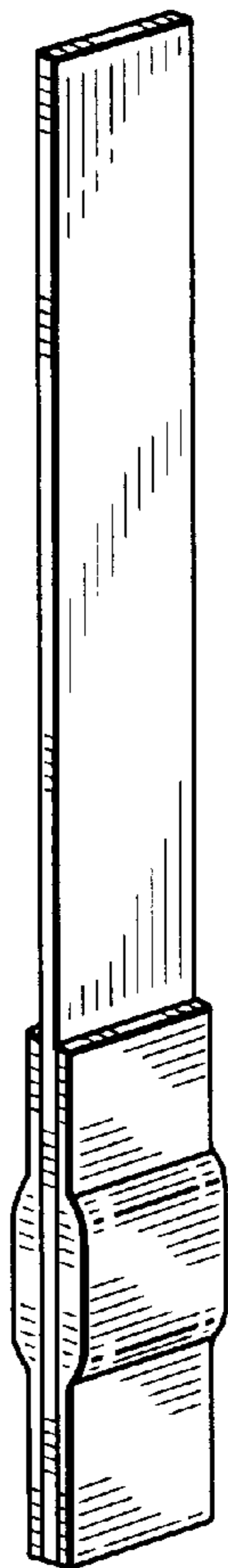


FIG. 4

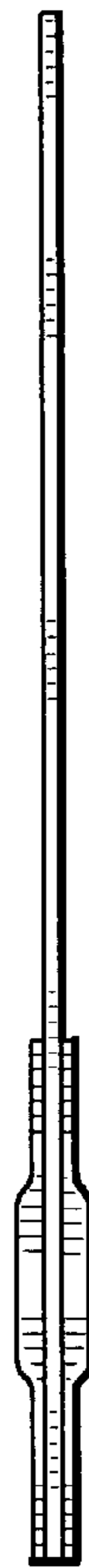


FIG. 5