



US00D483495S

(12) **United States Design Patent** (10) **Patent No.:** **US D483,495 S**
Sand (45) **Date of Patent:** **** *Dec. 9, 2003**

(54) **HAND-HELD MIXER FOR FLOWABLE MATERIALS**

6,210,031 B1 4/2001 Murray
6,406,175 B1 6/2002 Marino

(75) Inventor: **Paul M Sand**, San Carlos, CA (US)

FOREIGN PATENT DOCUMENTS

(73) Assignee: **Kyphon Inc.**, Sunnyvale, CA (US)

DE 299 22 445 4/2000
WO WO 86/06618 11/1986
WO WO 96/40424 12/1996

(*) Notice: This patent is subject to a terminal disclaimer.

OTHER PUBLICATIONS

(**) Term: **14 Years**

U.S. patent application Ser. No. 60/243,195, Systems and Methods for Mixing and Dispensing Flowable Materials, filed Oct. 25, 2000.

(21) Appl. No.: **29/131,642**

* cited by examiner

(22) Filed: **Oct. 25, 2000**

(51) **LOC (7) Cl.** **24-02**

Primary Examiner—Ian Simmons

(52) **U.S. Cl.** **D24/220; D7/412**

(74) *Attorney, Agent, or Firm*—Ryan Kromholz & Manion, S.C.

(58) **Field of Search** D24/220, 216;
D7/412; 606/92, 93, 94; 366/139, 243,
288, 142, 255

CLAIM

(56) **References Cited**

The ornamental design of a hand-held mixer for flowable materials, as shown and described.

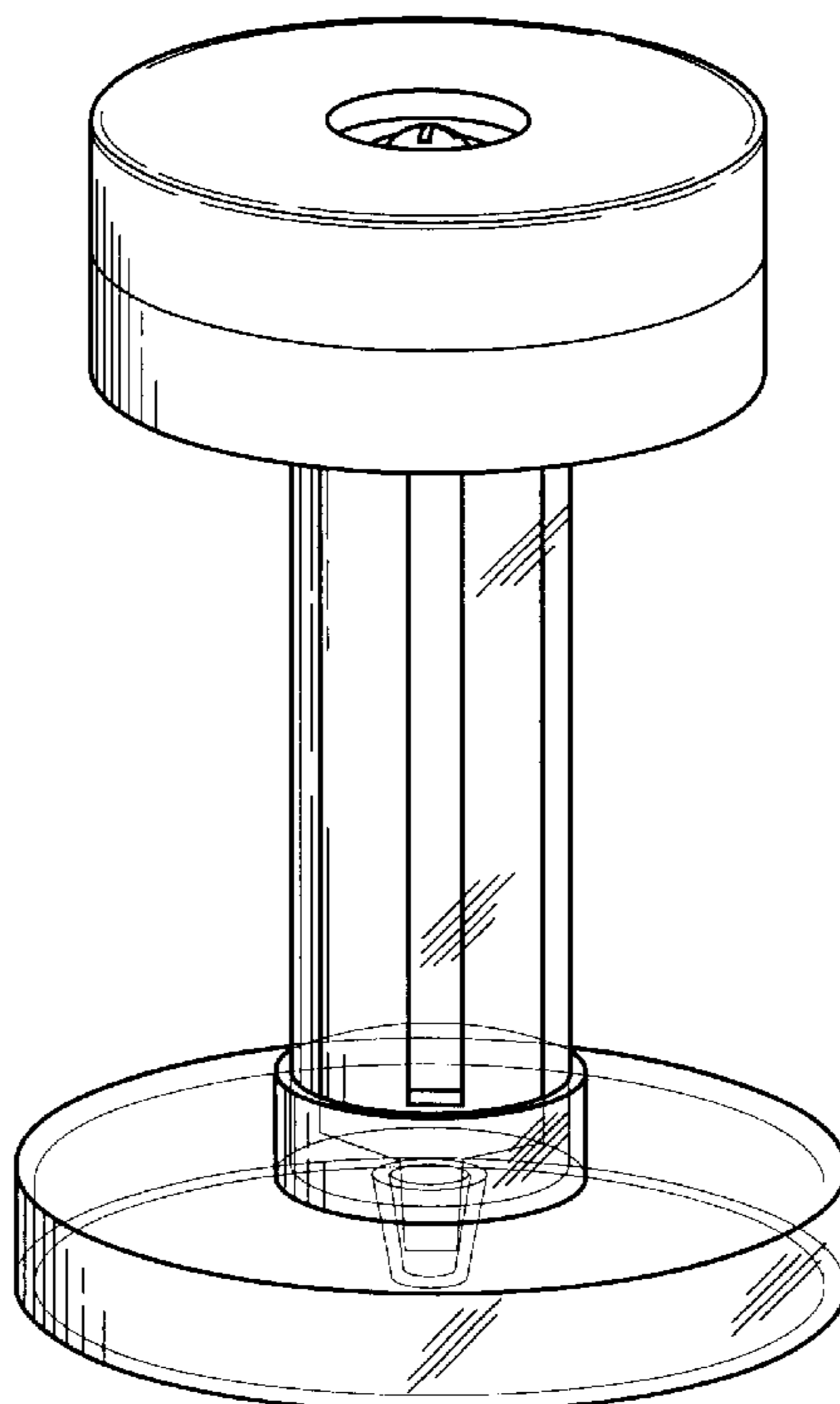
U.S. PATENT DOCUMENTS

DESCRIPTION

D279,499 S	*	7/1985	Case	D24/220
5,348,391 A		9/1994	Murray		
5,415,474 A	*	5/1995	Nelson et al.	366/139
5,549,381 A		8/1996	Hays et al.		
D381,084 S	*	7/1997	Vish	D24/220
5,797,679 A	*	8/1998	Grulke et al.	366/139
5,842,785 A	*	12/1998	Brown et al.	366/139
6,033,105 A		3/2000	Barker et al.		
6,120,174 A	*	9/2000	Hoag et al.	366/139
6,176,607 B1	*	1/2001	Hajianpour	366/139

FIG. 1 is a perspective view of a hand held mixer for flowable materials incorporating my new design.
FIG. 2 is a top plan view thereof;
FIG. 3 is a bottom plan view thereof;
FIG. 4 is a front plan view thereof; and,
FIG. 5 is a left side view thereof, with the right side view being a mirror image of the left side view.

1 Claim, 2 Drawing Sheets



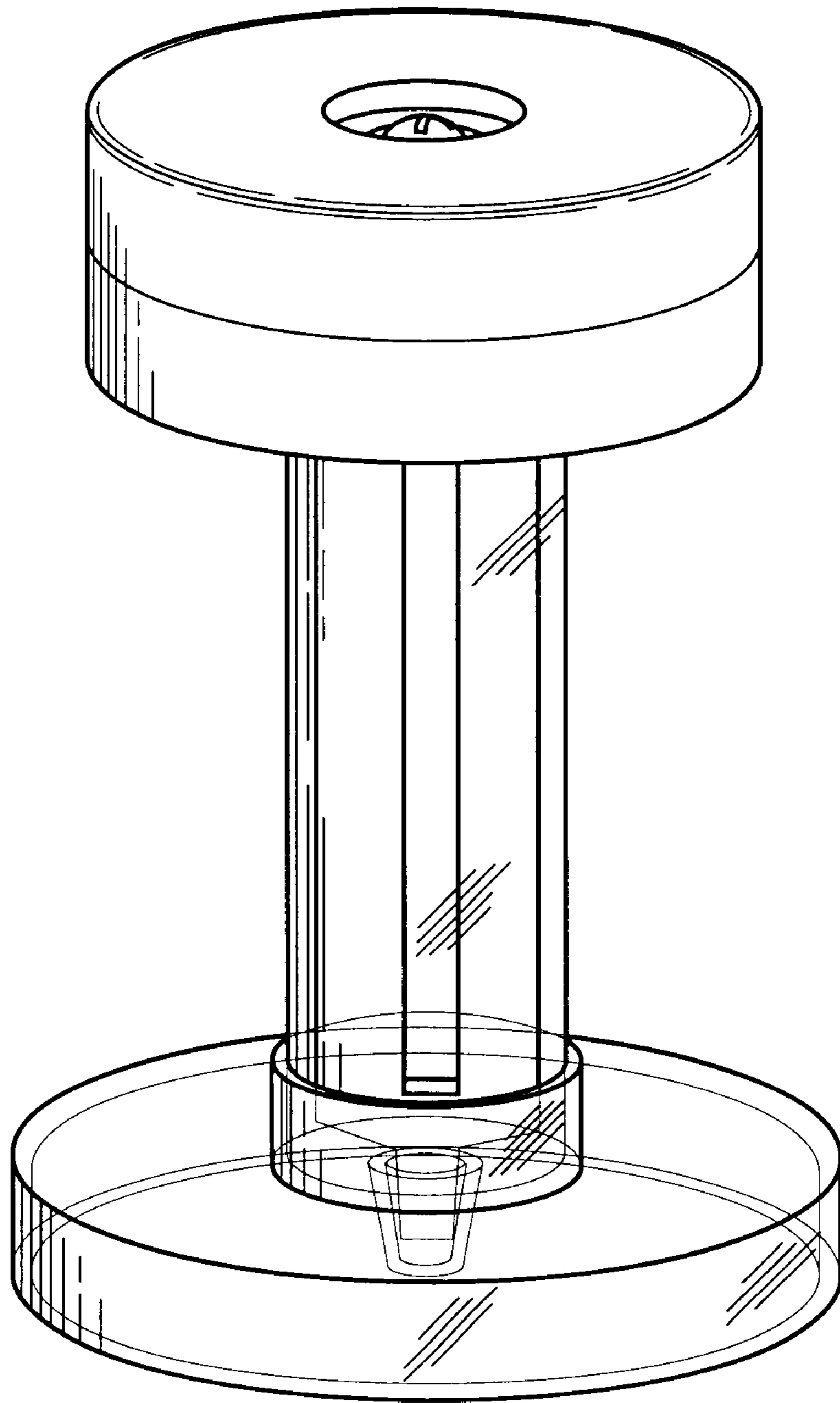


Fig. 1

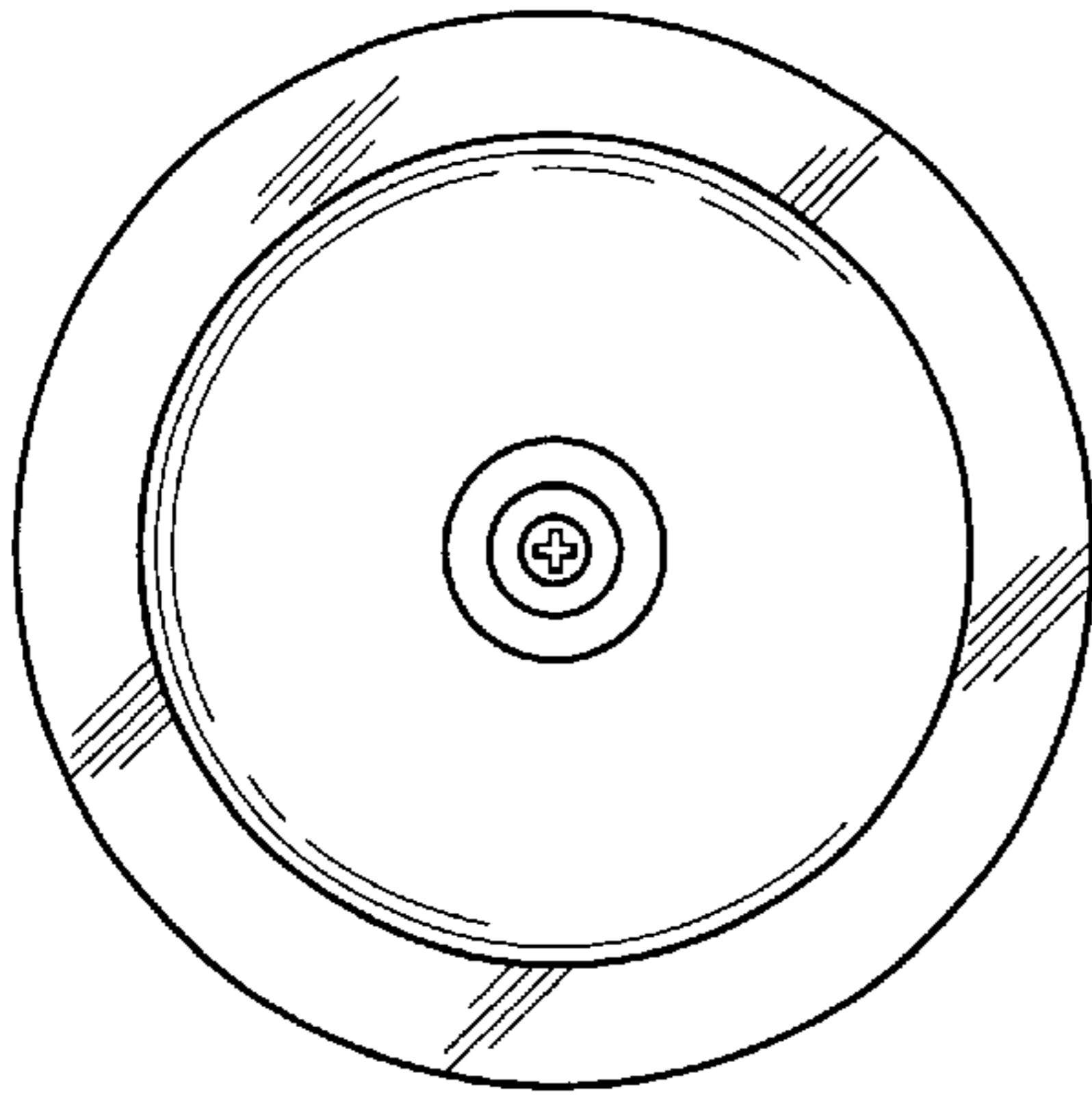


Fig. 2

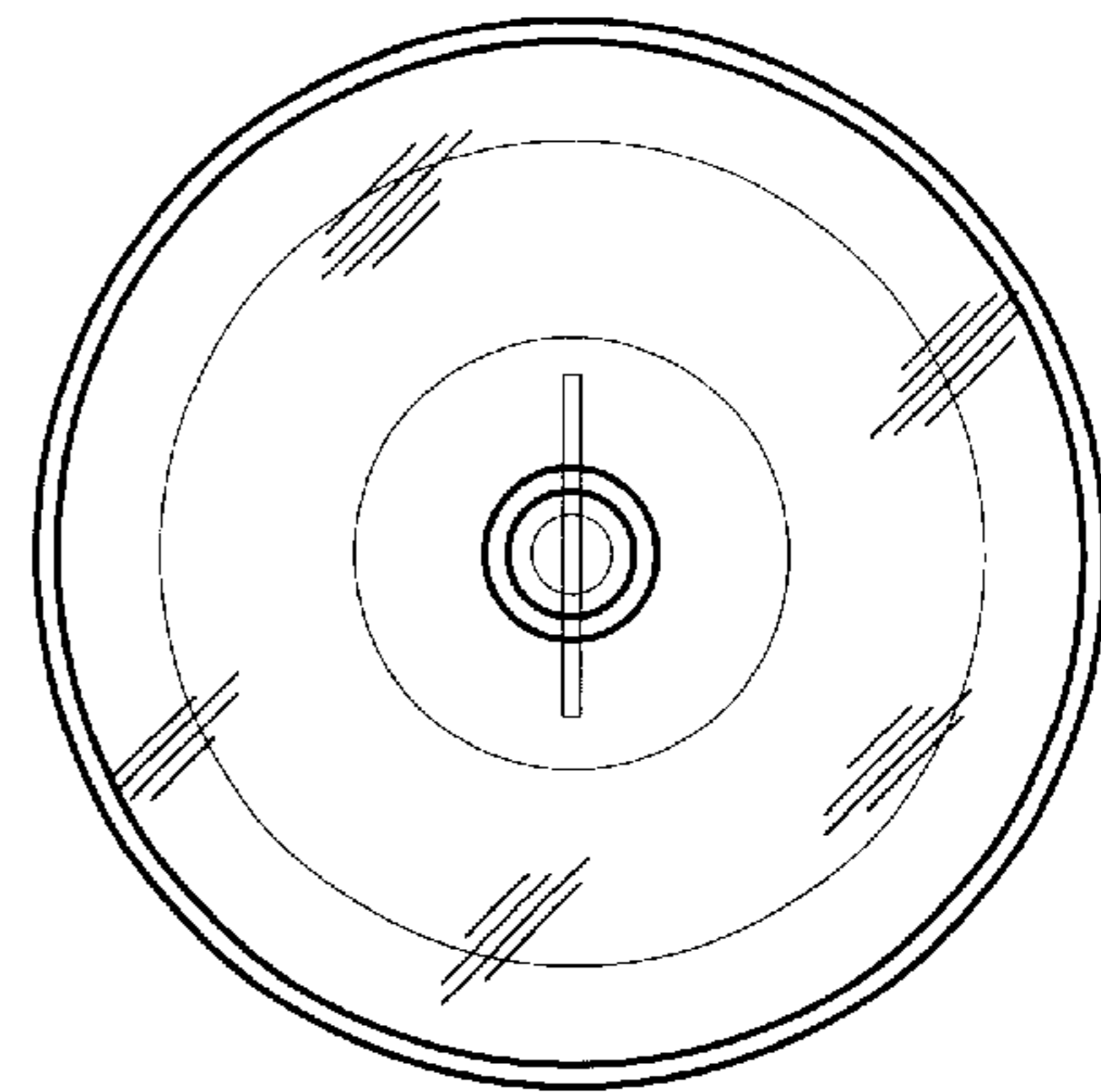


Fig. 3

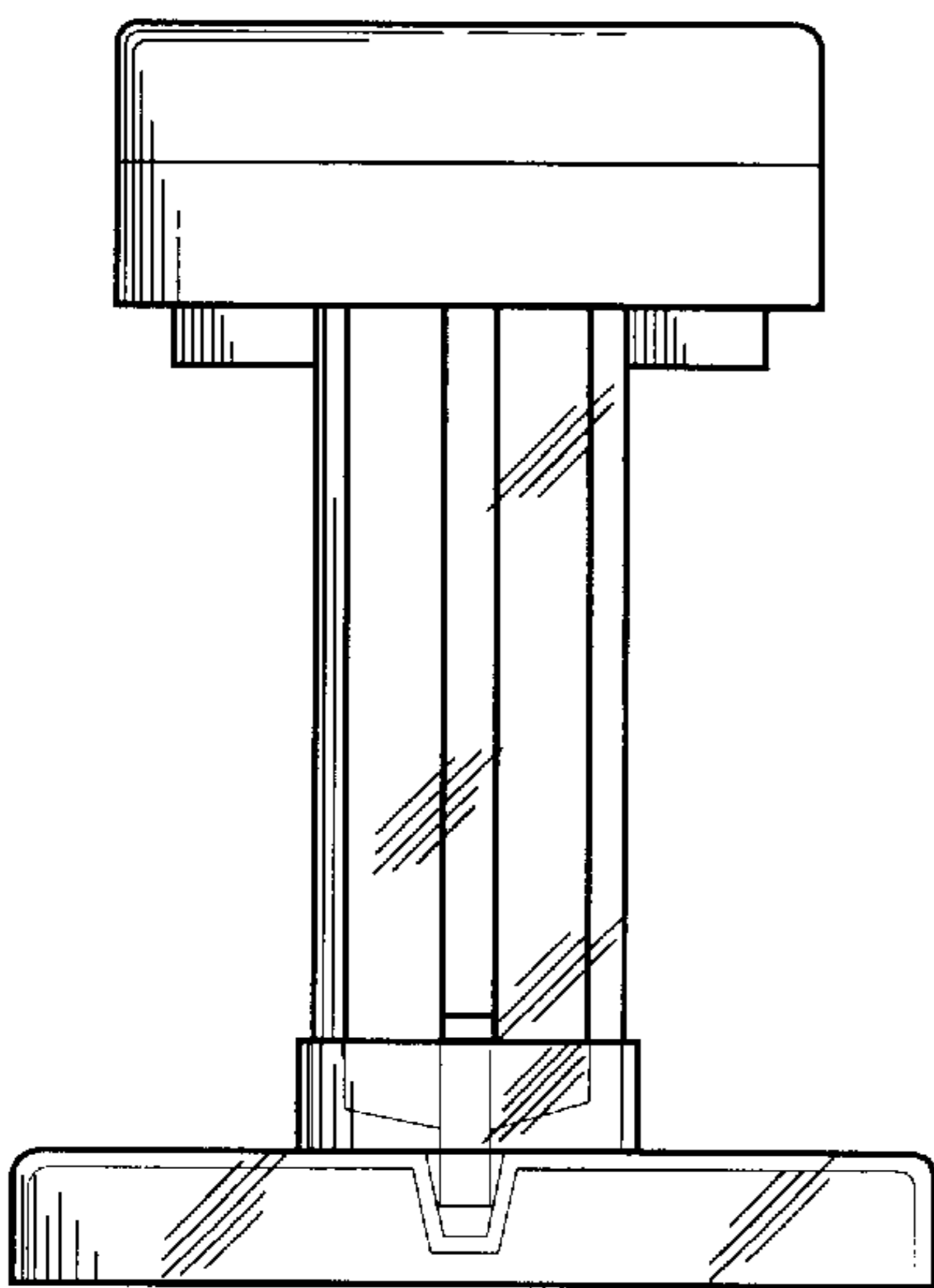


Fig. 4

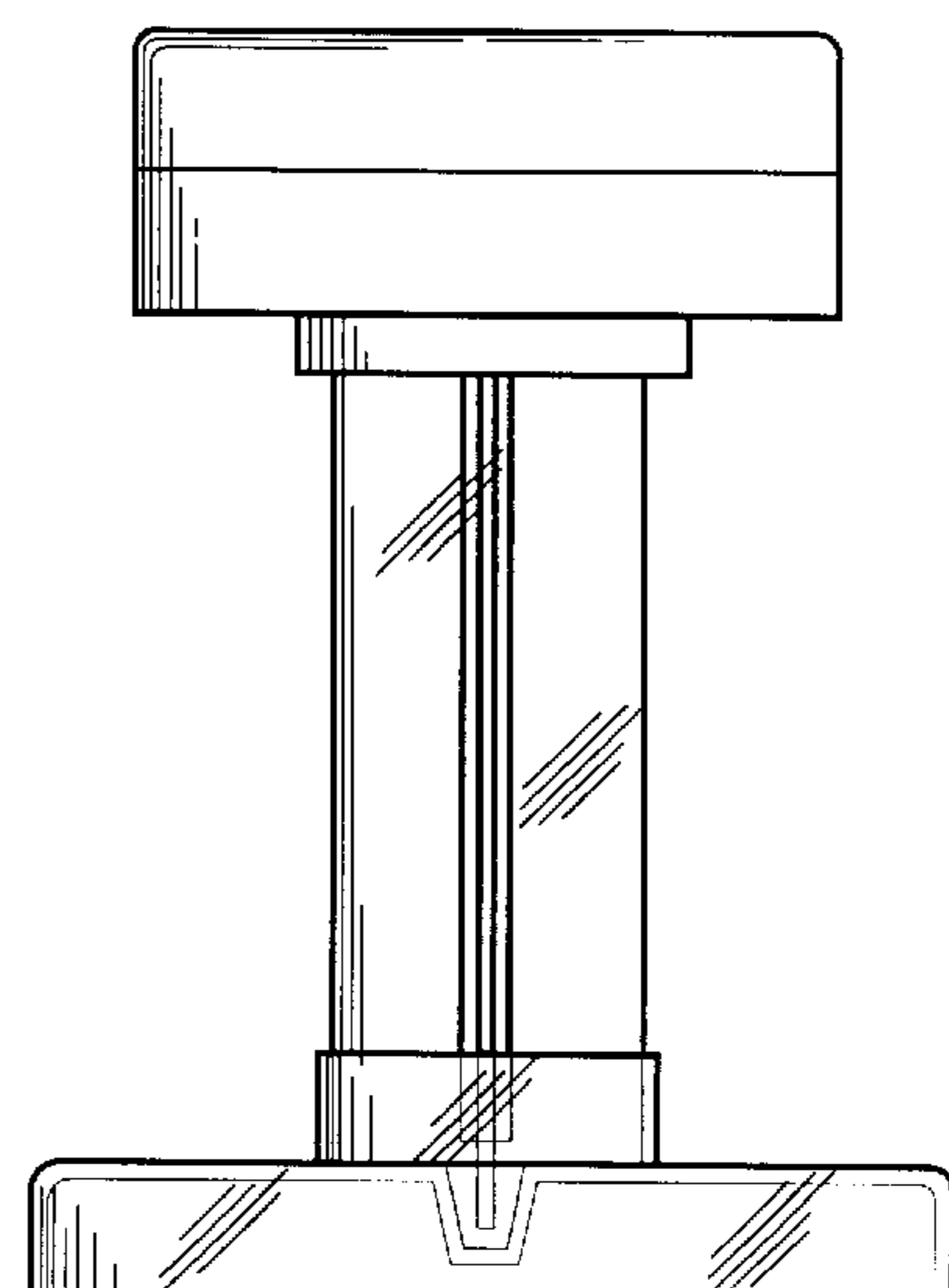


Fig. 5