



US00D483490S

(12) **United States Design Patent**
Ghidoli

(10) **Patent No.:** **US D483,490 S**

(45) **Date of Patent:** **** Dec. 9, 2003**

(54) **CARDIOPLEGIA DEVICE**

(75) **Inventor:** **Daniele Ghidoli**, Laguna Hills, CA (US)

(73) **Assignee:** **Gish Biomedical, Inc.**, Rancho Santa Margarita, CA (US)

(**) **Term:** **14 Years**

(21) **Appl. No.:** **29/156,062**

(22) **Filed:** **Feb. 20, 2002**

(51) **LOC (7) Cl.** **24-01**

(52) **U.S. Cl.** **D24/169**

(58) **Field of Search** D24/169; 422/48, 422/47, 46, 45, 44; 261/DIG. 28; 210/321.6, 321.8, 321.9, 321.74, 321.79, 321.83, 321.88

(56) **References Cited**

U.S. PATENT DOCUMENTS

D290,875	S	*	7/1987	Badolato et al.	D24/169
4,876,066	A	*	10/1989	Bringham et al.	422/46
D320,445	S	*	10/1991	Jones et al.	D24/169
D320,661	S	*	10/1991	Sone	D24/169
5,217,689	A	*	6/1993	Raible	422/46
5,270,005	A	*	12/1993	Raible	422/46
D351,909	S	*	10/1994	Nogawa et al.	D24/169
5,770,149	A	*	6/1998	Raible	422/46

OTHER PUBLICATIONS

T.C. Schmidt. "Hex-#4 (21 Bellows)," Couer Associates, Apr. 25, 2000.

T.C. Schmidt, "Hex-#7 (20 Bellows)," Couer Associates, May 4, 2000.

* cited by examiner

Primary Examiner—Stella Reid

(74) *Attorney, Agent, or Firm*—Luce, Forward, Hamilton & Scripps LLP

(57) **CLAIM**

The ornamental design for a cardioplegia device, as shown and described.

DESCRIPTION

FIG. 1 is a right, front perspective view of a cardioplegia device showing our new design; FIG. 2 is a right, side elevation view thereof; FIG. 3 is a left, side elevation view thereof; FIG. 4 is a bottom elevation view thereof; FIG. 5 is a top elevation view thereof; FIG. 6 is a front elevation view thereof; and, FIG. 7 is a back elevation view thereof. The broken line disclosure is for illustrative purposes only and forms no part of the claimed design.

1 Claim, 4 Drawing Sheets

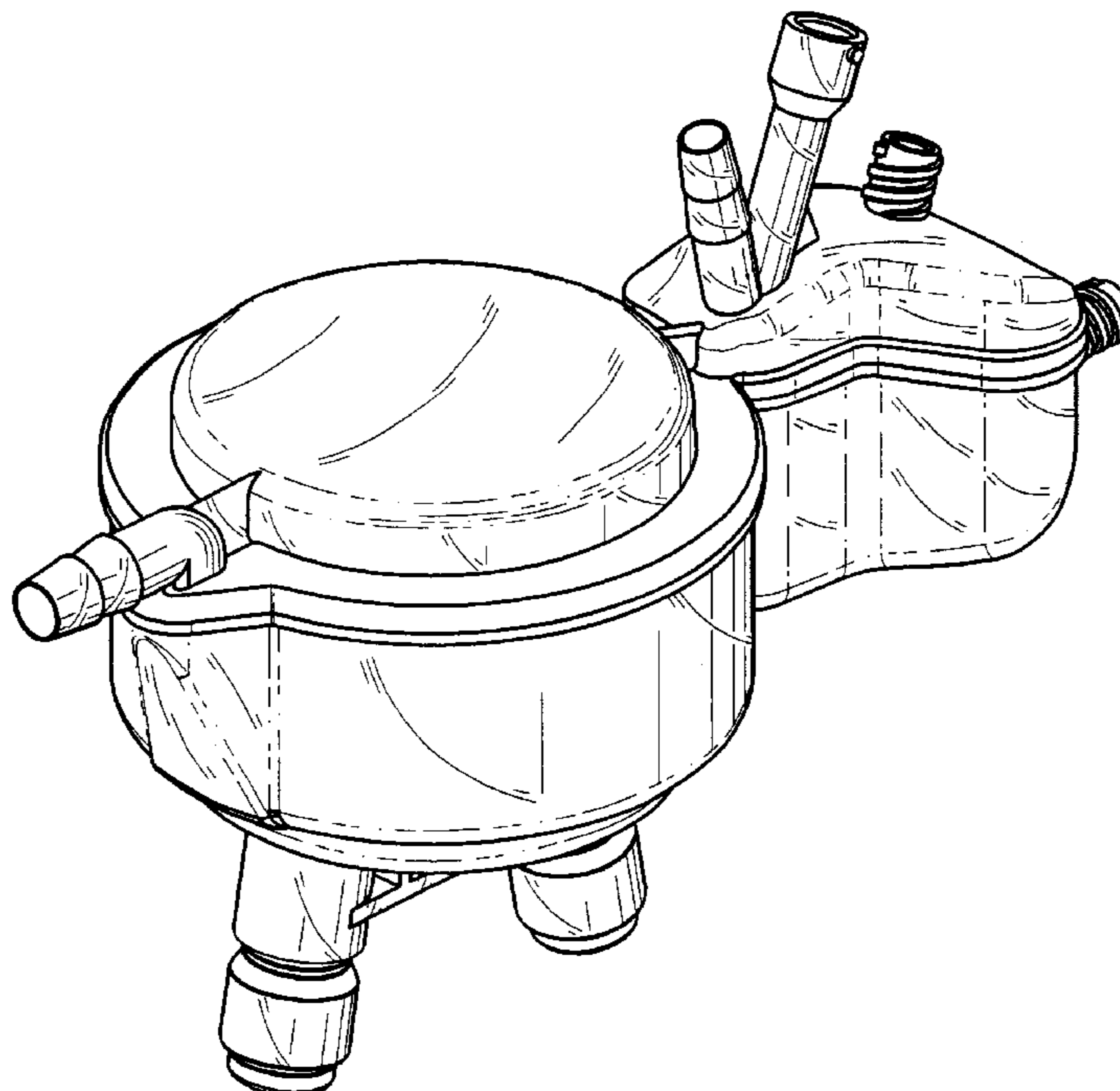
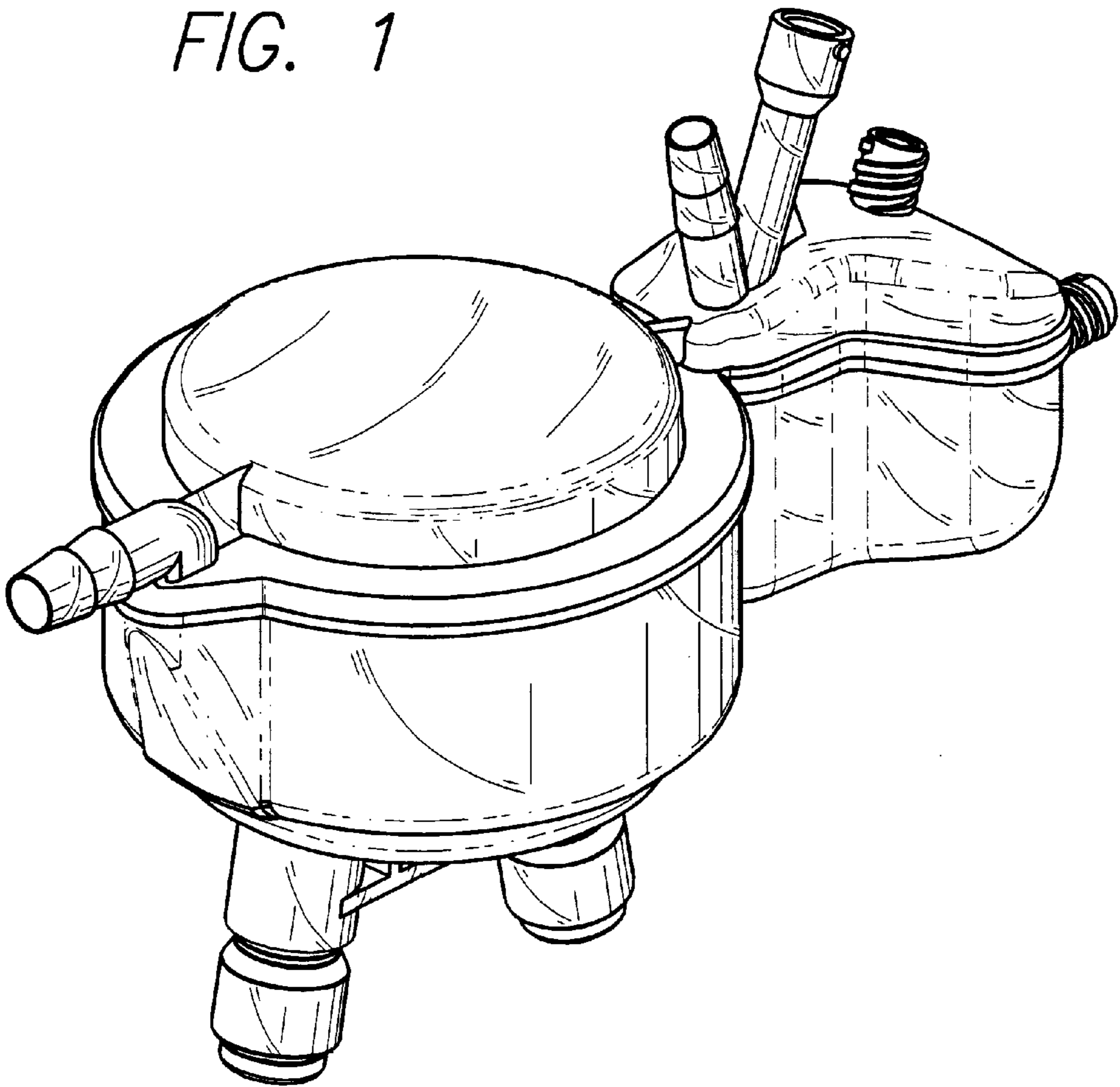


FIG. 1



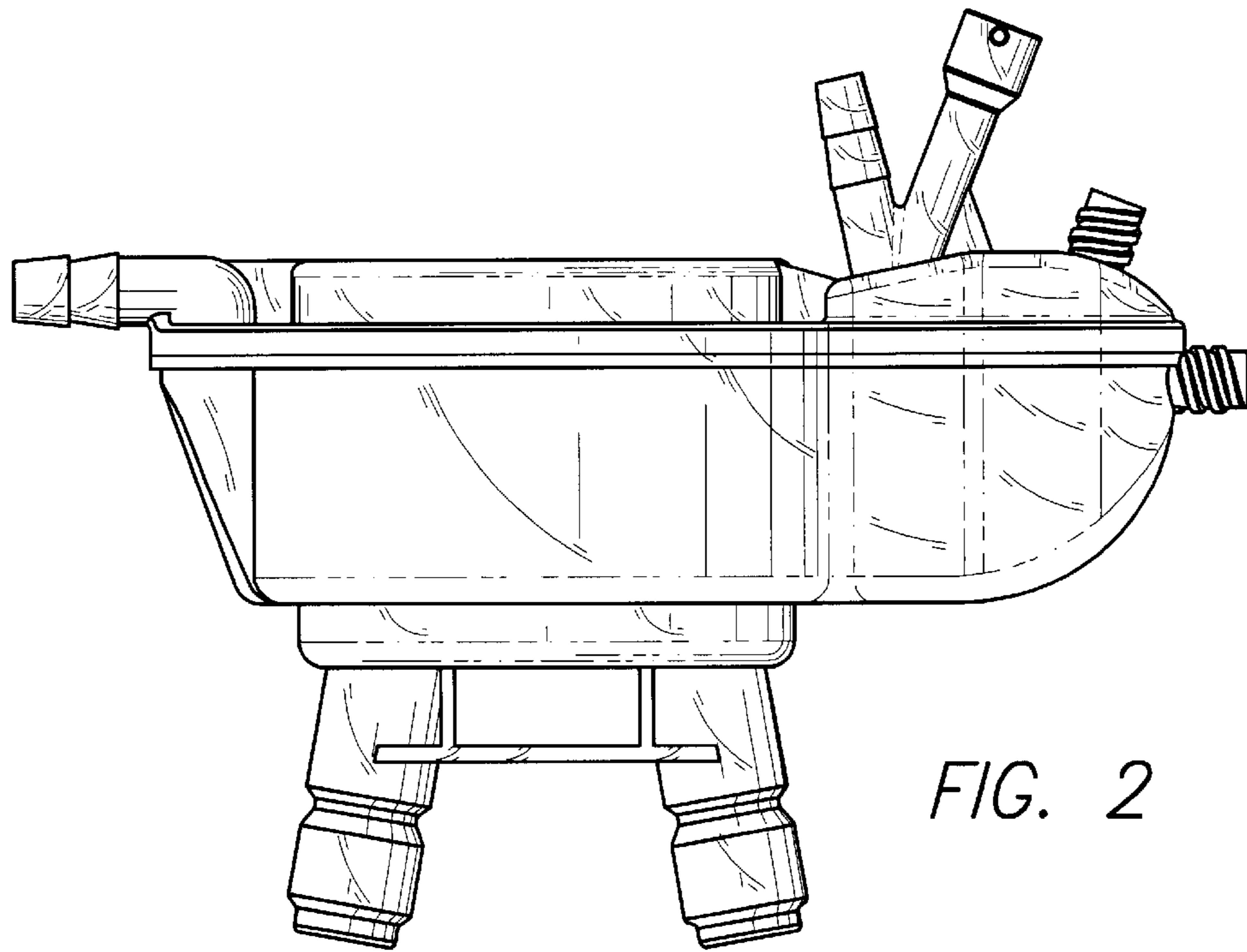


FIG. 2

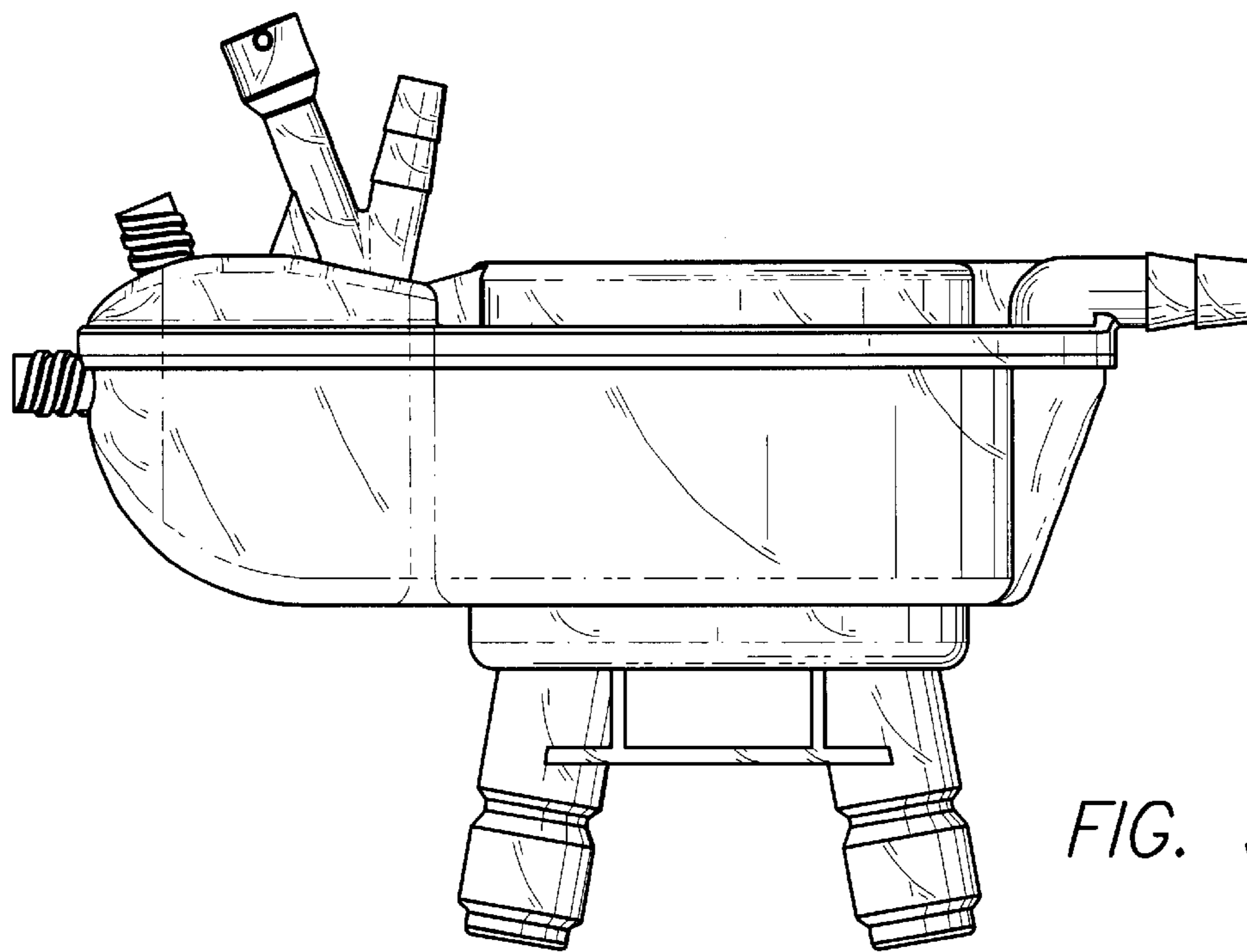


FIG. 3

FIG. 4

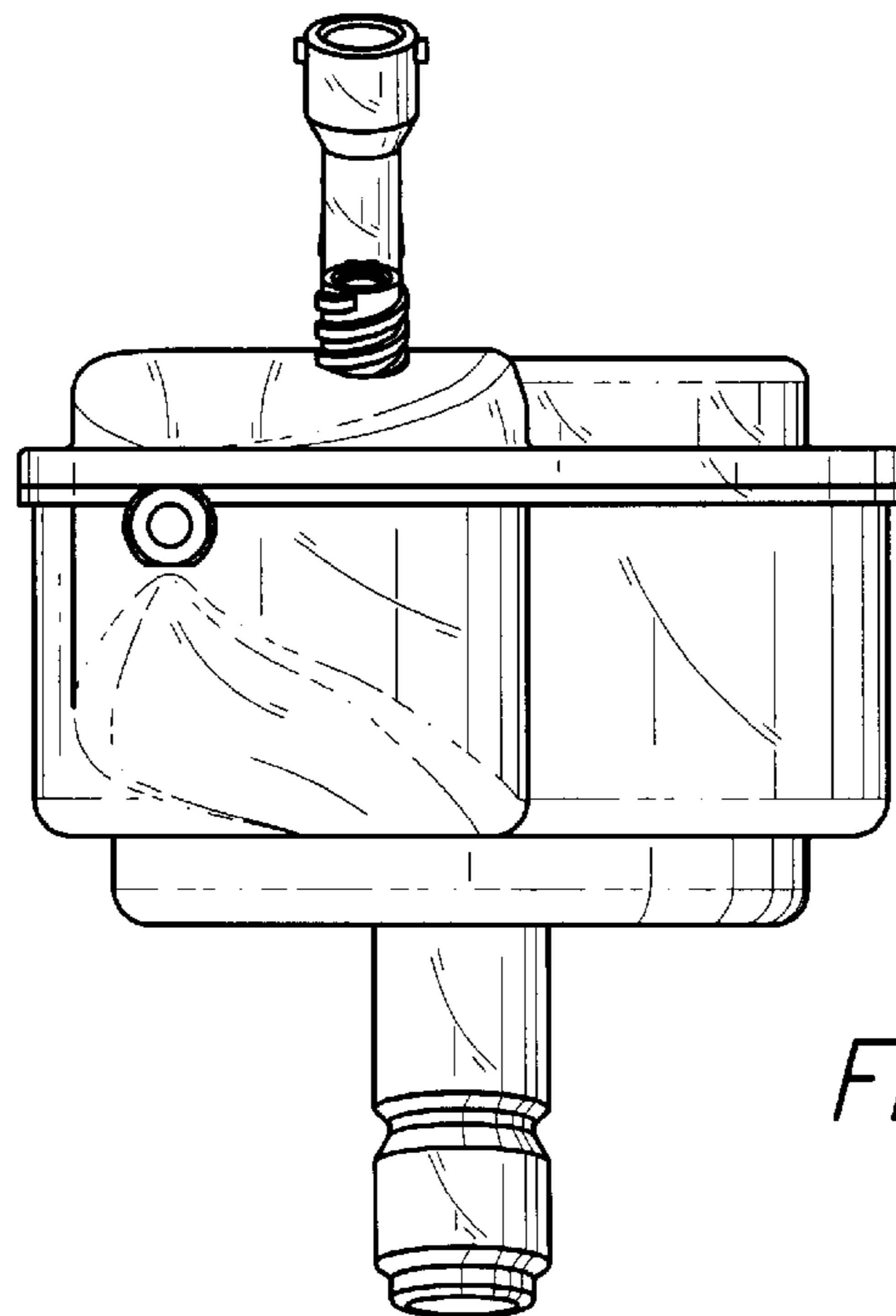
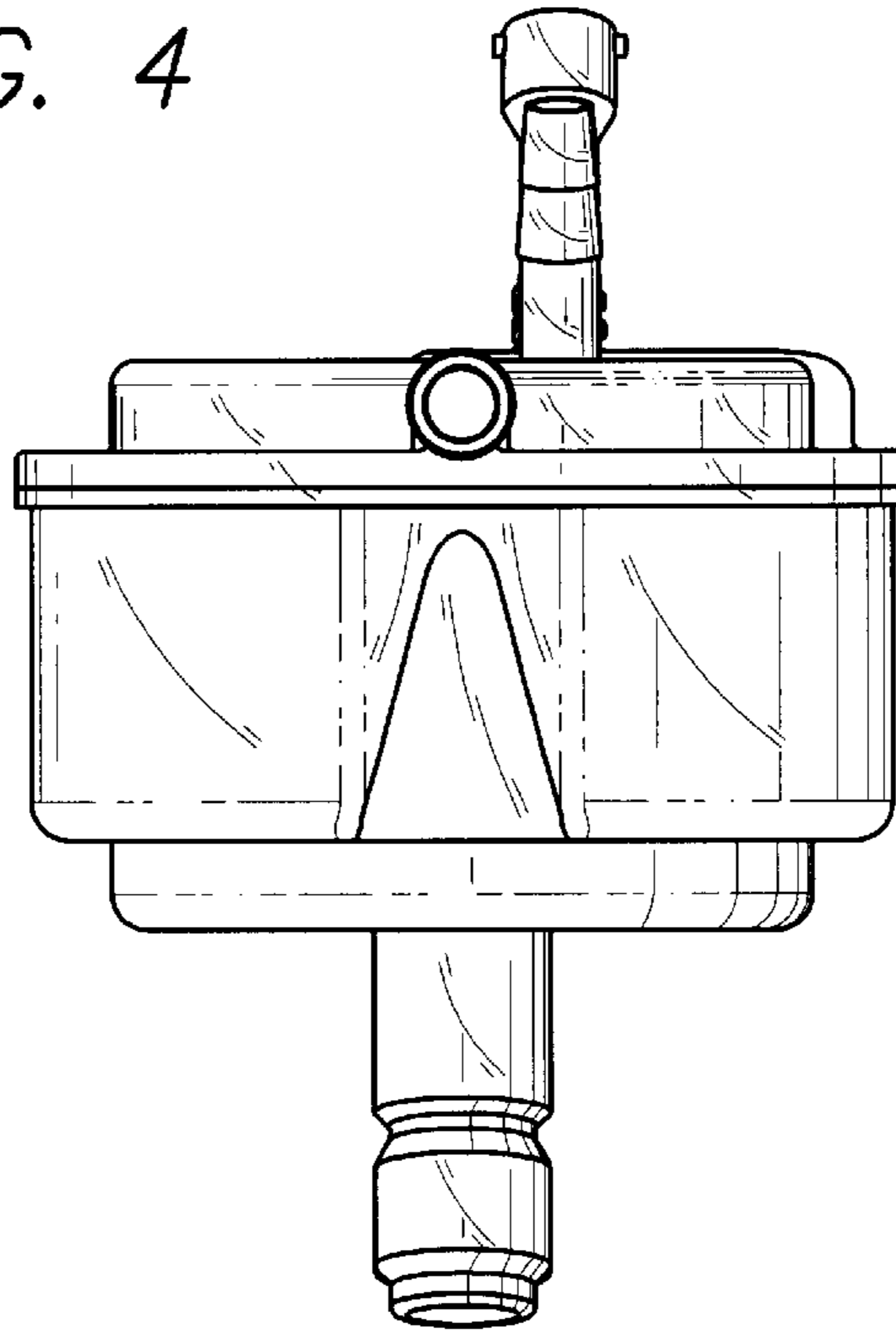


FIG. 5

FIG. 6

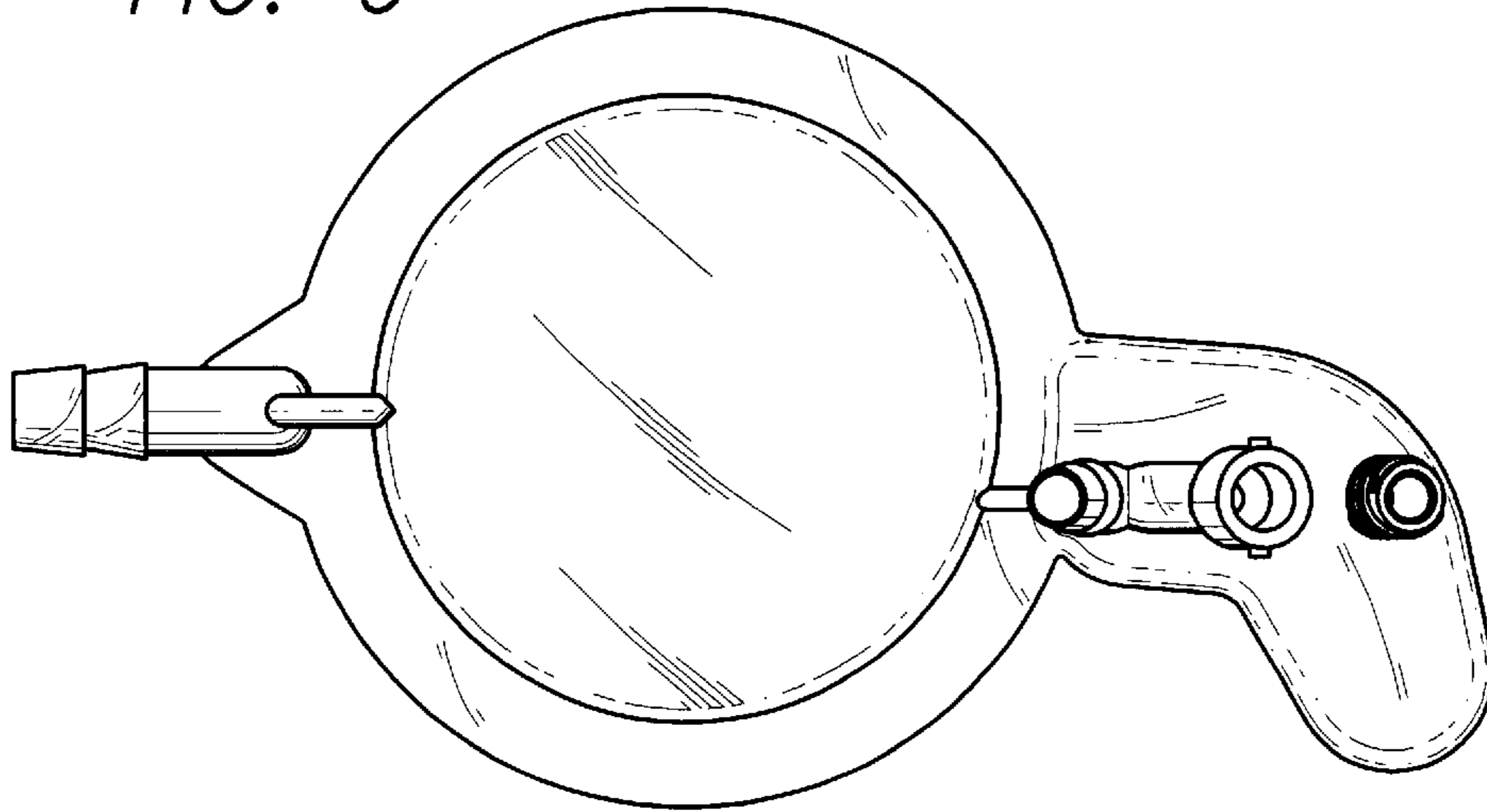


FIG. 7

