



US00D483485S

(12) **United States Design Patent**
Phillips-Nicholas

(10) **Patent No.:** **US D483,485 S**

(45) **Date of Patent:** **** Dec. 9, 2003**

(54) **FEMININE HYGIENE PAD**

(76) **Inventor:** **Cheryl A. Phillips-Nicholas**, 187-22
Keeseville Ave., Jamaica, NY (US)
11412

(**) **Term:** **14 Years**

(21) **Appl. No.:** **29/178,943**

(22) **Filed:** **Apr. 3, 2003**

(51) **LOC (7) Cl.** **24-04**

(52) **U.S. Cl.** **D24/125**

(58) **Field of Search** D24/124, 125;
604/358, 378, 359, 360, 361, 385.01, 386,
387

(56) **References Cited**

U.S. PATENT DOCUMENTS

4,533,357 A * 8/1985 Hall 604/401

4,631,062 A * 12/1986 Lassen et al. 604/385.02

D342,785 S * 12/1993 Farrell D24/125

D356,639 S * 3/1995 Lynch D24/125

D459,801 S * 7/2002 Scott-Watts et al. D24/125

* cited by examiner

Primary Examiner—Stella Reid

(57) **CLAIM**

The ornamental design for a feminine hygiene pad, as shown and described.

DESCRIPTION

FIG. 1 is a top plan view of a feminine hygiene pad showing my new design.

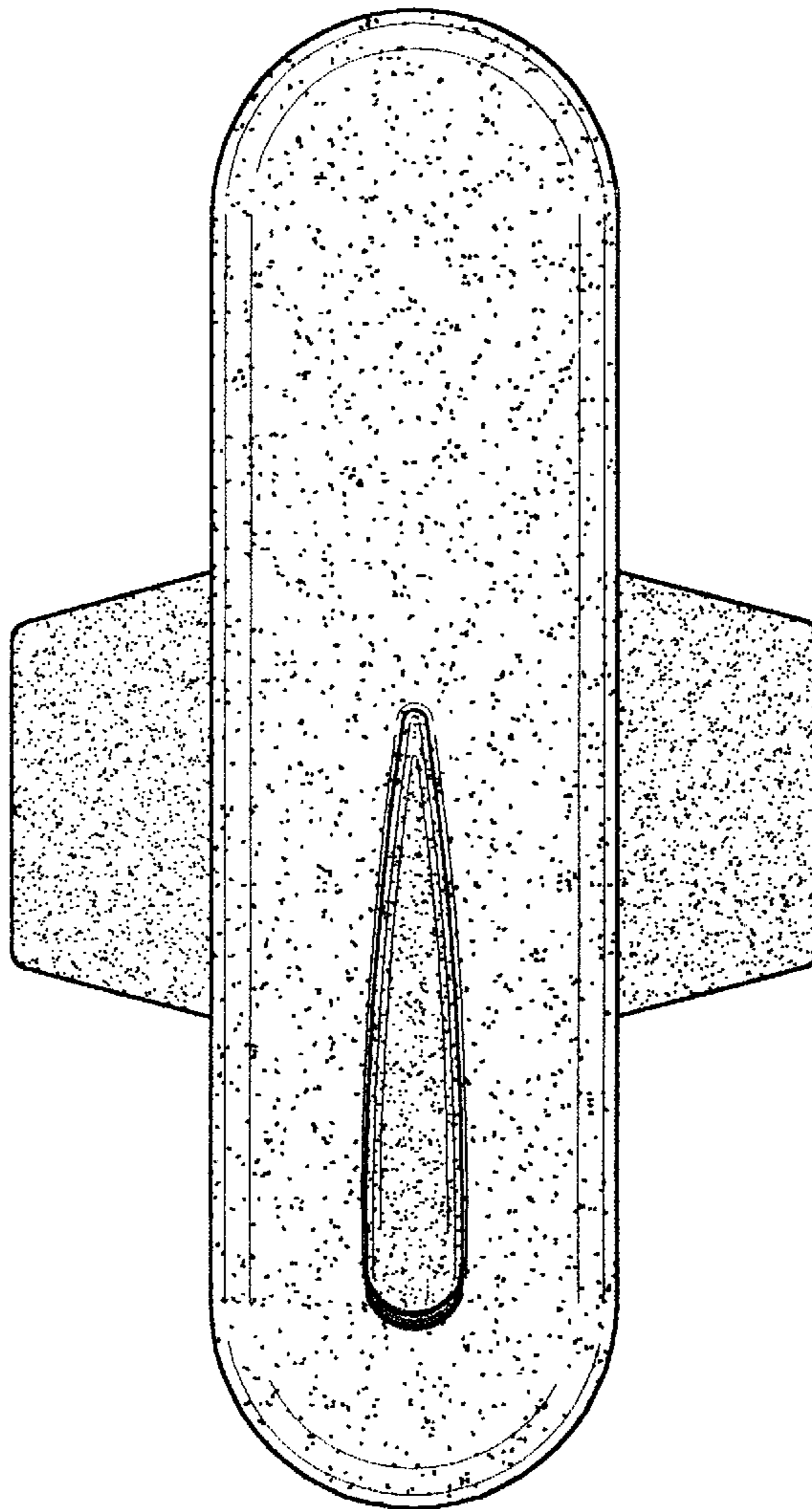
FIG. 2 is a rear view thereof;

FIG. 3 is a side view thereof;

FIG. 4 is a front end view thereof; and,

FIG. 5 is a rear end view thereof.

1 Claim, 2 Drawing Sheets



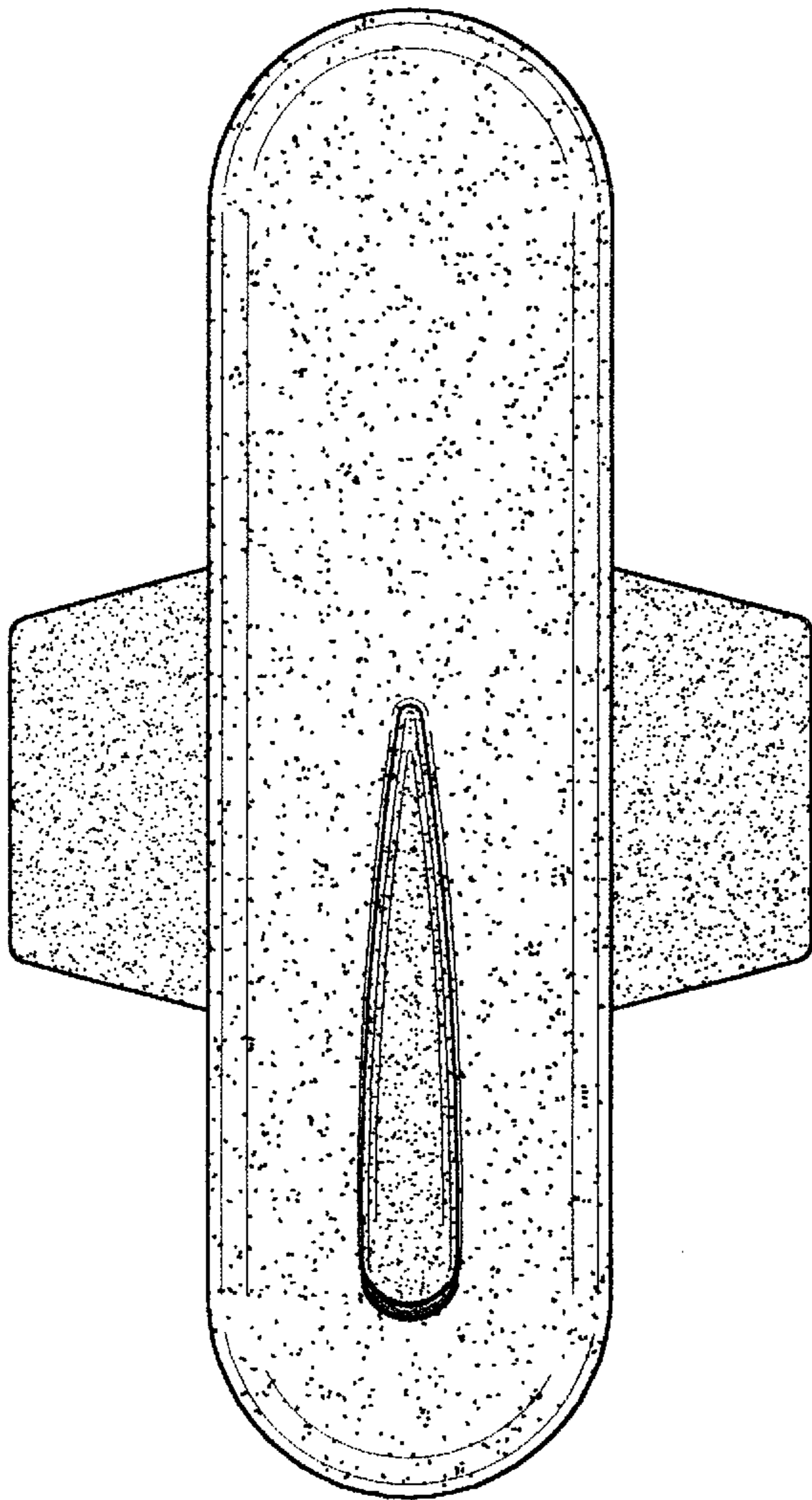


FIG. 1

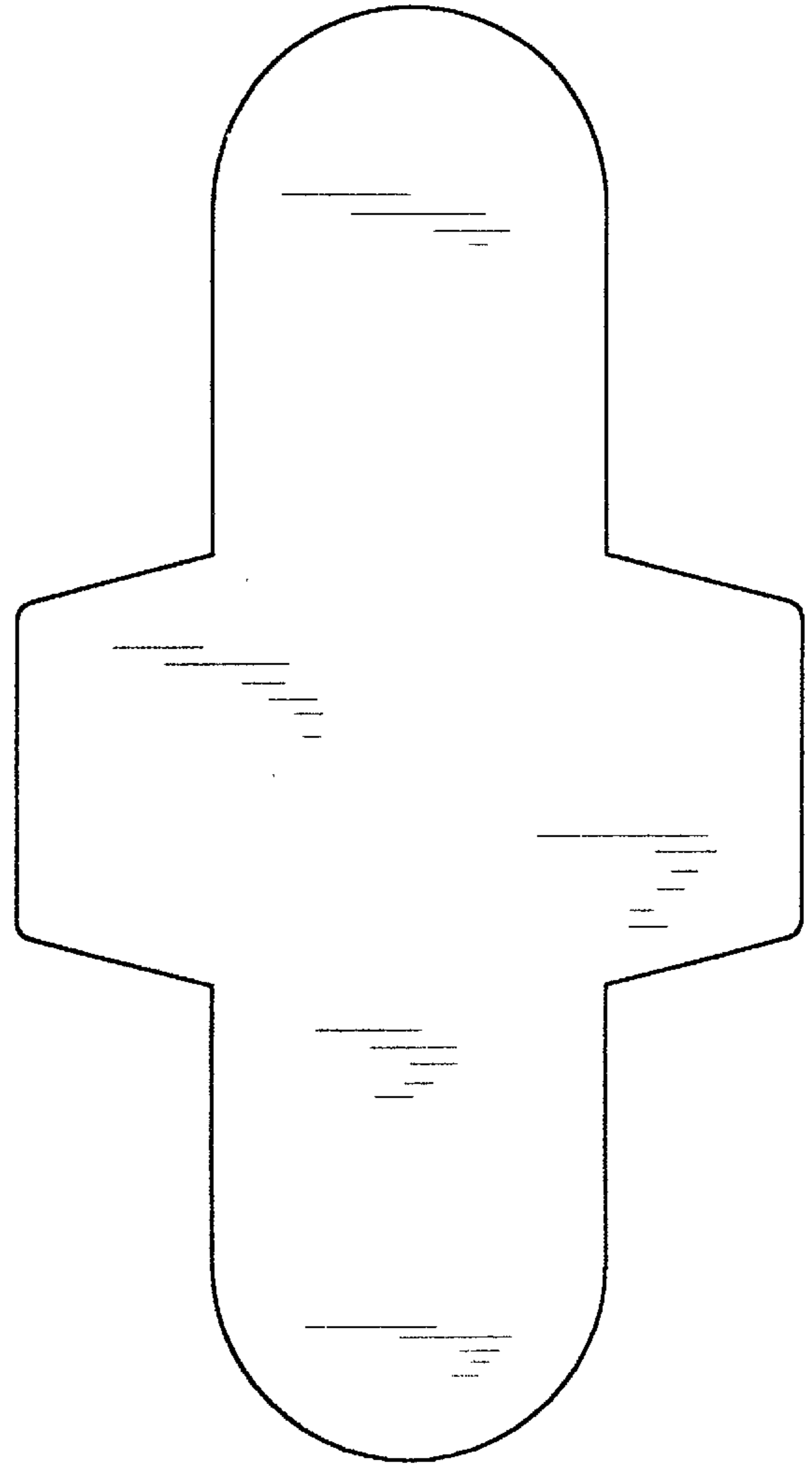


FIG. 2

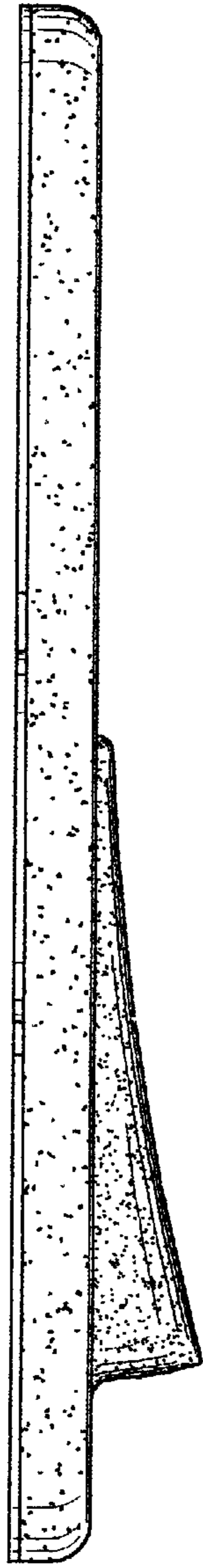


FIG. 3

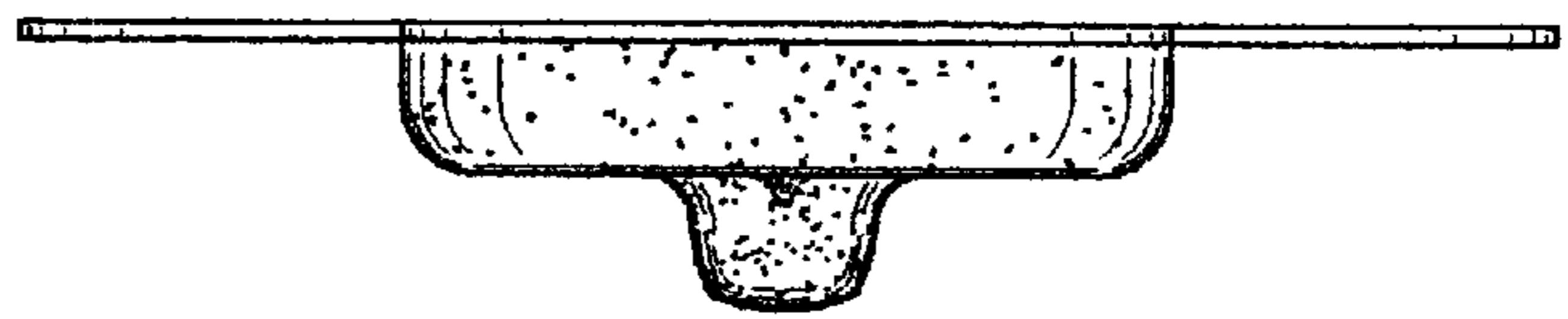


FIG. 4

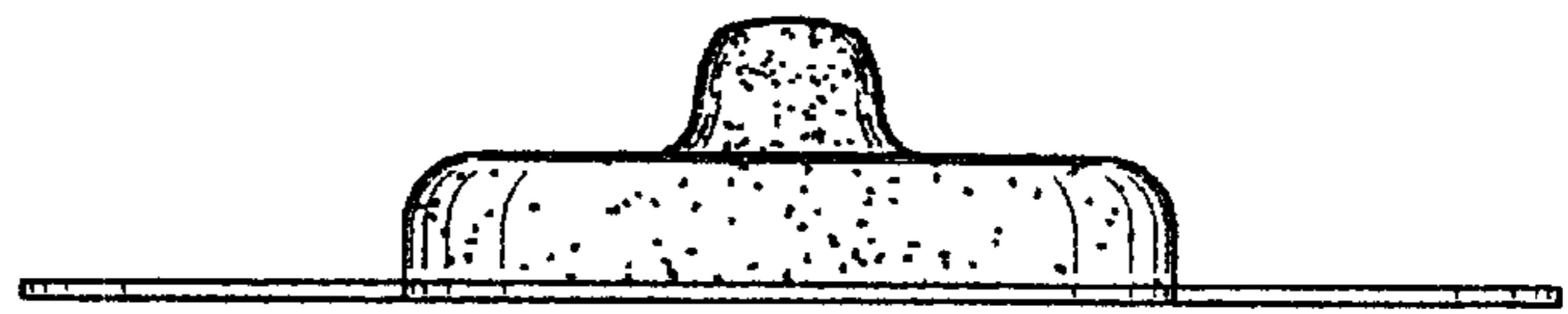


FIG. 5