



US00D483478S

(12) **United States Design Patent**
Carraher

(10) **Patent No.:** **US D483,478 S**

(45) **Date of Patent:** **** Dec. 9, 2003**

(54) **SPOON**
(75) Inventor: **Robert Carraher**, Ridgefield, CT (US)
(73) Assignee: **Taro Pharmaceutical Industries Ltd.**,
Haifa Bay (IL)
(**) Term: **14 Years**

(21) Appl. No.: **29/170,599**
(22) Filed: **Nov. 8, 2002**

(51) **LOC (7) Cl.** **24-02**
(52) **U.S. Cl.** **D24/116; D7/653**
(58) **Field of Search** **D24/116; D7/653,**
D7/642; D10/46.2; 604/77, 78; 30/324,
326

(56) **References Cited**
U.S. PATENT DOCUMENTS

3,369,407 A * 2/1968 Hein D10/46.2
D224,260 S * 7/1972 Zeitzer et al. D24/116

D294,213 S * 2/1988 Chasen D10/46.2
D332,579 S 1/1993 Goldman
D422,851 S 4/2000 Joergensen

* cited by examiner

Primary Examiner—Ian Simmons

(74) *Attorney, Agent, or Firm*—Michael A. Davitz; Donna
Robertson-Chow; Todd Spradau

(57) **CLAIM**

The ornamental design for a spoon, as shown.

DESCRIPTION

FIG. 1 is an oblique perspective view of the spoon;
FIG. 2 is a left side of the spoon as shown in FIG. 1;
FIG. 3 is a top view of the spoon;
FIG. 4 is a right side view of the spoon;
FIG. 5 is a bottom view of the spoon;
FIG. 6 is a plan view of the spoon from the end distal to the
handle; and,
FIG. 7 is a plan view of the spoon proximal to the handle.

1 Claim, 1 Drawing Sheet

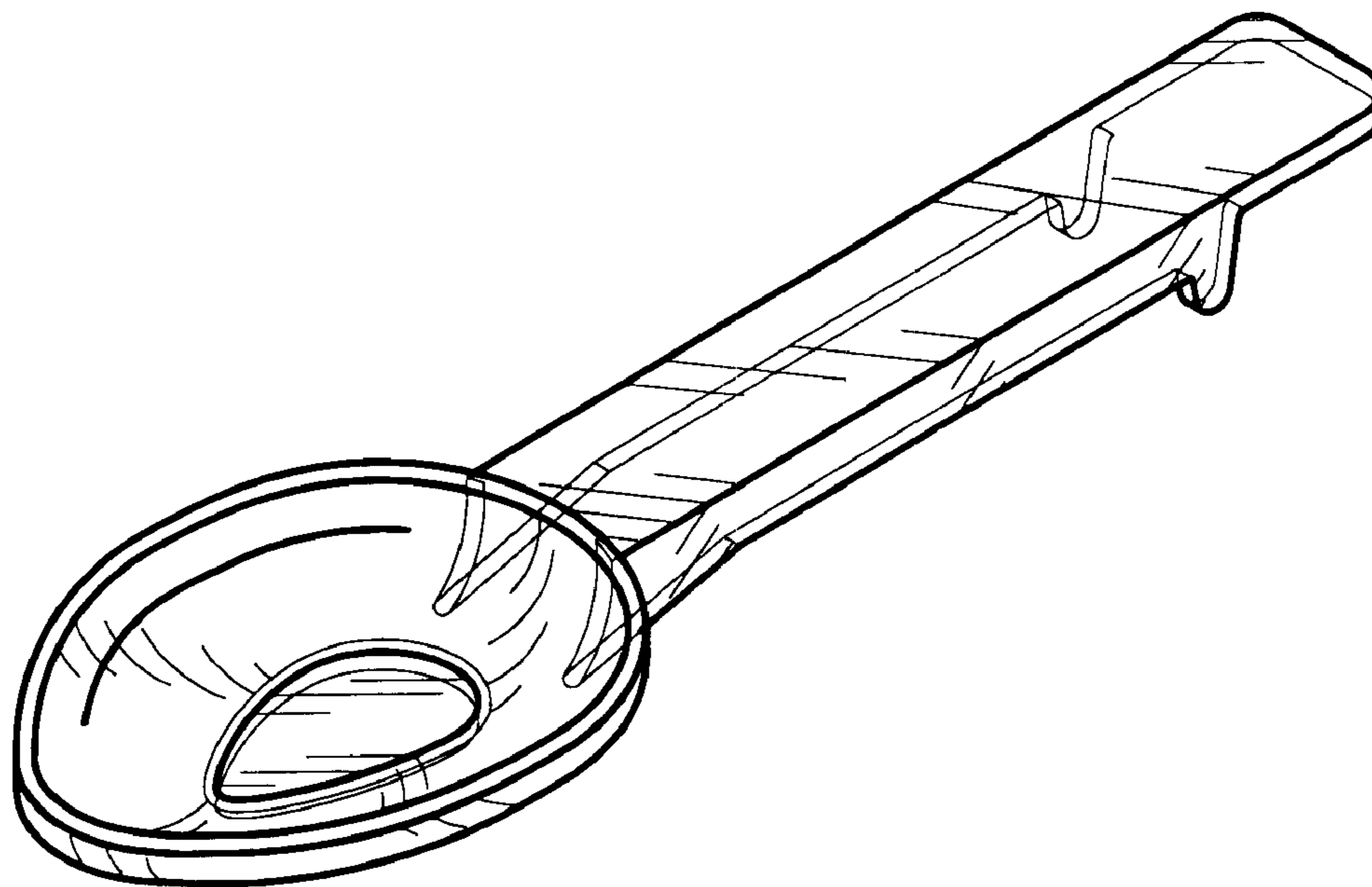


FIG. 1

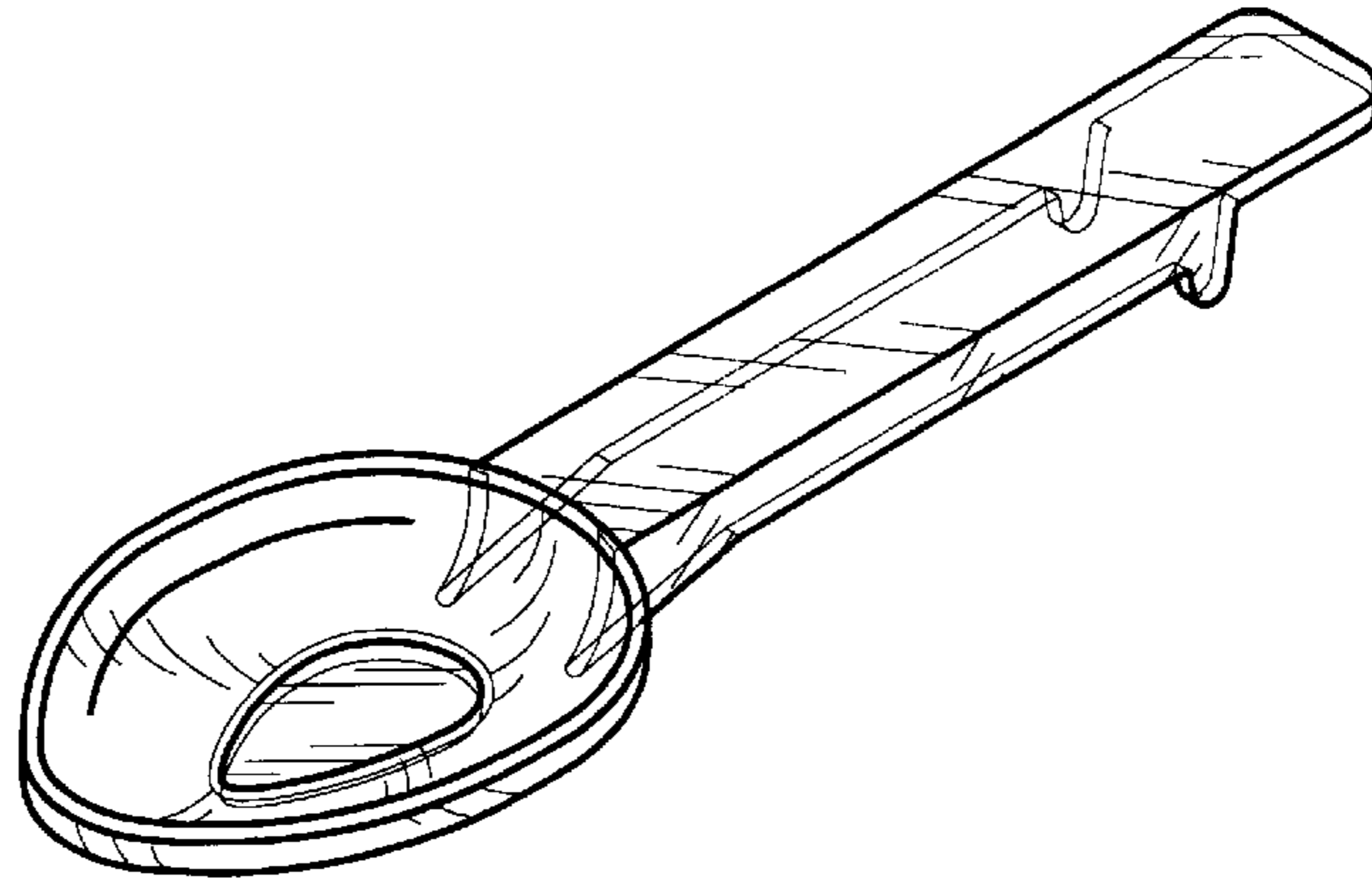


FIG. 2



FIG. 3

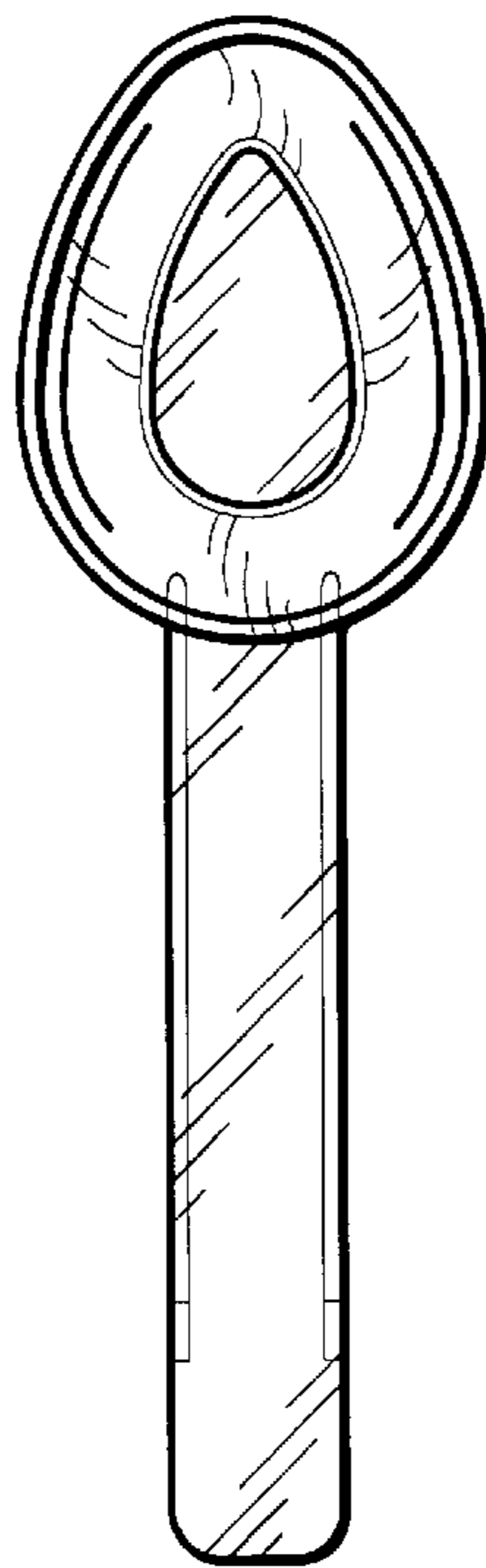


FIG. 4

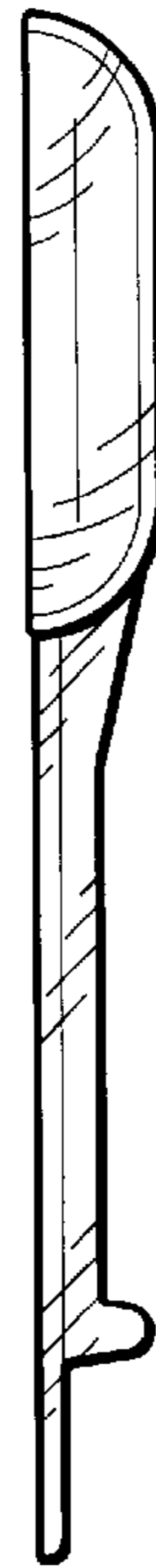


FIG. 5

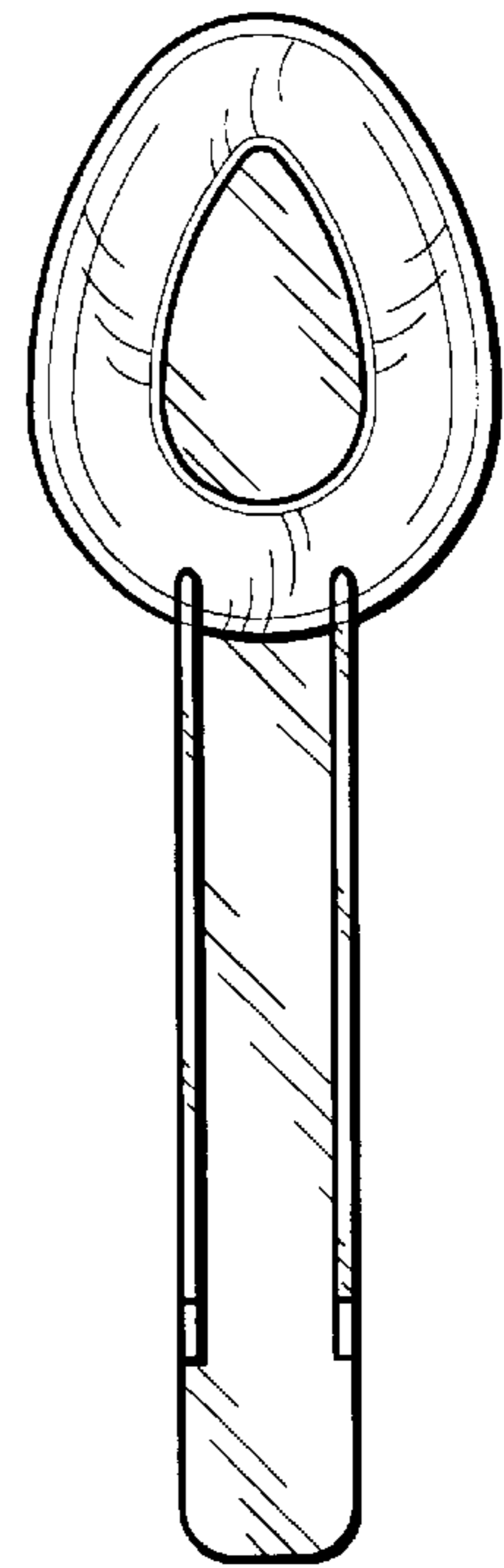


FIG. 6

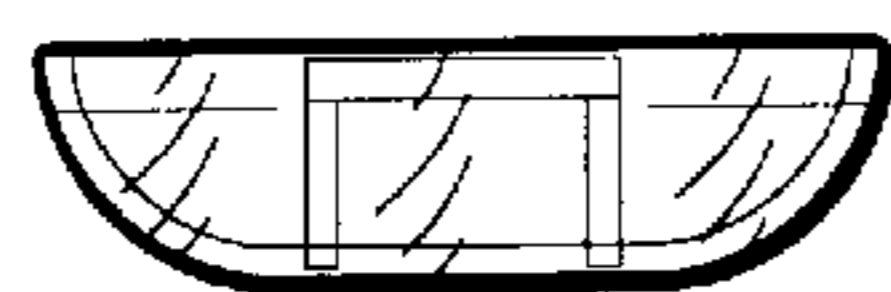


FIG. 7

