



US00D483477S

(12) **United States Design Patent**
Ankey et al.

(10) **Patent No.:** **US D483,477 S**

(45) **Date of Patent:** **** Dec. 9, 2003**

- (54) **PATIENT INTERFACE DEVICE**
- (75) Inventors: **David W. Ankey**, New Kensington, PA (US); **Jason P. Eaton**, Monroeville, PA (US); **Steven Radney**, Carnegie, PA (US)
- (73) Assignee: **RIC Investments, Inc.**, Wilmington, DE (US)
- (**) Term: **14 Years**

- 5,243,971 A 9/1993 Sullivan et al.
- D349,586 S 8/1994 Handke
- 5,492,116 A 2/1996 Scarberry et al.
- 5,540,223 A 7/1996 Starr et al.
- 5,560,354 A 10/1996 Berthon-Jones et al.
- 5,647,357 A 7/1997 Barnett et al.
- 5,662,101 A 9/1997 Ogden et al.
- 5,676,133 A 10/1997 Hickle et al.
- D389,238 S 1/1998 Kirk, III et al.
- 5,724,965 A 3/1998 Handke et al.
- 5,746,201 A 5/1998 Kidd

(List continued on next page.)

- (21) Appl. No.: **29/176,523**
- (22) Filed: **Feb. 21, 2003**

FOREIGN PATENT DOCUMENTS

WO WO 98-04310 2/1998

Related U.S. Application Data

- (62) Division of application No. 29/166,792, filed on Sep. 4, 2002.
- (51) **LOC (7) Cl.** **29-02**
- (52) **U.S. Cl.** **D24/110.4; D24/110.1**
- (58) **Field of Search** D24/110.4, 110.1, D24/164; 128/206.27, 207.17, 205.25, 202.27, 204.11, 207.13, 207.18, 206.21, 207.11, 207.12

Primary Examiner—Ian Simmons

(74) *Attorney, Agent, or Firm*—Michael W. Haas

(57) **CLAIM**

The ornamental design for a patient interface device, as shown and described.

DESCRIPTION

FIG. 1 is a front perspective view of an embodiment of a patient interface device according to our new design; FIG. 2 is a rear perspective view of the patient interface device shown in FIG. 1; FIG. 3 is a front elevational view of the patient interface device shown in FIG. 1; FIG. 4 is a rear elevational view of the patient interface device shown in FIG. 1; FIG. 5 is a right side elevational view of the patient interface device shown in FIG. 1, the left side elevational view being similar thereto; FIG. 6 is a top plan view of the patient interface device shown in FIG. 1; and, FIG. 7 is a bottom plan view of the patient interface device shown in FIG. 1.

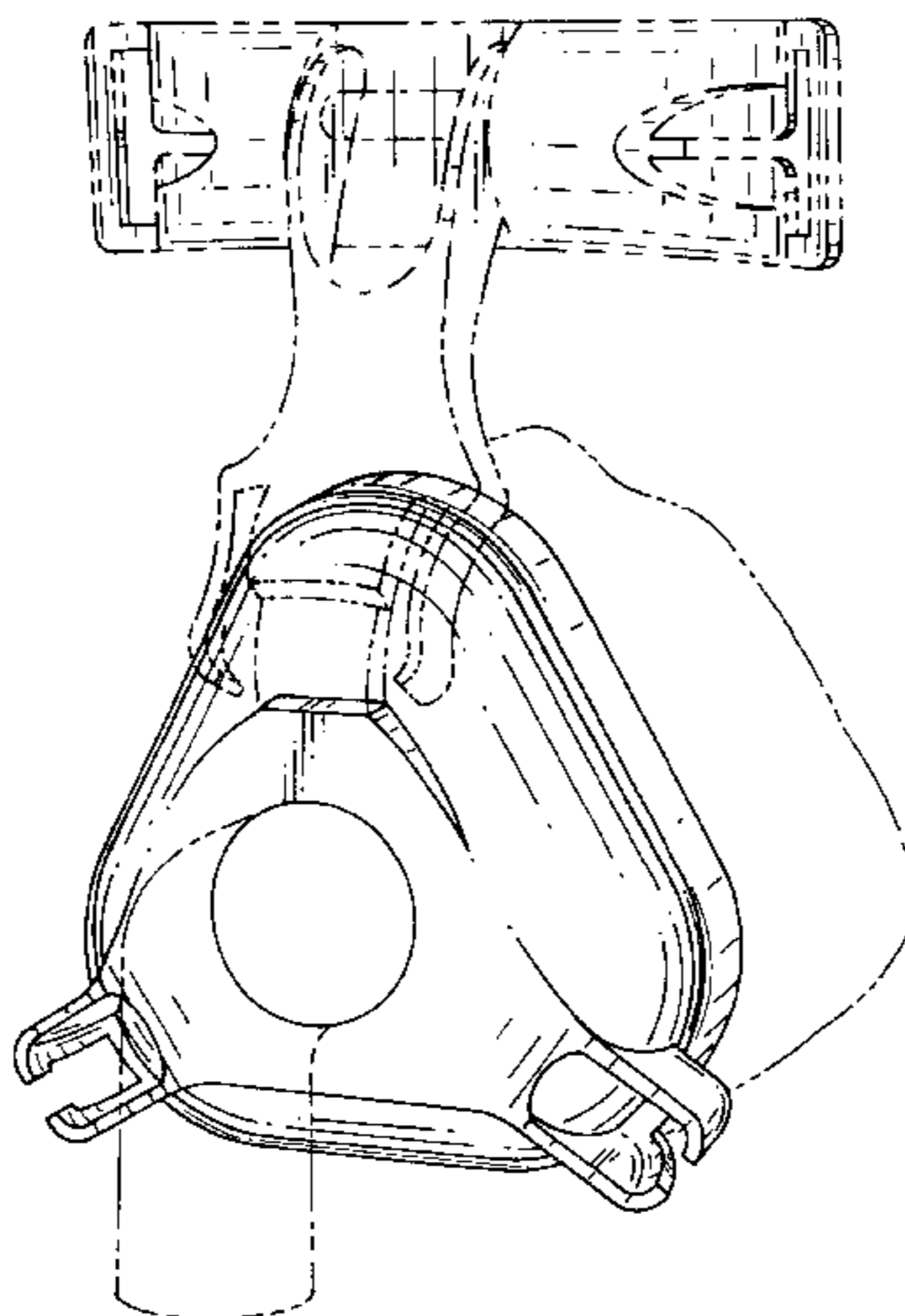
The portions drawn in broken lines are shown for illustrative purposes only and form no part of the claimed design.

(56) **References Cited**

U.S. PATENT DOCUMENTS

- 2,011,733 A 8/1935 Shindel
- 2,104,016 A 1/1938 Biggs
- 2,254,854 A 9/1941 O'Connell
- 2,317,608 A 4/1943 Heidbrink
- 2,749,910 A 6/1956 Faulconer, Jr.
- 2,931,356 A 4/1960 Schwarz
- 2,939,458 A 6/1960 Lundquist
- 3,330,273 A 7/1967 Bennett
- 4,167,185 A 9/1979 Lewis
- 4,655,213 A 4/1987 Rapoport et al.
- 4,677,977 A 7/1987 Wilcox
- 4,739,755 A 4/1988 White et al.
- 4,907,584 A 3/1990 McGinnis
- 4,944,310 A 7/1990 Sullivan
- D333,015 S 2/1993 Farmer et al.

1 Claim, 6 Drawing Sheets



US D483,477 S

Page 2

U.S. PATENT DOCUMENTS

D402,755 S	12/1998	Kwok	6,374,826 B1 *	4/2002	Gunaratnam et al. ..	128/206.27
5,884,624 A	3/1999	Barnett et al.	D457,622 S	5/2002	Kopacko et al.	
D412,745 S	8/1999	Scheu	D458,365 S	6/2002	Kopacko et al.	
D430,663 S *	9/2000	Smart D24/110.4	D459,993 S	6/2002	Kopacko et al.	
D431,077 S	9/2000	McGinnis et al.	D459,800 S	7/2002	Smart	
D434,141 S	11/2000	Randeberg et al.	D464,427 S *	10/2002	Smart D24/110.1	
D447,557 S	9/2001	Wilkie et al.	D477,074 S *	7/2003	Rudolph et al. D24/110.4	
D448,473 S	9/2001	Barnett et al.				

* cited by examiner

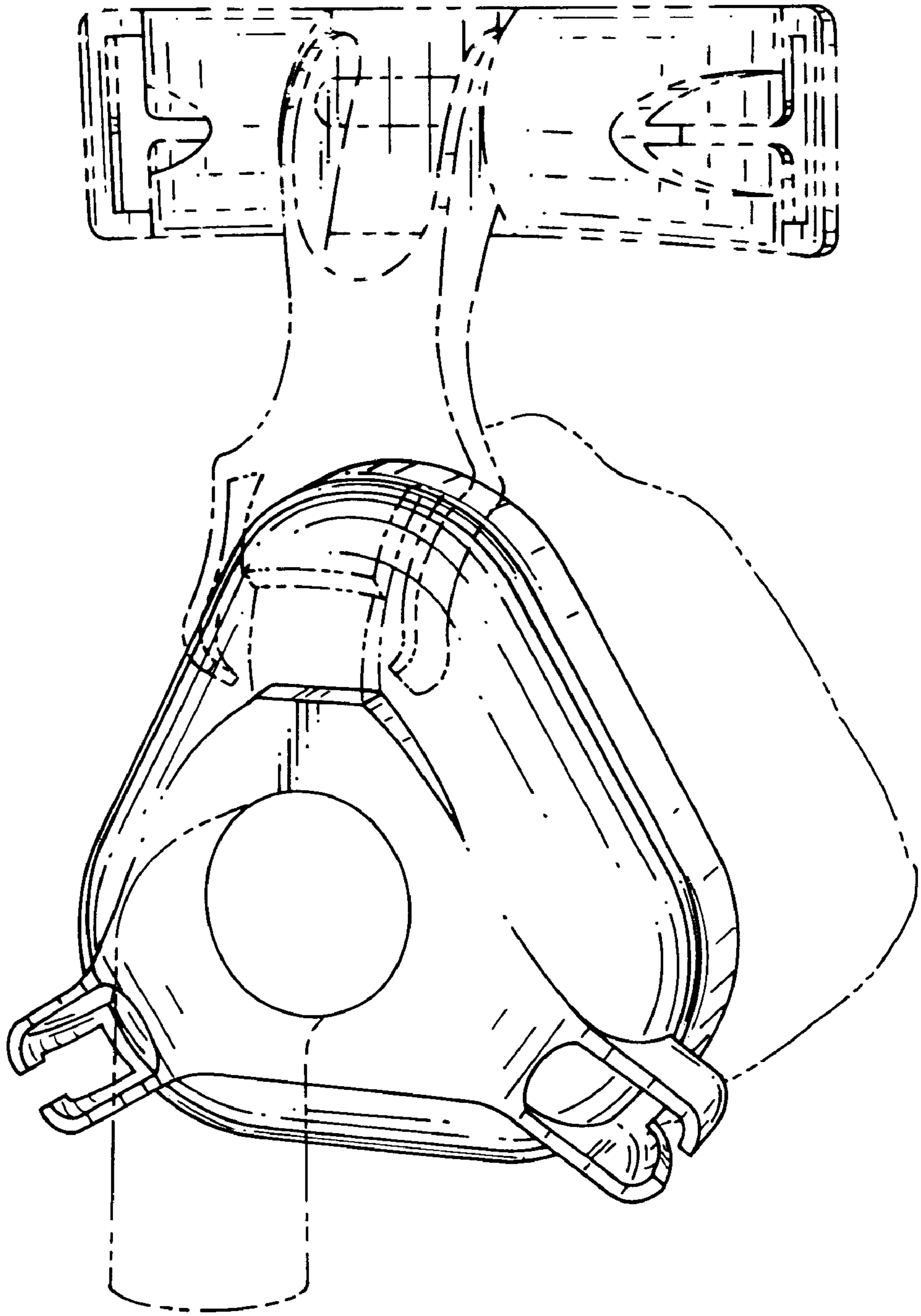


FIG. 1

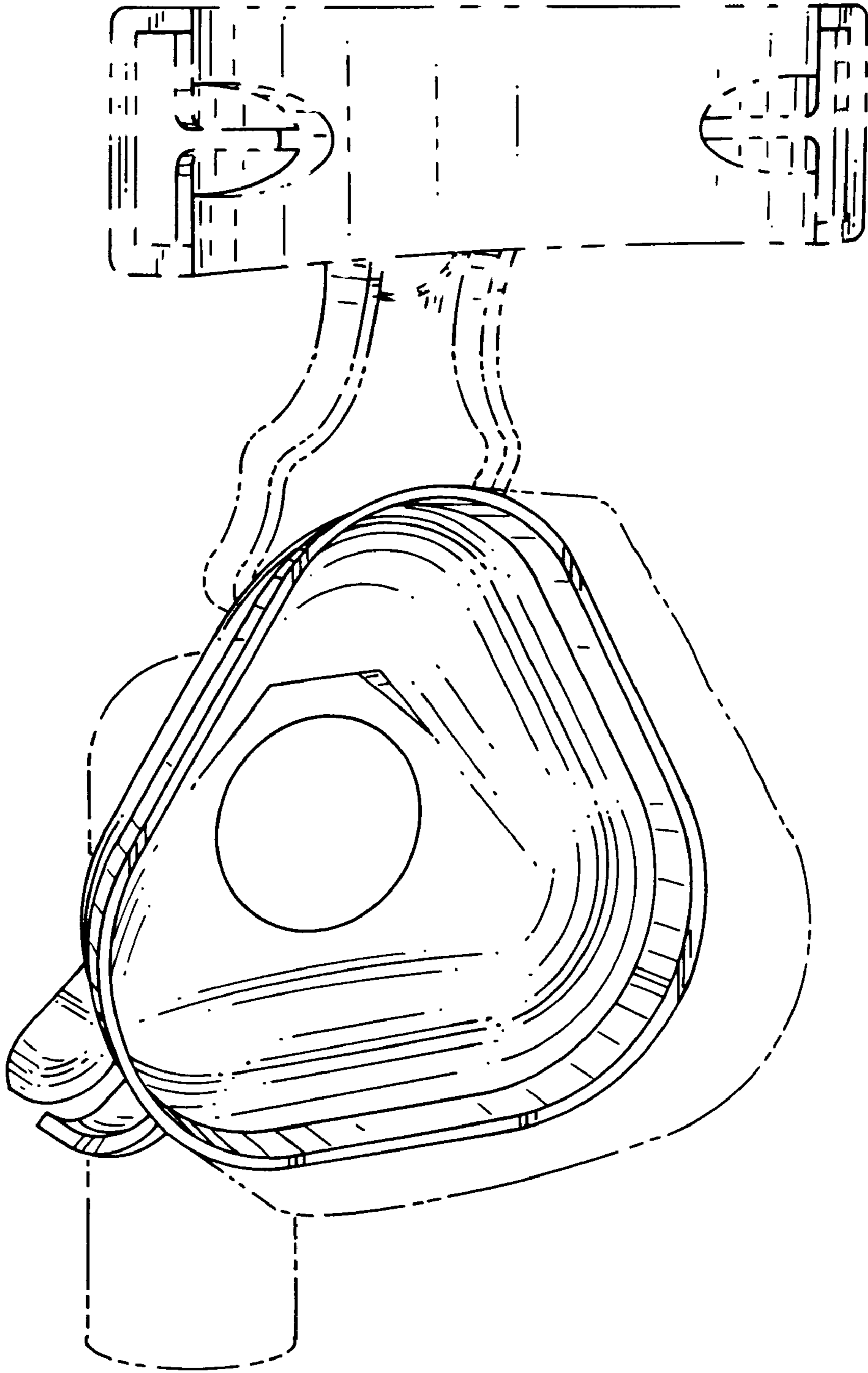


FIG. 2

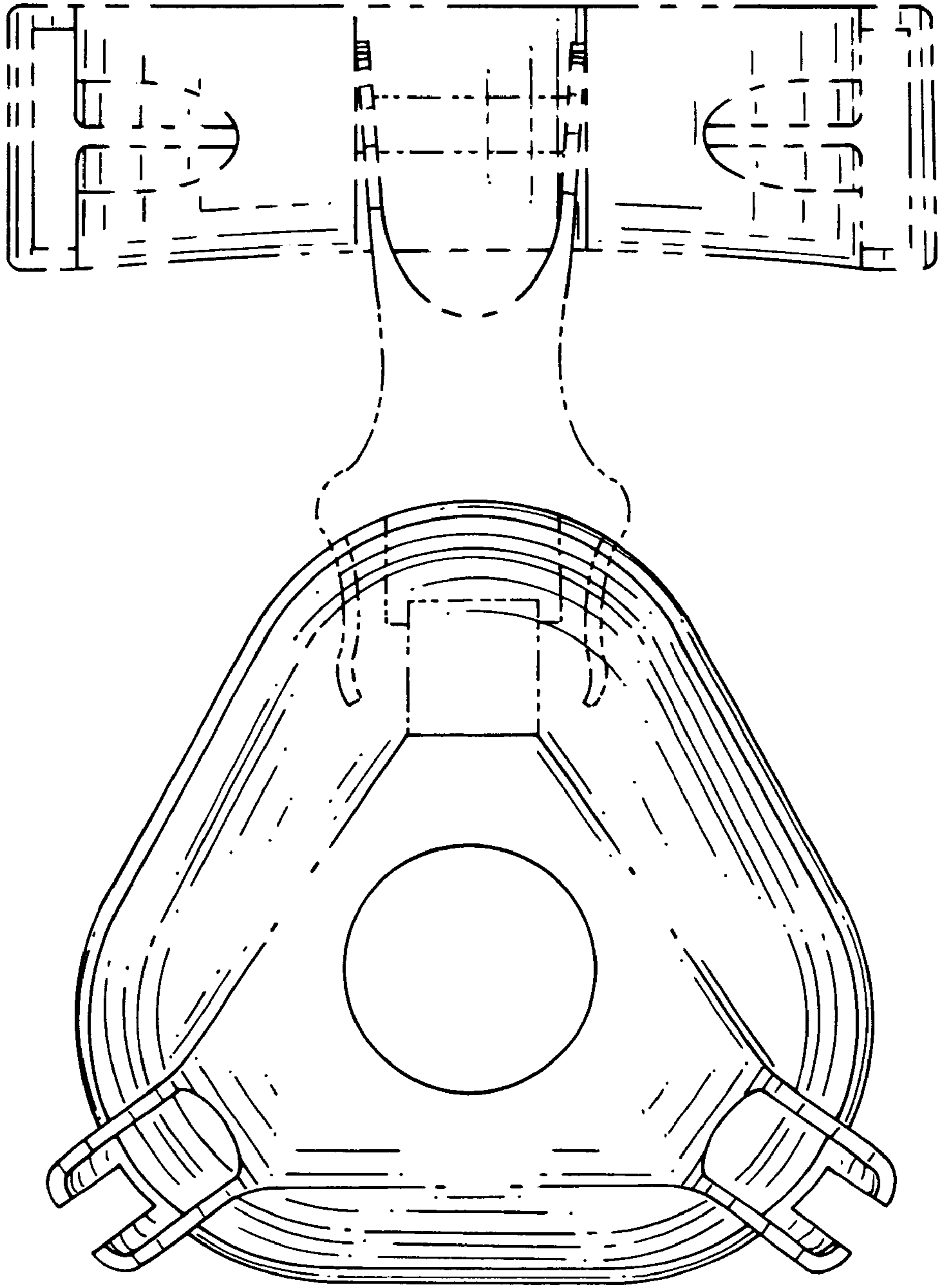


FIG. 3

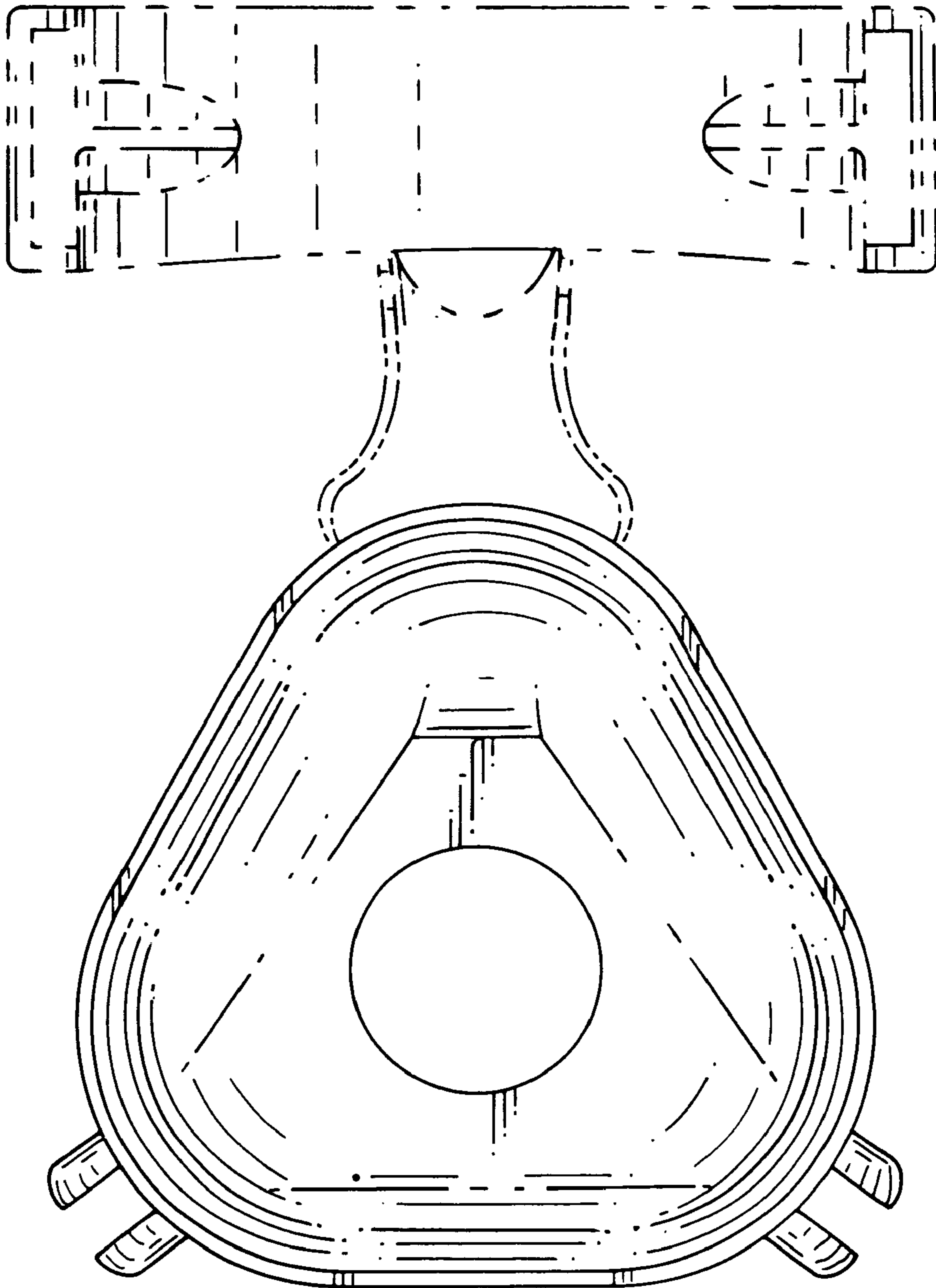


FIG. 4

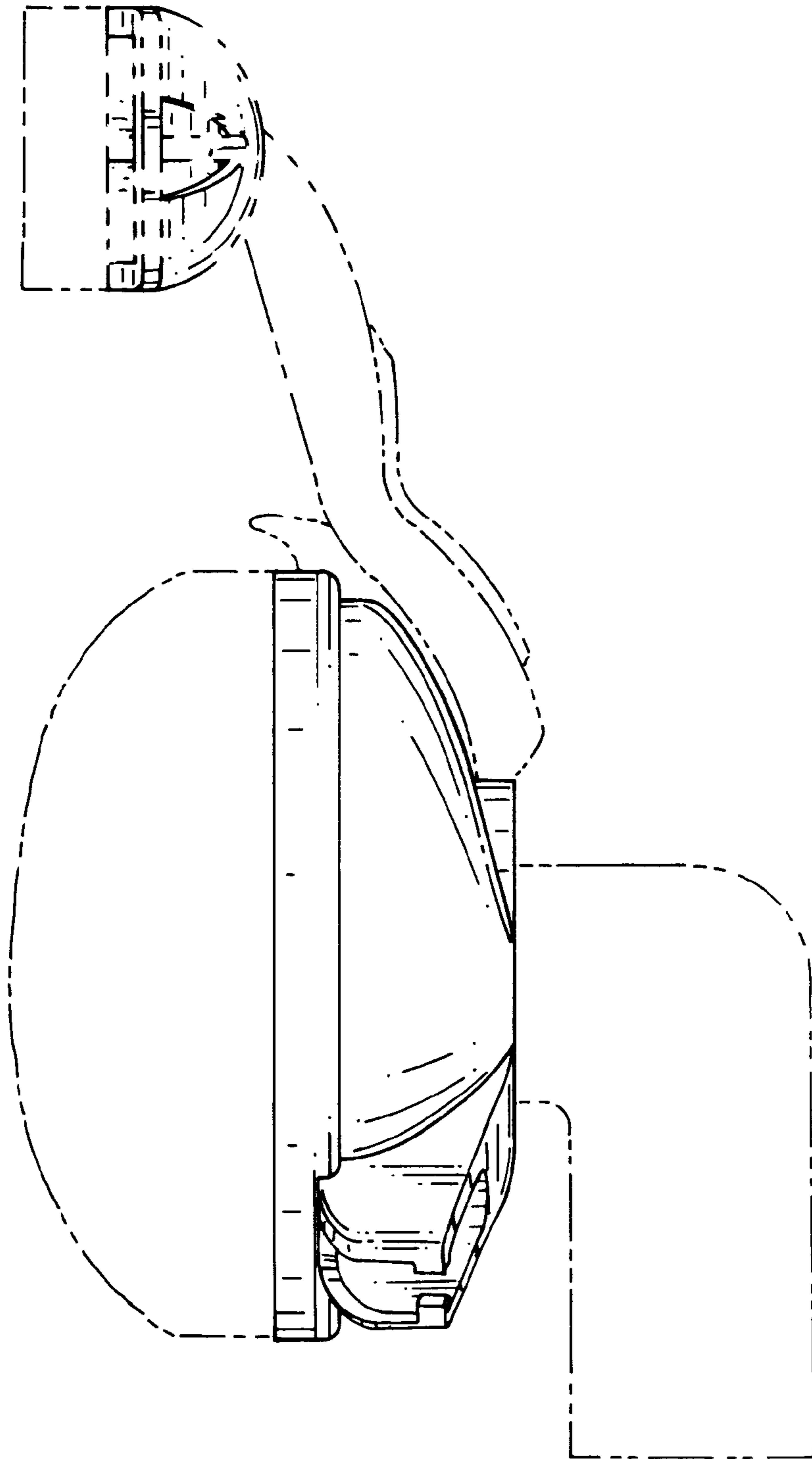


FIG. 5

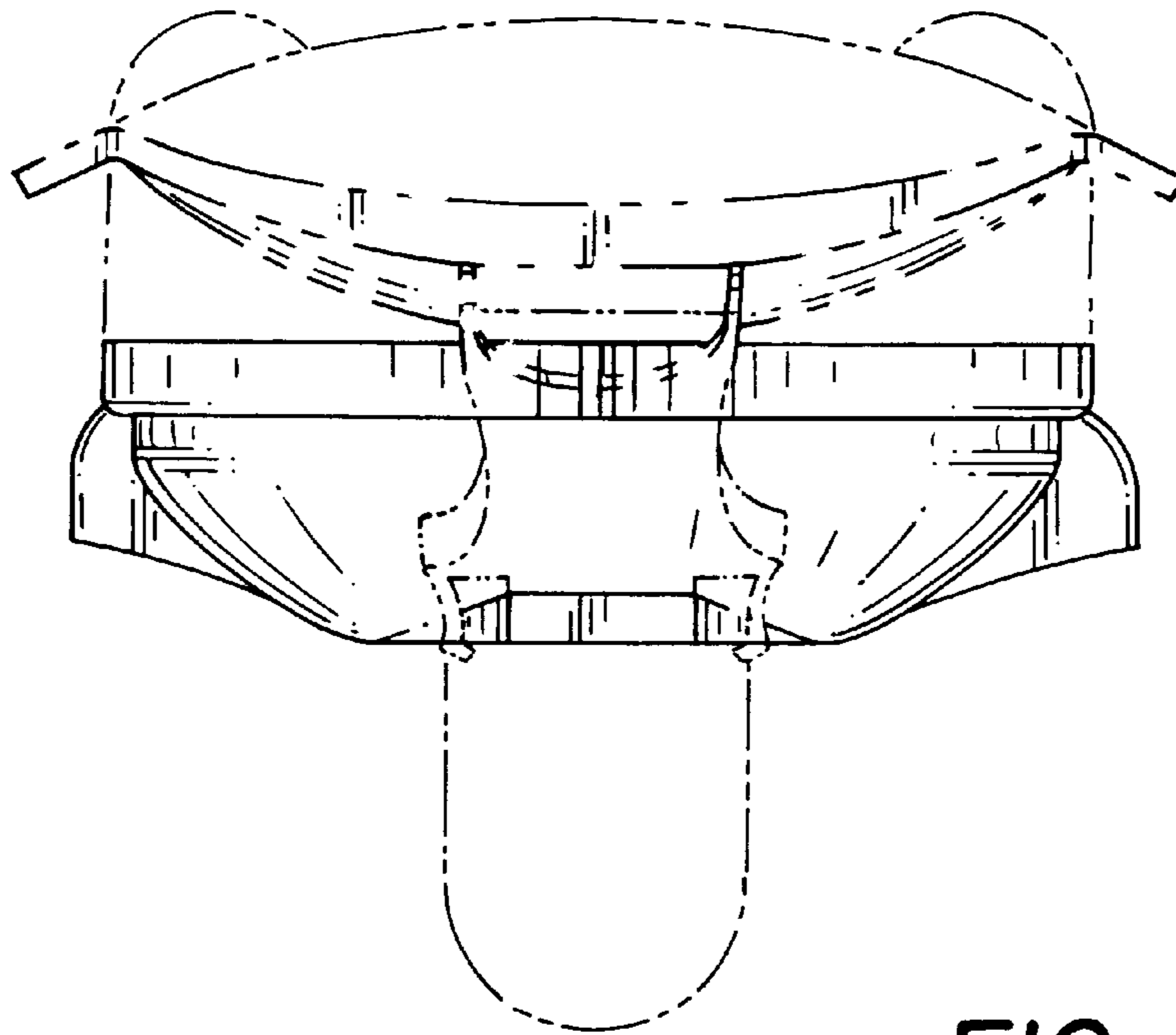


FIG. 6

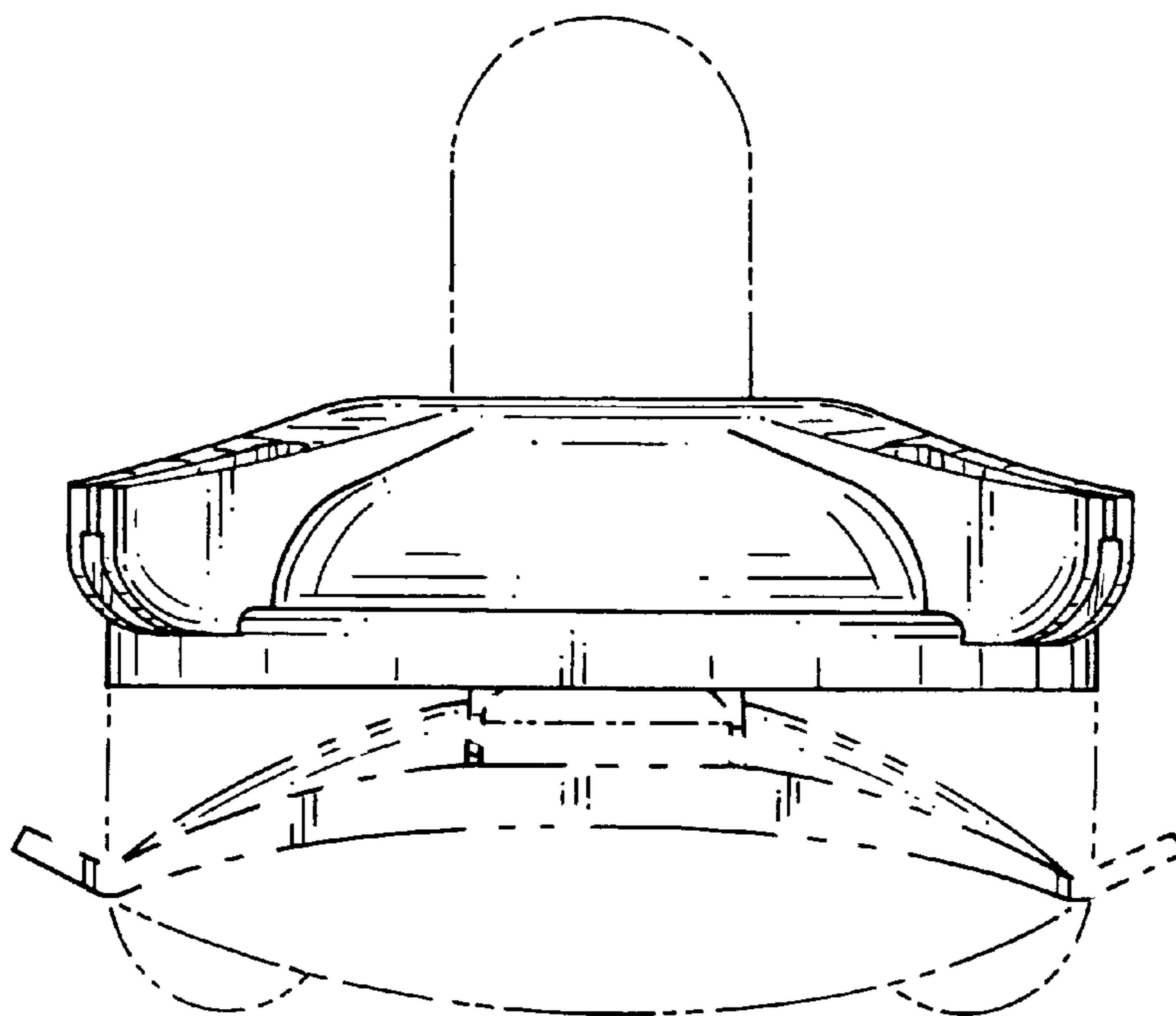


FIG. 7