



US00D483474S

(12) **United States Design Patent**
Young

(10) **Patent No.:** **US D483,474 S**

(45) **Date of Patent:** **** Dec. 9, 2003**

(54) **CEILING FAN BLADE ASSEMBLY**

(75) Inventor: **Stanfield Young**, Cypress, CA (US)

(73) Assignee: **Minka Lighting, Inc.**, Corona, CA (US)

(**) Term: **14 Years**

(21) Appl. No.: **29/167,955**

(22) Filed: **Sep. 23, 2002**

(51) **LOC (7) Cl.** **23-04**

(52) **U.S. Cl.** **D23/413**

(58) **Field of Search** D23/377, 379,
D23/385, 411, 413; 416/5; 392/364

(56) **References Cited**

U.S. PATENT DOCUMENTS

D417,494 S	*	12/1999	Evans	D23/377
D427,672 S	*	7/2000	Lee	D23/377
D449,372 S	*	10/2001	Gajewski	D23/377

OTHER PUBLICATIONS

Minka Lighting, Inc.; MinkaAire Two Thousand Two; Apr. 22, 2002; pp. 24, 25; Minka Lighting, Inc.; U.S.A.

* cited by examiner

Primary Examiner—Lisa Lichtenstein

(74) *Attorney, Agent, or Firm*—Jenkins & Gilchrist, P.C.

(57) **CLAIM**

The ornamental design for a ceiling fan blade assembly, as shown and described.

DESCRIPTION

FIG. 1 is a perspective view from below of the ceiling fan

blade assembly illustrating the environment of the ceiling fan blade assembly in accordance with my design.

FIG. 2 is a bottom plan view of the ceiling fan blade assembly in accordance with my design, illustrating the environment of the invention;

FIG. 3 is a front elevation view of the ceiling fan blade assembly, on a reduced scale in accordance with my design, illustrating the environment of the invention;

FIG. 4 is a top plan view of the ceiling fan blade assembly in accordance with my design, illustrating the environment of the invention;

FIG. 5 is a side elevation view of the ceiling fan blade assembly, illustrating the environment of the invention in accordance with my design;

FIG. 6 is an enlarged partial perspective view from above of the ceiling fan blade assembly in accordance with my design;

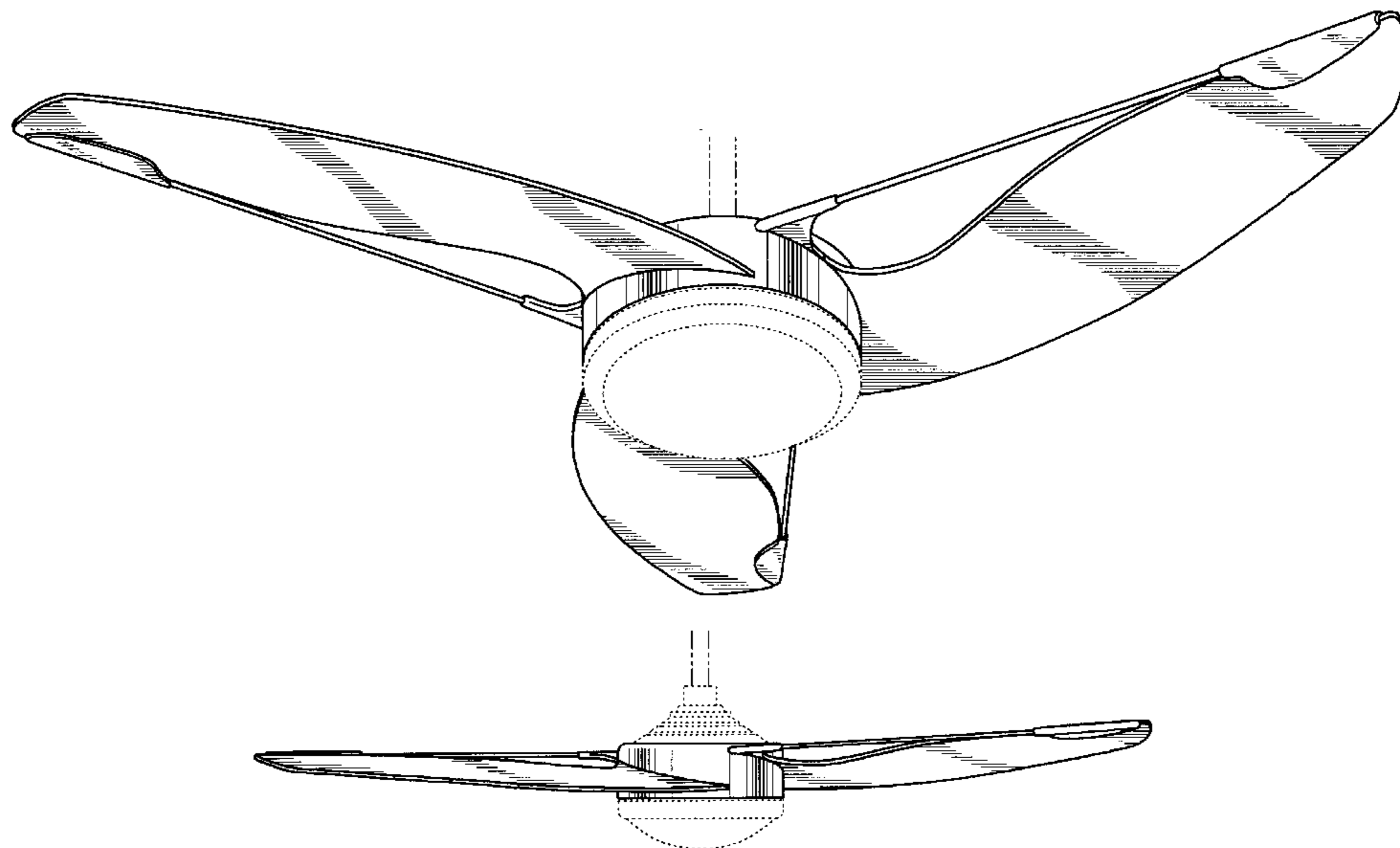
FIG. 7 is an enlarged top plan view of a blade of the ceiling fan blade assembly shown separately for clarity of illustration; and,

FIG. 8 is an enlarged side elevation view of the rotation assembly of the ceiling fan blade assembly shown separately for clarity of illustration in accordance with my design.

The broken line showing of environmental structure in FIGS. 1–8 is for illustrative purposes only and forms no part of the claimed design.

Two of the fan blades have been shown broken away in FIG. 6 for ease of illustration. The right and left side elevation views are substantially identical except for the position of the fan blades. The rear and front elevation views are substantially identical except for the position of the fan blades.

1 Claim, 4 Drawing Sheets



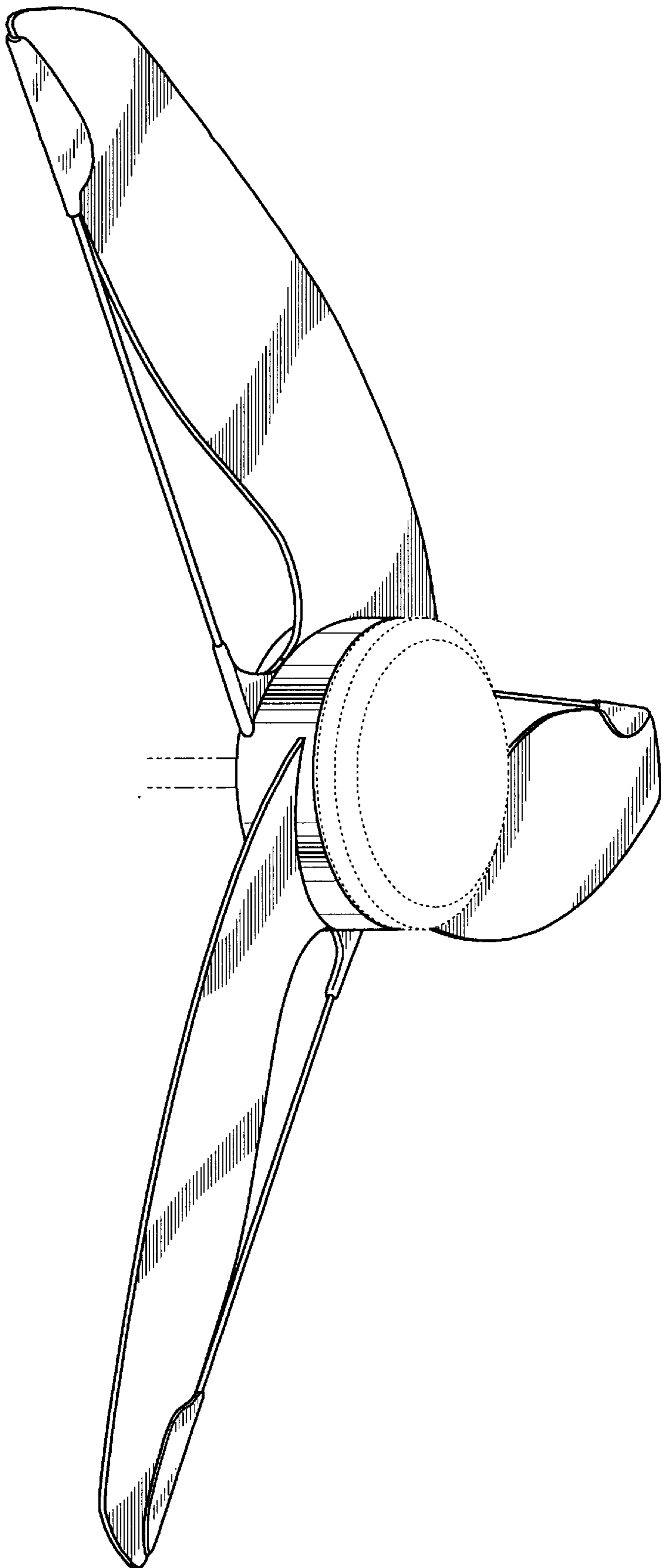


Fig. 1

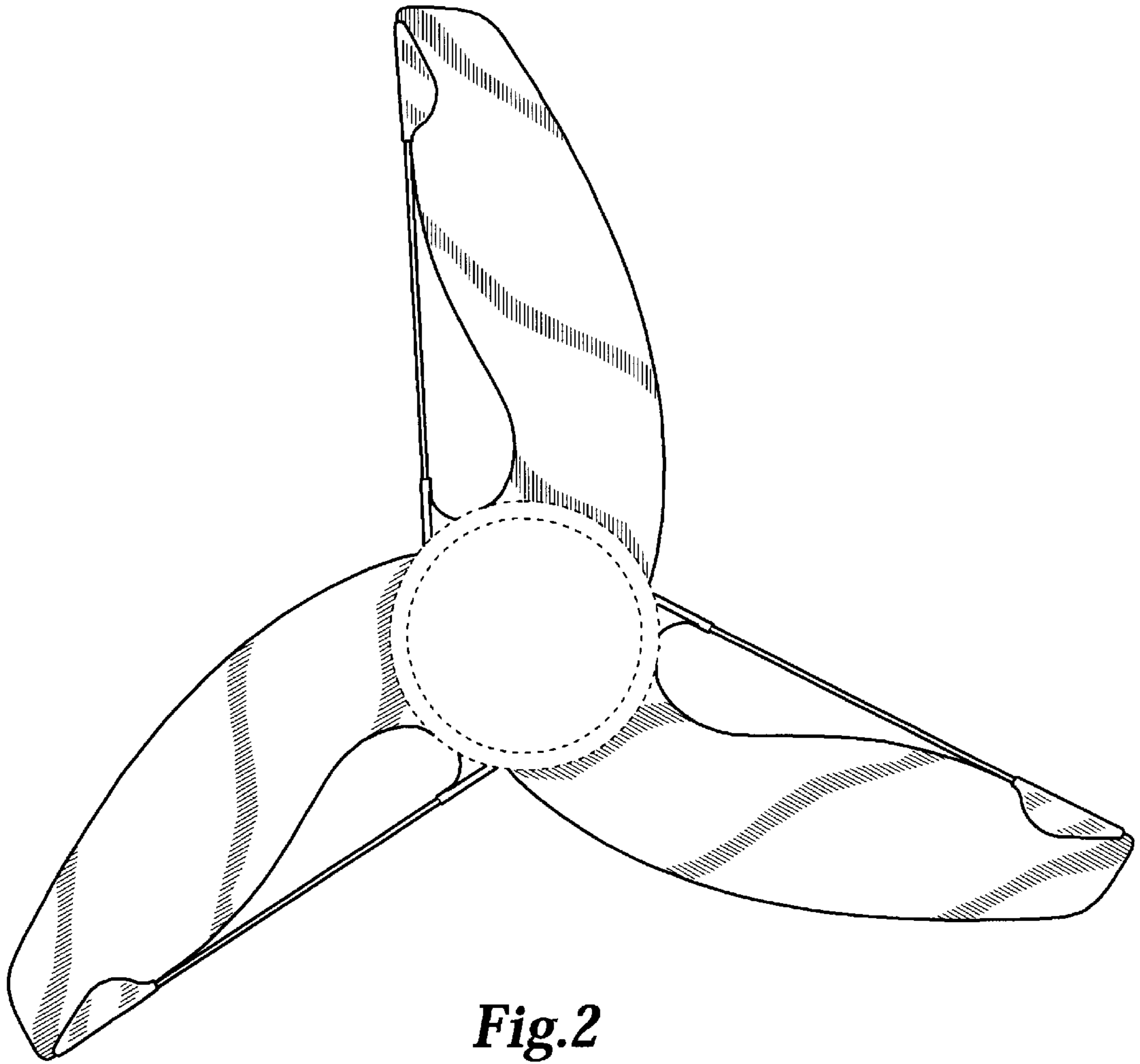


Fig.2

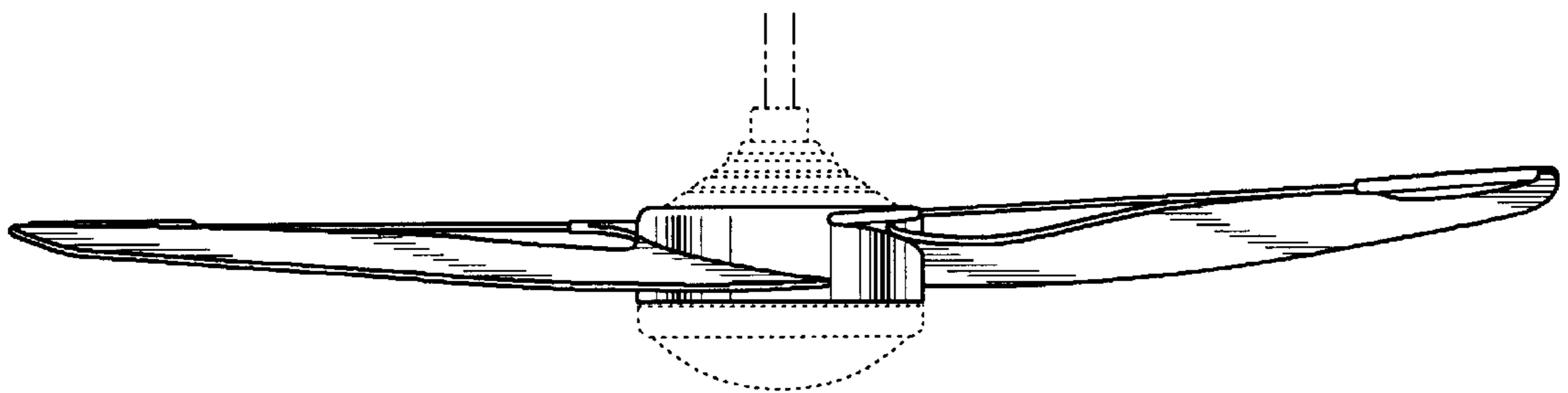


Fig.3

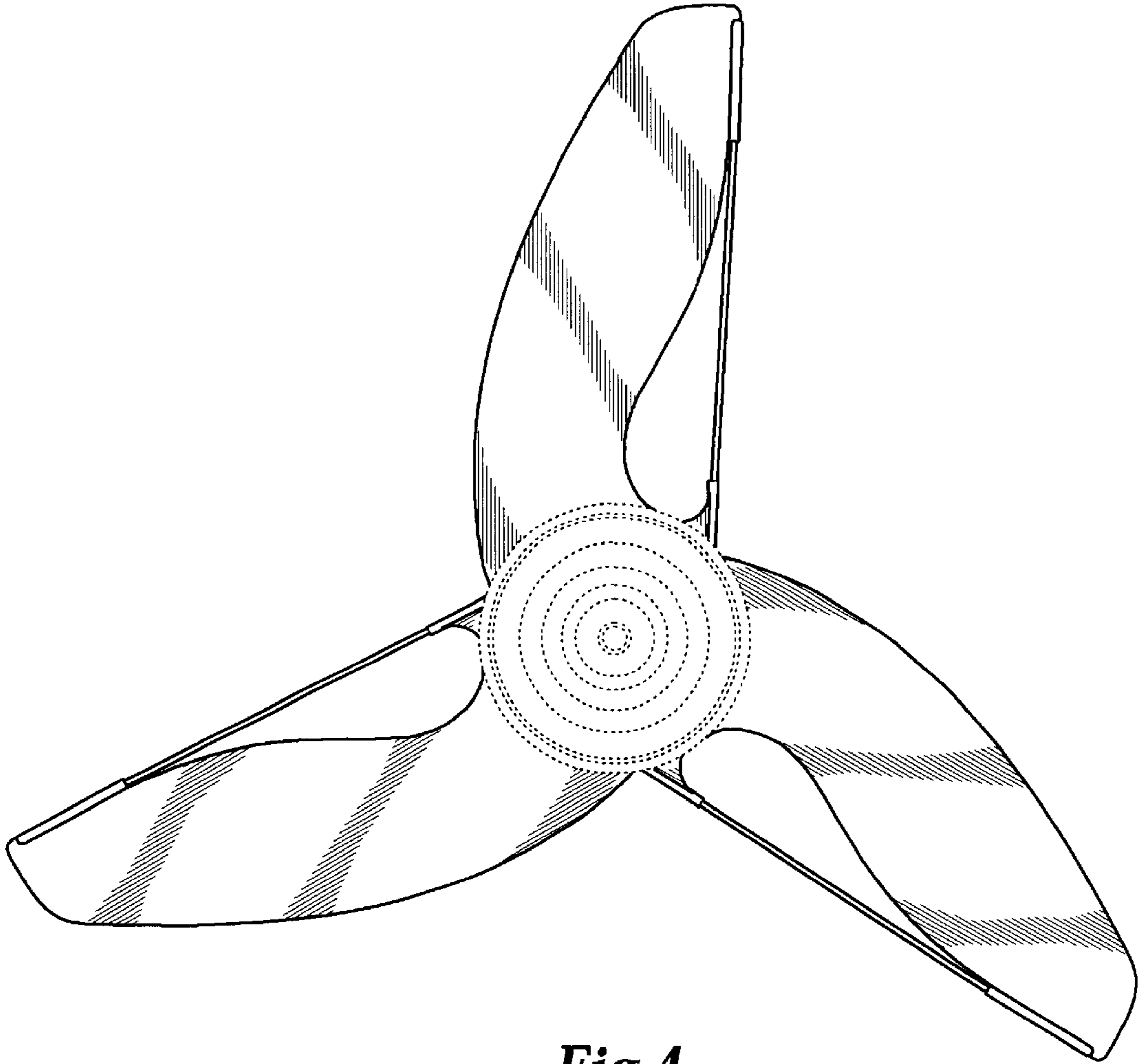


Fig. 4

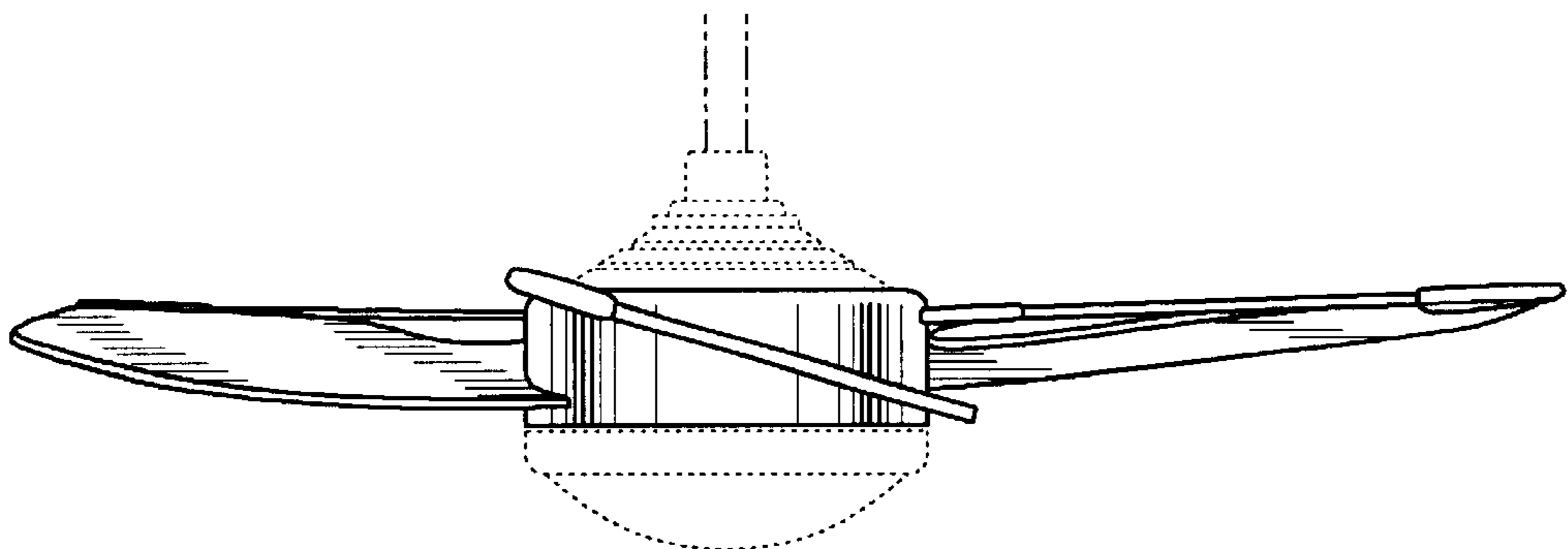


Fig. 5

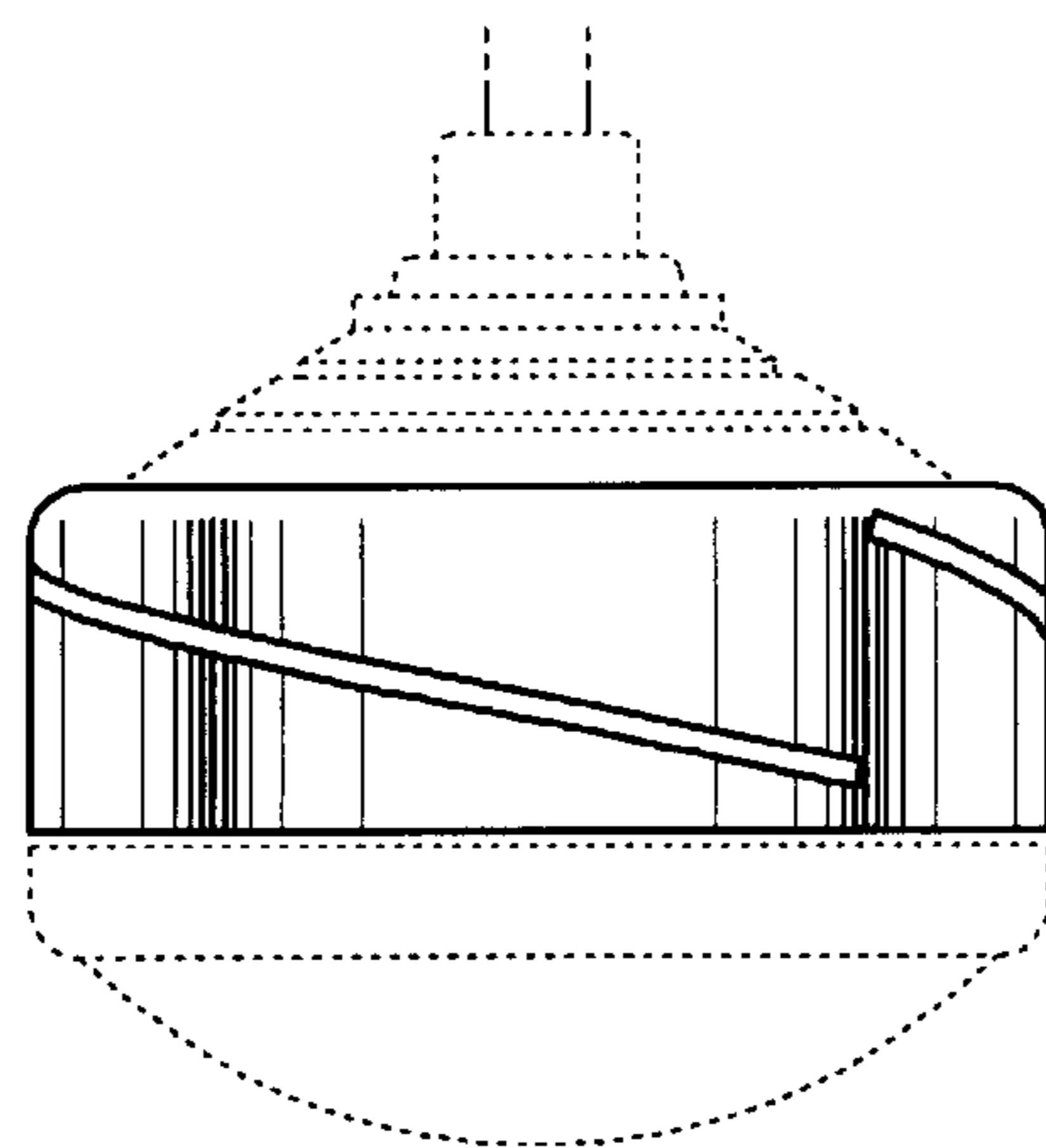
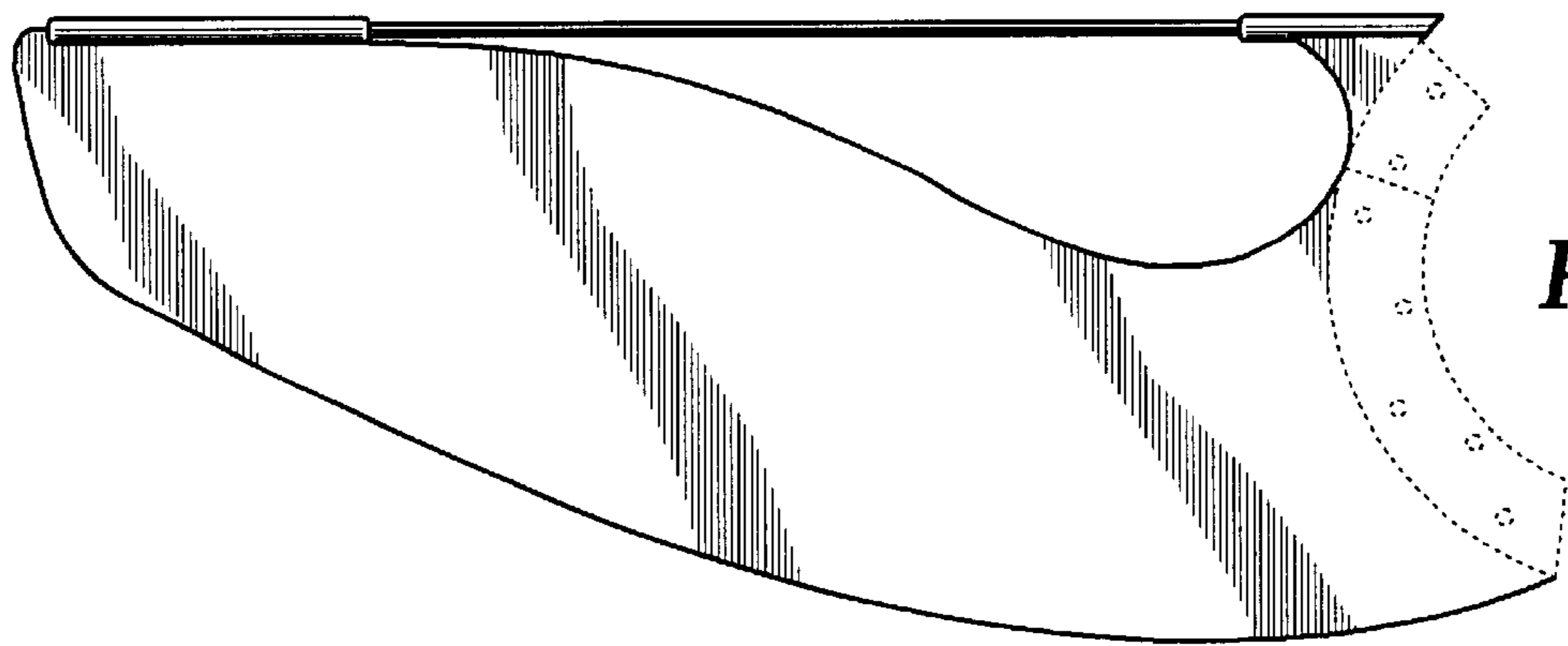
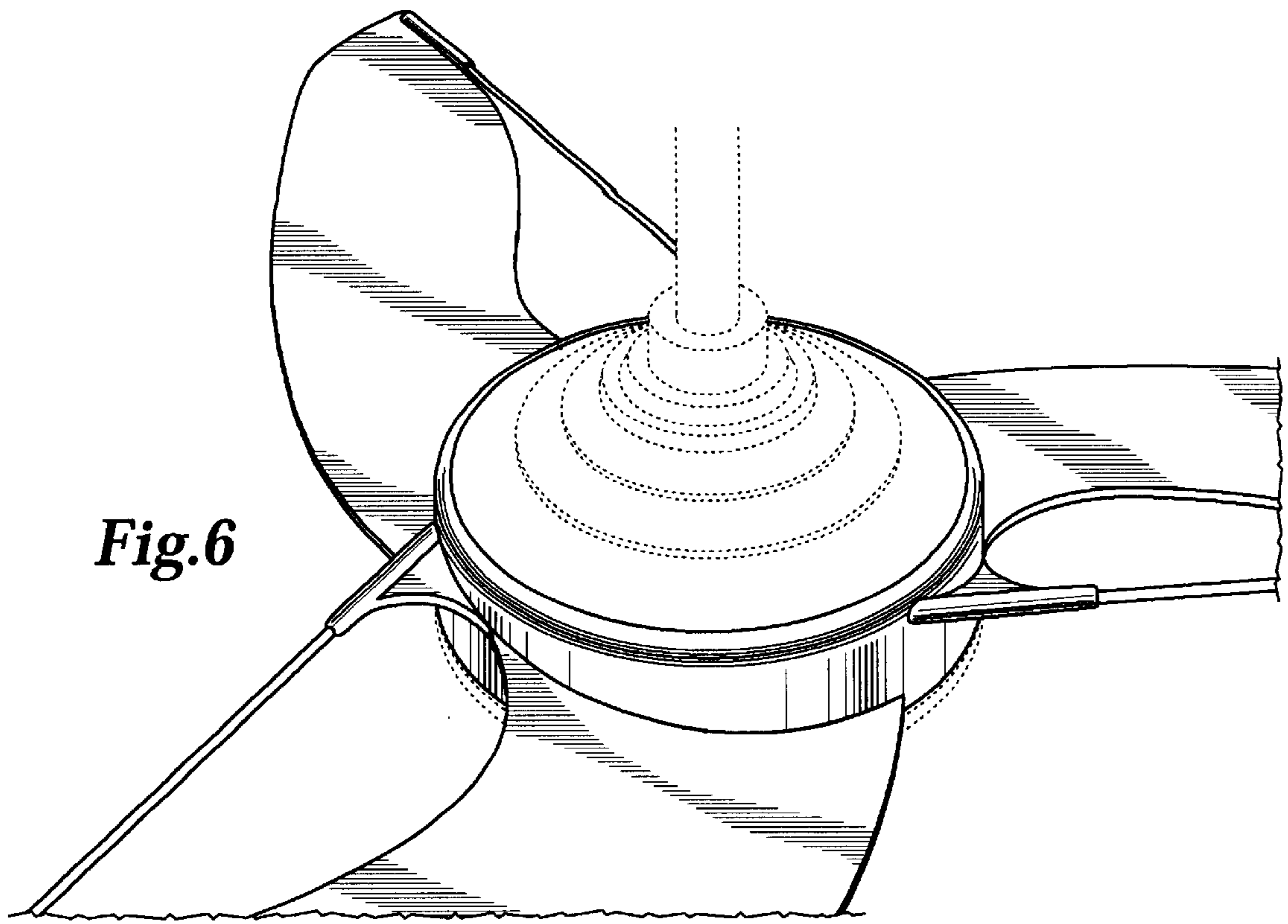


Fig. 6

Fig. 7

Fig. 8