



US00D483473S

(12) **United States Design Patent**
Shapiro

(10) **Patent No.:** **US D483,473 S**

(45) **Date of Patent:** **** Dec. 9, 2003**

(54) **CIRCULAR FAN GRILL**

D444,871 S * 7/2001 Wilson, Jr. D23/382
D459,467 S * 6/2002 Wilson, Jr. D23/412

(75) Inventor: **Barry Shapiro**, Doylestown, PA (US)

* cited by examiner

(73) Assignee: **Lasko Holdings, Inc.**, Wilmington, DE (US)

Primary Examiner—Lisa Lichtenstein
(74) *Attorney, Agent, or Firm*—Ratner Prestia

(**) Term: **14 Years**

(57) **CLAIM**

(21) Appl. No.: **29/164,415**

The ornamental design for a circular fan grill, as shown and described.

(22) Filed: **Jul. 24, 2002**

DESCRIPTION

(51) **LOC (7) Cl.** **23-04**

(52) **U.S. Cl.** **D23/412**

(58) **Field of Search** D23/412, 381,
D23/382, 1; 416/247 R, 246

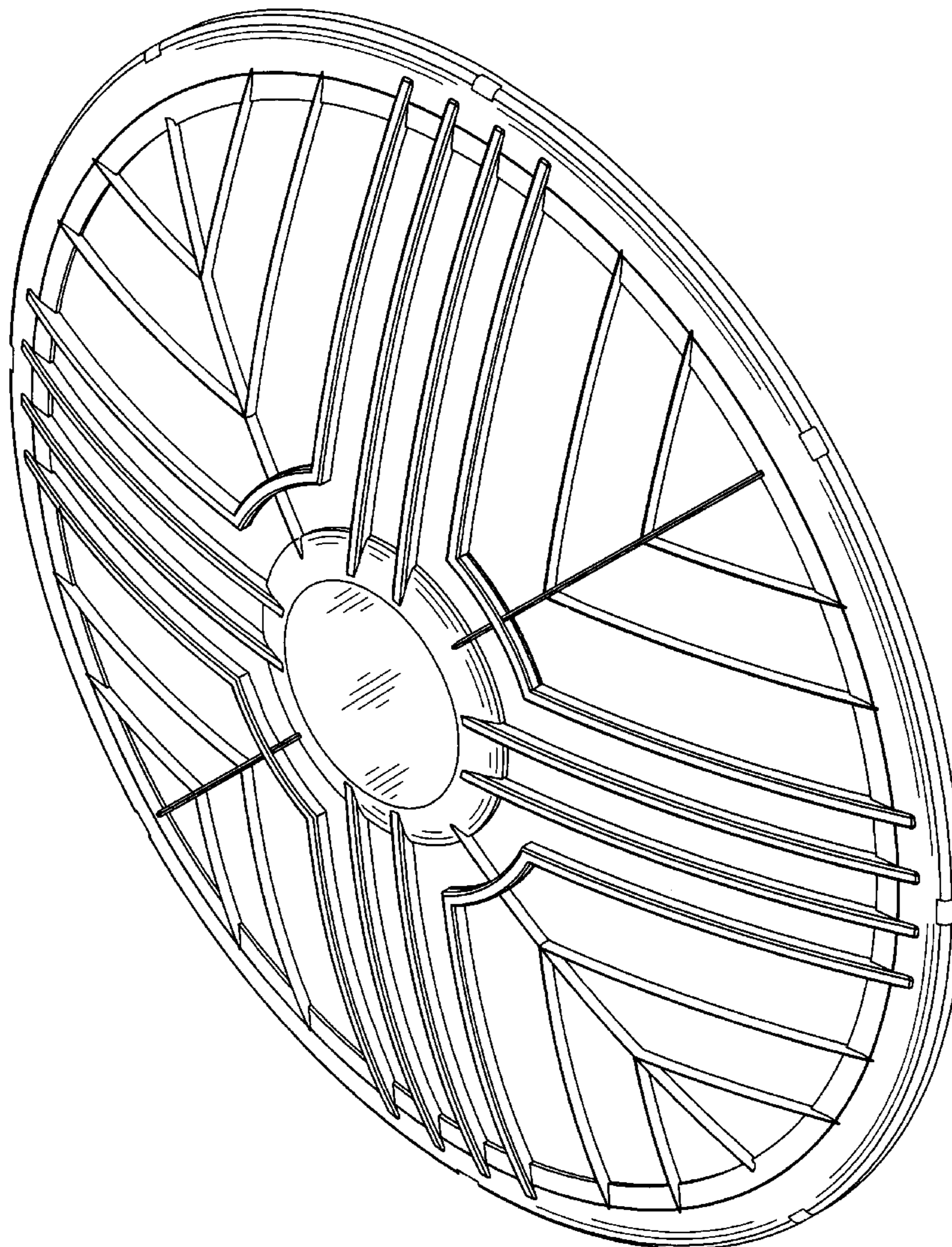
FIG. 1 is a right side perspective view of a circular fan grill showing my new design;
FIG. 2 is a front elevation view thereof;
FIG. 3 is a side elevation view thereof, the opposite side being a mirror image of that shown; and,
FIG. 4 is a rear elevation view thereof.

(56) **References Cited**

U.S. PATENT DOCUMENTS

D395,080 S * 6/1998 Jane et al. D23/382

1 Claim, 3 Drawing Sheets



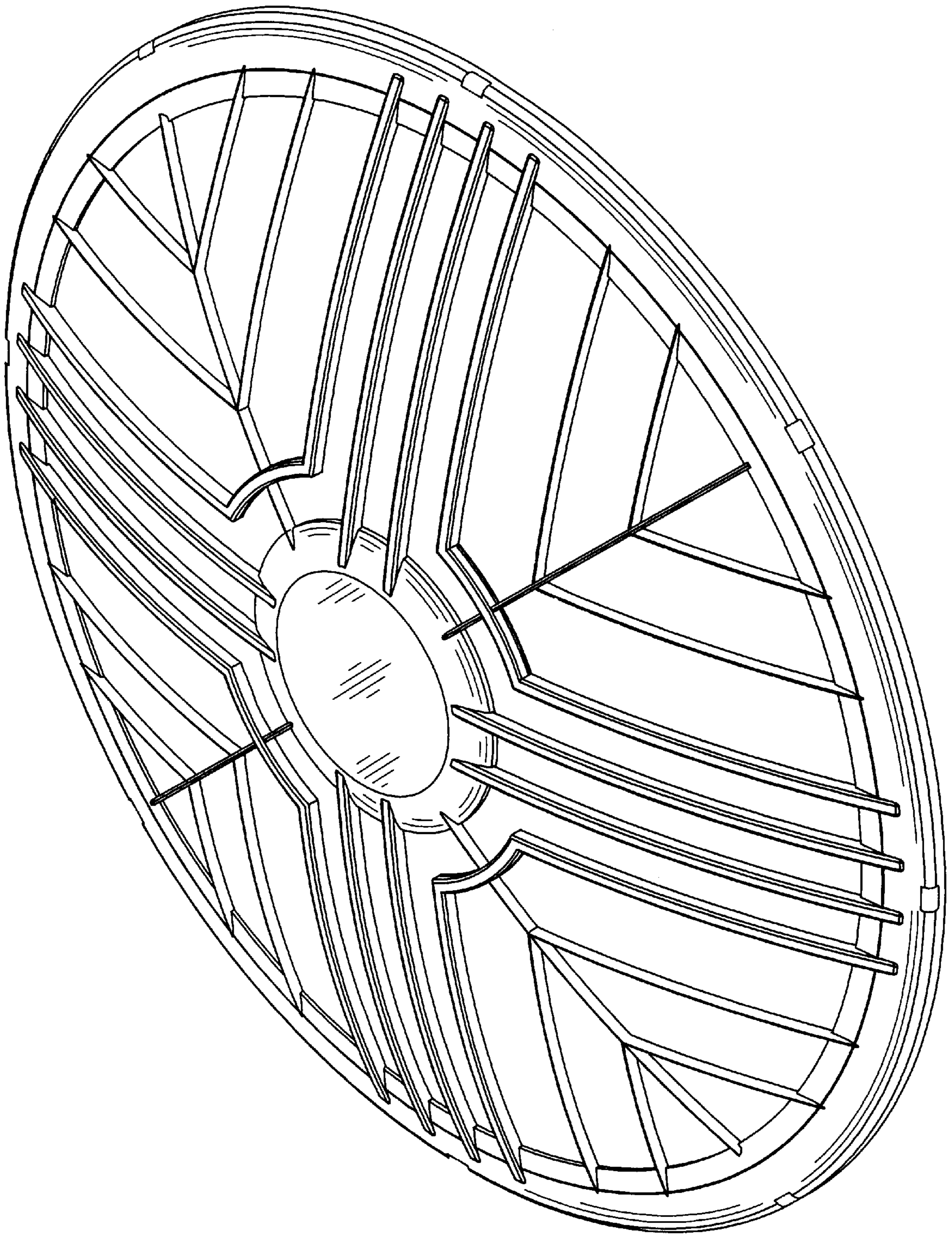


FIG. 1

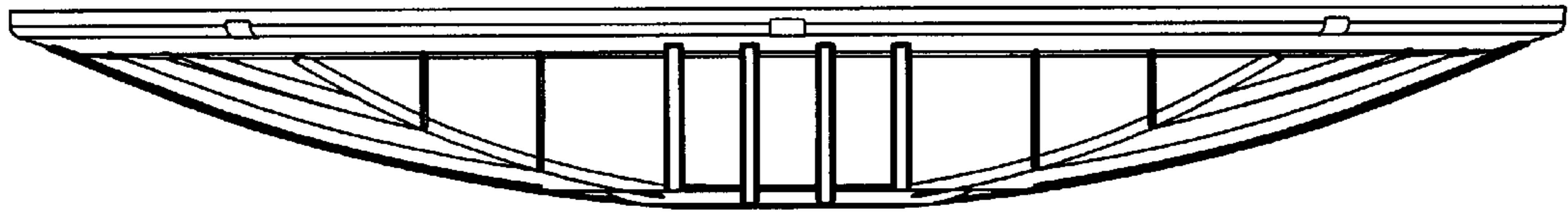


FIG. 3

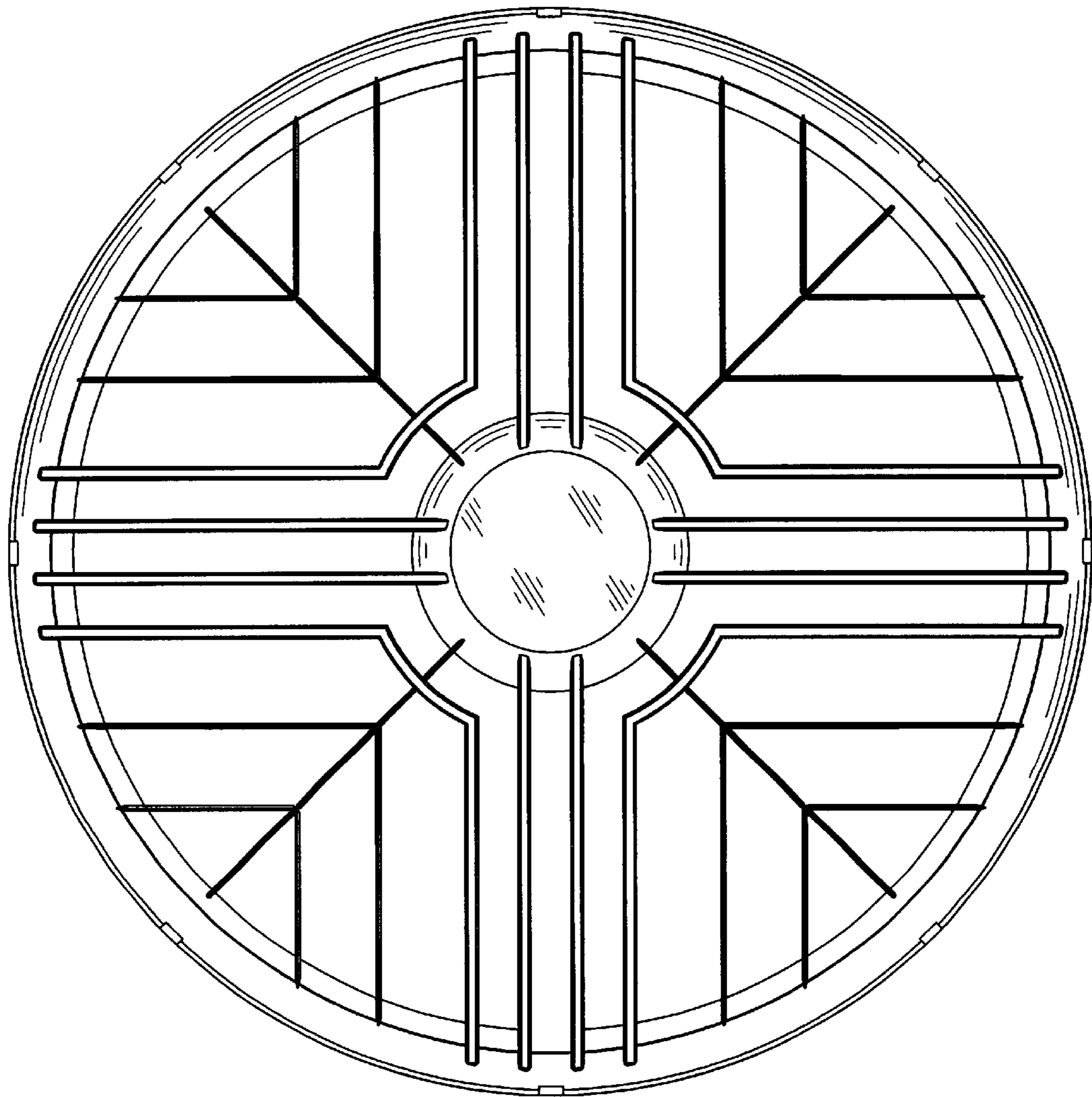


FIG. 2

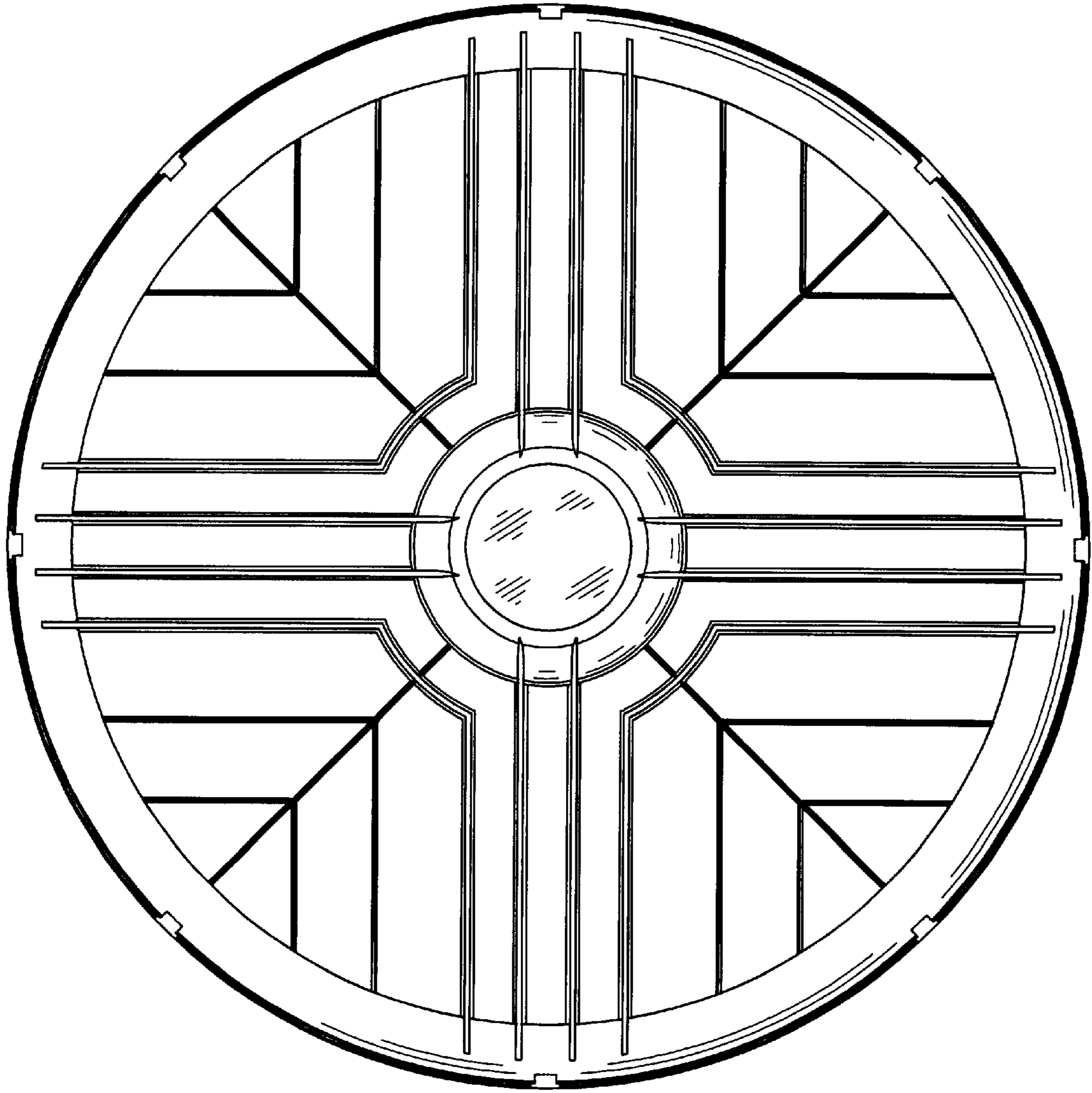


FIG. 4