



US00D483469S

(12) **United States Design Patent**  
**Hsia et al.**

(10) **Patent No.:** **US D483,469 S**

(45) **Date of Patent:** **\*\* Dec. 9, 2003**

(54) **CLIP FOR SECURING A HEAT-DISSIPATING MODULE**

6,435,467 B1 \* 8/2002 Lai ..... 248/500  
6,456,493 B1 \* 9/2002 Lee ..... 361/704  
D470,585 S \* 2/2003 Lee ..... D23/411

(75) Inventors: **Chih-Hao Hsia**, Banqiao (TW);  
**Kuo-Cheng Lin**, Taoyuan (TW);  
**Wen-Shi Huang**, Taoyuan (TW)

\* cited by examiner

(73) Assignee: **Delta Electronics Inc.**, Taoyuan Hsien (TW)

*Primary Examiner*—Lisa Lichtenstein  
(74) *Attorney, Agent, or Firm*—Birch, Stewart, Kolasch & Birch, LLP

(\*\*) Term: **14 Years**

(57) **CLAIM**

(21) Appl. No.: **29/171,548**

The ornamental design for clip for securing a heat-dissipating module, as shown and described herein.

(22) Filed: **Nov. 25, 2002**

**DESCRIPTION**

(30) **Foreign Application Priority Data**

Sep. 13, 2002 (TW) ..... 91305156

FIG. 1 is a perspective view of clip for securing a heat-dissipating module showing our new design;

(51) **LOC (7) Cl.** ..... **23-04**

FIG. 2 is a right side view thereof;

(52) **U.S. Cl.** ..... **D23/411**

FIG. 3 is a top view thereof;

(58) **Field of Search** ..... D23/411, 370,  
D23/379; 248/500, 505, 694; 361/695,  
697, 707; 257/718, 719, 726; 24/295, 296

FIG. 4 is a front view thereof;

FIG. 5 is a bottom view thereof;

FIG. 6 is a left side view thereof; and,

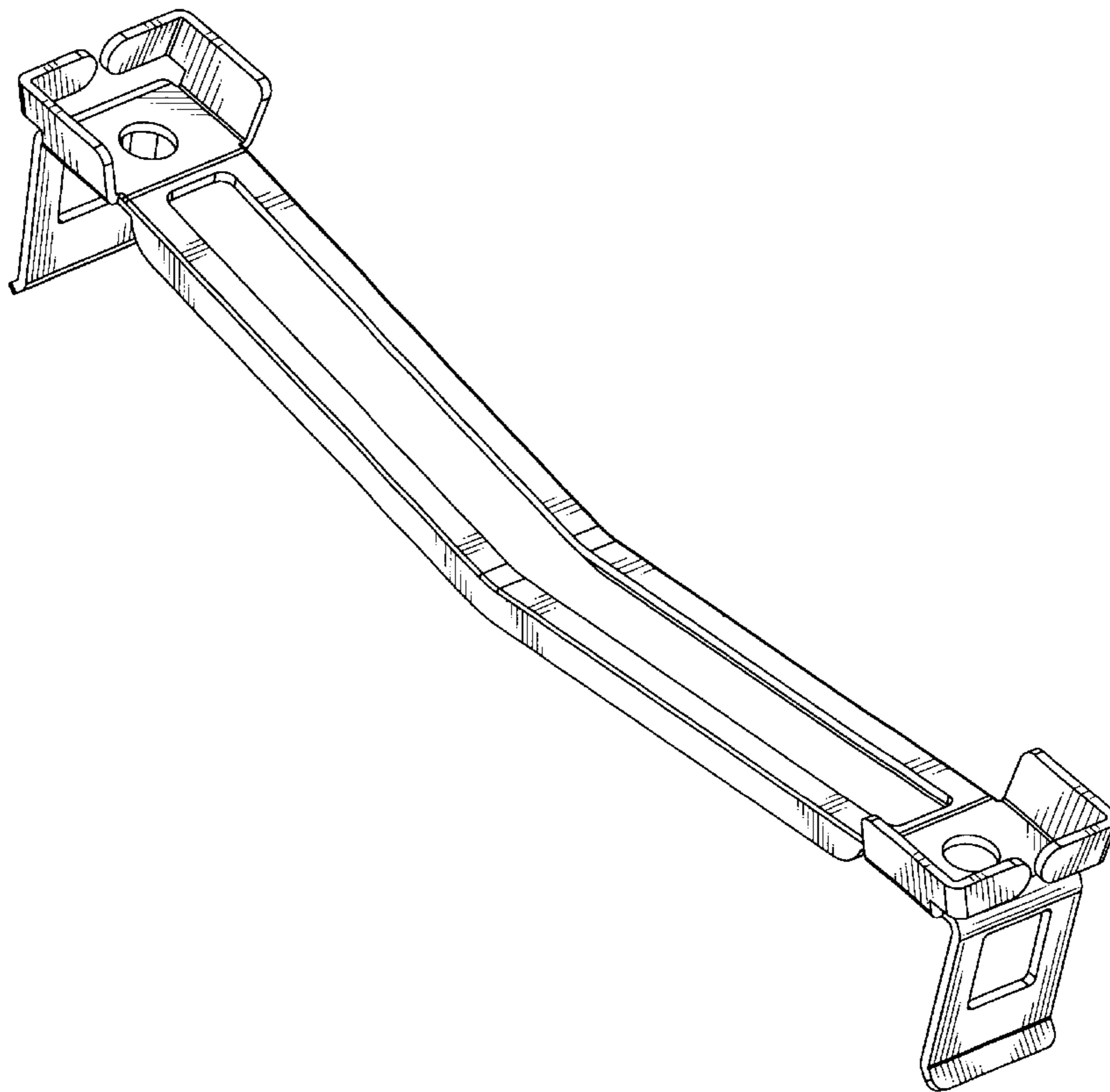
FIG. 7 is a rear view thereof.

(56) **References Cited**

**U.S. PATENT DOCUMENTS**

D461,238 S \* 8/2002 Horng ..... D23/411

**1 Claim, 7 Drawing Sheets**



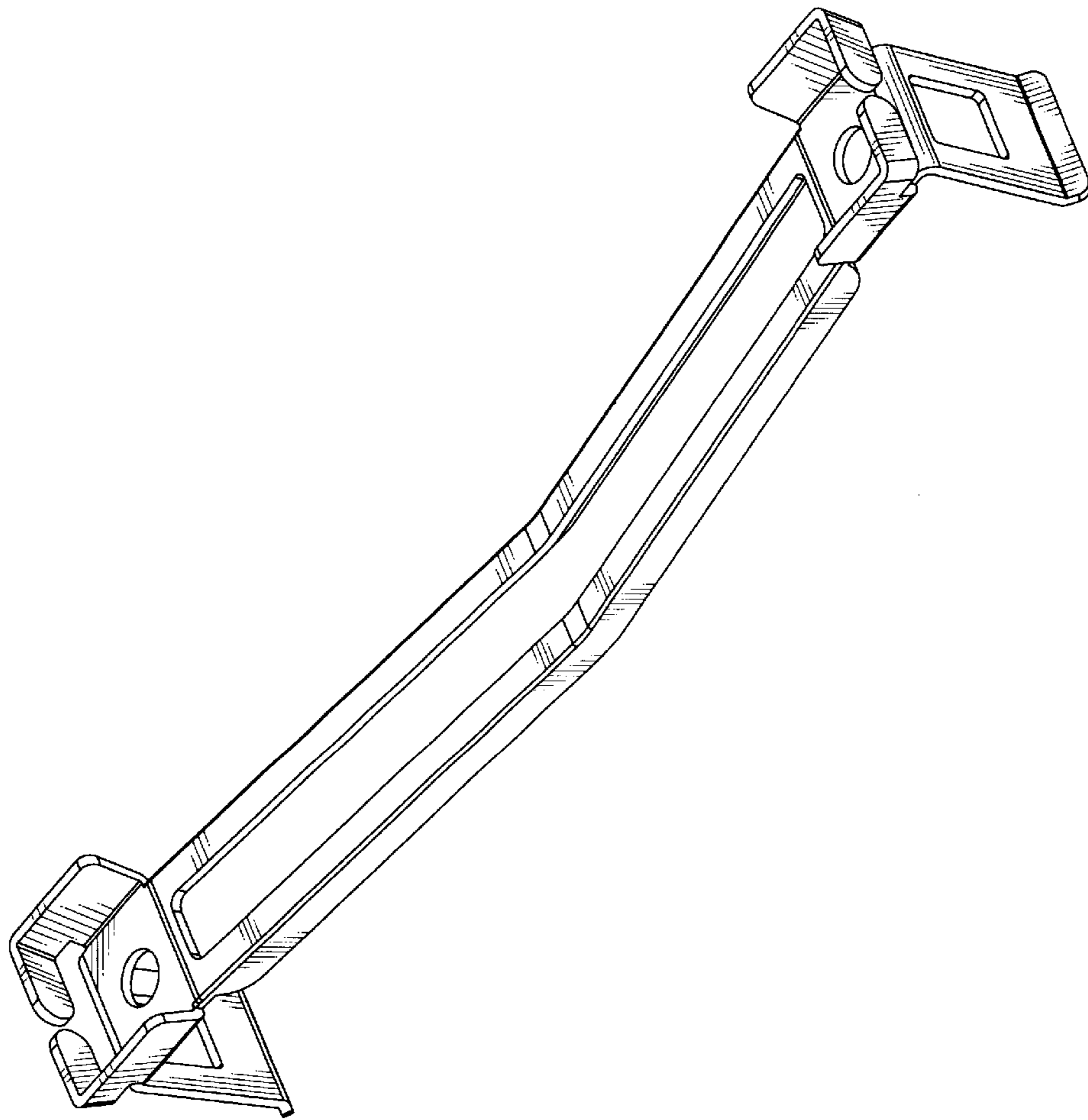


FIG. 1

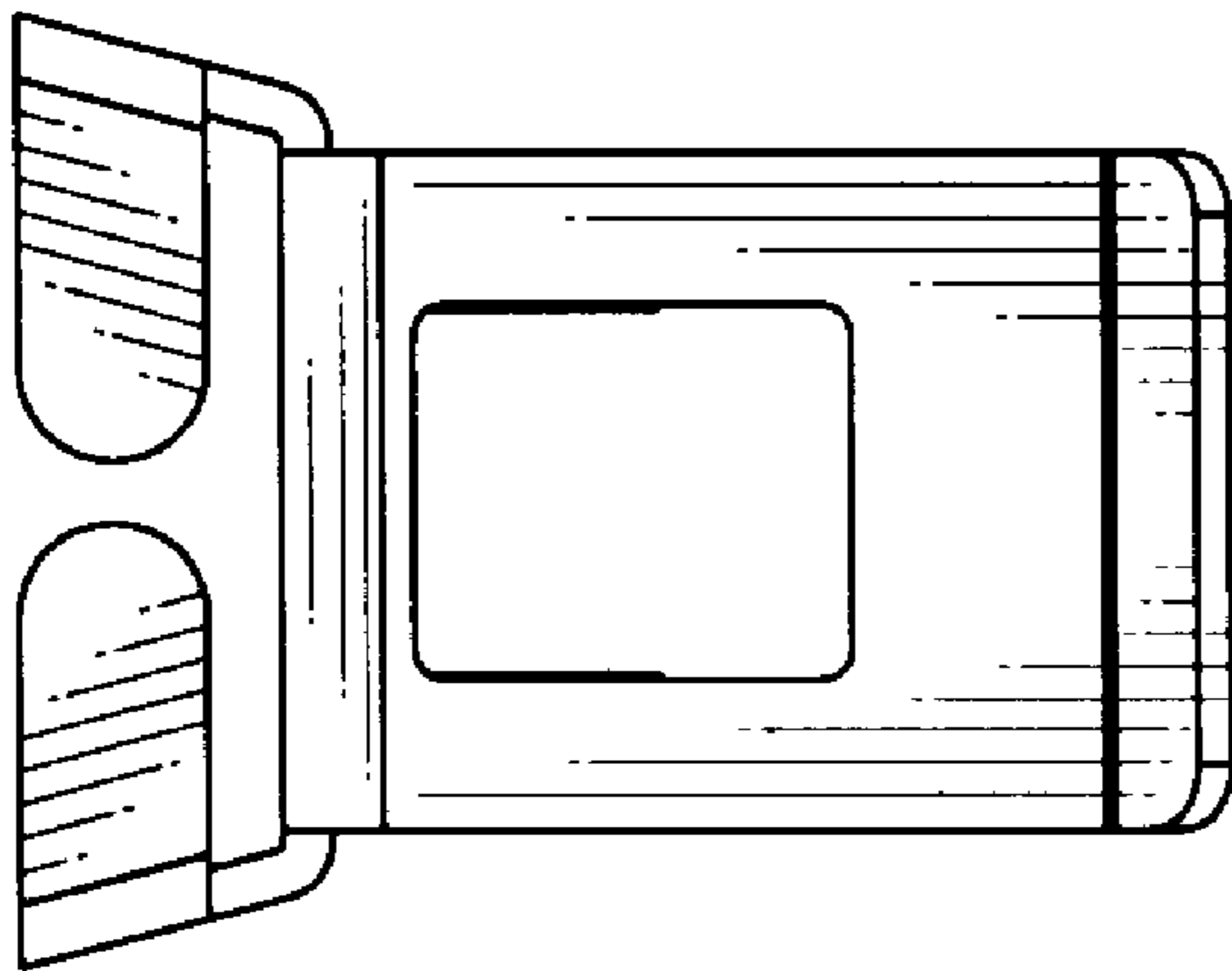


FIG. 2

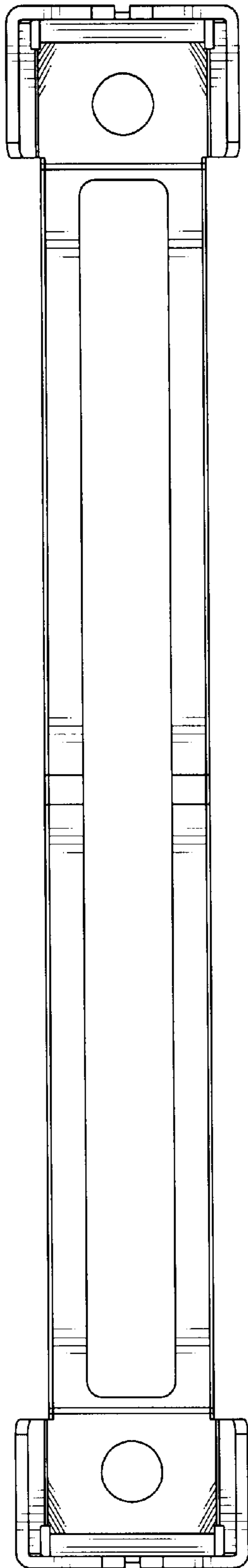


FIG. 3

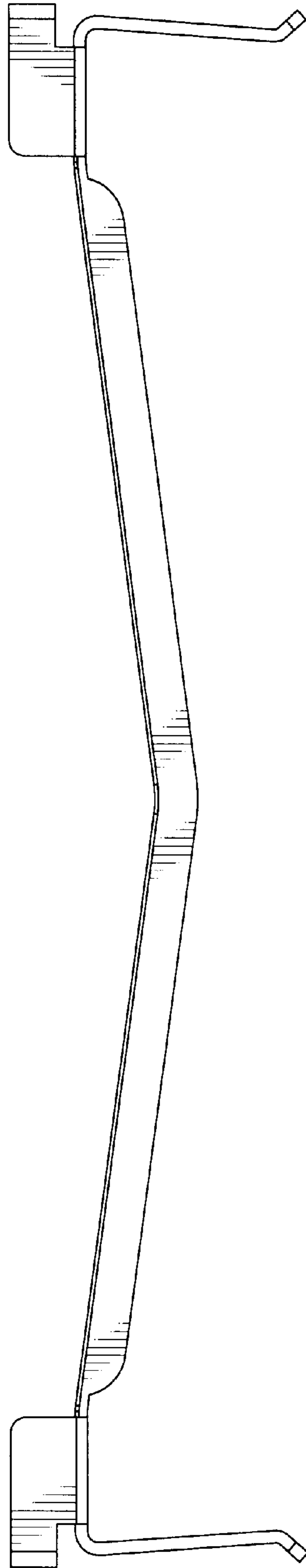


FIG. 4

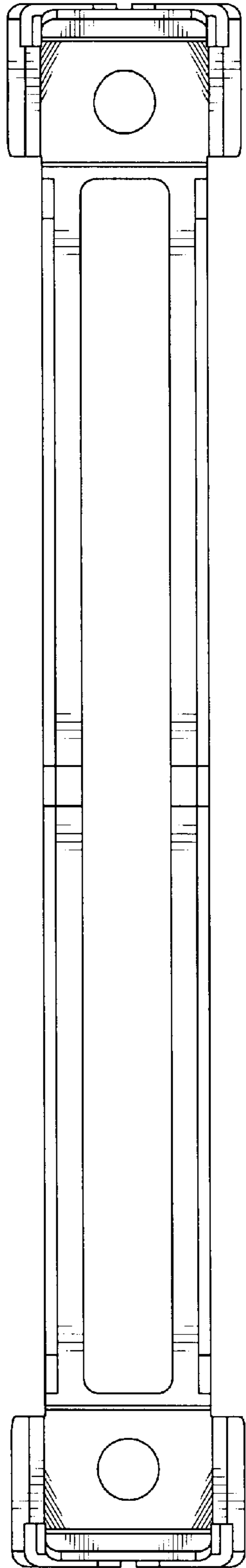


FIG. 5

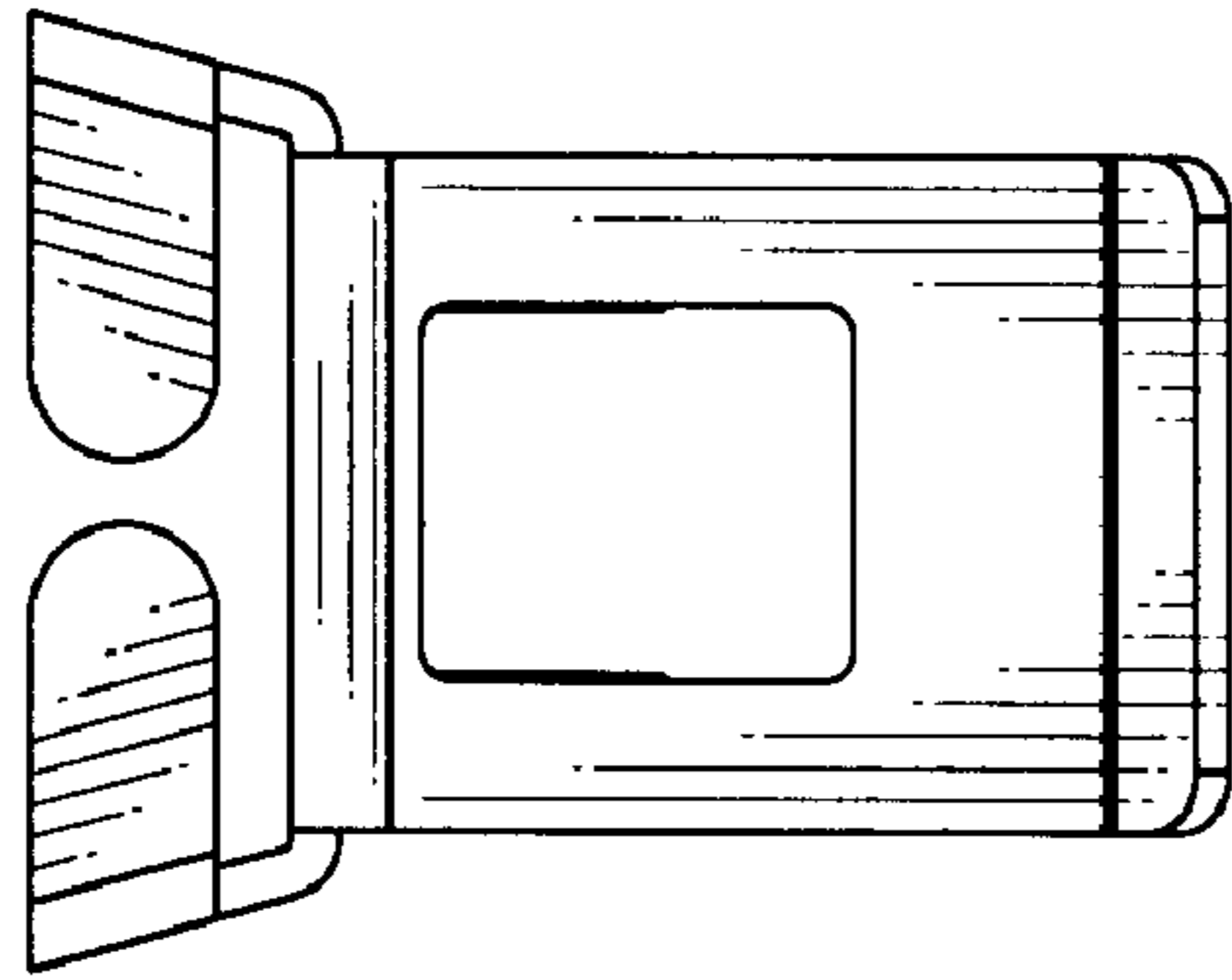


FIG. 6

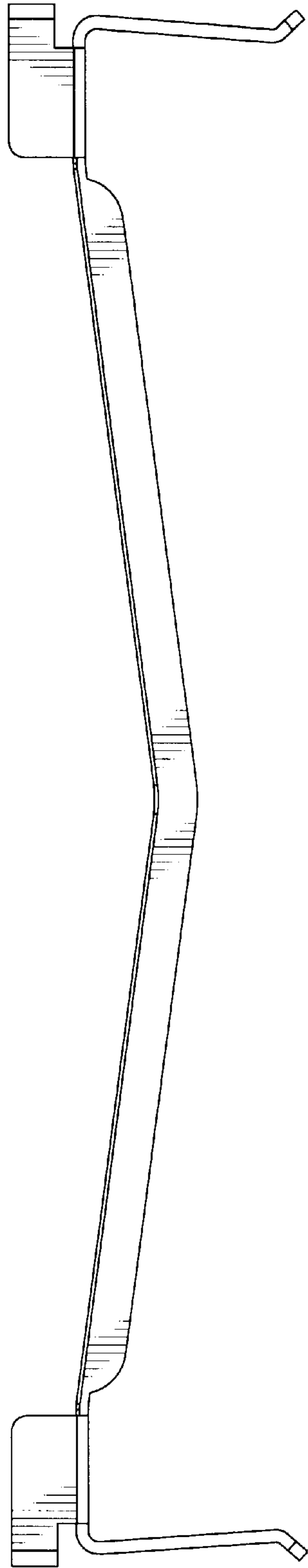


FIG. 7