



US00D483468S

(12) **United States Design Patent**
Wong

(10) **Patent No.:** **US D483,468 S**

(45) **Date of Patent:** **** Dec. 9, 2003**

(54) **ELECTRIC FAN**

D391,357 S * 2/1998 Chi D23/382
D426,296 S * 6/2000 Blateri D23/382

(75) Inventor: **Ping Cheung Wong**, Tsuen Wan (CN)

* cited by examiner

(73) Assignee: **IMS International Ltd.**, Tsuen Wan (CN)

Primary Examiner—Lisa Lichtenstein

(**) Term: **14 Years**

(74) *Attorney, Agent, or Firm*—Alix, Yale & Ristas, LLP

(21) Appl. No.: **29/174,298**

(22) Filed: **Jan. 15, 2003**

(57) **CLAIM**

The ornamental design for an electric fan, as shown and described.

(30) **Foreign Application Priority Data**

DESCRIPTION

Jul. 16, 2002 (CN) 02 3 32153

FIG. 1 is a front view of the electric fan showing my new design;

(51) **LOC (7) Cl.** **23-04**

FIG. 2 is a rear view of the electric fan of FIG. 1;

(52) **U.S. Cl.** **D23/382**

FIG. 3 is a left side view of the electric fan of FIG. 1;

(58) **Field of Search** D23/382, 381,
D23/332; 416/246, 247 R

FIG. 4 is a right side view of the electric fan of FIG. 1;

FIG. 5 is a top plan view of the electric fan of FIG. 1; and,

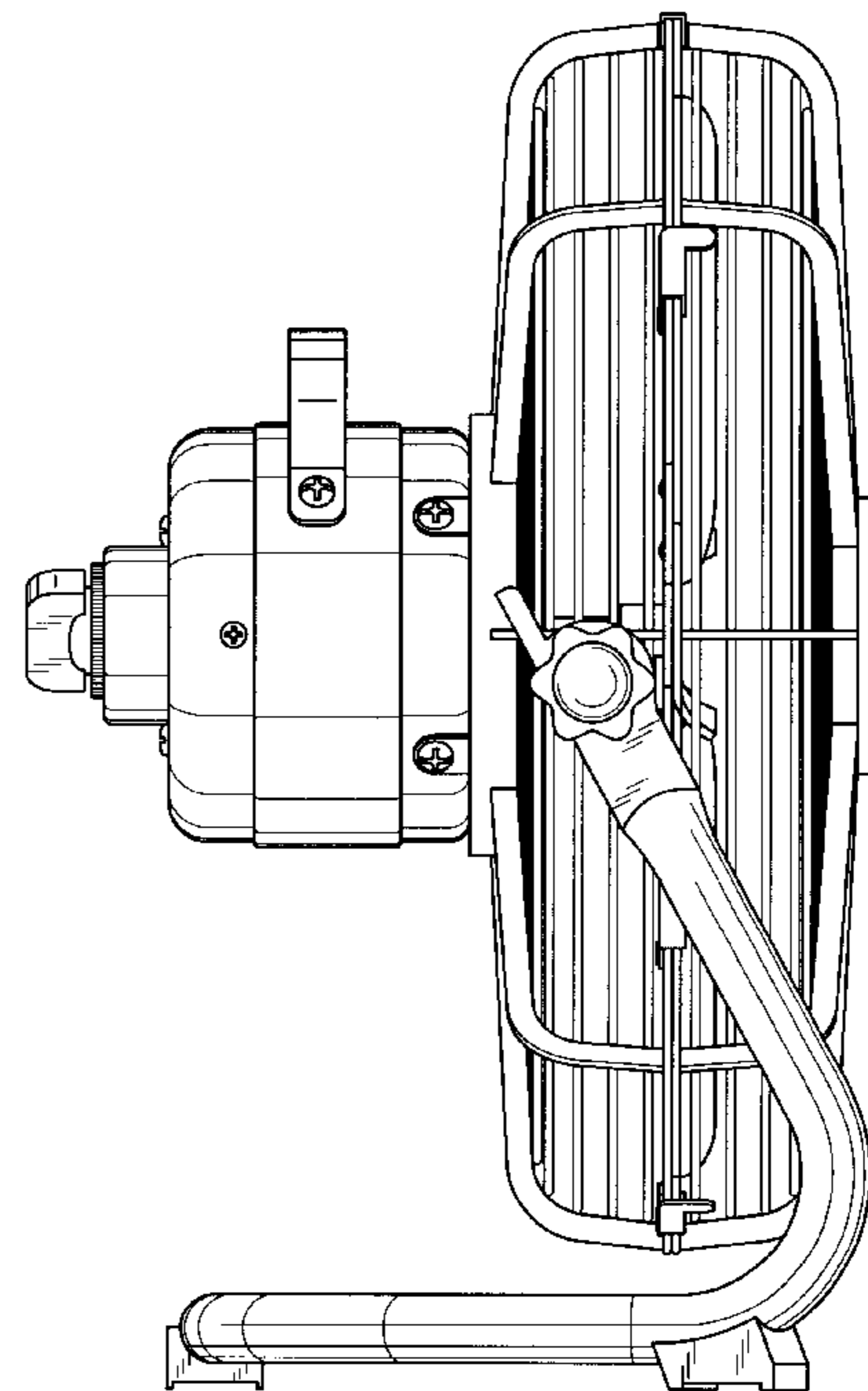
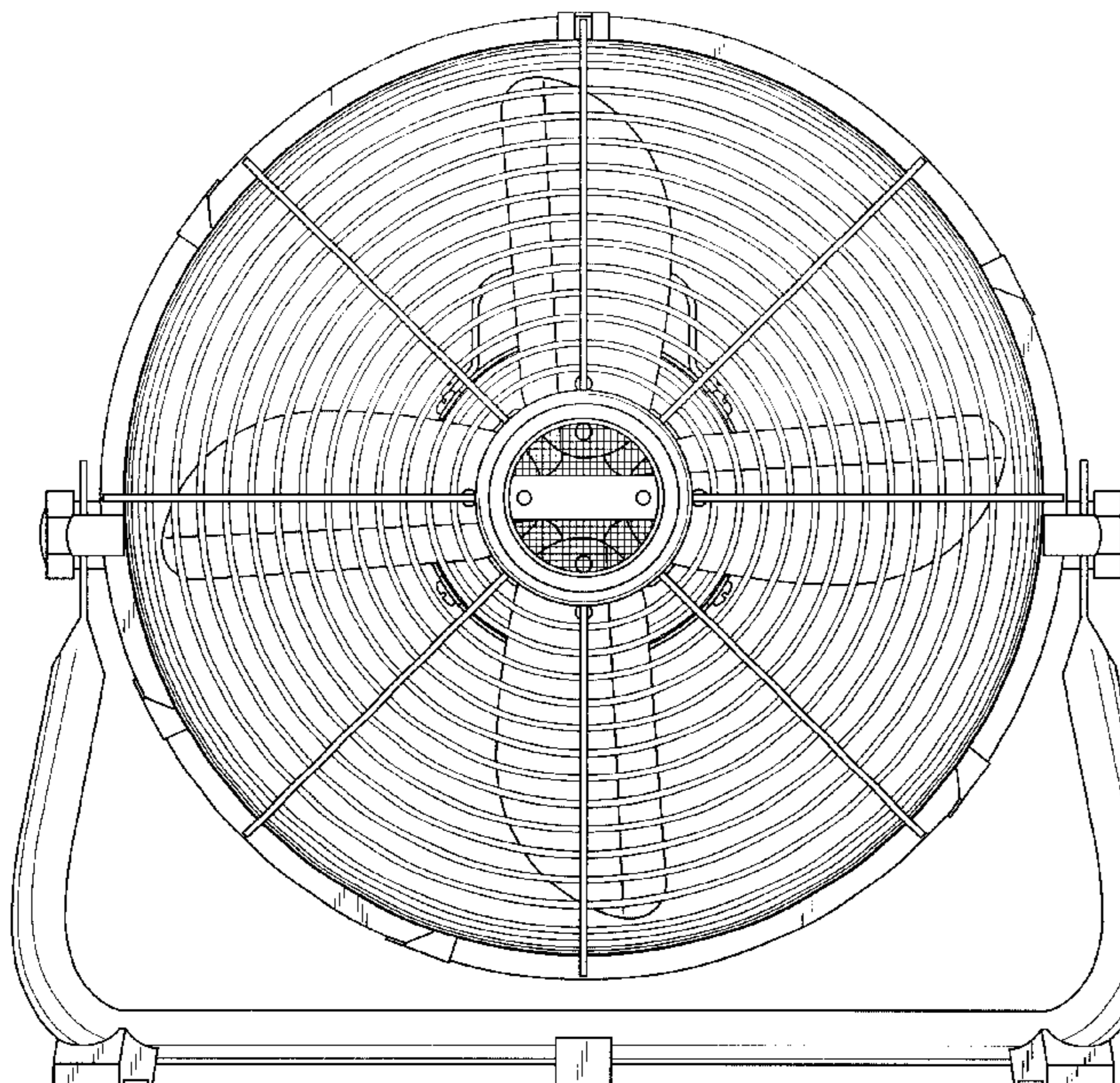
FIG. 6 is a bottom plan view of the electric fan of FIG. 1.

(56) **References Cited**

U.S. PATENT DOCUMENTS

5,295,811 A * 3/1994 Chiu 417/423.15

1 Claim, 6 Drawing Sheets



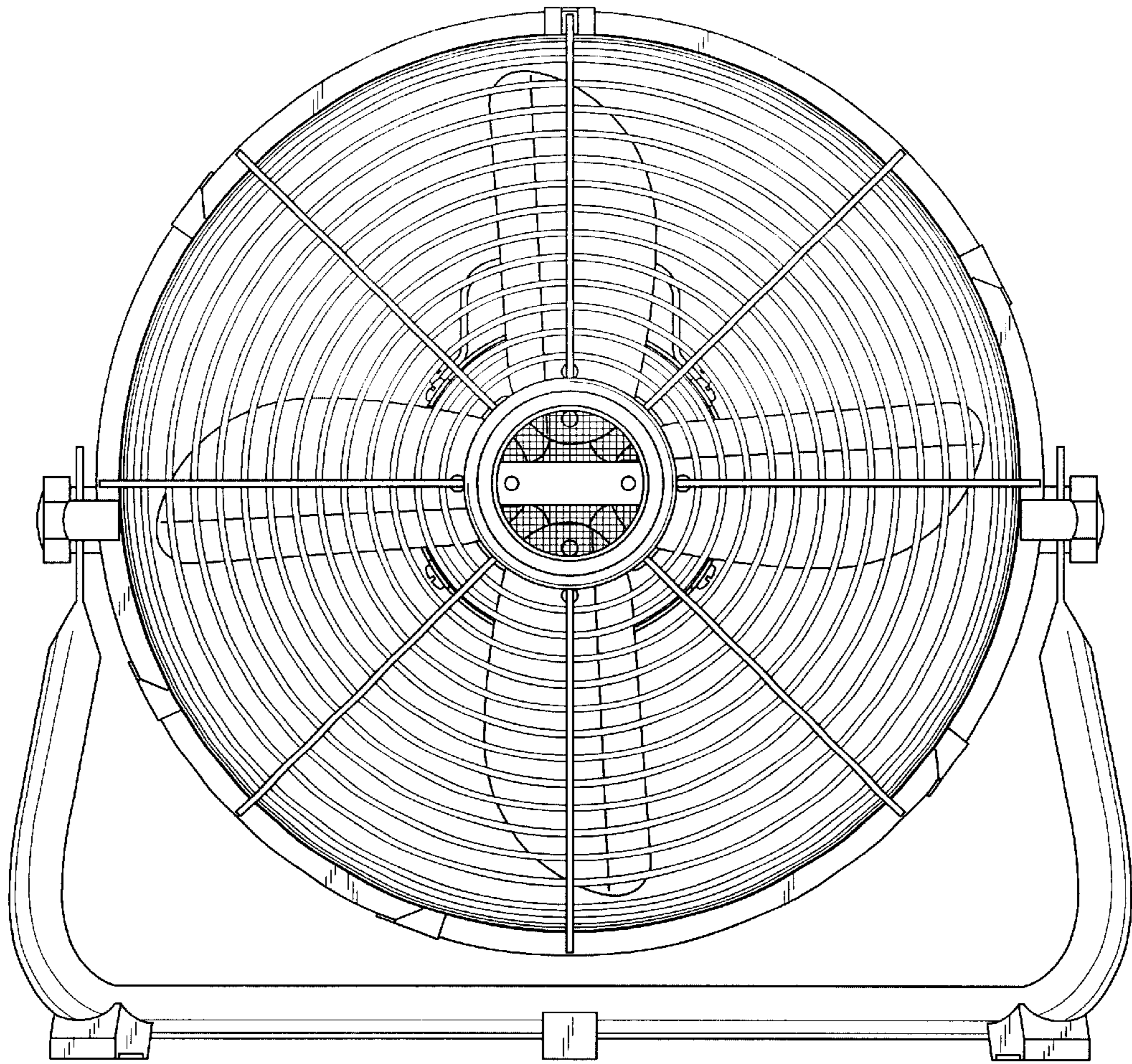


FIG. 1

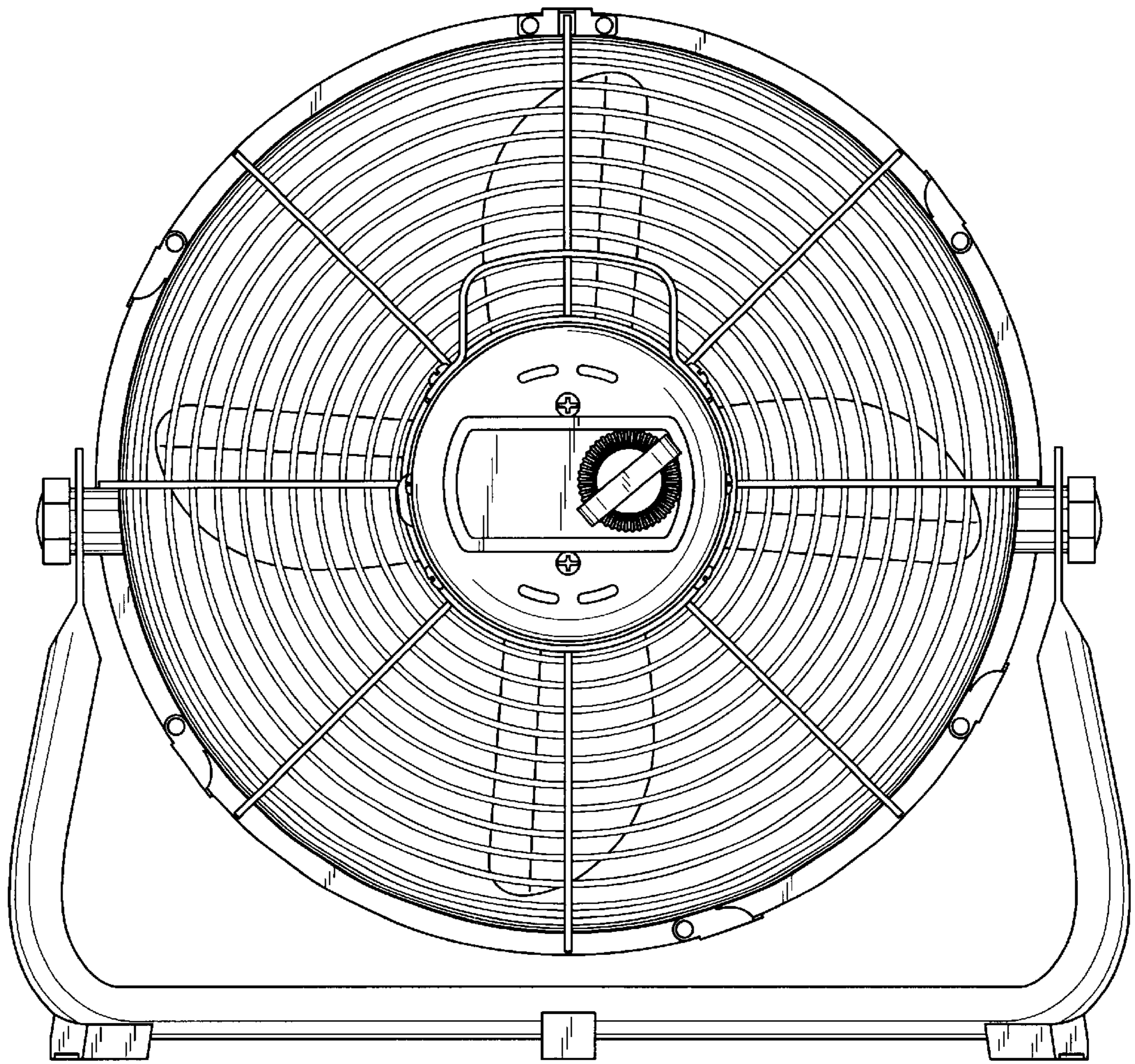


FIG. 2

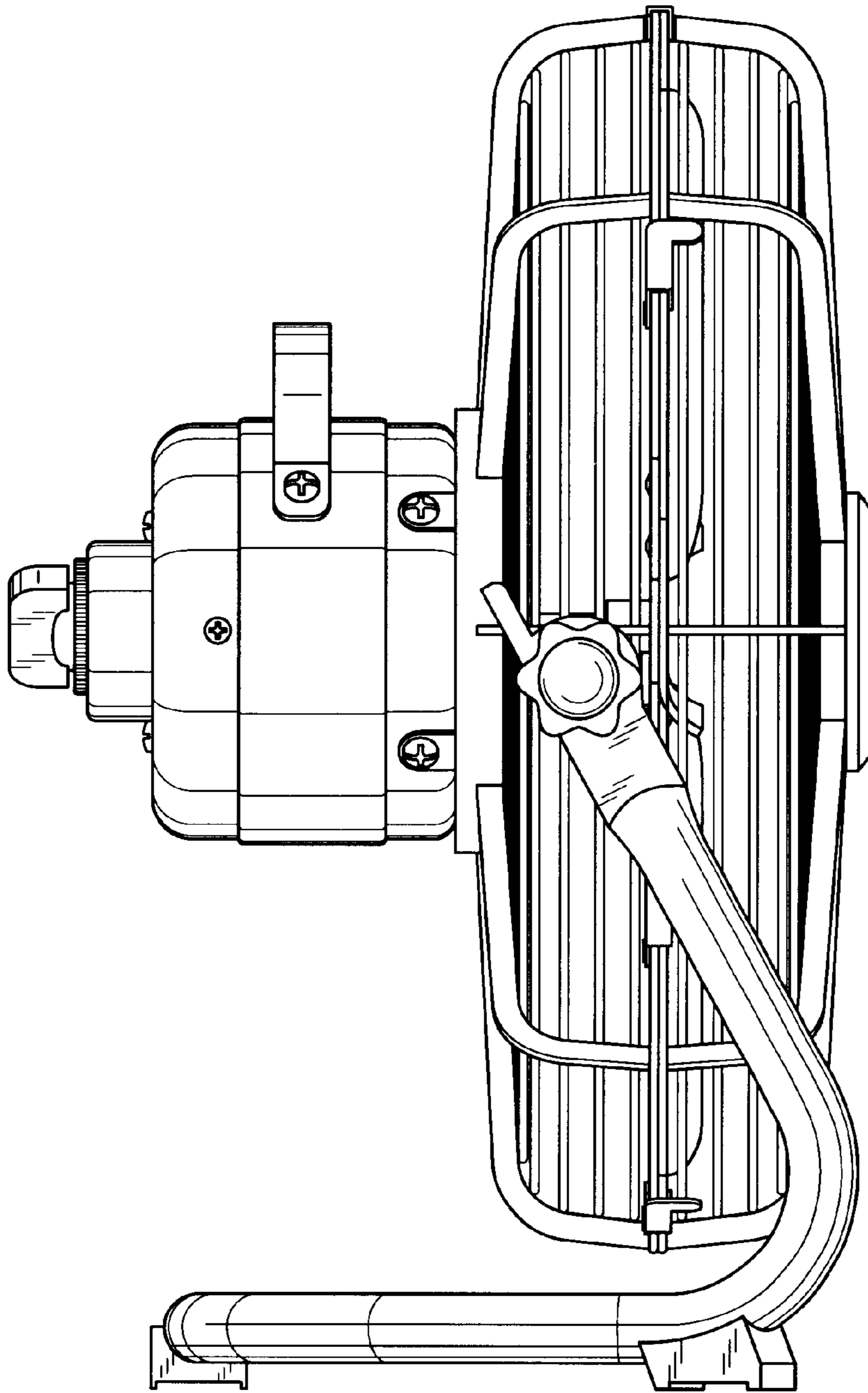


FIG. 3

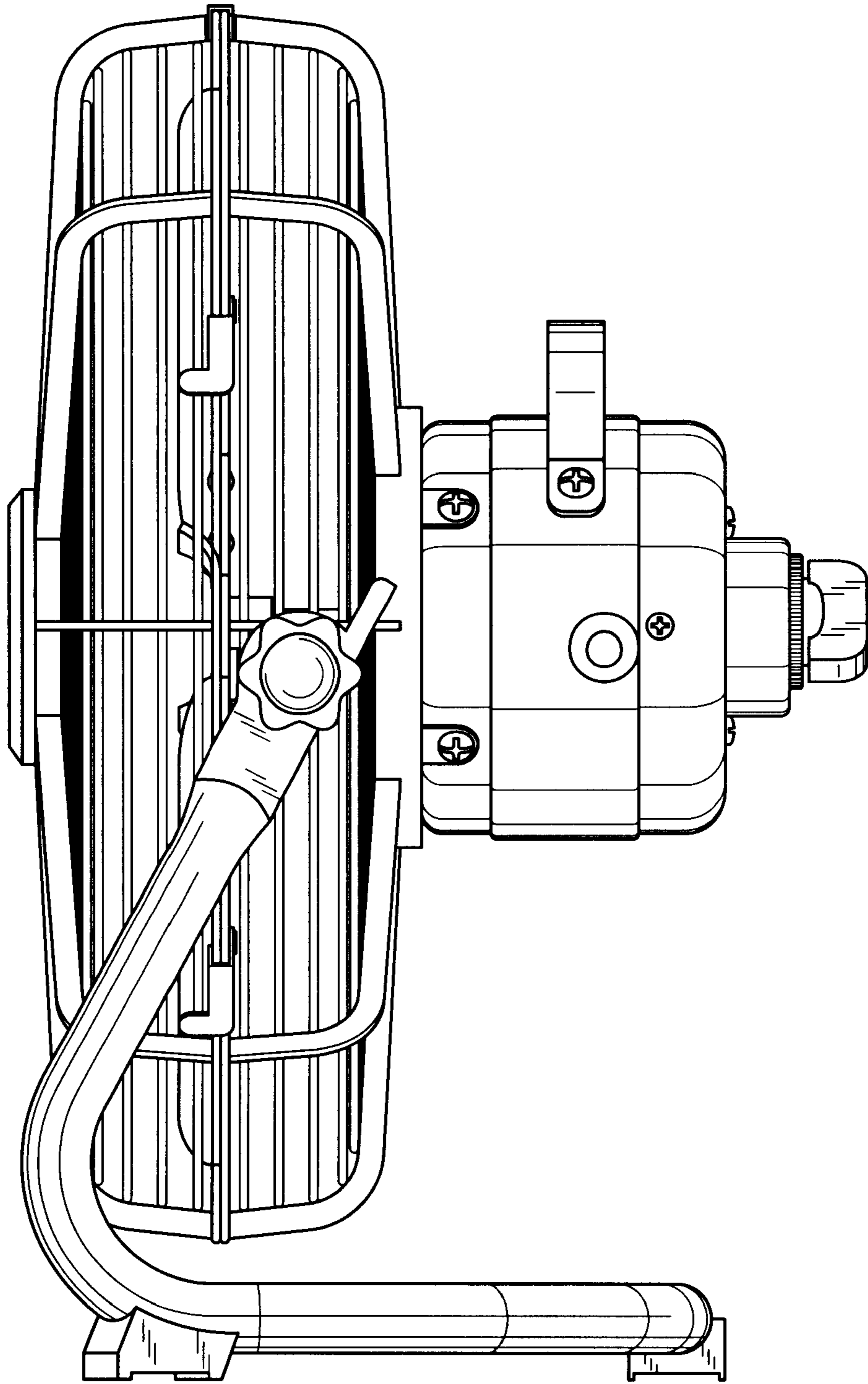


FIG. 4

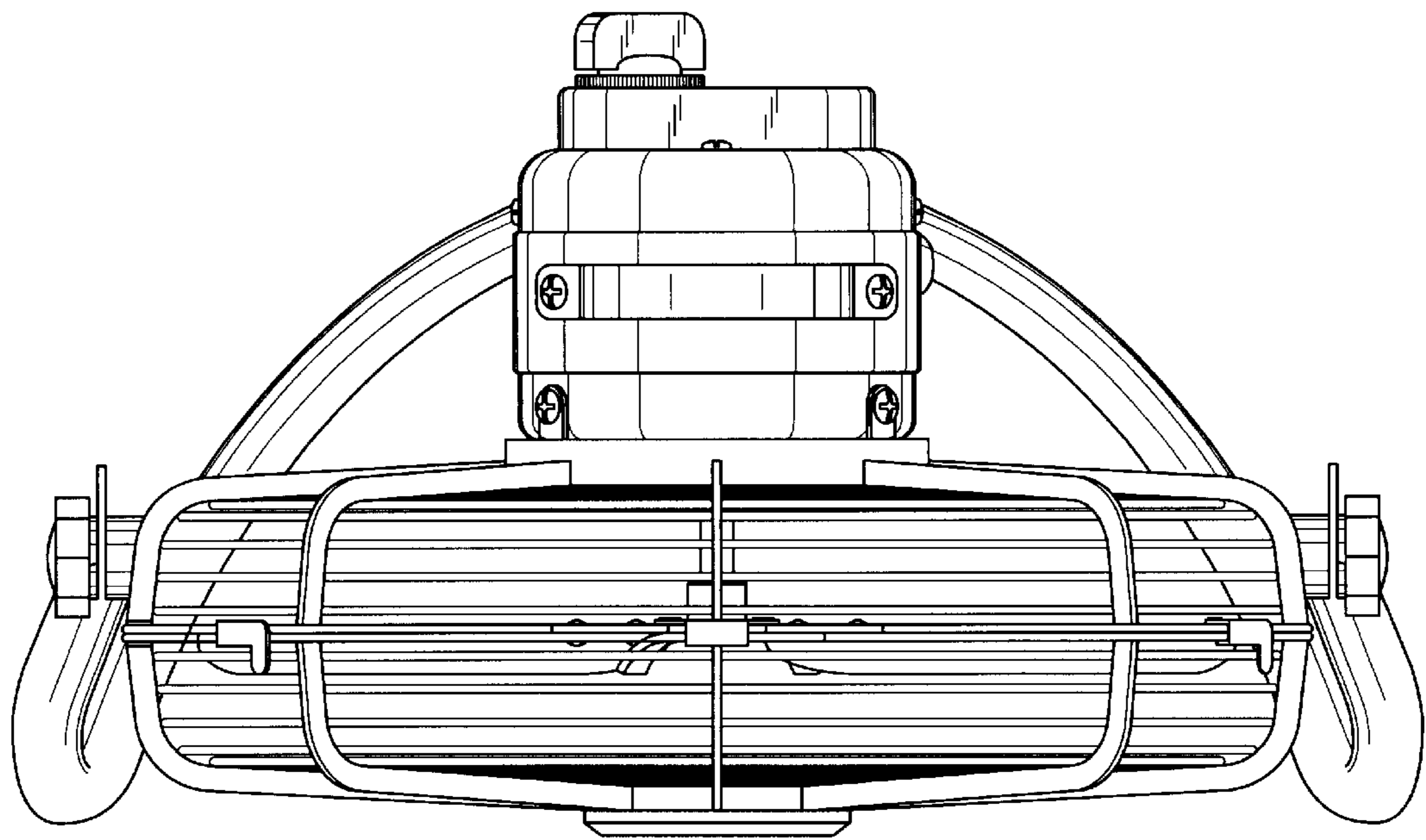


FIG. 5

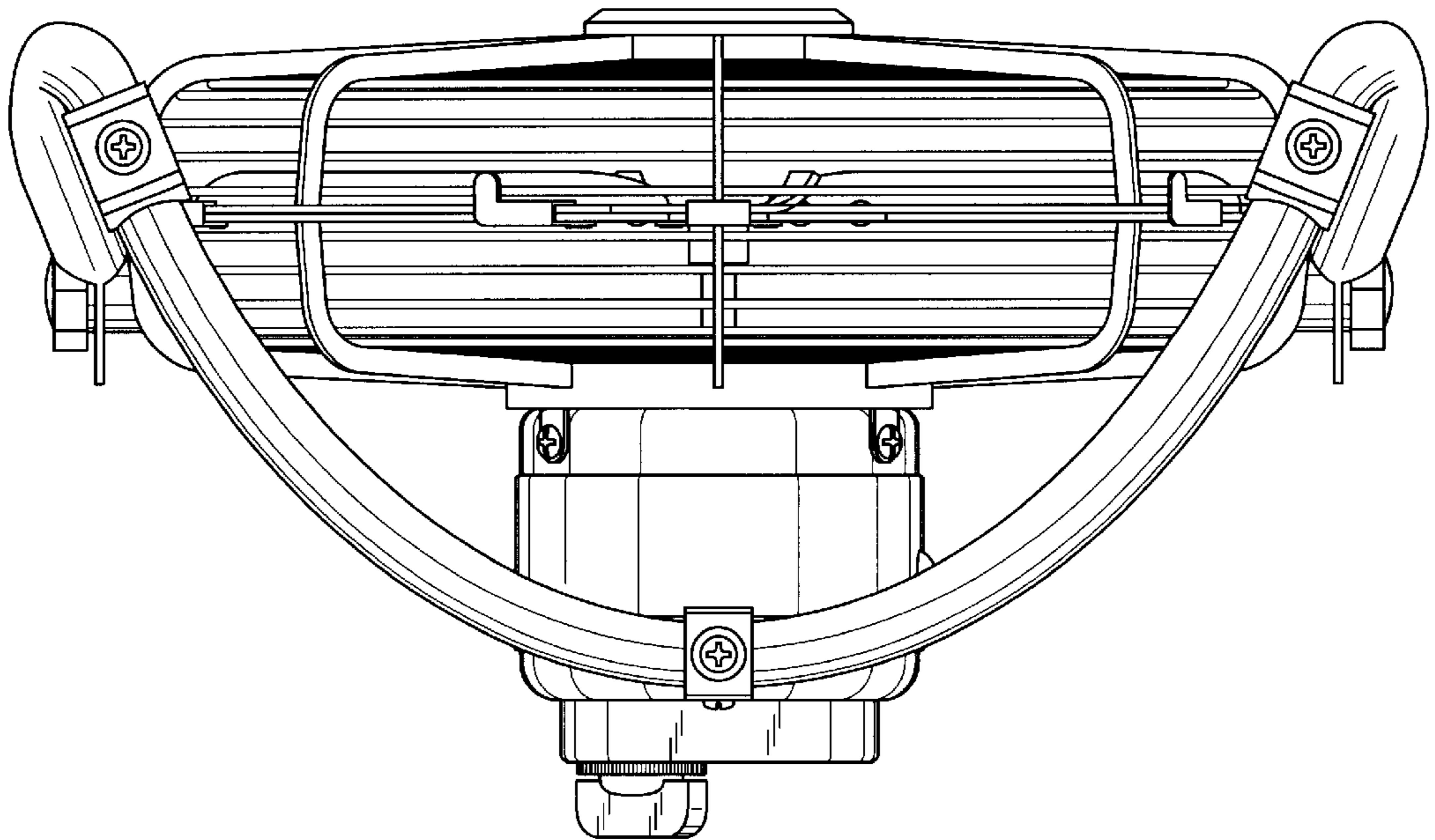


FIG. 6