



US00D483465S

(12) **United States Design Patent**
Tai

(10) **Patent No.:** **US D483,465 S**

(45) **Date of Patent:** **** Dec. 9, 2003**

(54) **COMBINED CEILING FAN AND LIGHT
FIXTURE**

D452,307 S * 12/2001 Dolan D23/411

* cited by examiner

(76) Inventor: **Jen-Lung David Tai**, 19507 N. 65th
Ave., Glendale, AZ (US) 85308

Primary Examiner—Lisa Lichtenstein

(74) *Attorney, Agent, or Firm*—Parsons & Goltry; Michael
W. Goltry; Robert A Parsons

(**) Term: **14 Years**

(57) **CLAIM**

(21) Appl. No.: **29/177,146**

The ornamental design for a combined ceiling fan and light
fixture, as shown and described.

(22) Filed: **Mar. 4, 2003**

(51) **LOC (7) Cl.** **23-04**

DESCRIPTION

(52) **U.S. Cl.** **D23/377; D26/59**

(58) **Field of Search** D23/377, 379,
D23/385, 411, 413; 416/5; 392/364; 362/96;
D26/59, 57, 81-86, 88

FIG. 1 is a perspective view of a combined ceiling fan and
light fixture showing my new design;
FIG. 2 is a front elevation view thereof, the side views being
substantially identical except for the position of the blades;
FIG. 3 is a top plan view thereof;
FIG. 4 is a rear elevation view thereof; and,
FIG. 5 is a bottom plan view thereof.

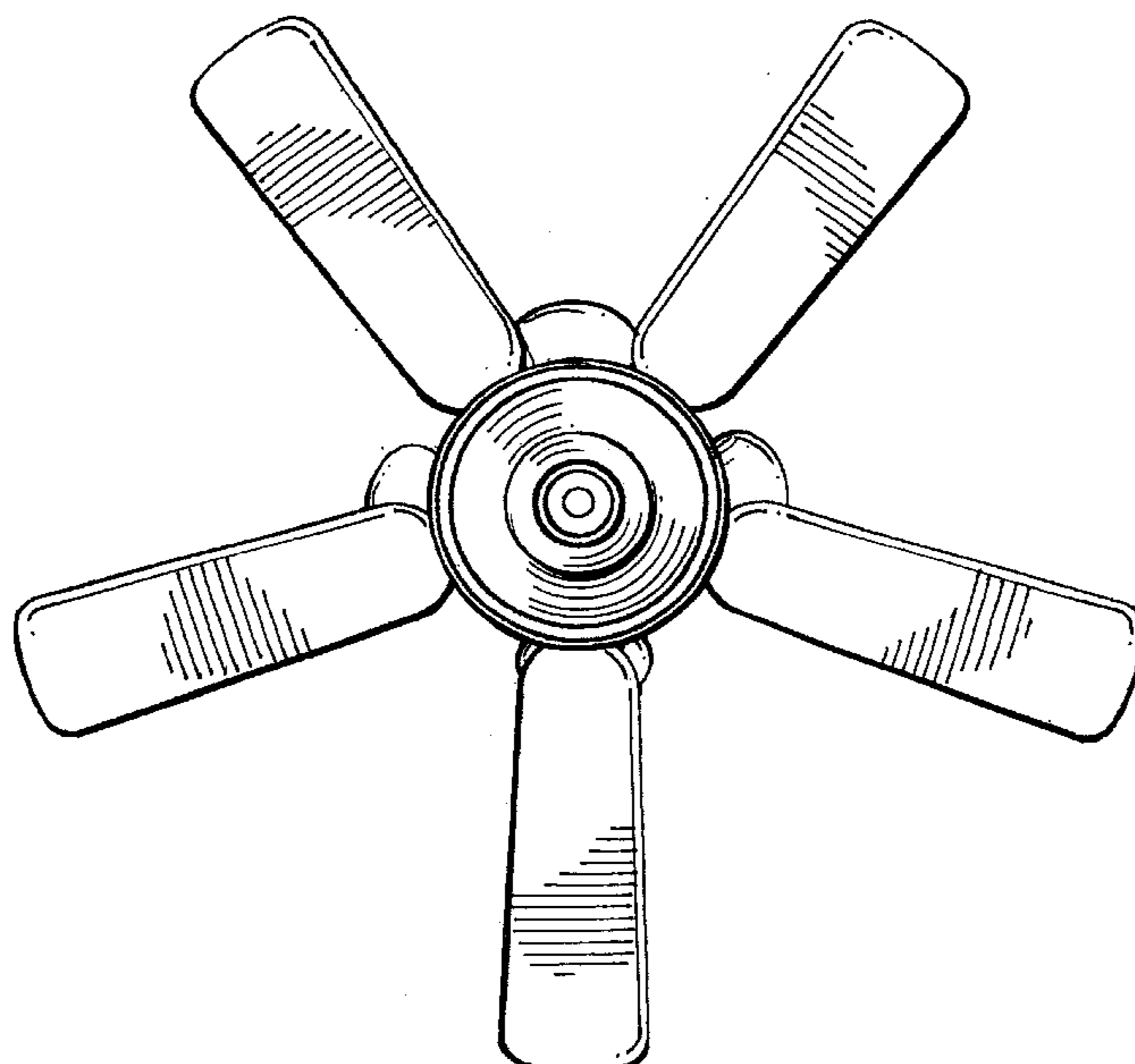
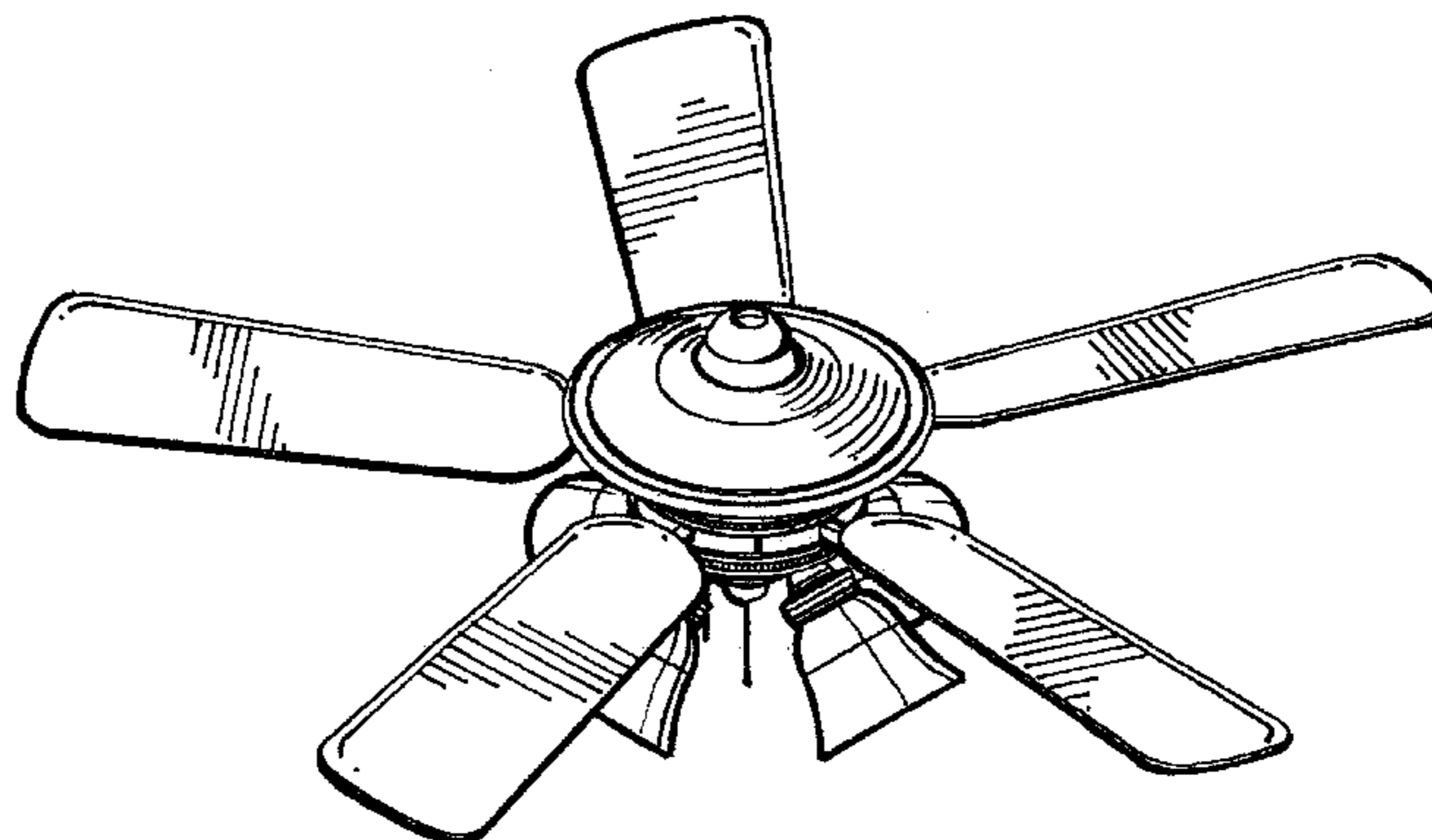
(56) **References Cited**

U.S. PATENT DOCUMENTS

D376,421 S * 12/1996 Jaspers-Fayer D23/377

D424,679 S * 5/2000 LaSpina D23/377

1 Claim, 3 Drawing Sheets



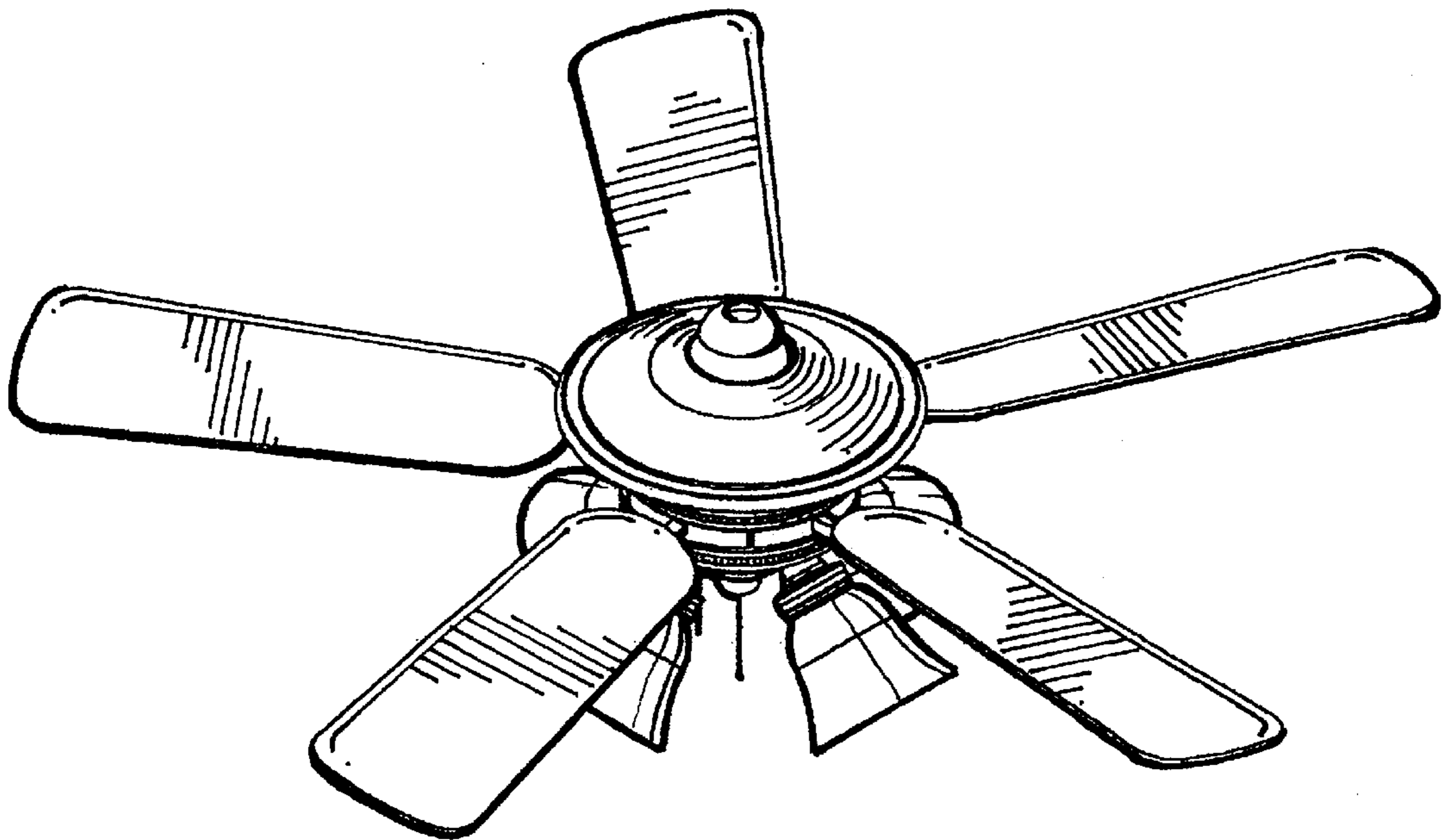


FIG. 1

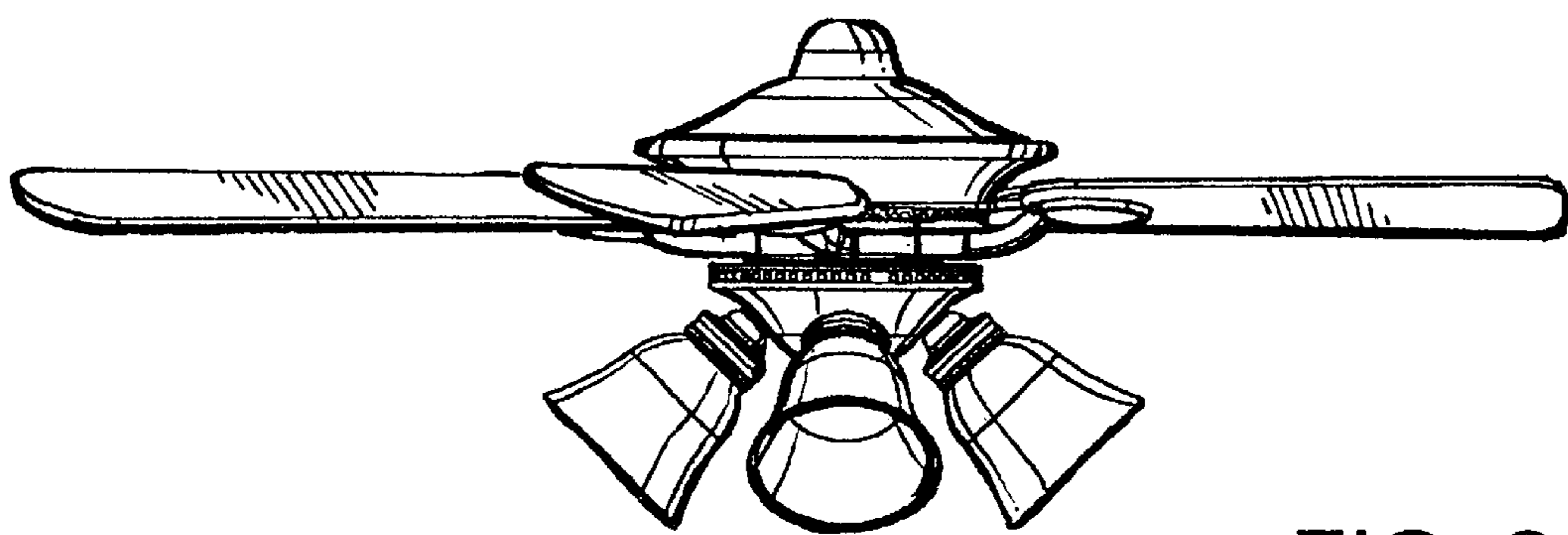


FIG. 2

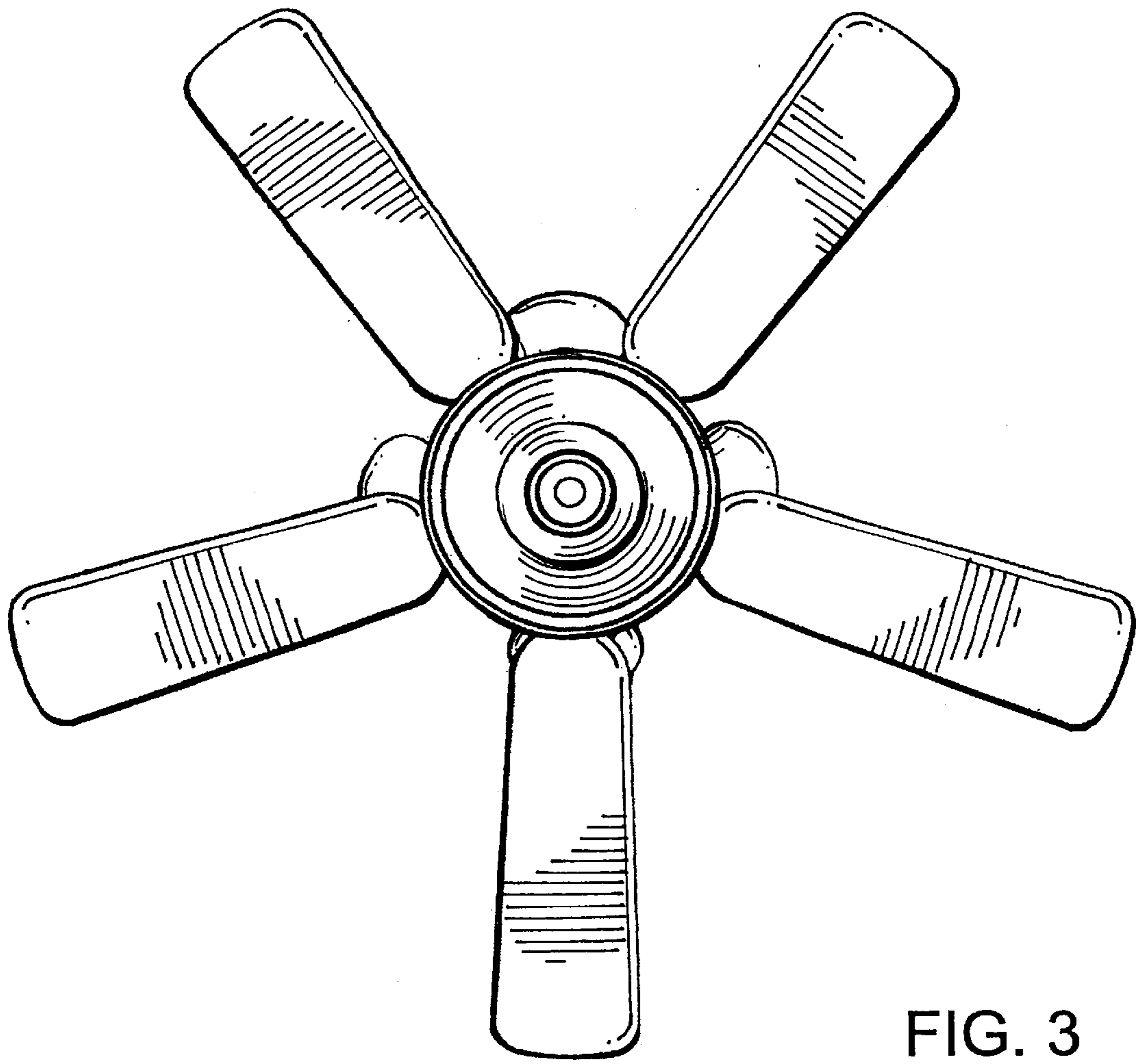


FIG. 3

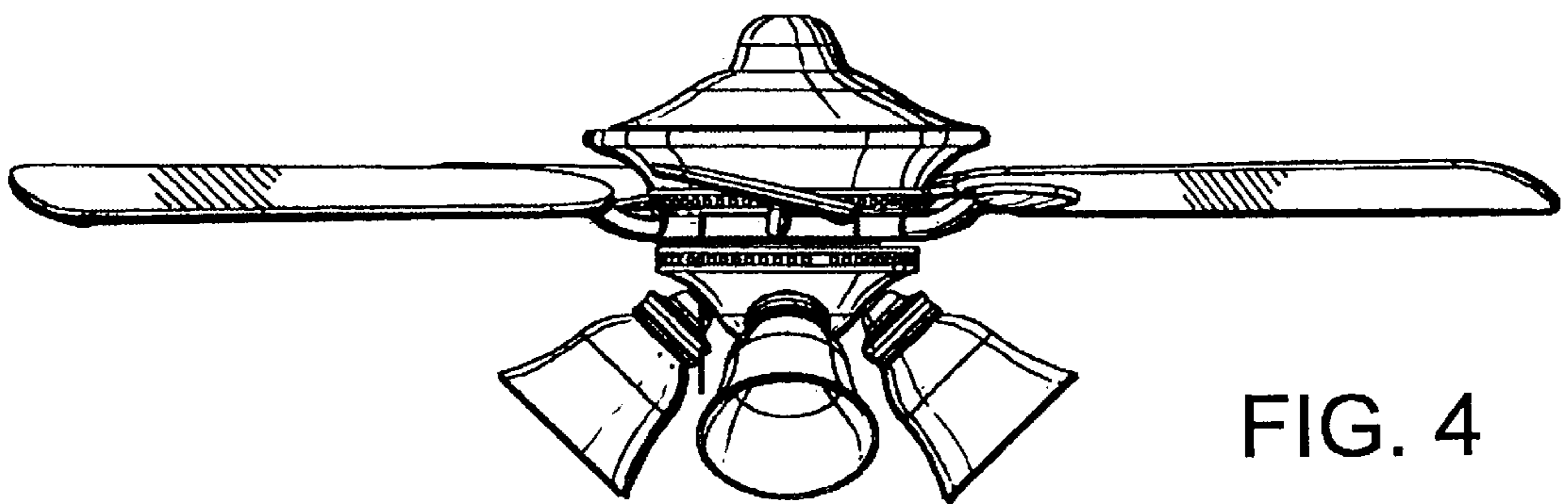


FIG. 4

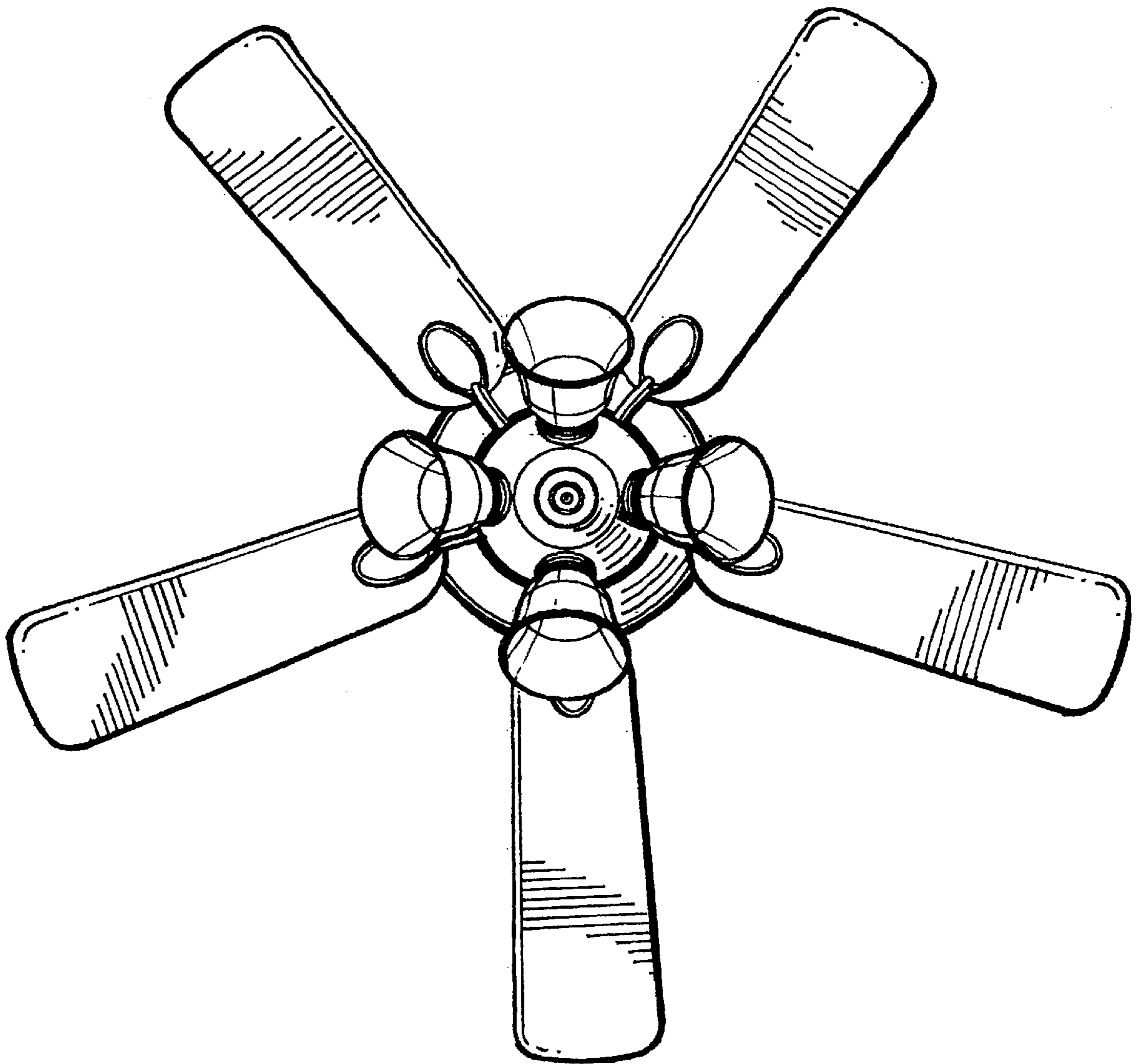


FIG. 5