



US00D483462S

(12) **United States Design Patent**
Teskey

(10) **Patent No.:** **US D483,462 S**

(45) **Date of Patent:** **** Dec. 9, 2003**

(54) **LIMITED OPENING GRAB HANDLE VENTILATOR**

(75) Inventor: **Gregg A. Teskey**, Trabuco Canyon, CA (US)

(73) Assignee: **Ryadon, Inc.**, Foothill, CA (US)

(**) Term: **14 Years**

(21) Appl. No.: **29/162,132**

(22) Filed: **Jun. 10, 2002**

(51) **LOC (7) Cl.** **23-04**

(52) **U.S. Cl.** **D23/373**

(58) **Field of Search** D23/373, 393,
D23/386; 454/143, 145, 149, 158, 273,
333

(56) **References Cited**

U.S. PATENT DOCUMENTS

D390,943 S	*	2/1998	Kelly	D23/373
D450,113 S	*	11/2001	Teskey	D23/373
D461,551 S	*	8/2002	Teskey	D23/373

* cited by examiner

Primary Examiner—Lisa Lichtenstein
(74) *Attorney, Agent, or Firm*—Fulwider Patton Lee & Utecht, LLP

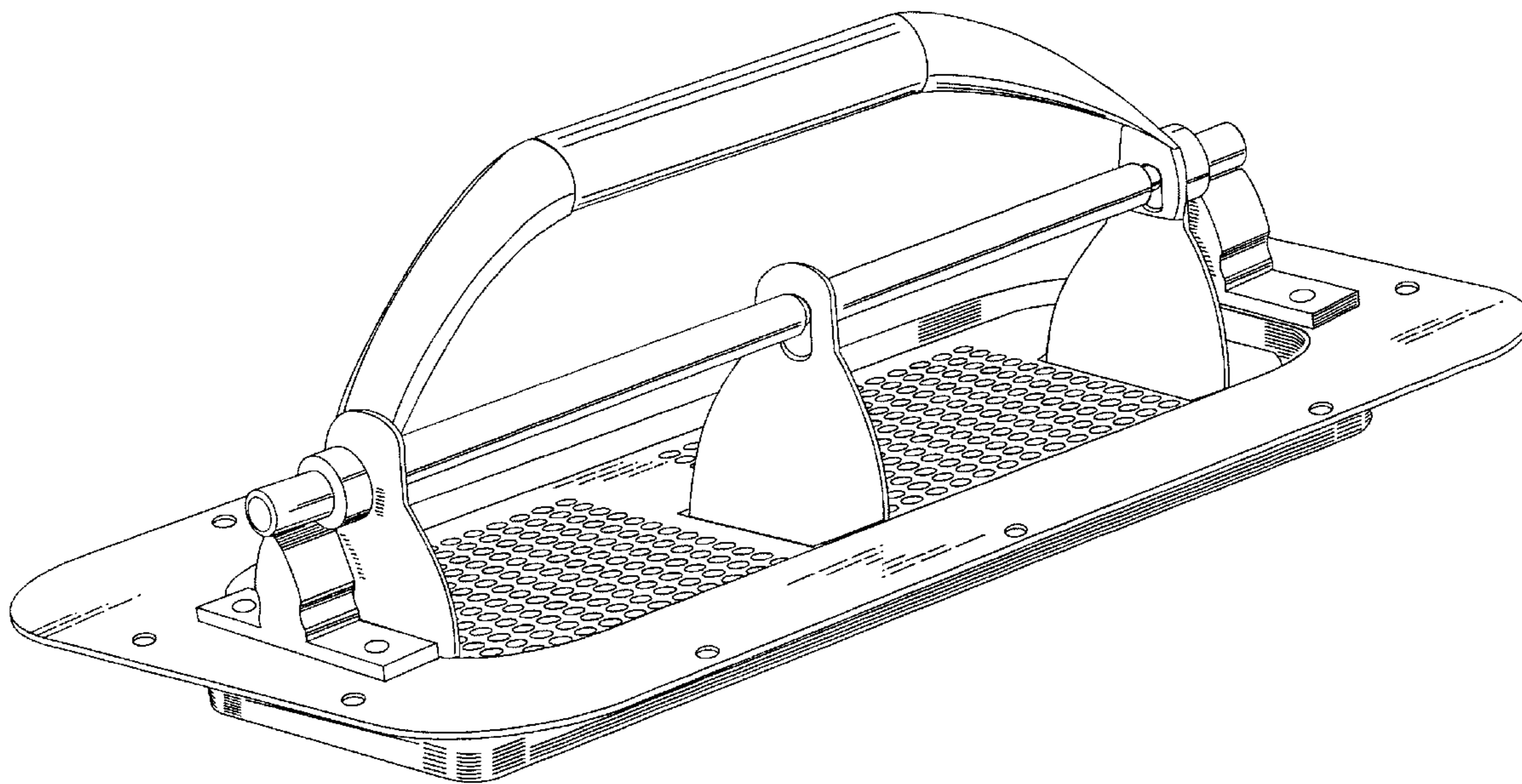
(57) **CLAIM**

The ornamental design for a limited opening grab handle ventilator, as shown and described.

DESCRIPTION

FIG. 1 is a top perspective view showing my new design in a closed position;
 FIG. 2 is a bottom view, thereof;
 FIG. 3 is a top view, thereof;
 FIG. 4 is an end view, thereof;
 FIG. 5 is a side view, thereof;
 FIG. 6 is a bottom perspective view showing my design in an open position, thereof;
 FIG. 7 is a top perspective view showing my design in an open position;
 FIG. 8 is a bottom view, thereof;
 FIG. 9 is a top view, thereof;
 FIG. 10 is an end view, thereof;
 FIG. 11 is a bottom side view, thereof;
 FIG. 12 is a top side view, thereof; and,
 FIG. 13 is a side view, thereof.

1 Claim, 13 Drawing Sheets



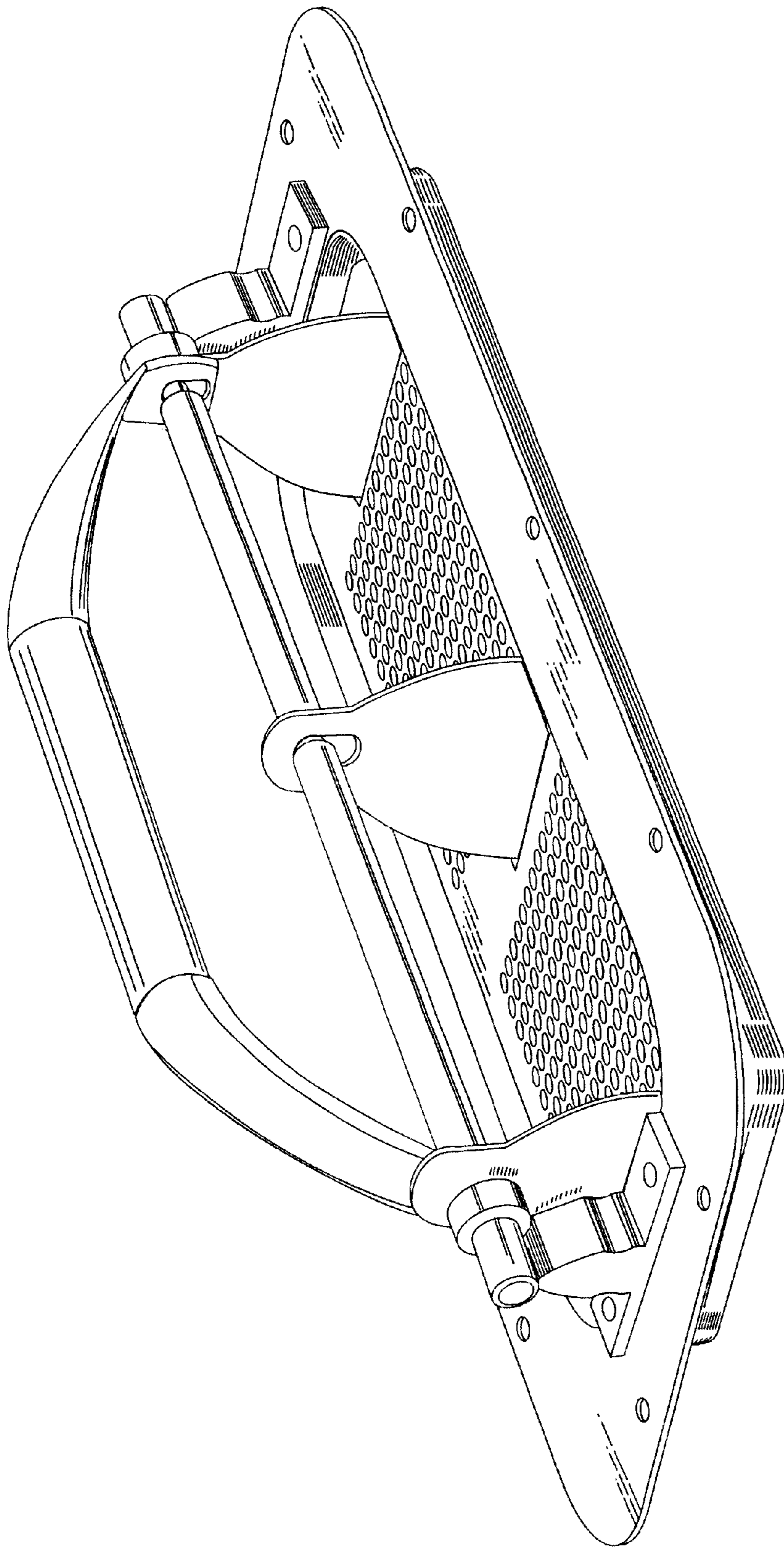


Fig. 1

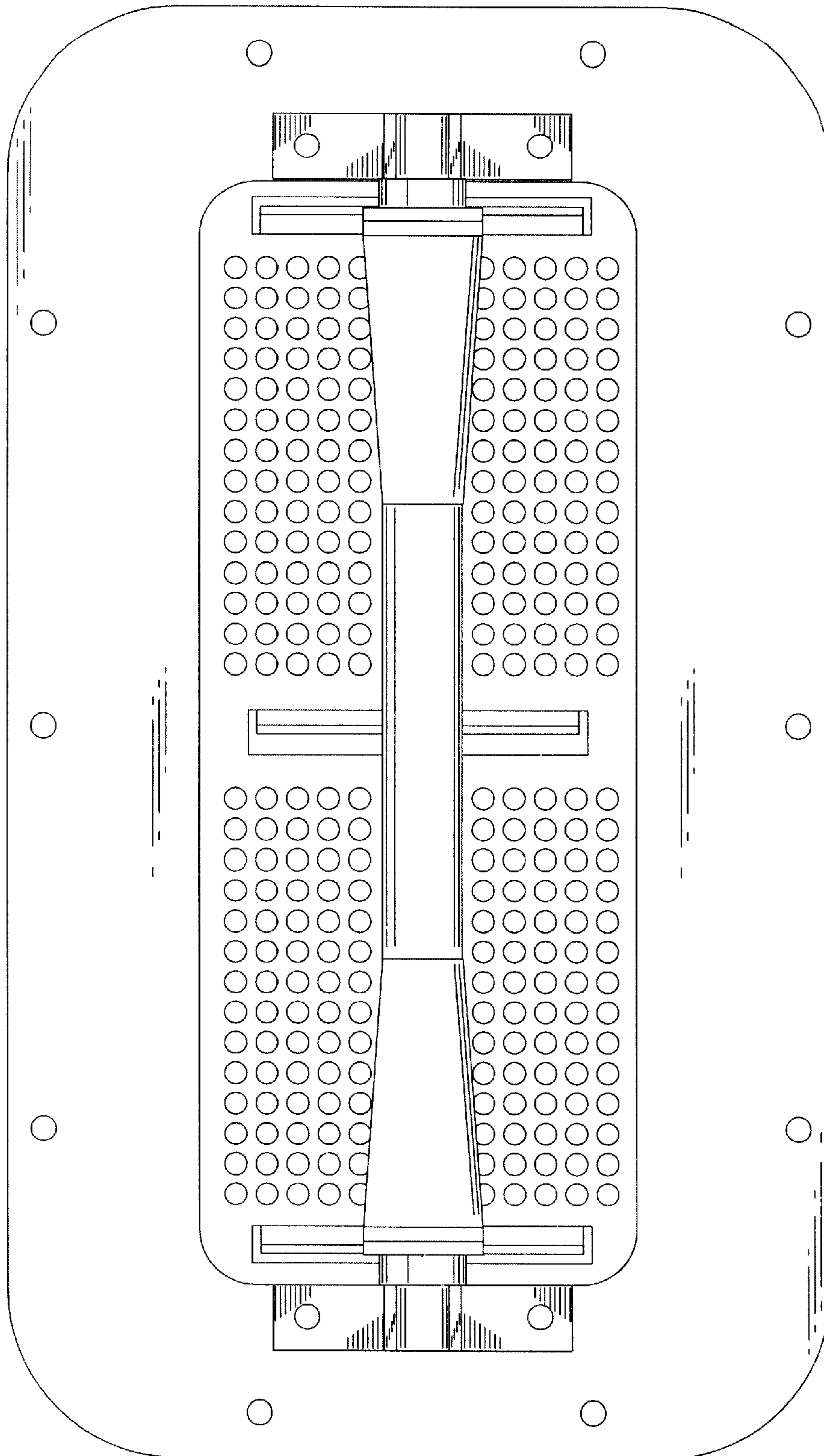


Fig. 2

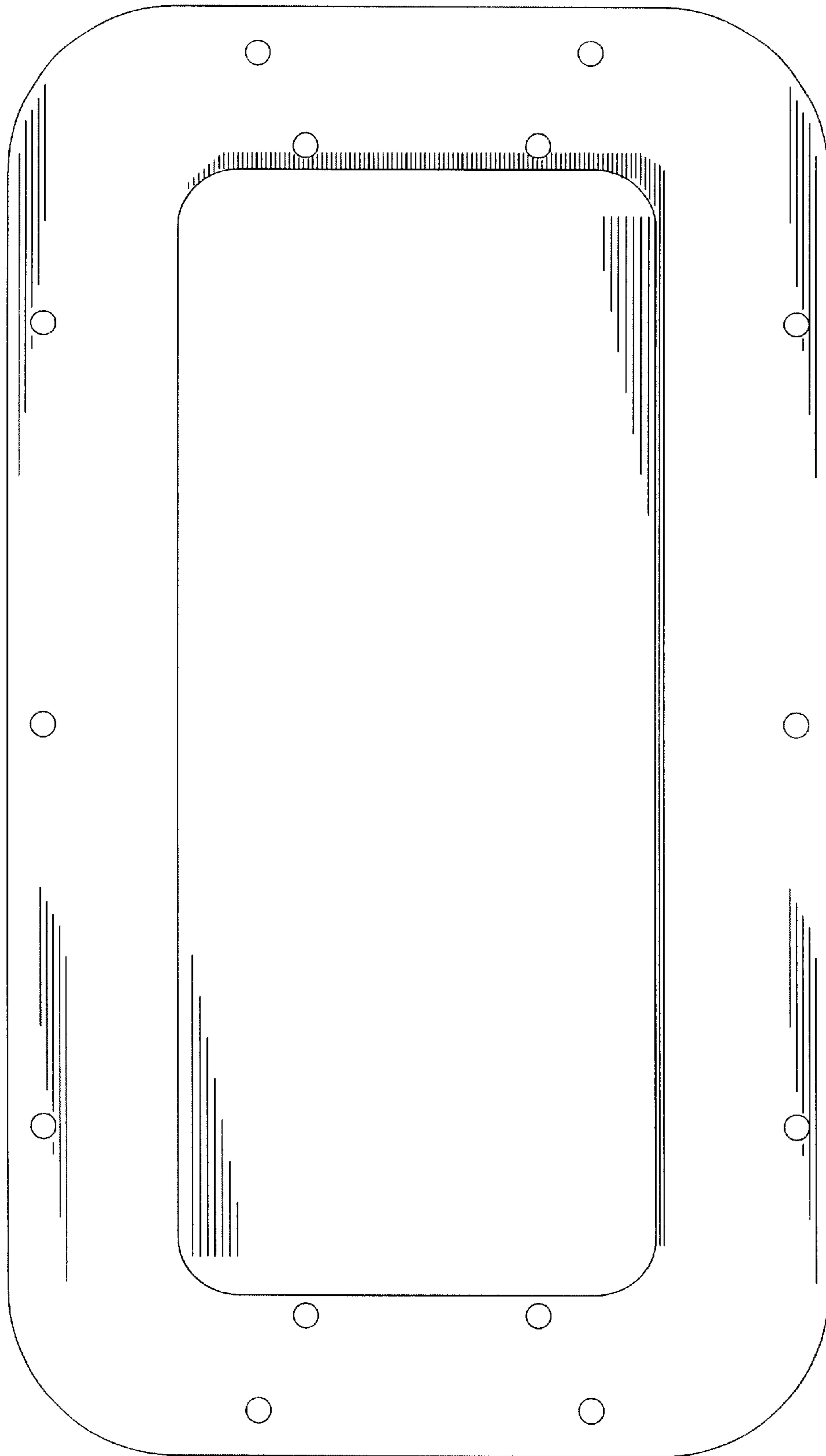


Fig. 3

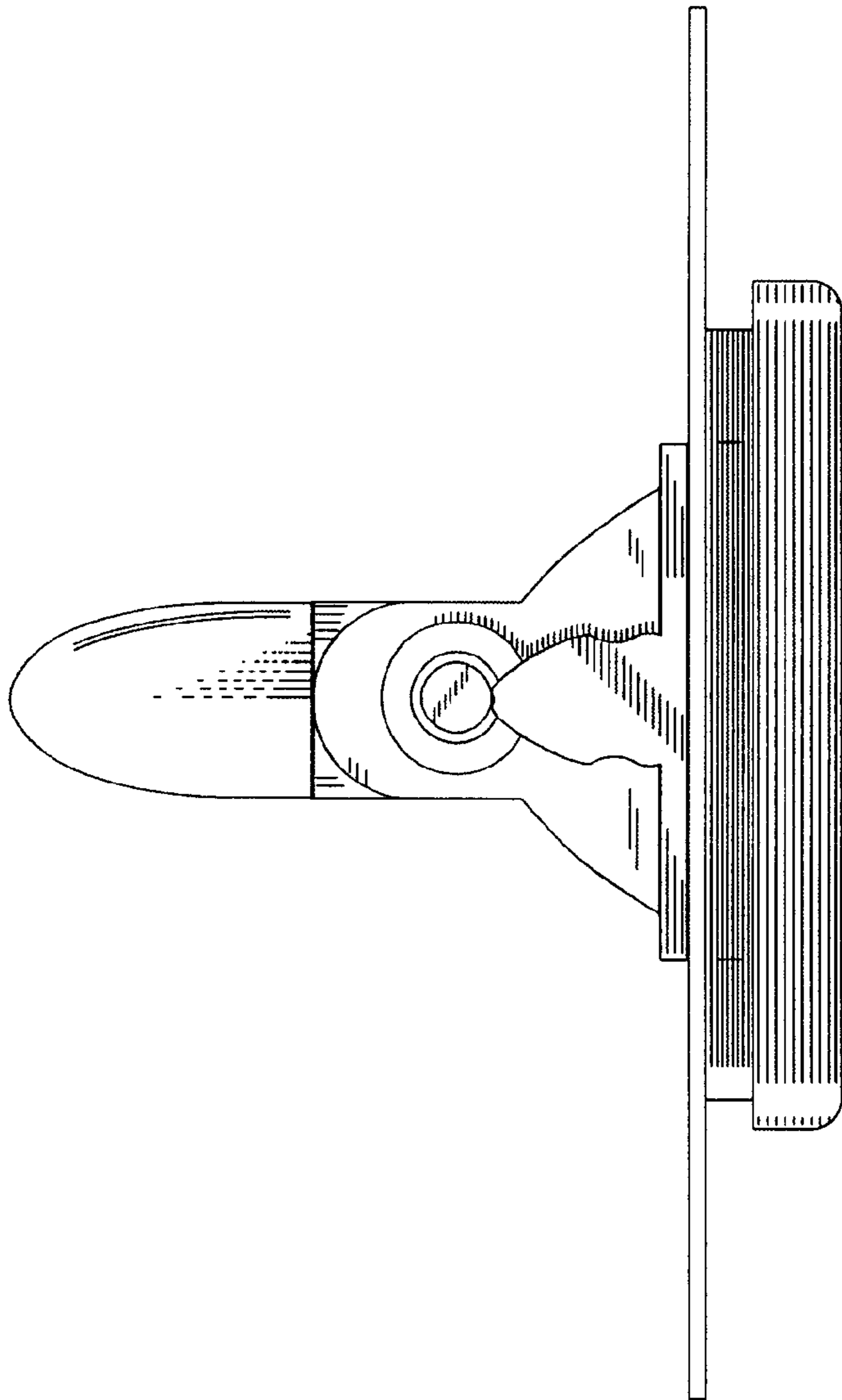


Fig. 4

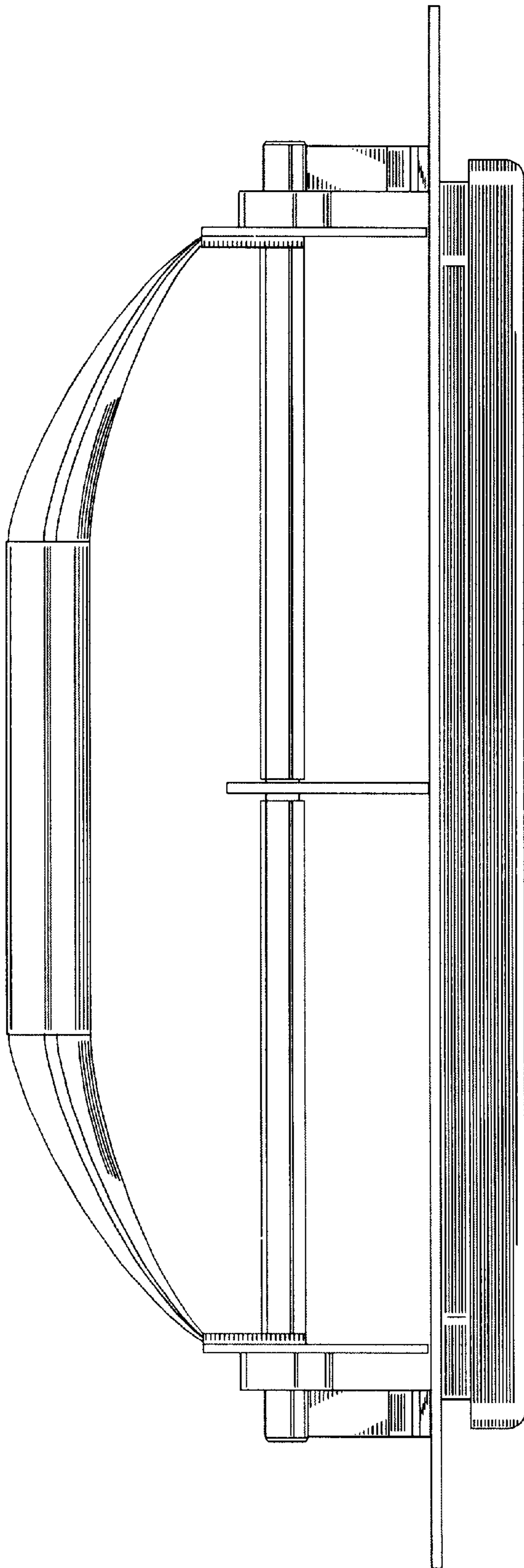


Fig. 5

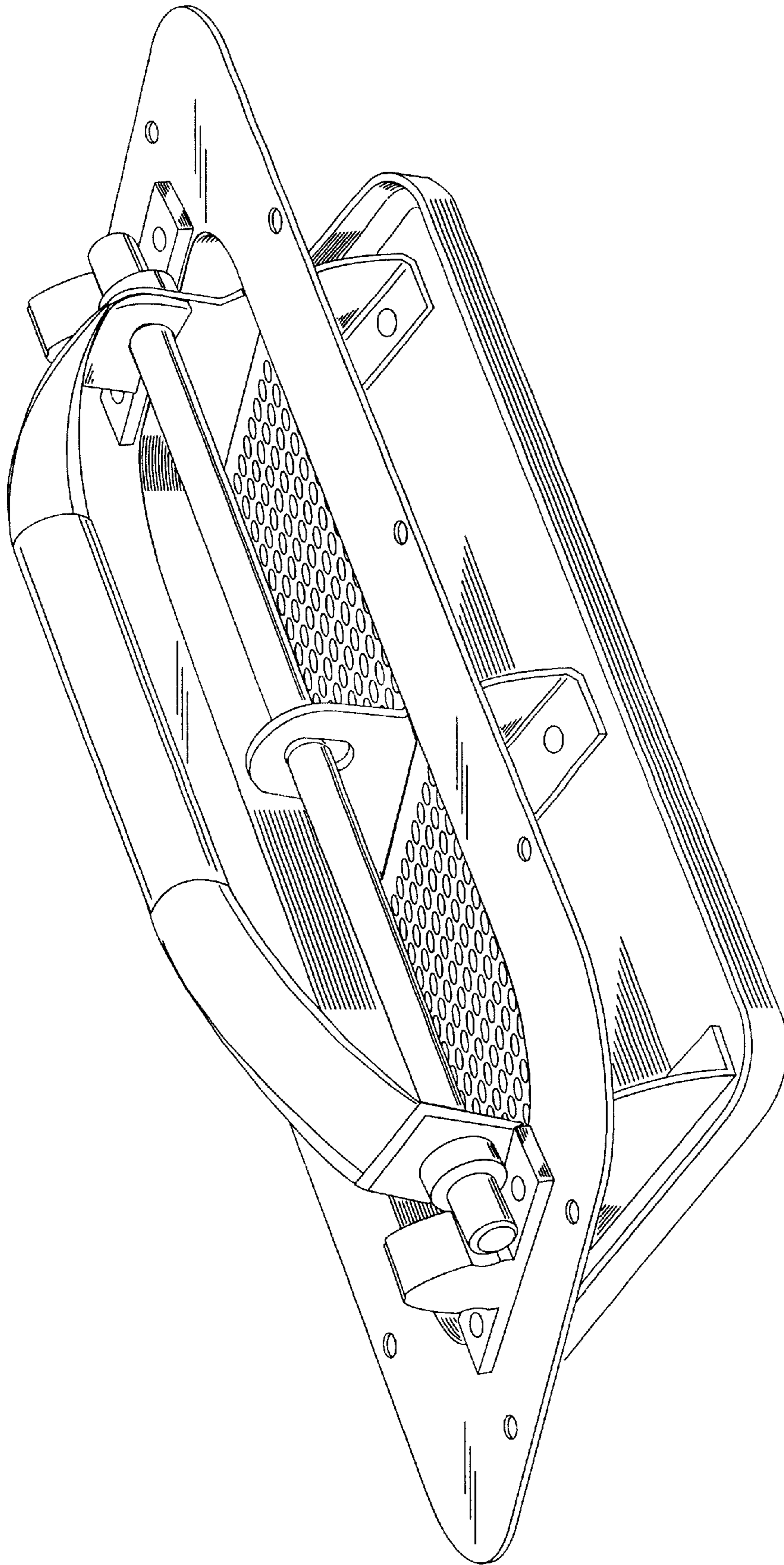


Fig. 6

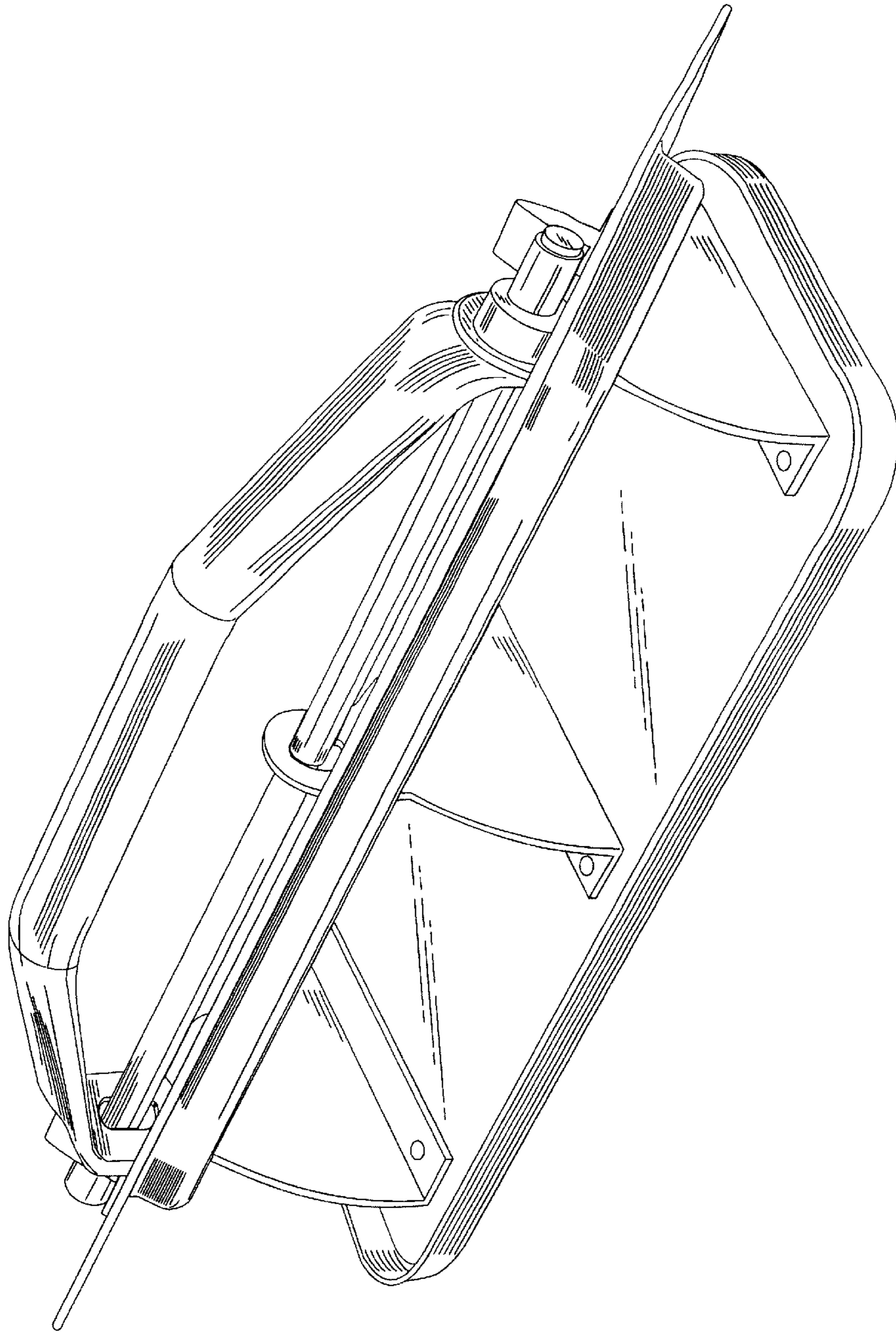


Fig. 7

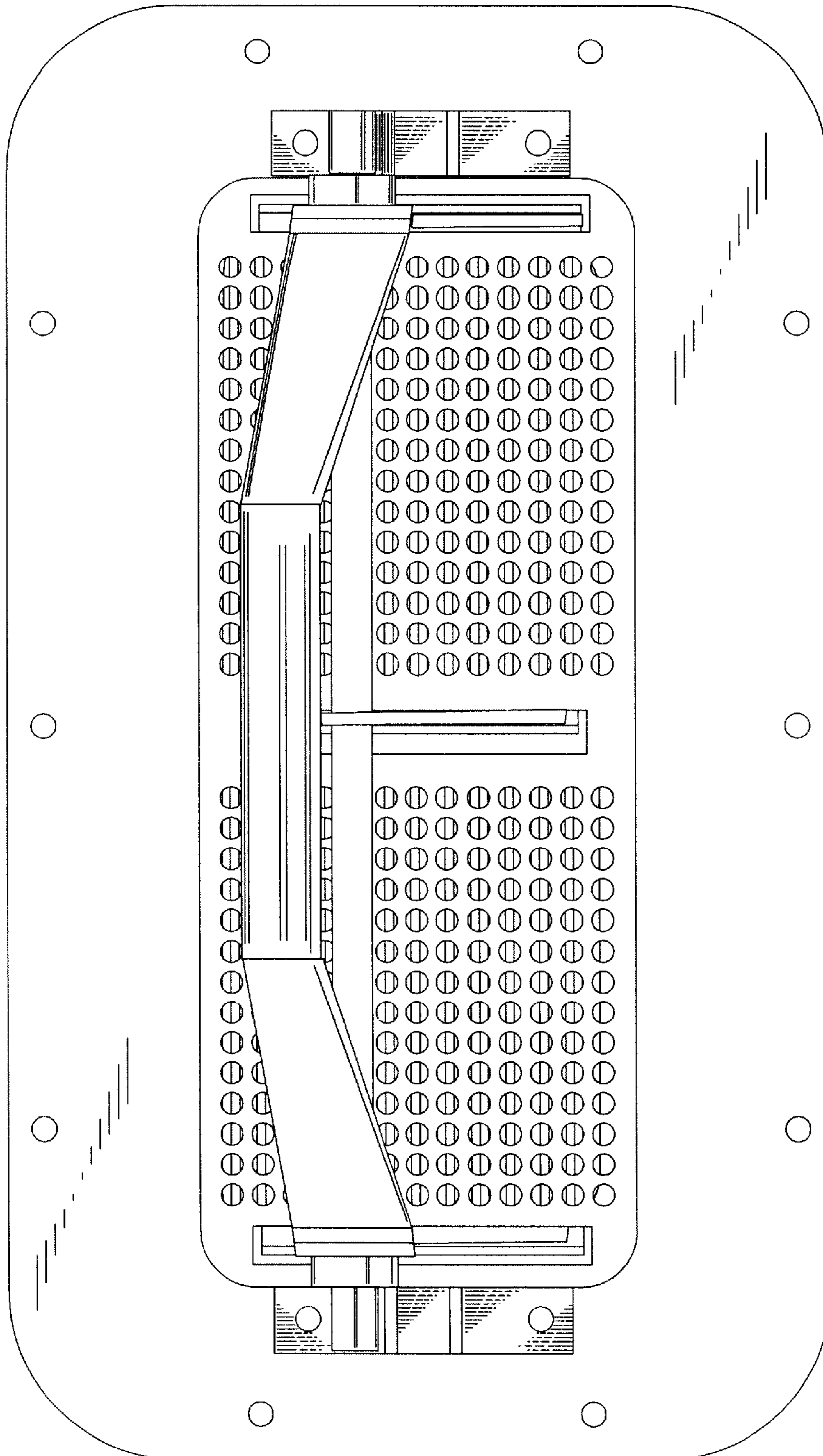


Fig. 8

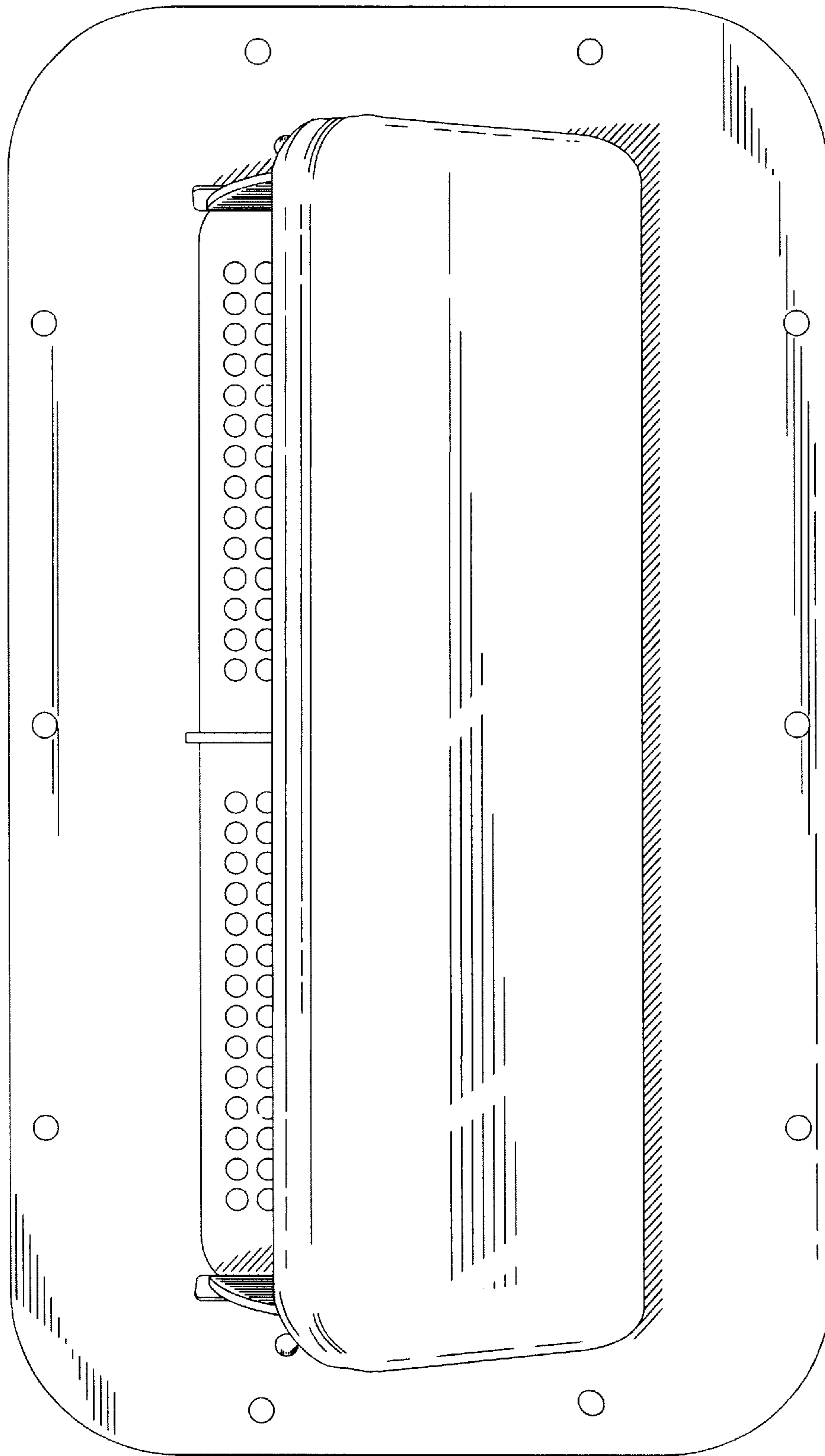


Fig. 9

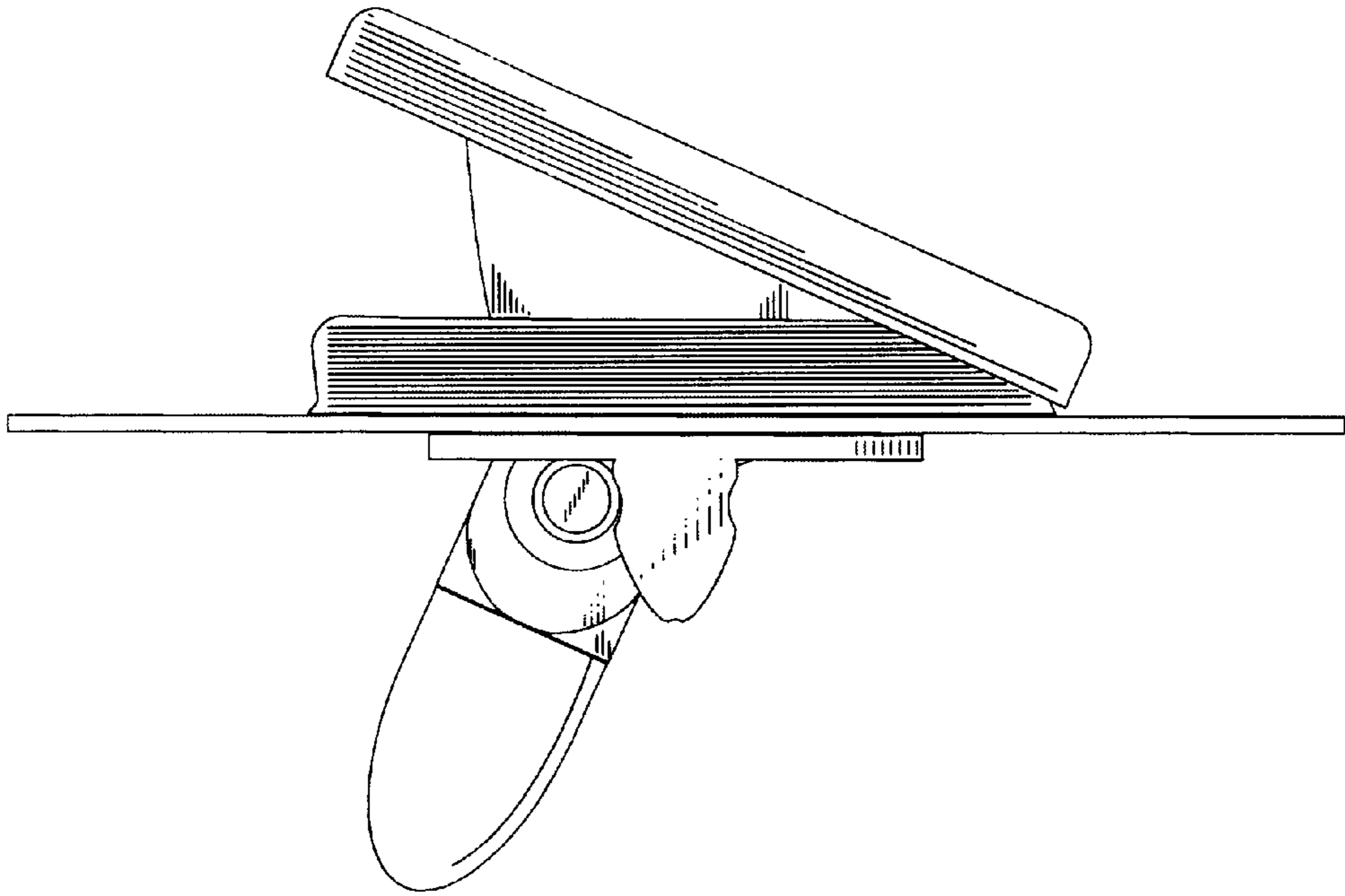


Fig. 10

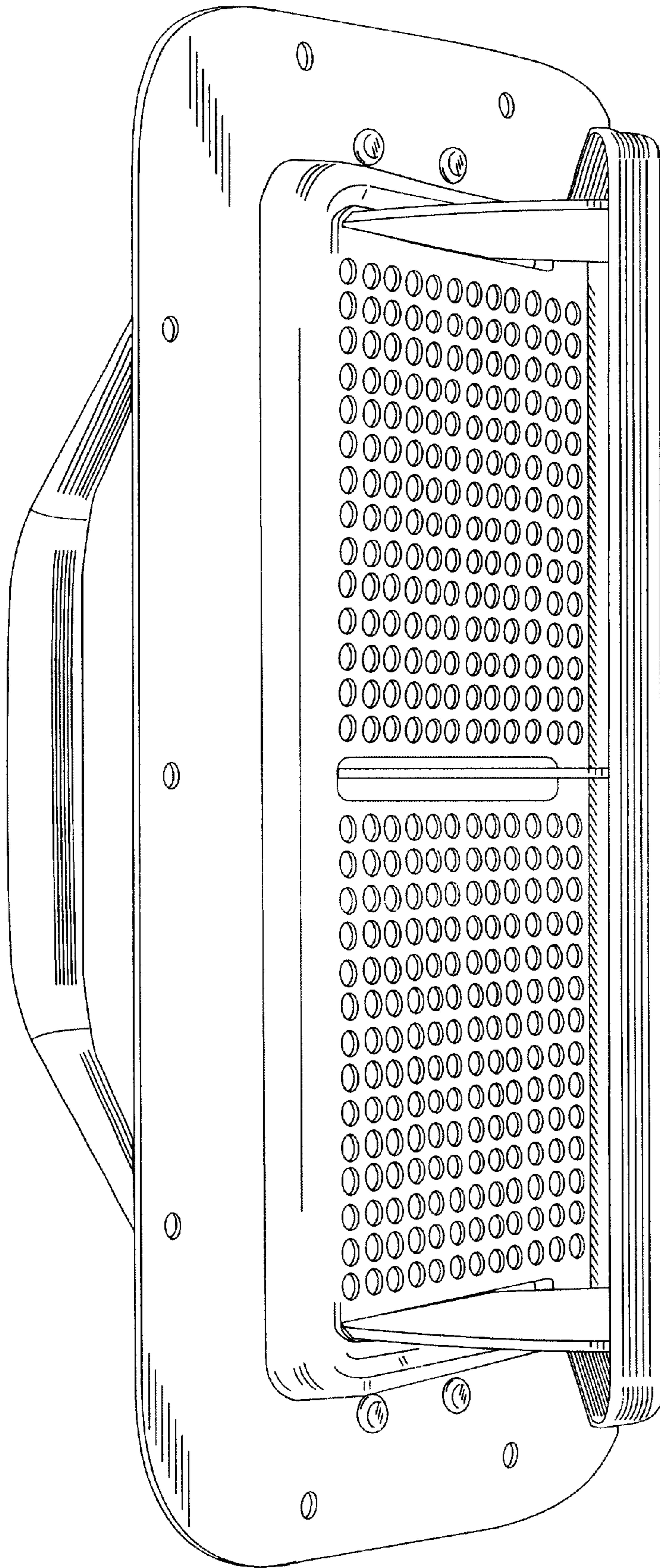


Fig. 11

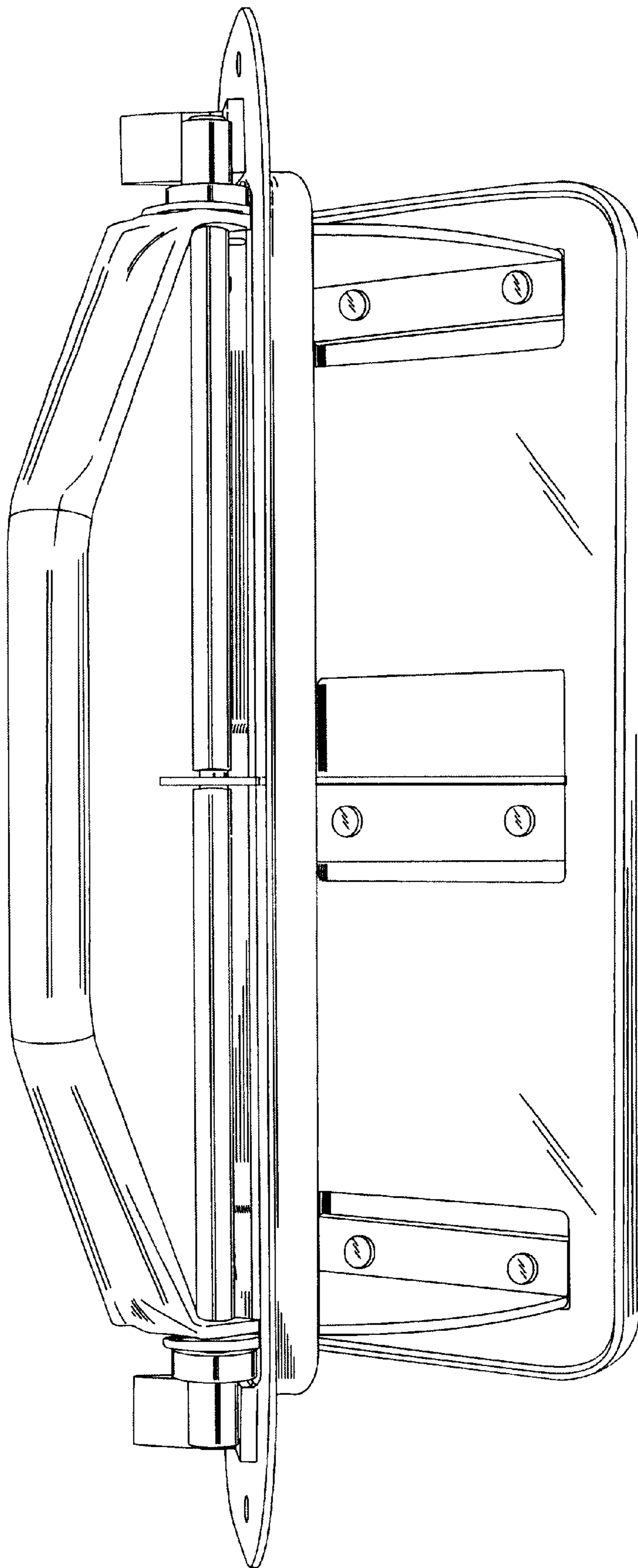


Fig. 12

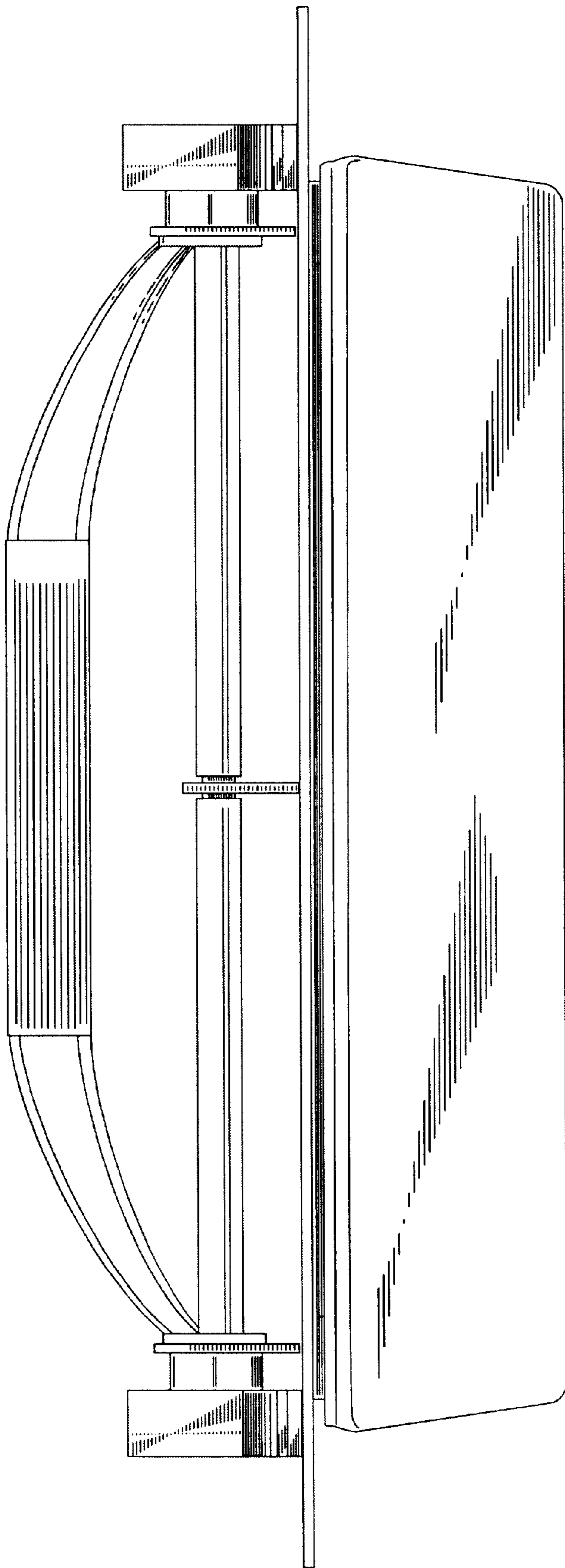


Fig. 13