



US00D483460S

(12) **United States Design Patent**  
**Millan**

(10) **Patent No.:** **US D483,460 S**

(45) **Date of Patent:** **\*\* Dec. 9, 2003**

(54) **ELECTRICAL AIR FRESHENER**

(75) Inventor: **Jordi Basagañas Millan**, Cerdanyola del Valles (ES)

(73) Assignee: **DBK Espana, S.A.** (ES)

(\*\*) Term: **14 Years**

(21) Appl. No.: **29/154,294**

(22) Filed: **Jan. 18, 2002**

(30) **Foreign Application Priority Data**

Jul. 18, 2001 (ES) ..... 151850

(51) **LOC (7) Cl.** ..... **23-04**

(52) **U.S. Cl.** ..... **D23/366**

(58) **Field of Search** ..... D23/366-69; 239/211, 239/34-60; 422/120, 122-4; 261/DIG. 65

(56) **References Cited**

**U.S. PATENT DOCUMENTS**

- D447,550 S \* 9/2001 Basaganas
- D449,101 S \* 10/2001 Wolpert et al.
- D456,886 S \* 5/2002 Hart et al.
- D461,885 S \* 8/2002 Jordi
- D465,019 S \* 10/2002 Wu
- D466,204 S \* 11/2002 Wolpert et al.

- D473,638 S \* 4/2003 Cruver, IV
- D474,268 S \* 5/2003 Choke-arpornchai
- D475,446 S \* 6/2003 Millan

\* cited by examiner

*Primary Examiner*—M. H. Tung

(74) *Attorney, Agent, or Firm*—Ostrolenk, Faber, Gerb & Soffen, LLP

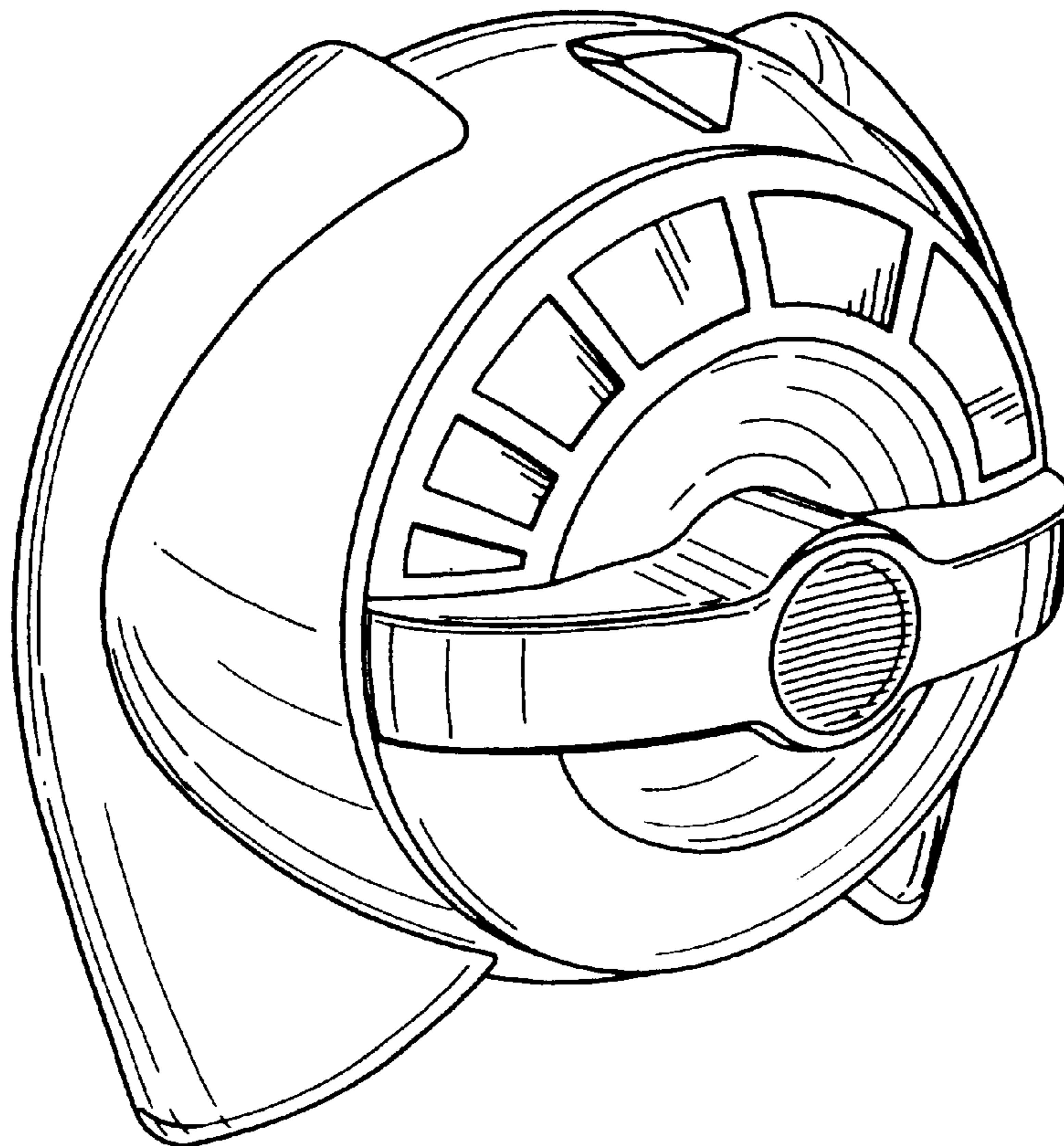
(57) **CLAIM**

The ornamental design for an electrical air freshener, as shown and described.

**DESCRIPTION**

FIG. 1 is a left front perspective view of an electric air freshener of the new design;  
 FIG. 2 is a right side perspective view;  
 FIG. 3 is a right side perspective view showing further detail of a front side of the device;  
 FIG. 4 is a right rear side perspective view;  
 FIG. 5 is a front side view;  
 FIG. 6 is a top side view;  
 FIG. 7 is a right side view;  
 FIG. 8 is a rear side view;  
 FIG. 9 is a bottom side view; and,  
 FIG. 10 is a left side view.

**1 Claim, 25 Drawing Sheets**



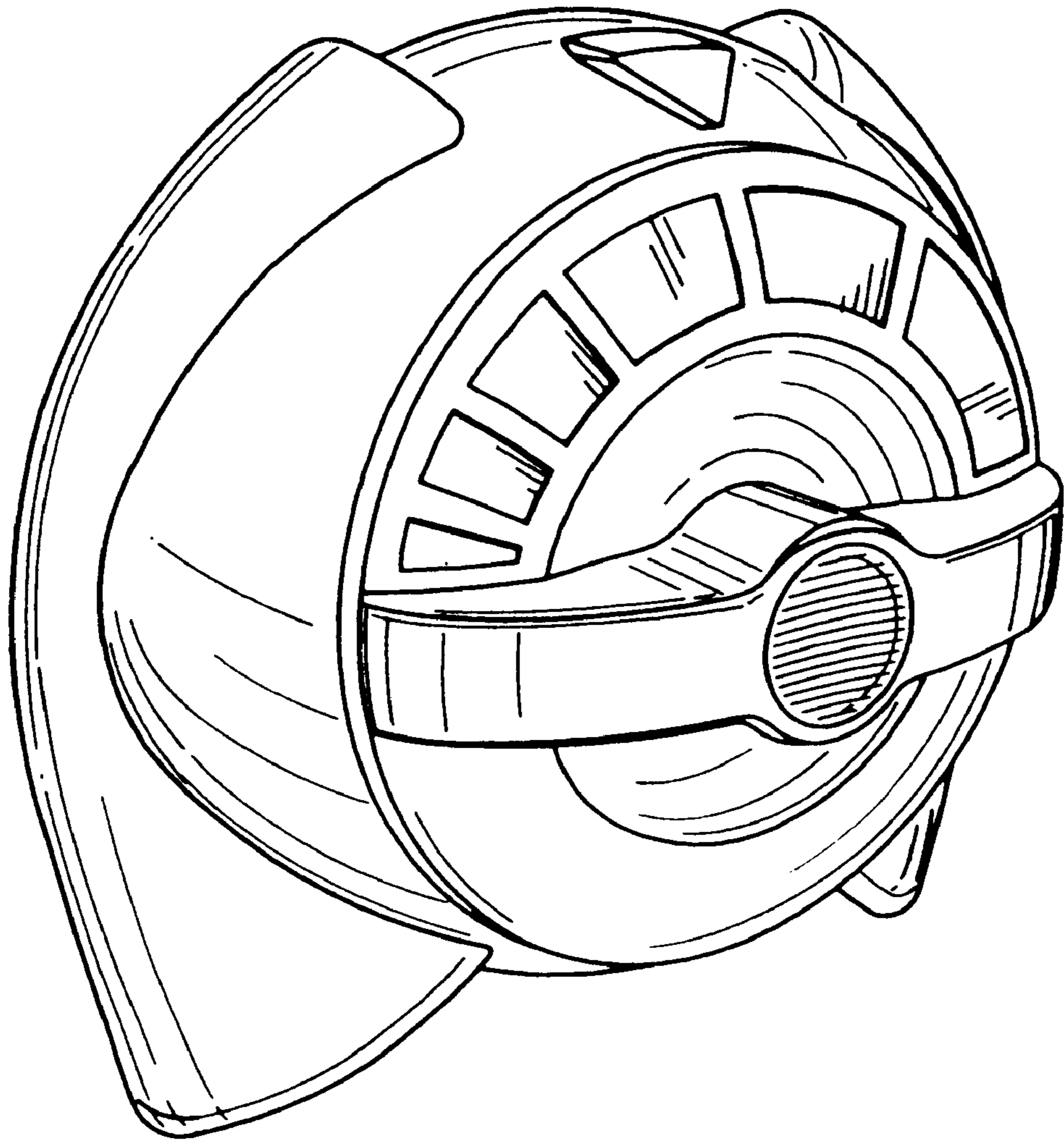


FIG. 1

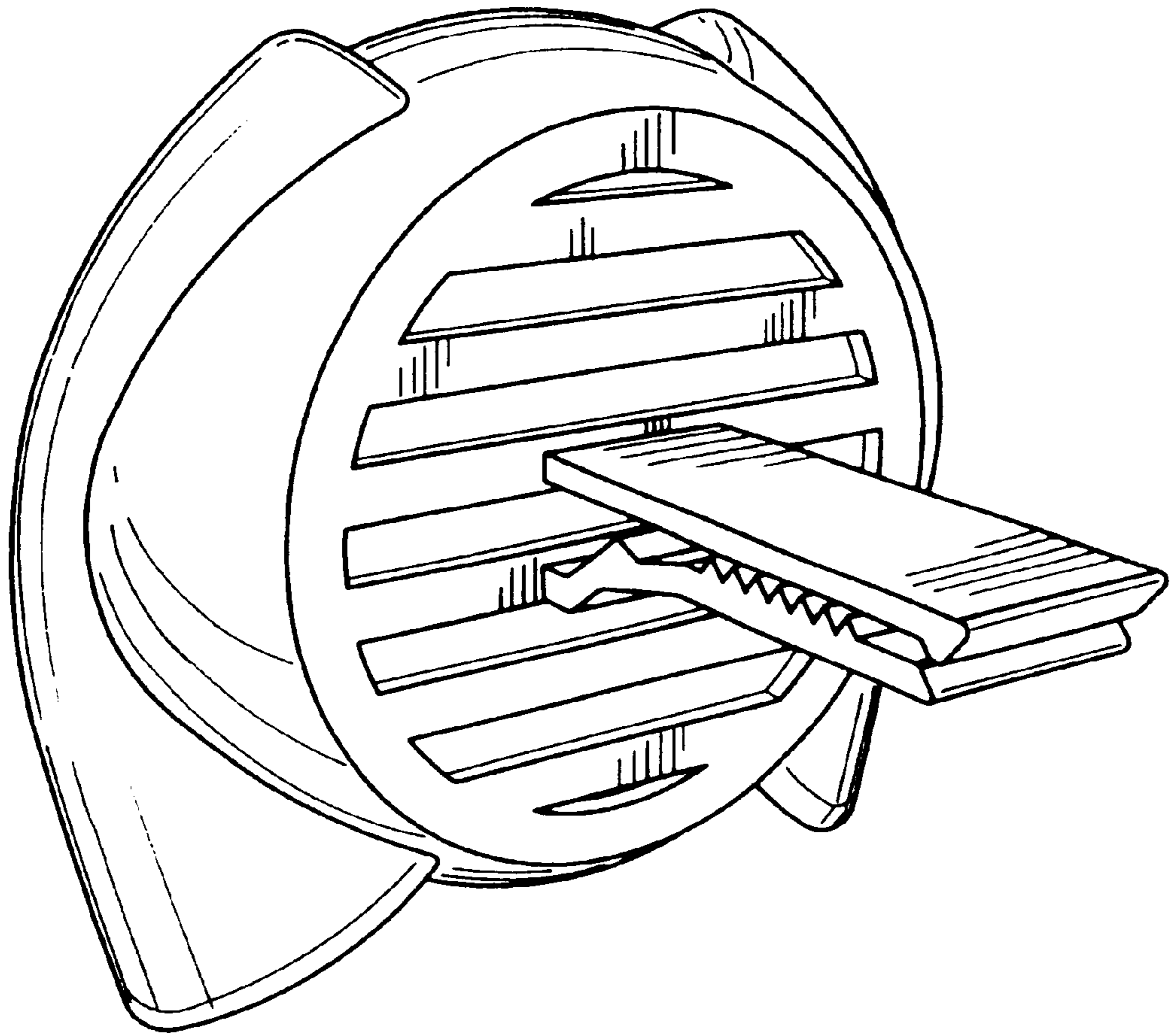


FIG. 2

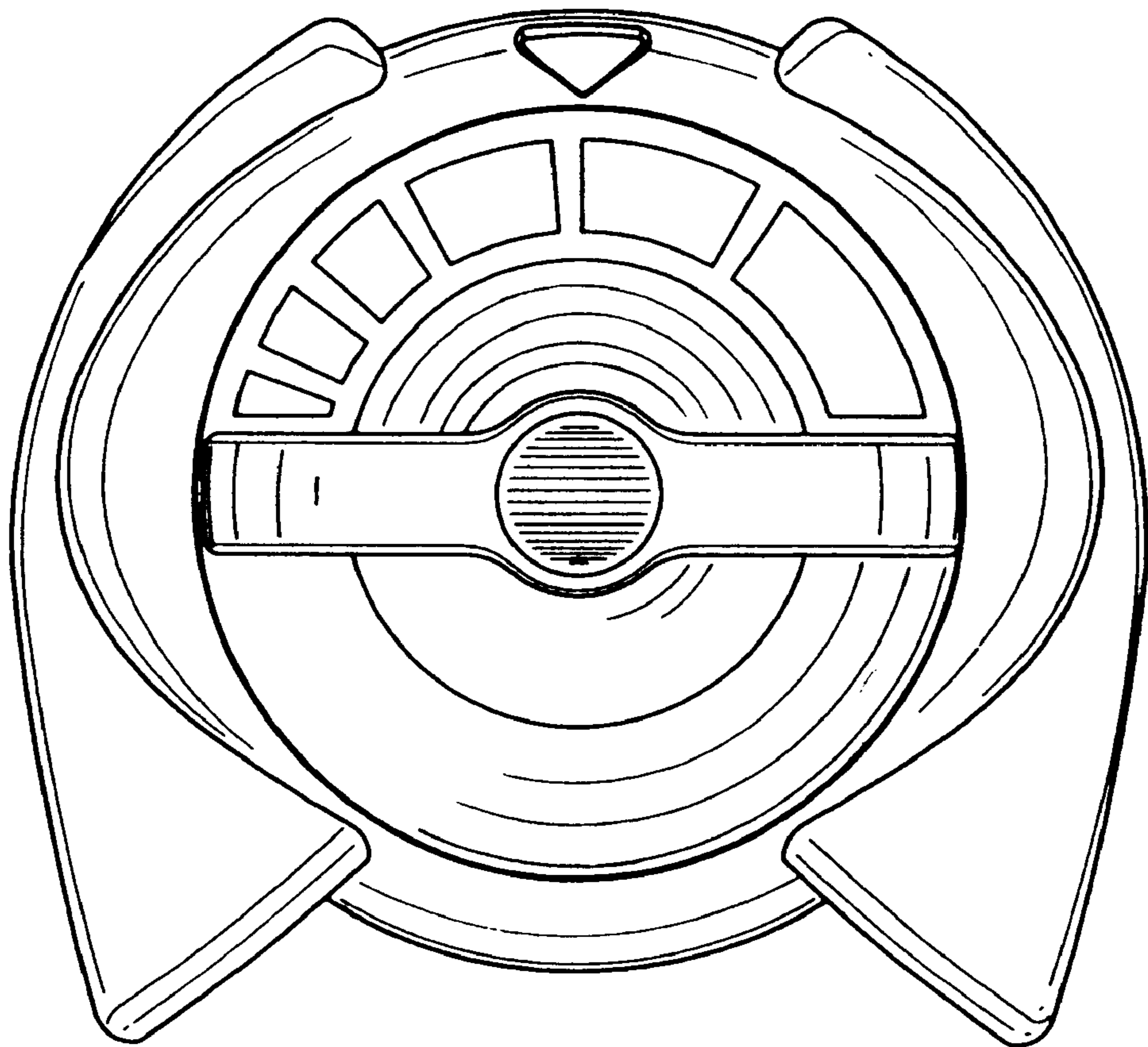


FIG. 3

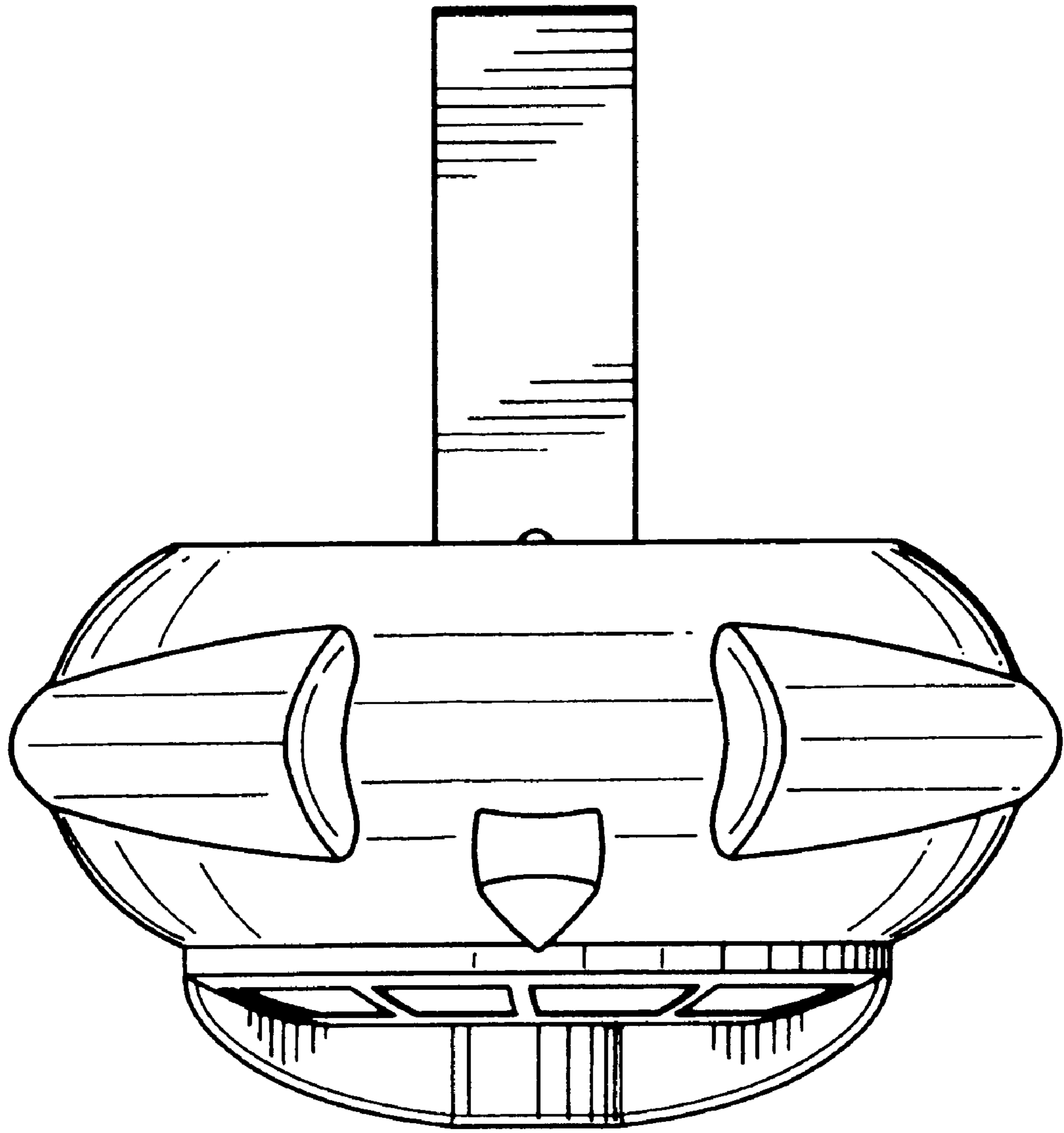


FIG. 4

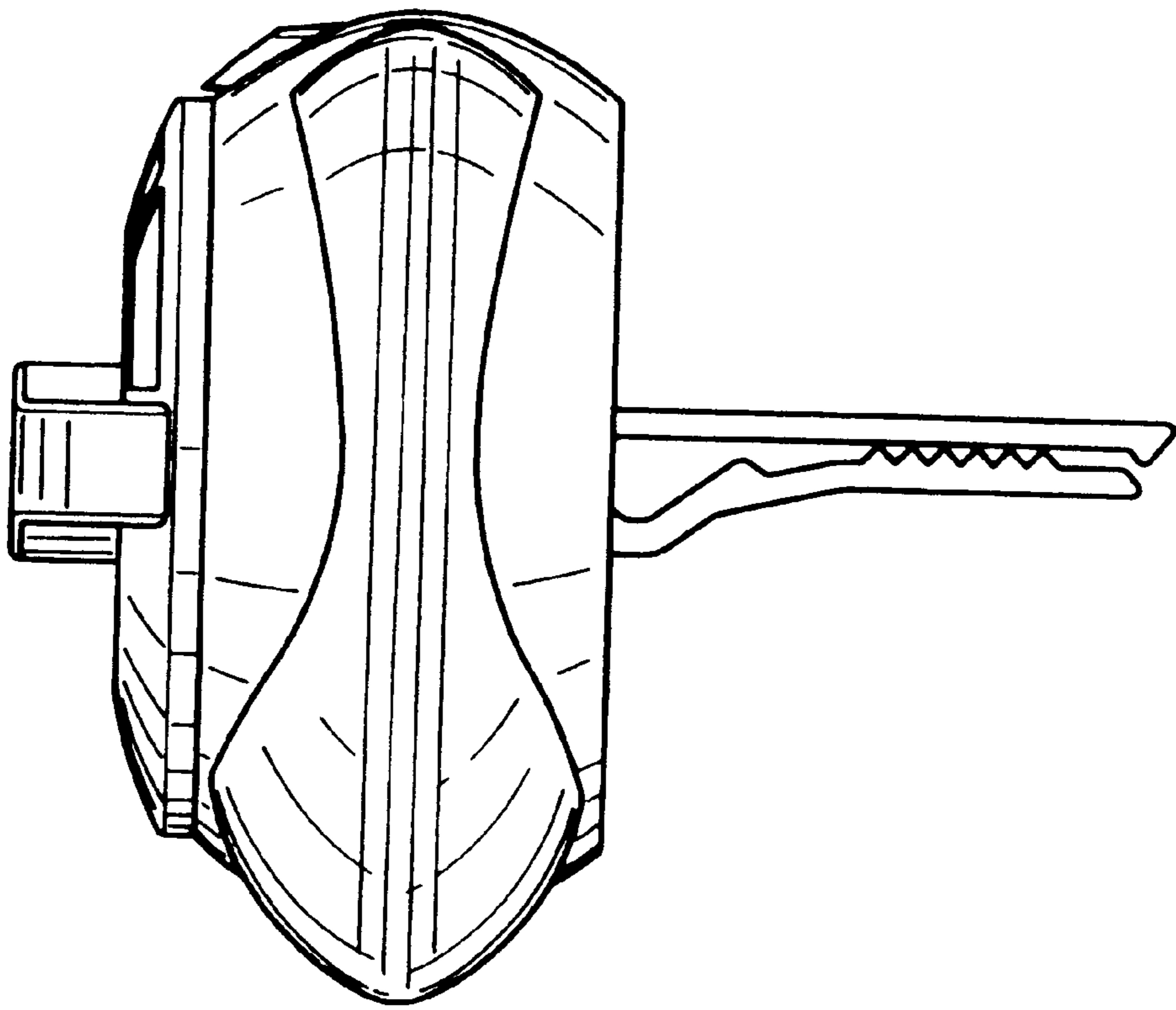


FIG. 5

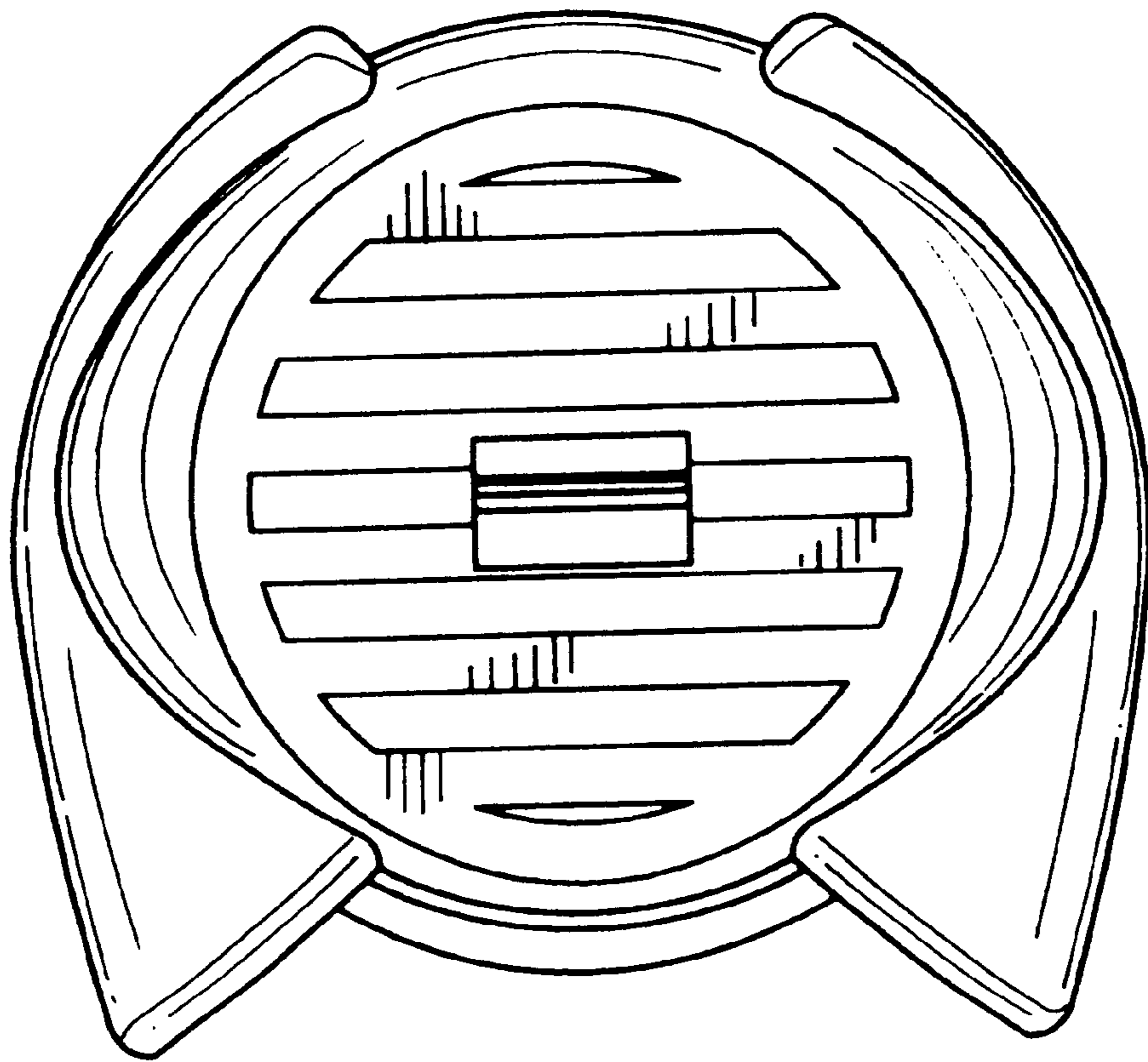


FIG. 6

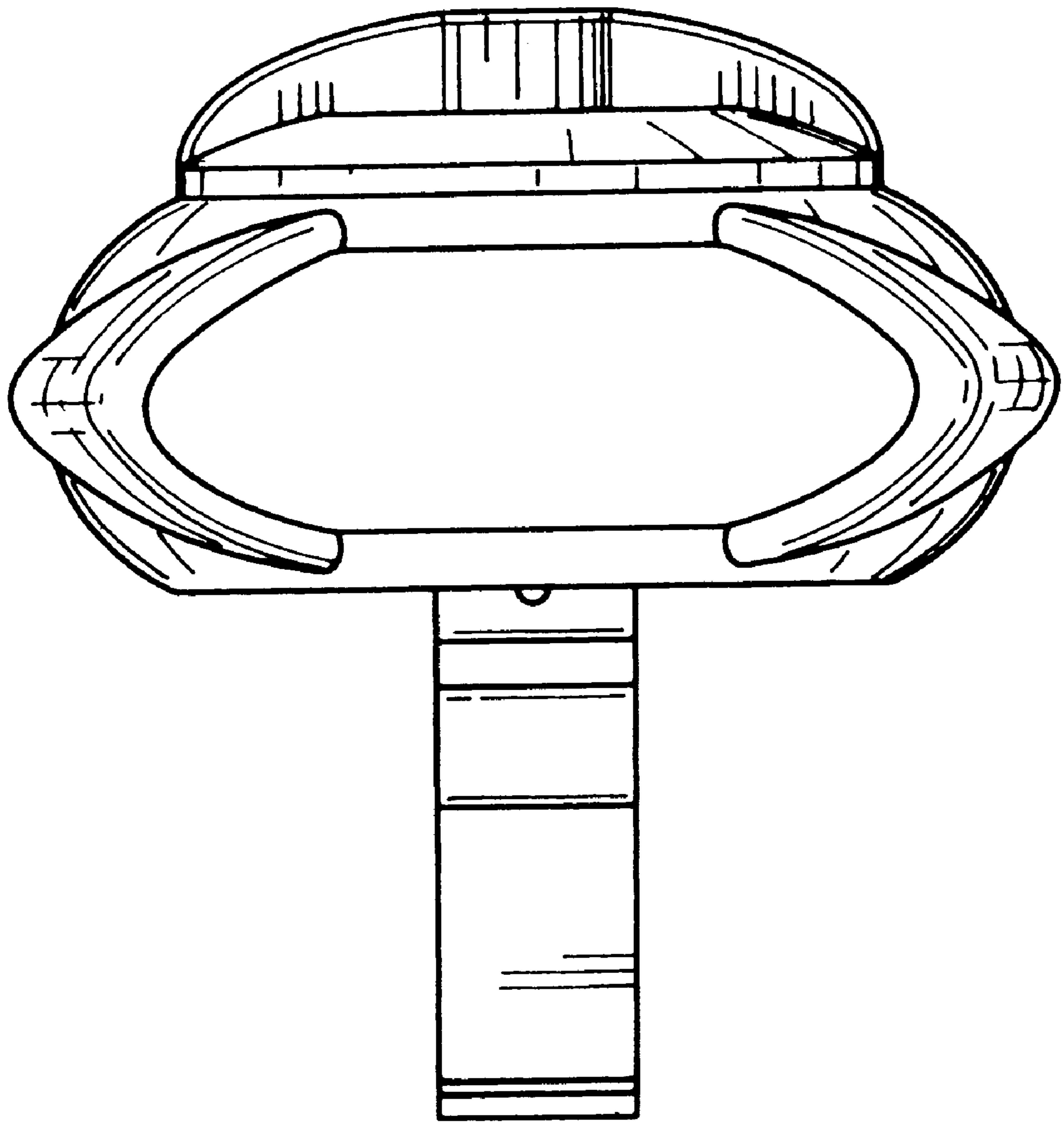


FIG. 7



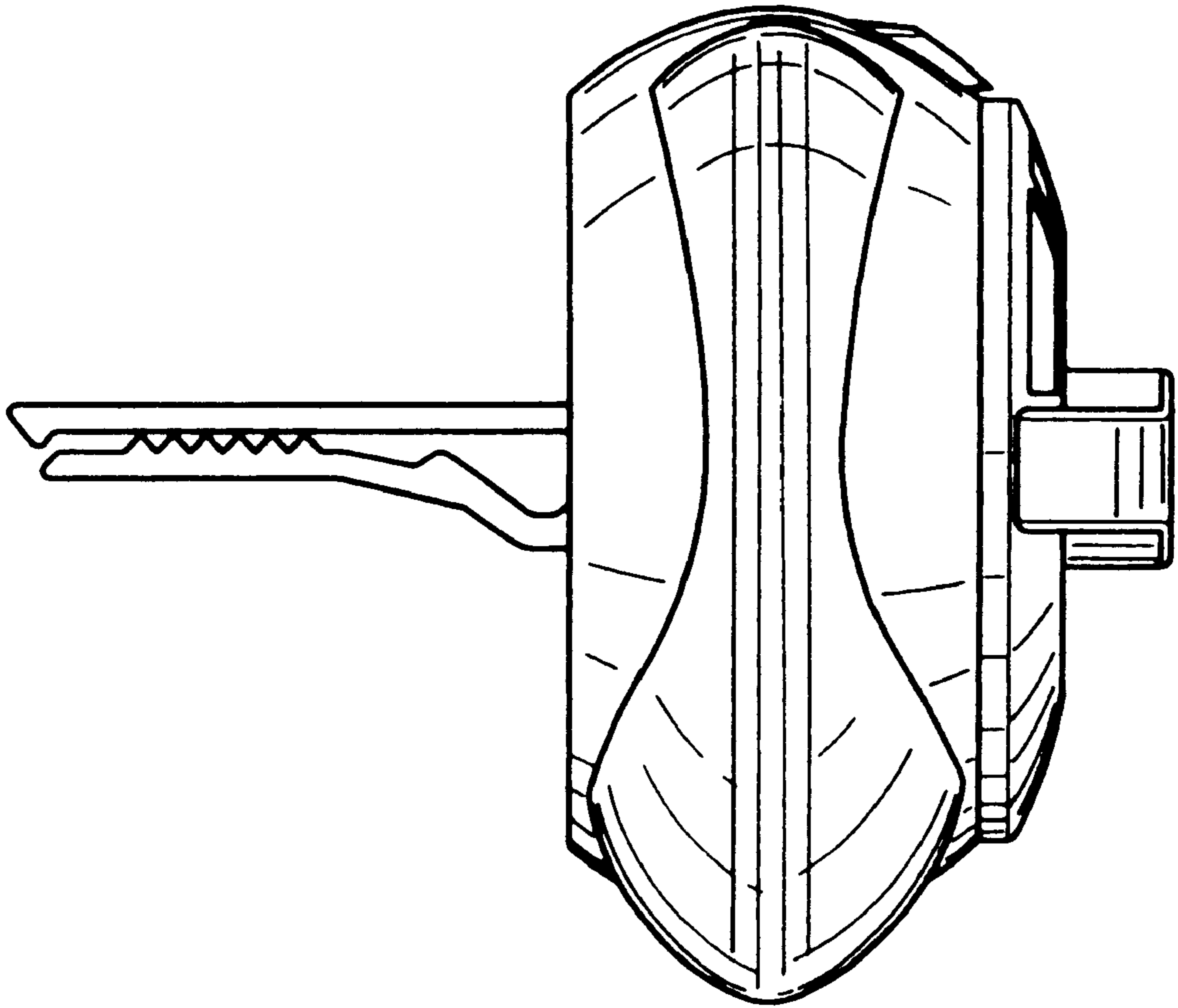


FIG. 8

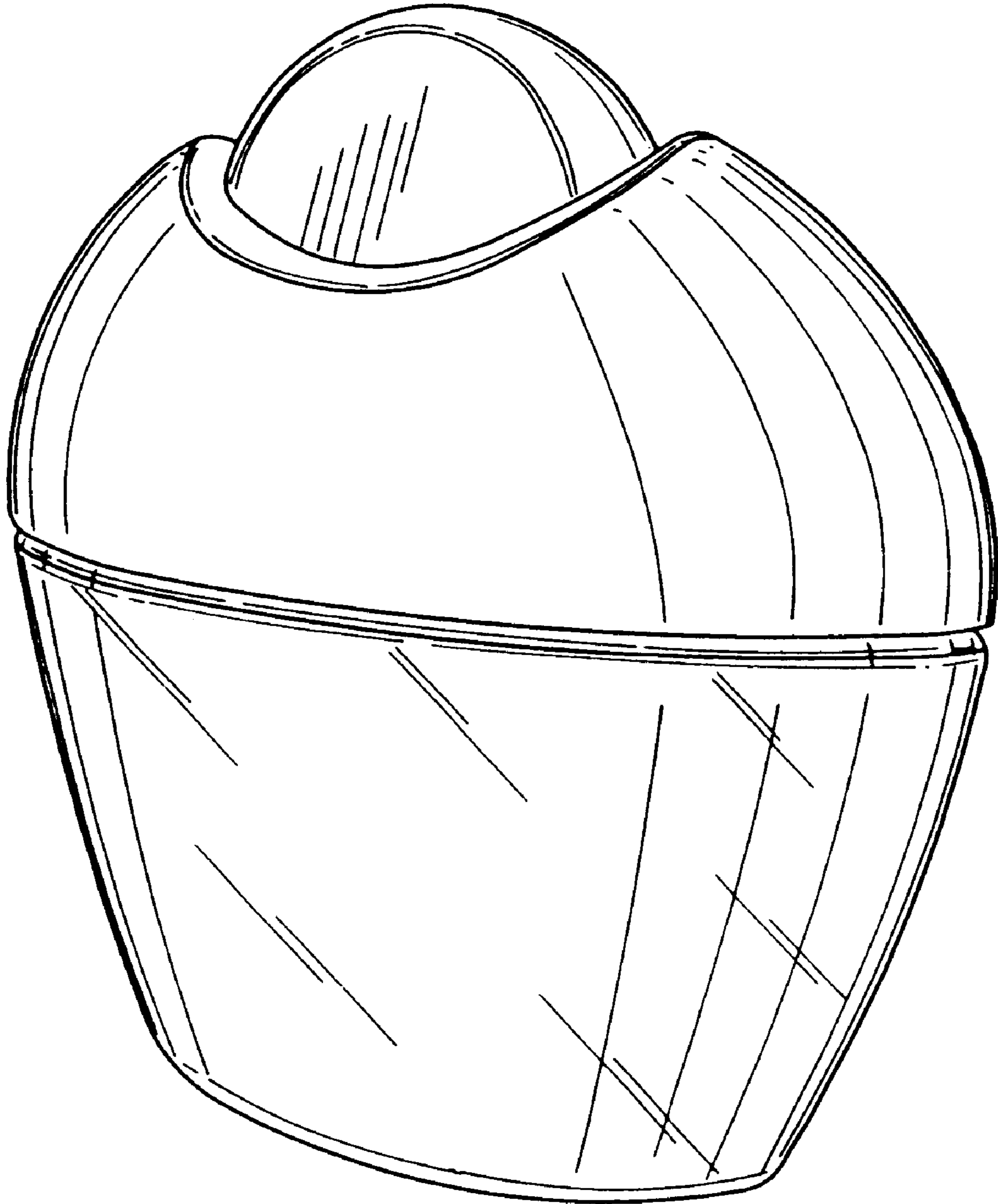


FIG. 9

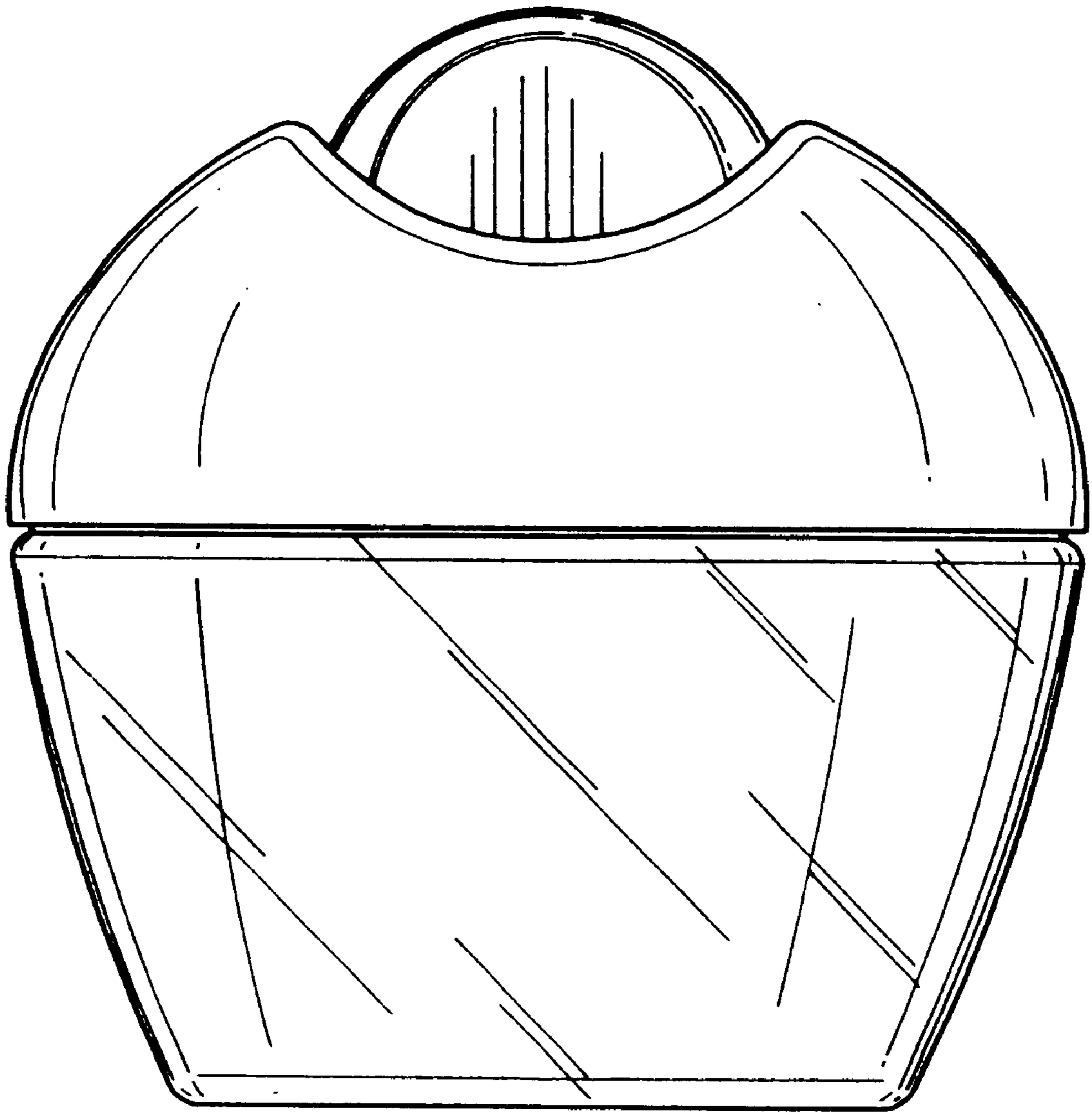


FIG. 10

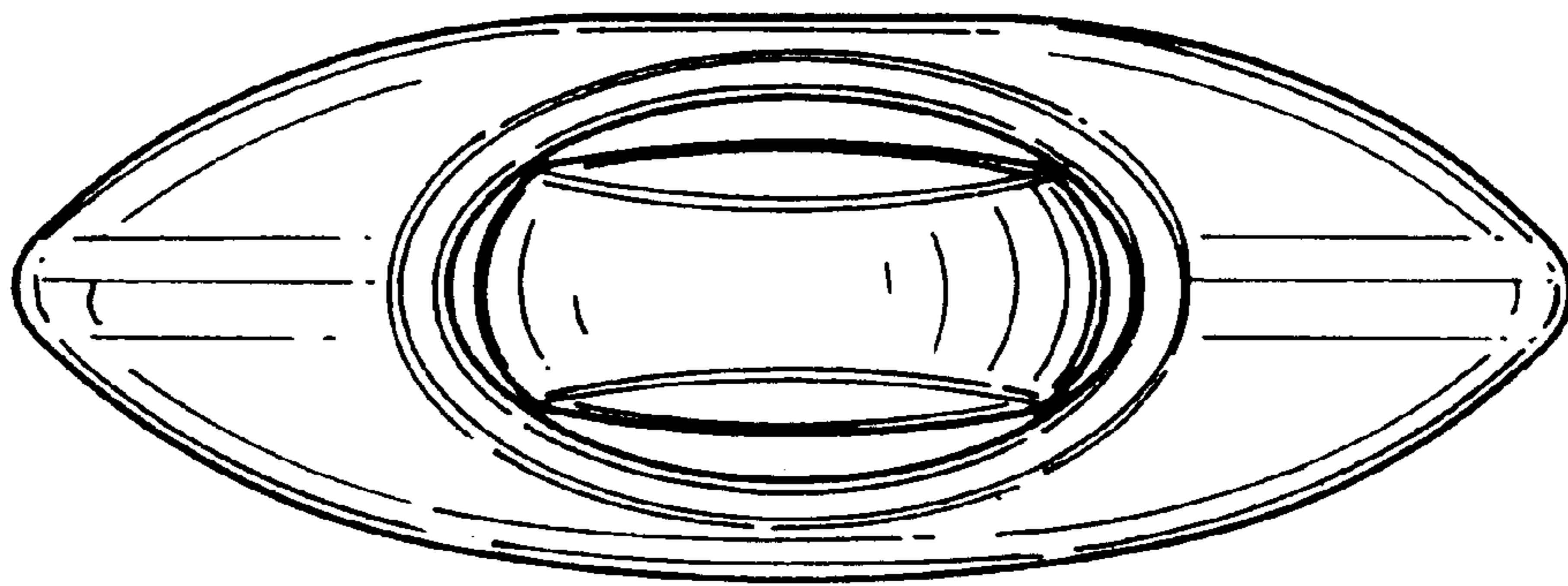


FIG. 11

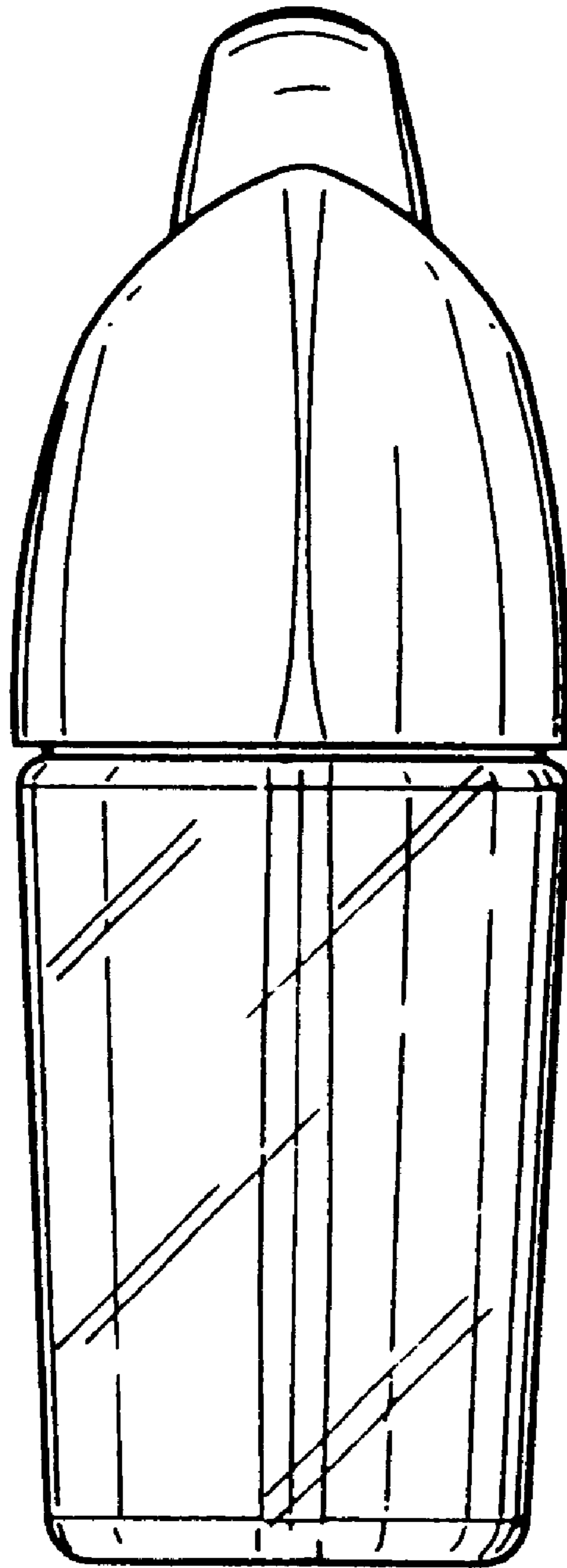


FIG. 12

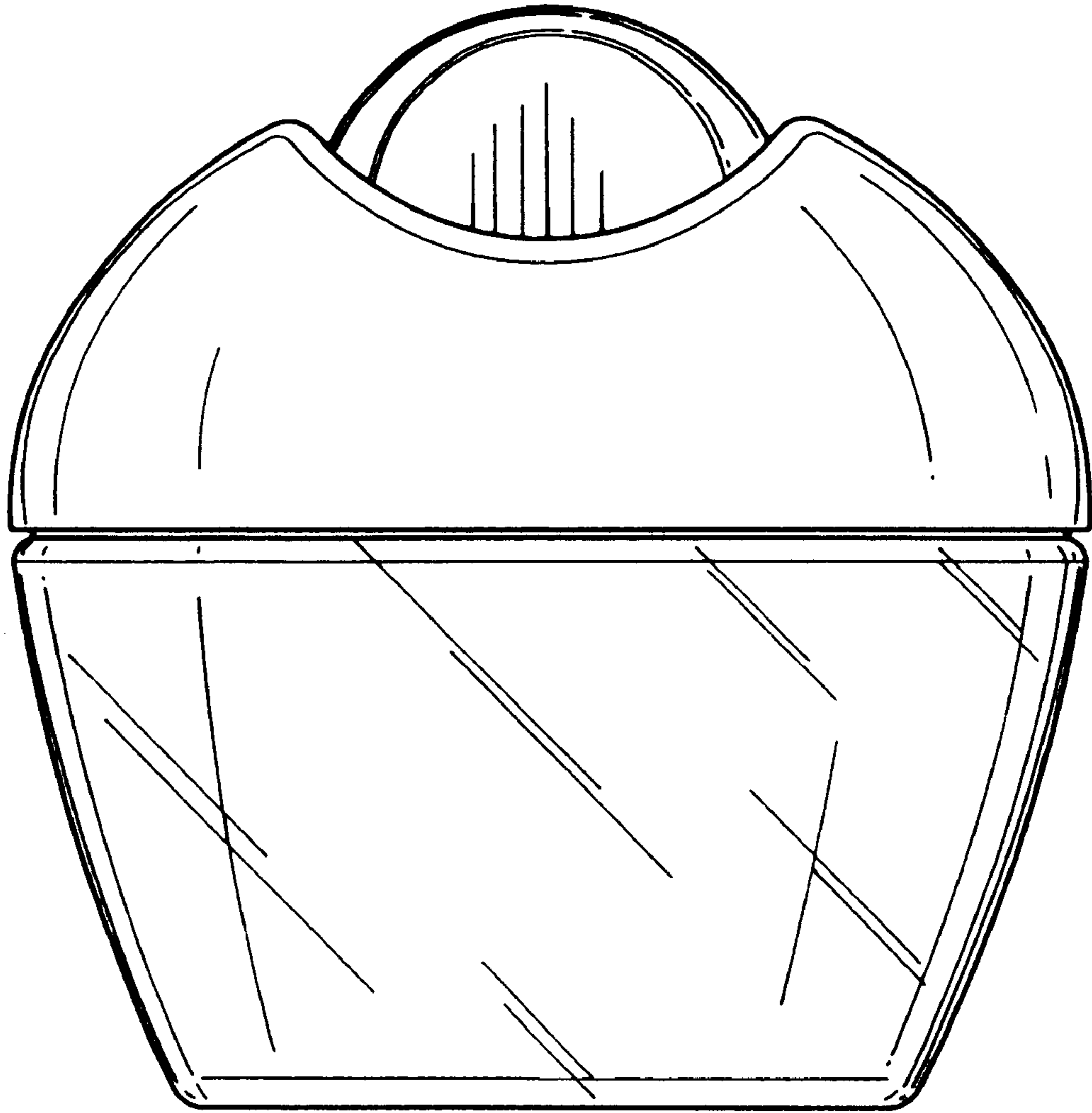


FIG. 13

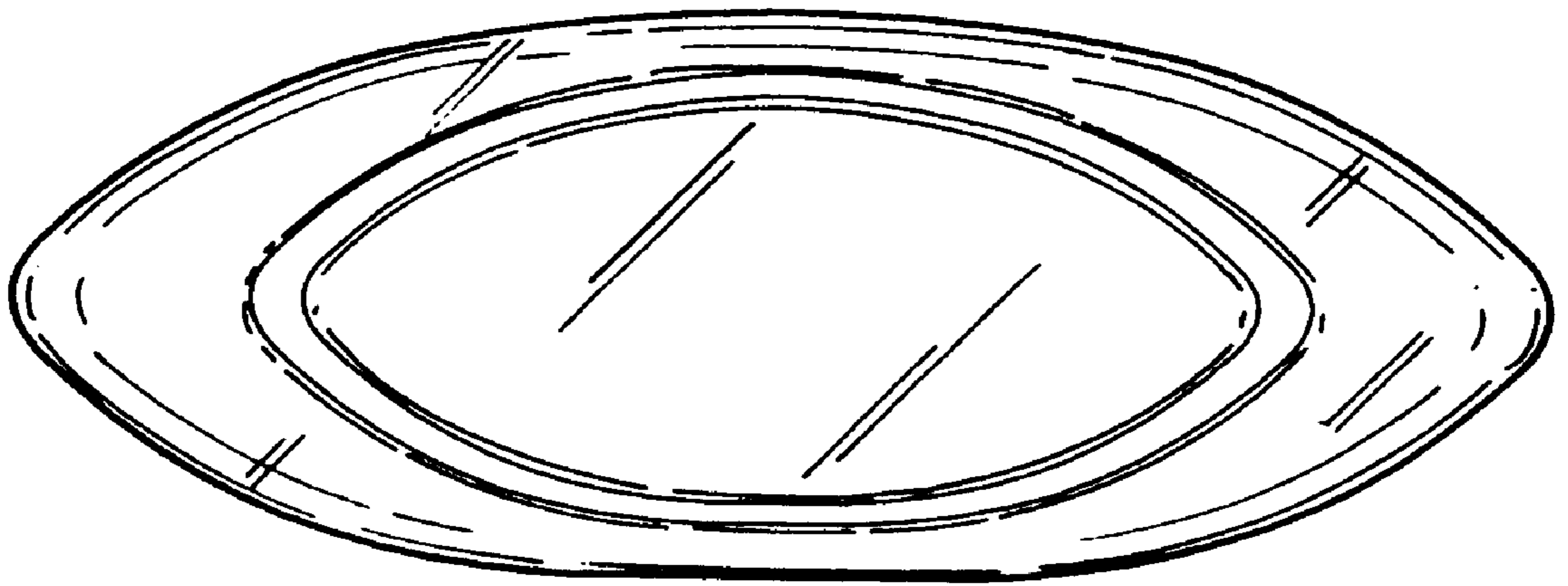


FIG. 14

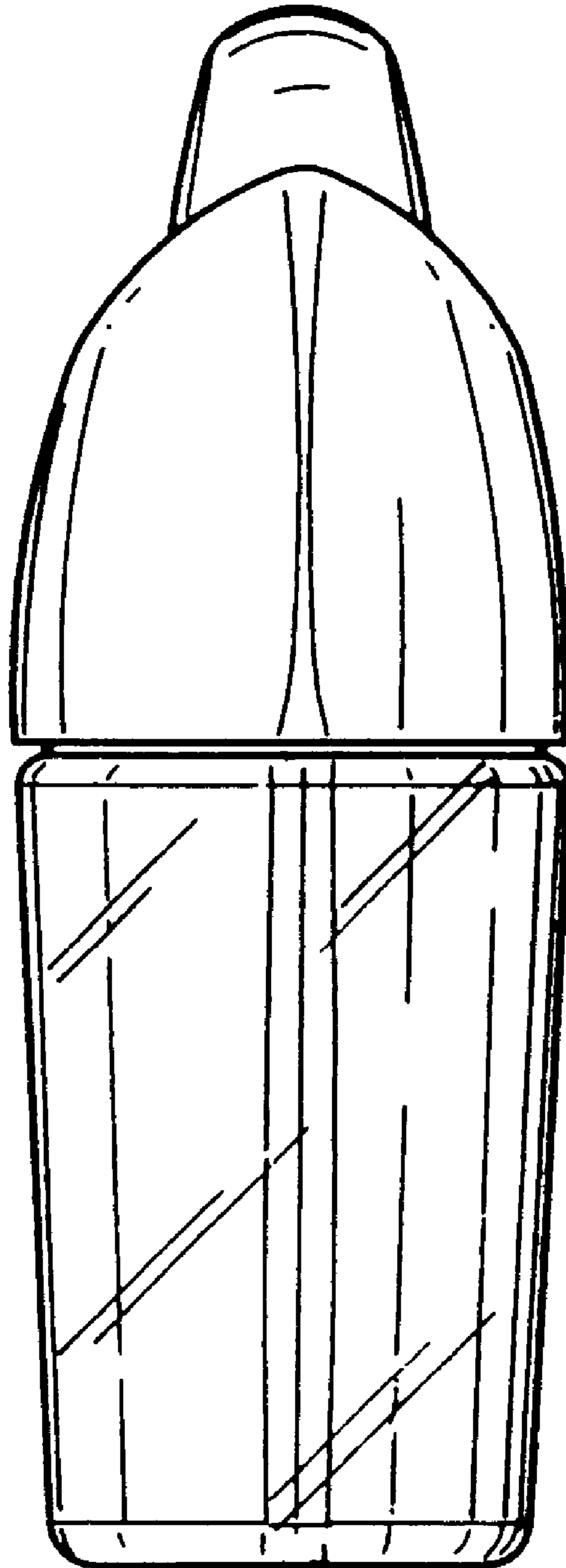


FIG. 15



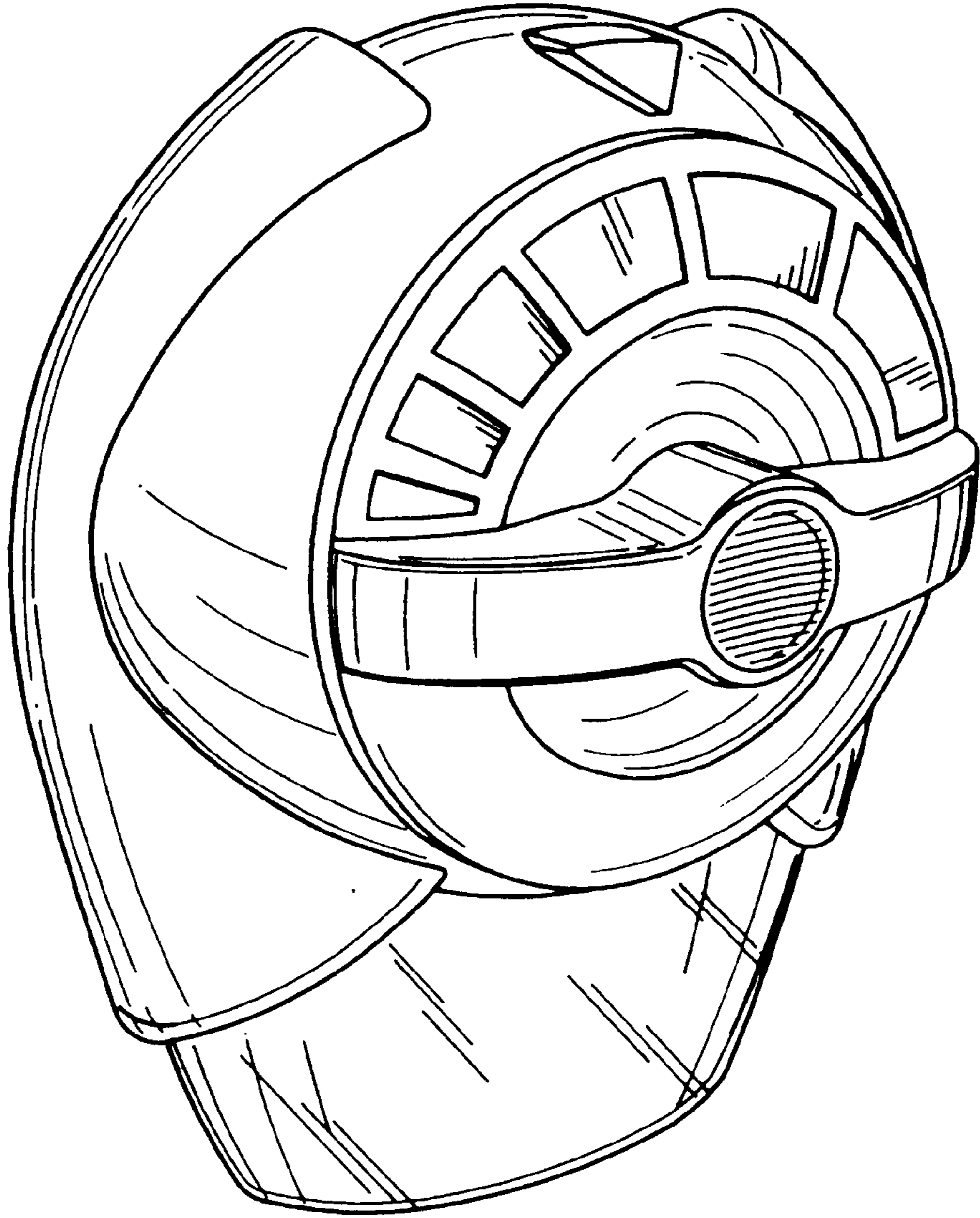


FIG. 16

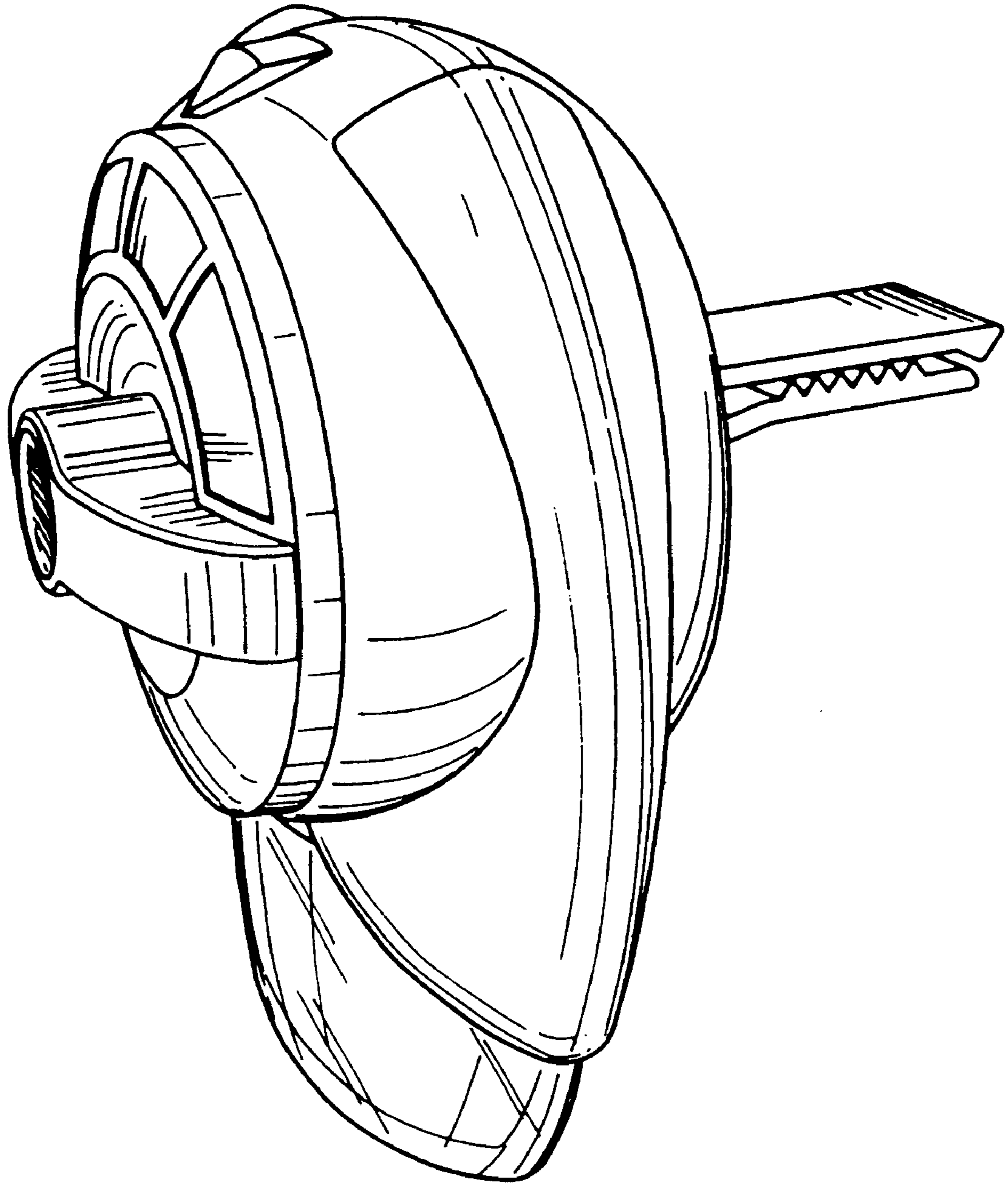


FIG. 17

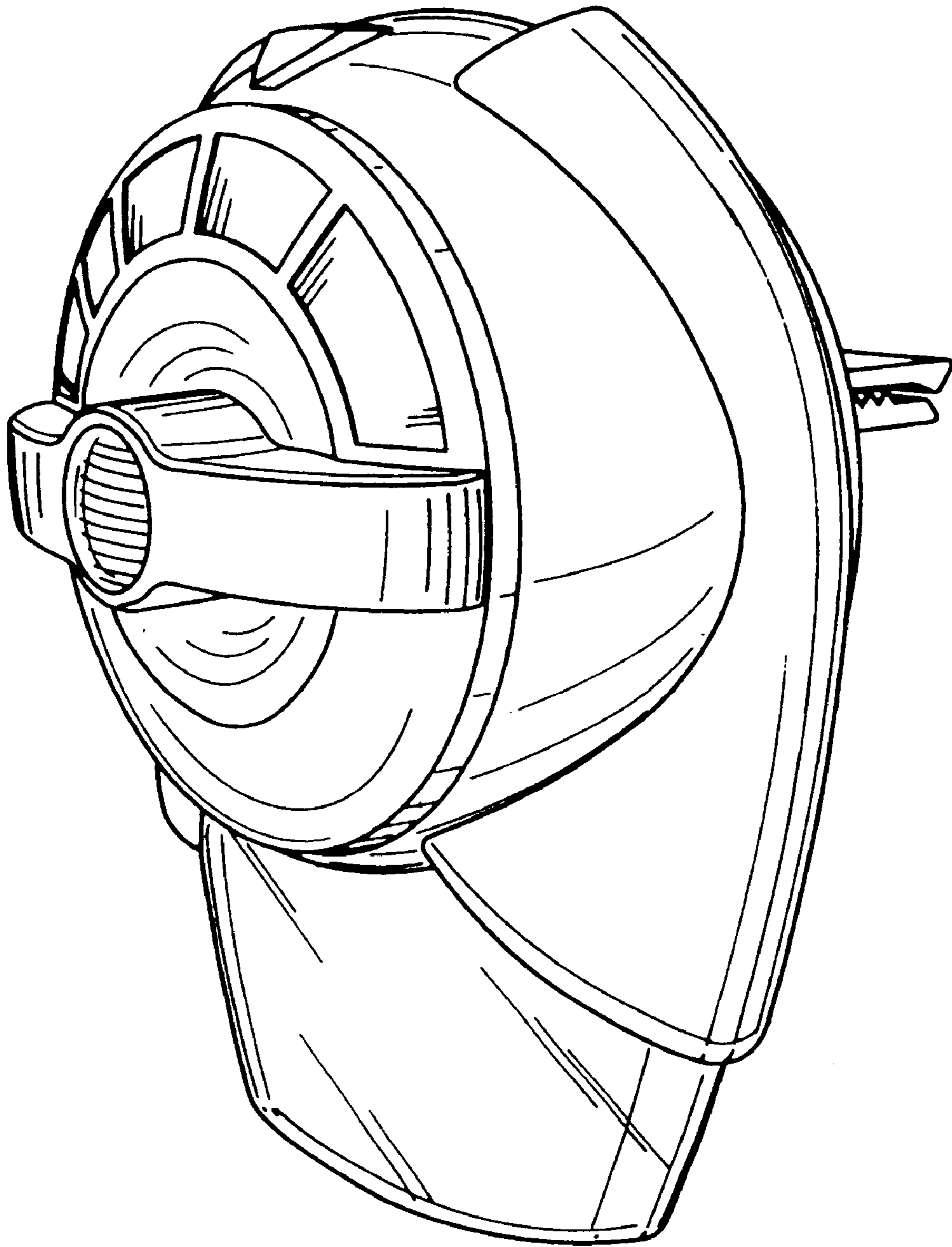


FIG. 18

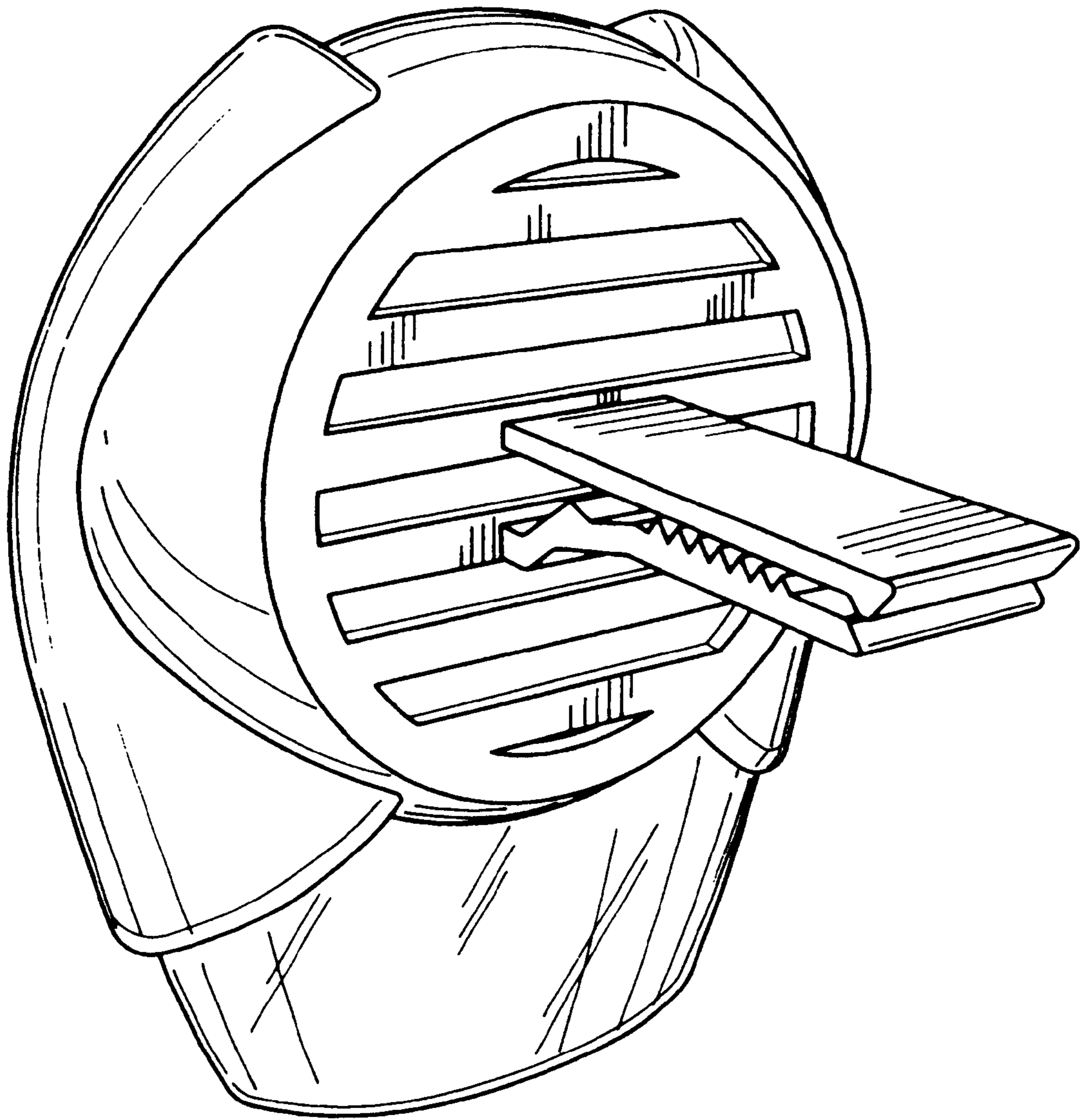


FIG. 19

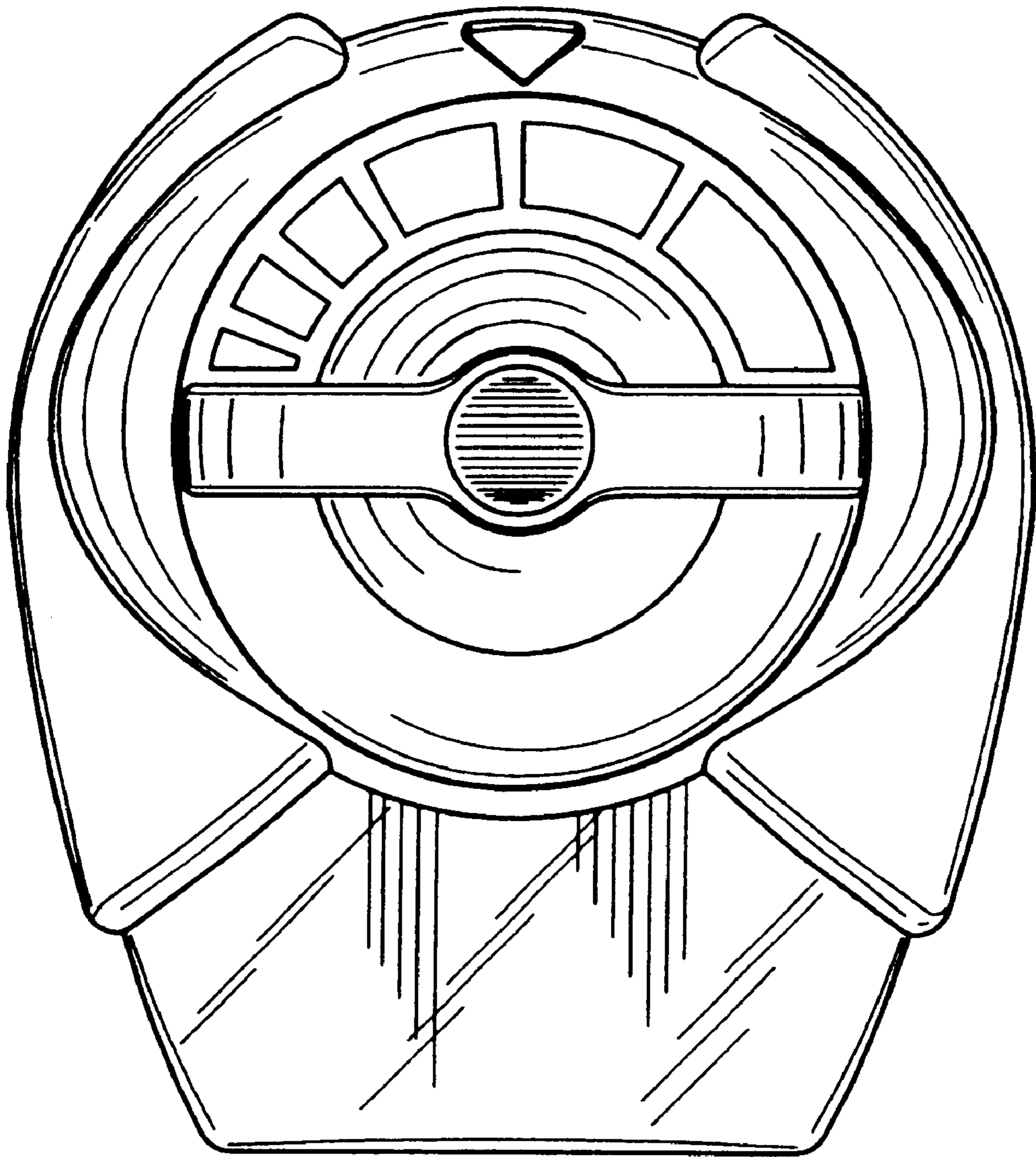


FIG. 20

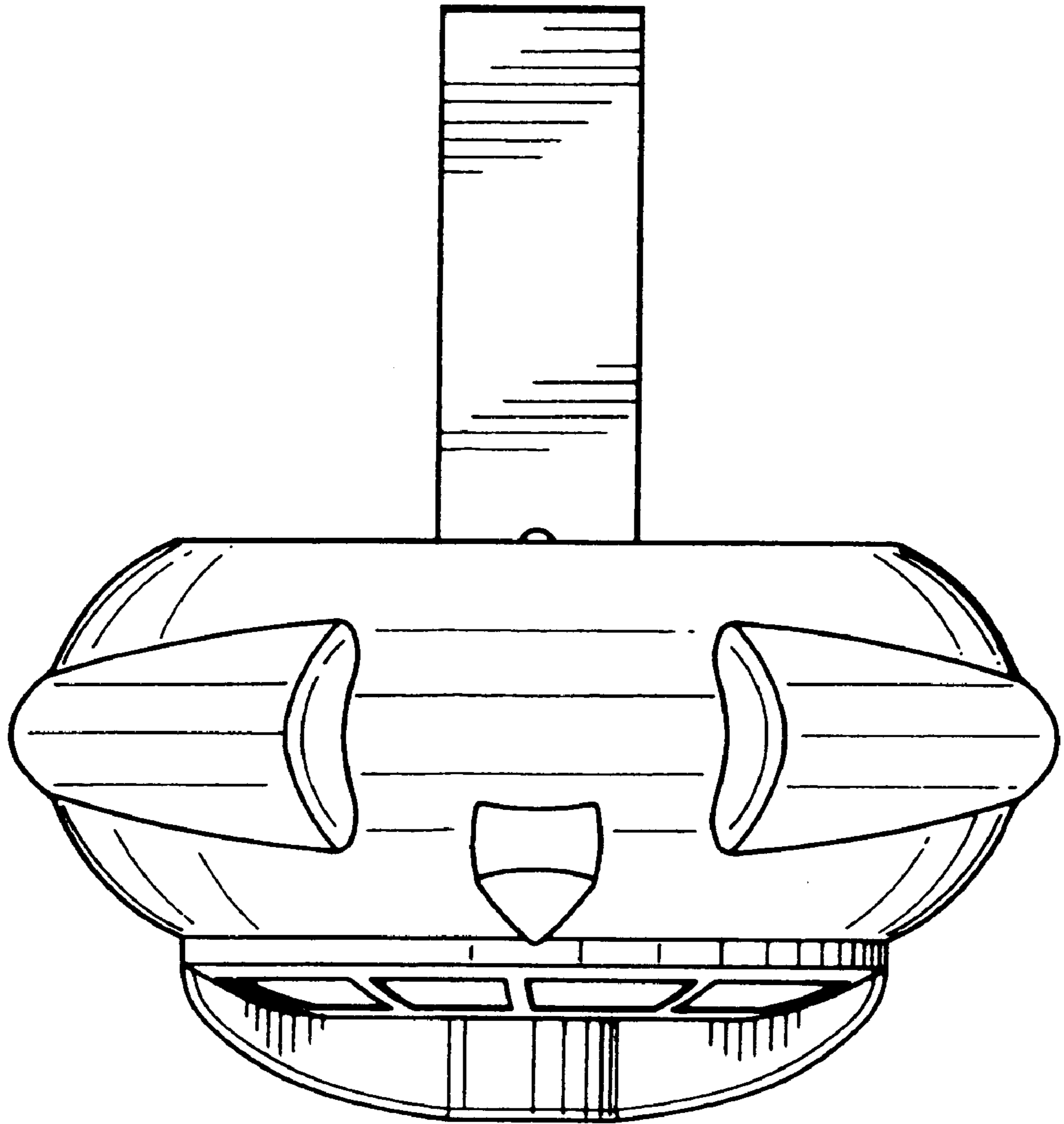


FIG. 21

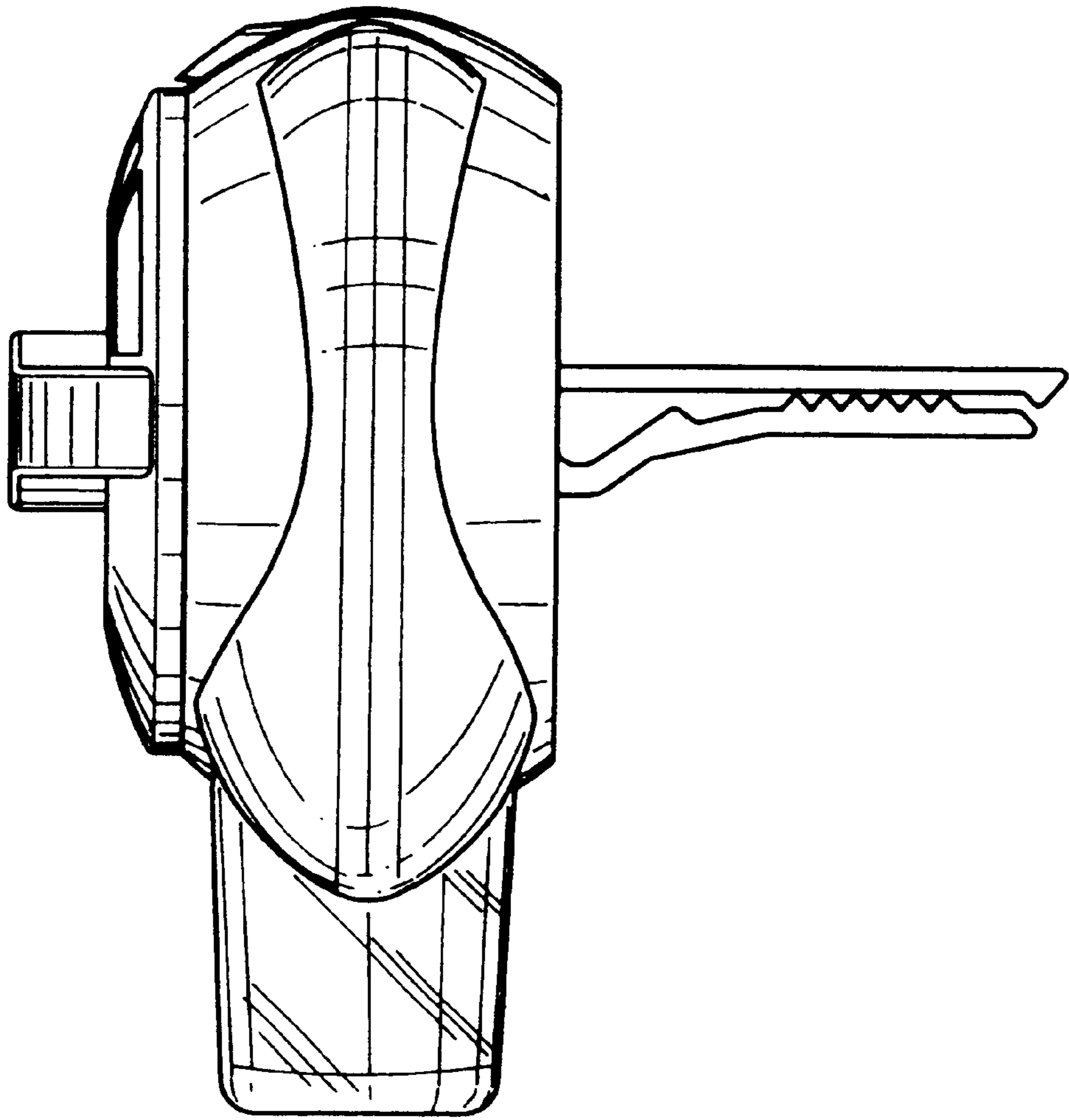


FIG. 22

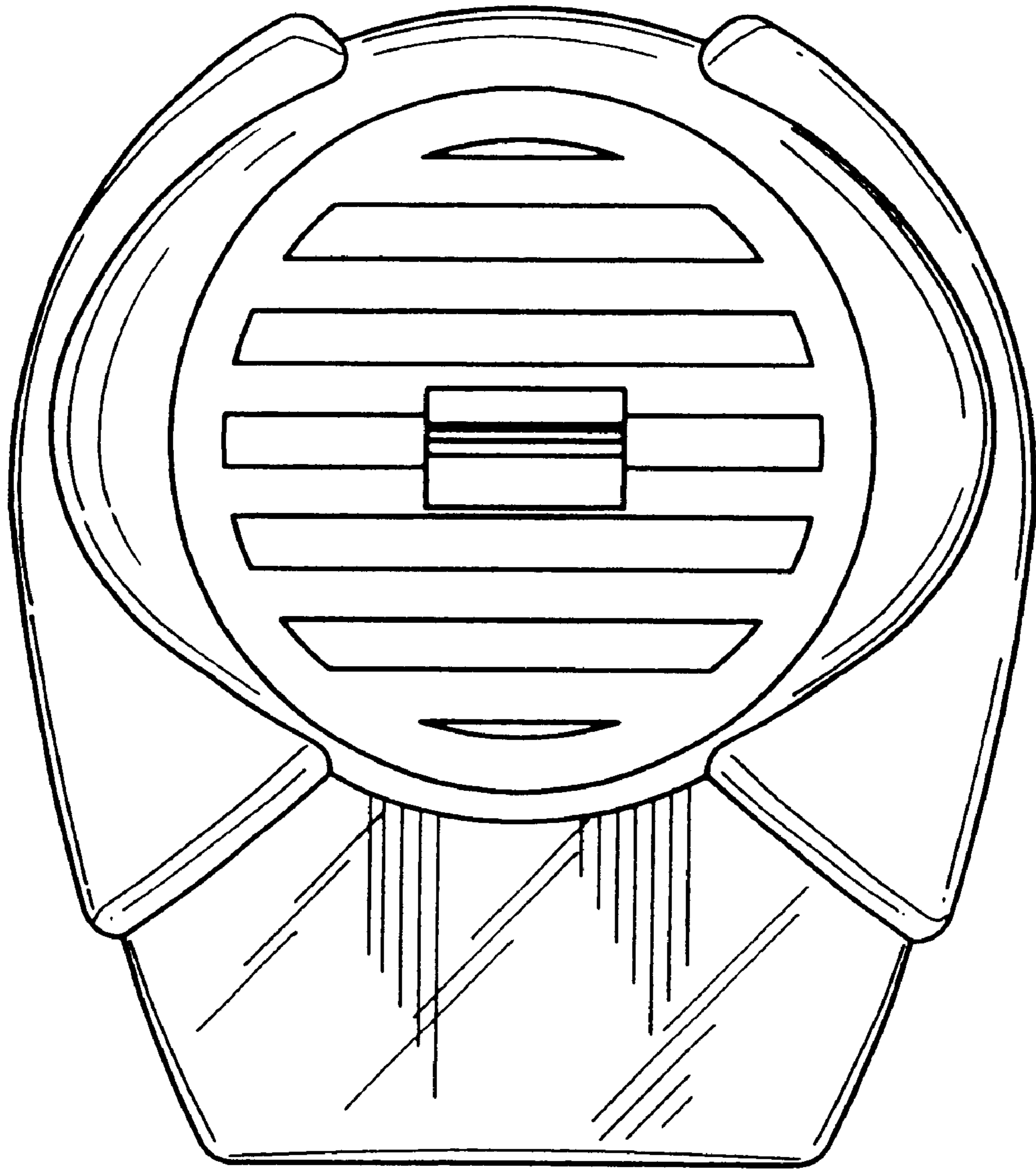


FIG. 23



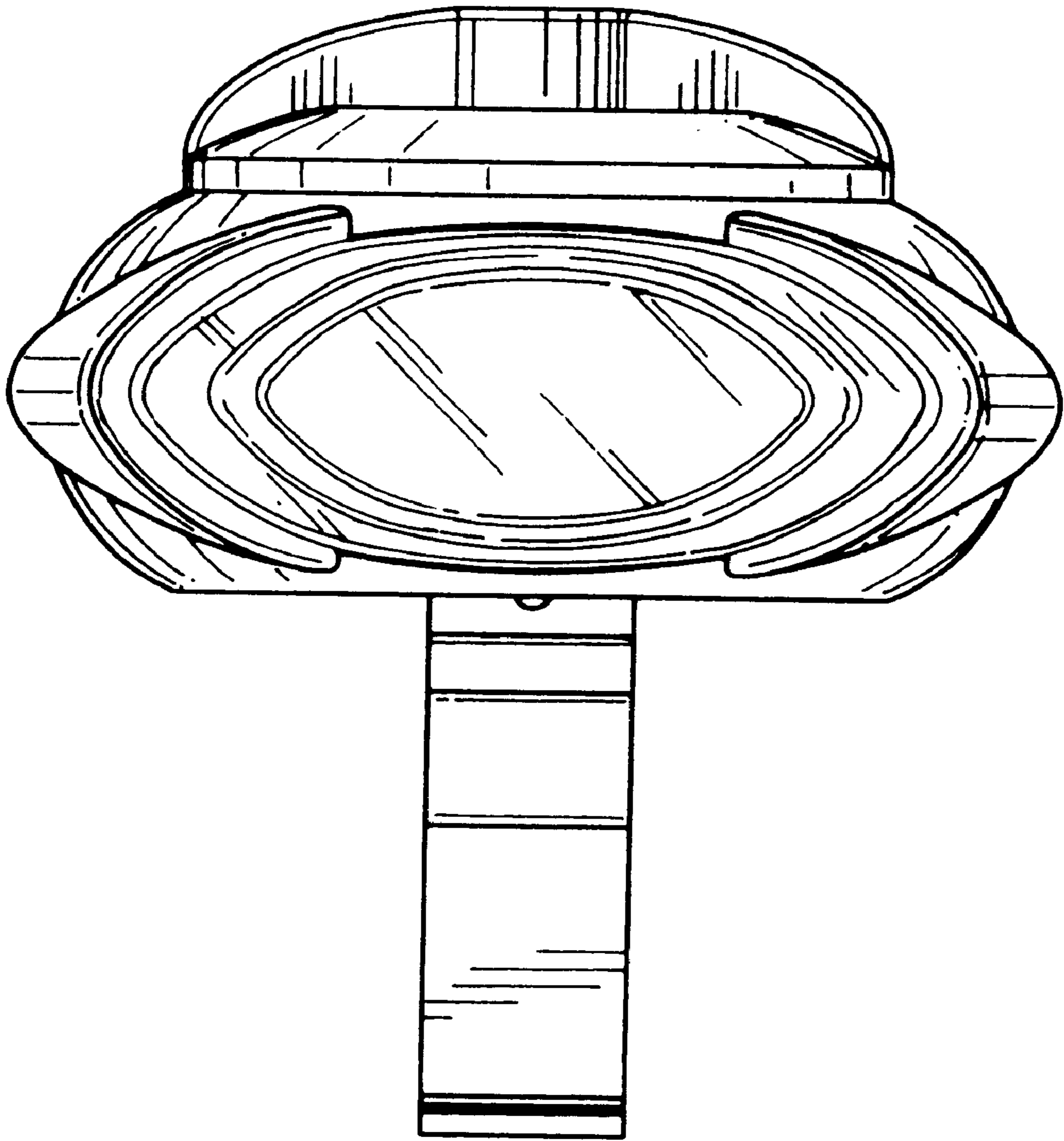


FIG. 24

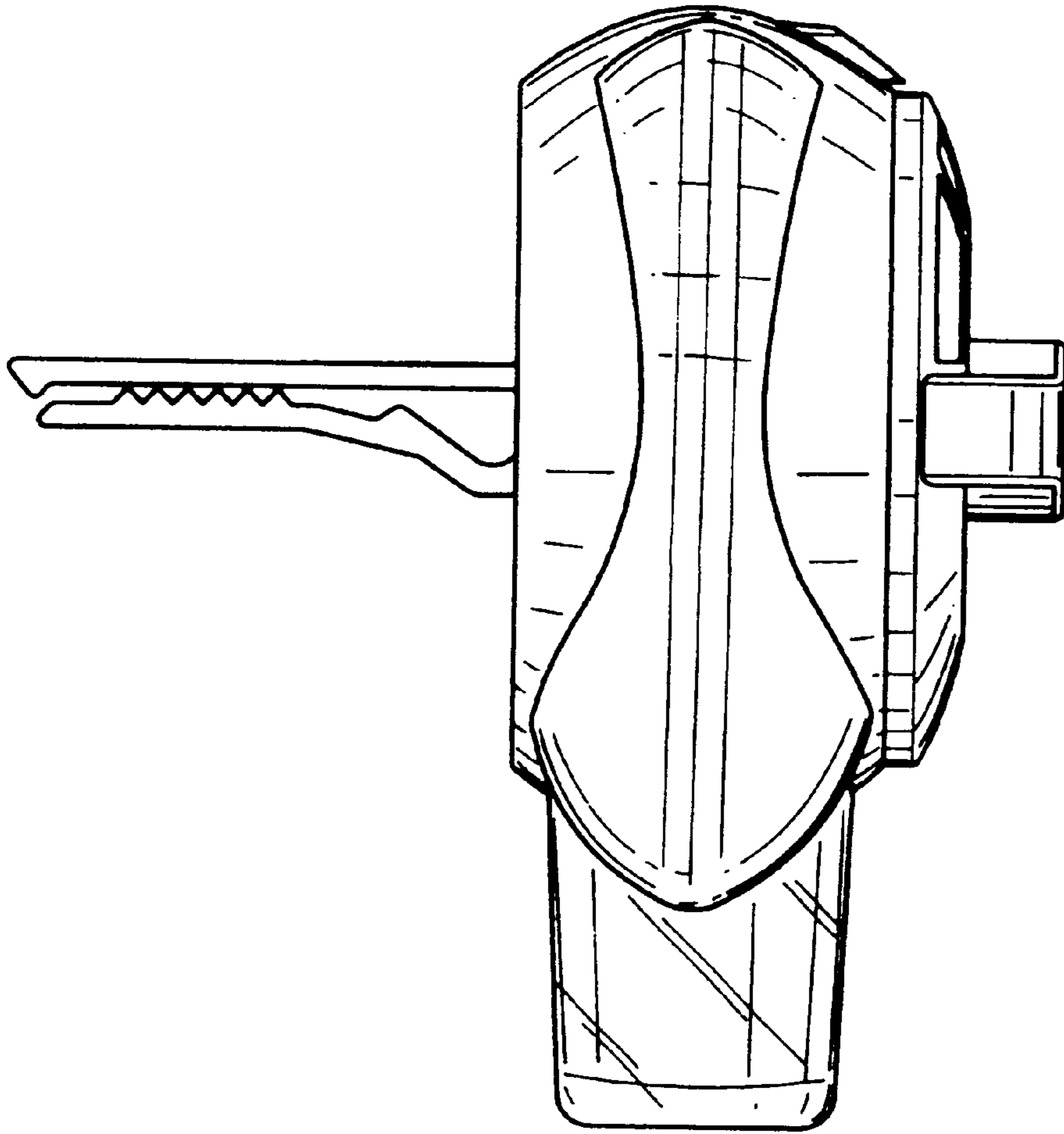


FIG. 25