



US00D483452S

(12) **United States Design Patent**
Yamamoto et al.

(10) **Patent No.:** **US D483,452 S**

(45) **Date of Patent:** **** Dec. 9, 2003**

(54) **GAS WATER HEATER**

(75) Inventors: **Nobuyuki Yamamoto**, Himeji (JP);
Hideki Yamaguchi, Kobe (JP);
Takanori Nagano, Kakogawa (JP);
Masanori Higashiuchi, Akashi (JP);
Teizo Nanbu, Kobe (JP)

(73) Assignee: **Noritz Corporation**, Hyogo (JP)

(**) Term: **14 Years**

(21) Appl. No.: **29/168,089**

(22) Filed: **Sep. 26, 2002**

(51) **LOC (7) Cl.** **23-03**

(52) **U.S. Cl.** **D23/320**

(58) **Field of Search** D23/318, 320,
D23/321; D13/184; 220/3.3, 3.8; 392/449,
319; 126/344, 350 D; 122/494, DIG. 4

(56) **References Cited**

U.S. PATENT DOCUMENTS

1,363,947 A * 12/1920 Youngblood 392/319
2,603,546 A * 7/1952 Lais 220/3.8

D262,649 S * 1/1982 Owen D23/318

D294,288 S * 2/1988 Blanco D23/318

D408,823 S * 4/1999 Kirby D13/184

D452,487 S * 12/2001 Kaplan D13/184

D459,452 S * 6/2002 Blanco, Jr. D23/318

* cited by examiner

Primary Examiner—B. J. Bullock

(74) *Attorney, Agent, or Firm*—Wood, Phillips, Katz, Clark
& Mortimer

(57) **CLAIM**

The ornamental design for a gas water heater, as shown and described.

DESCRIPTION

FIG. 1 is a front, top and right side perspective view of our design for gas water heater;
FIG. 2 is a front elevation view thereof;
FIG. 3 is a rear elevation view thereof;
FIG. 4 is a left side elevation view thereof;
FIG. 5 is a right side elevation view thereof;
FIG. 6 is a plan view thereof; and,
FIG. 7 is a bottom view thereof.

1 Claim, 6 Drawing Sheets

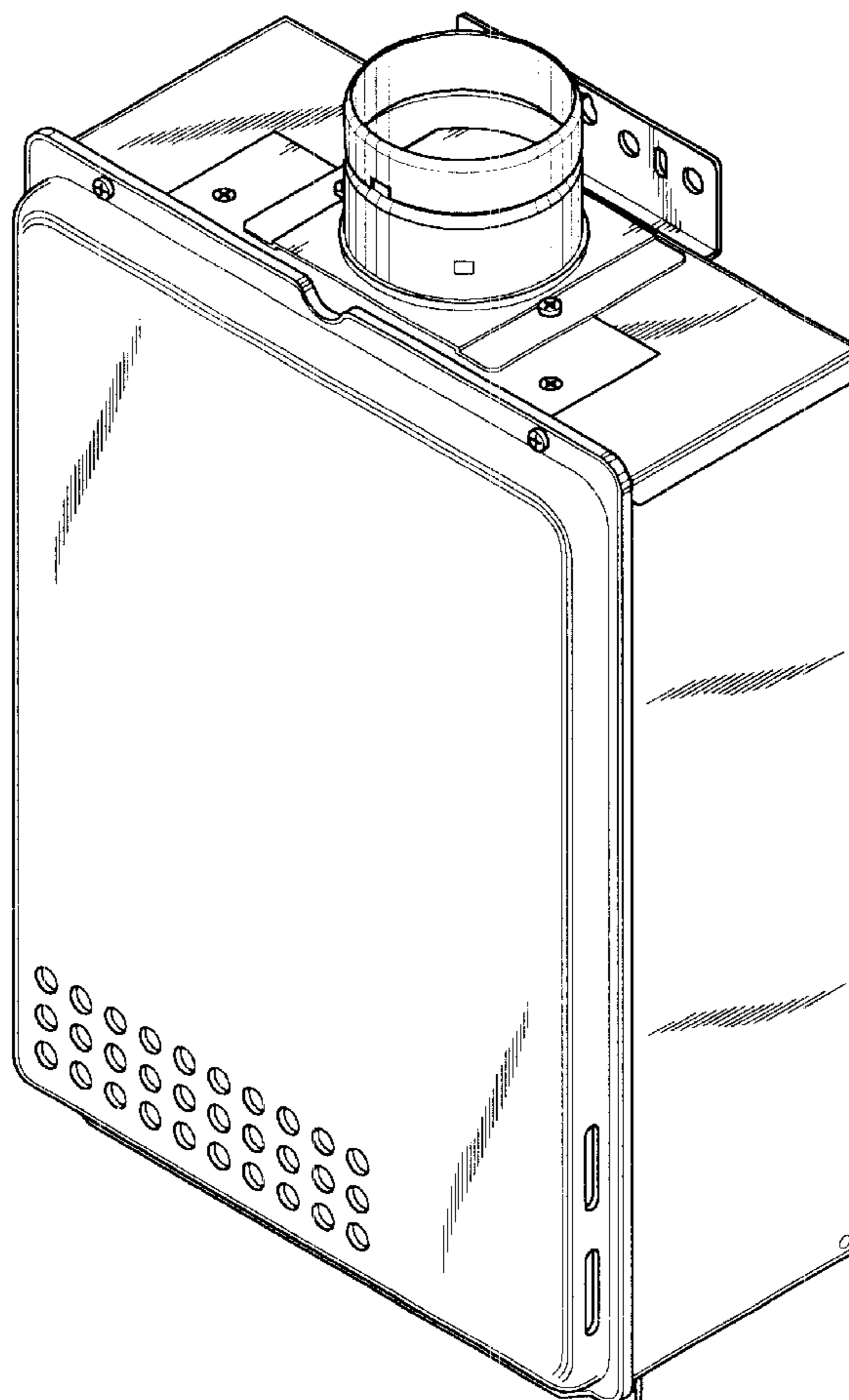


Fig. 1

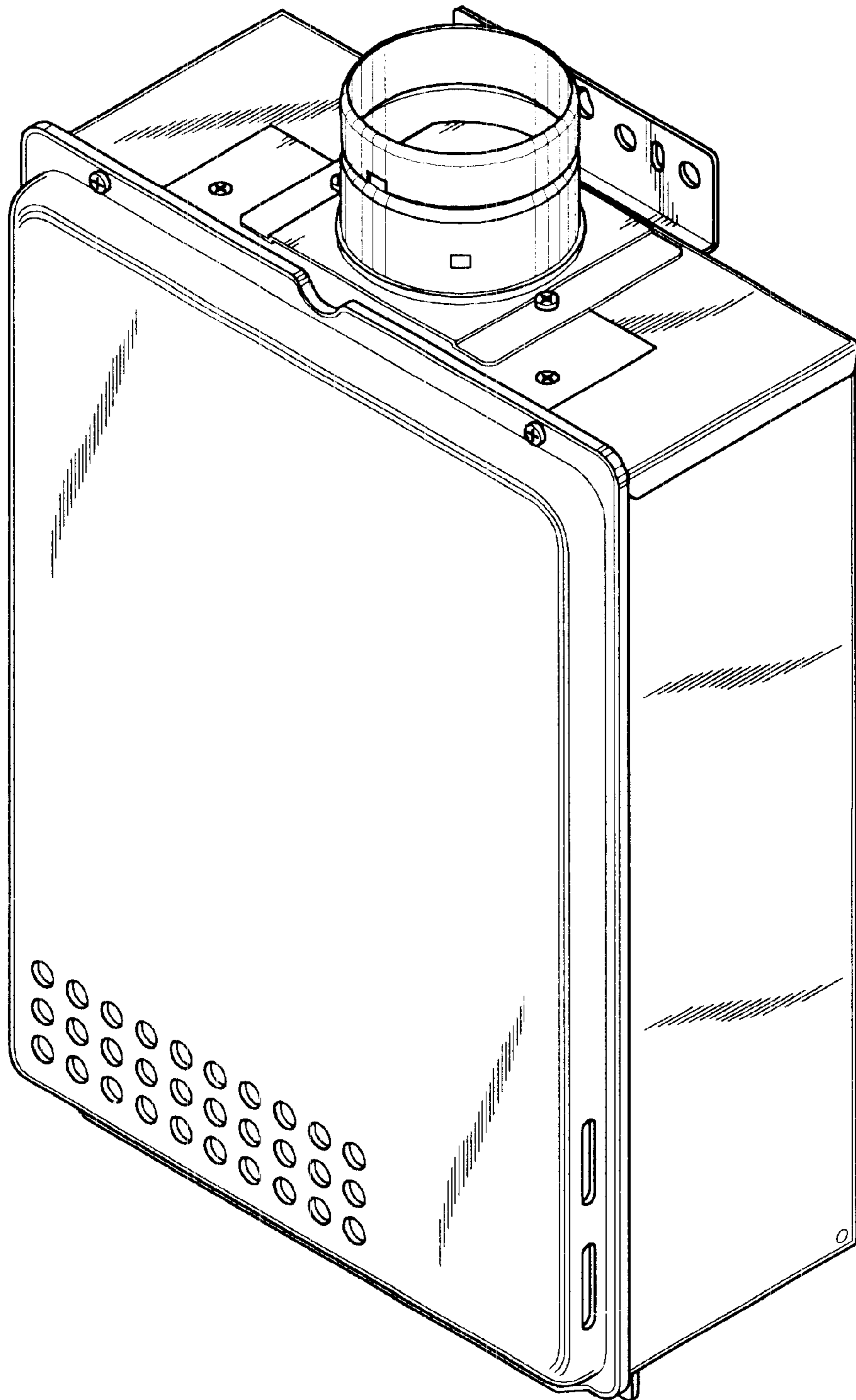


Fig. 2

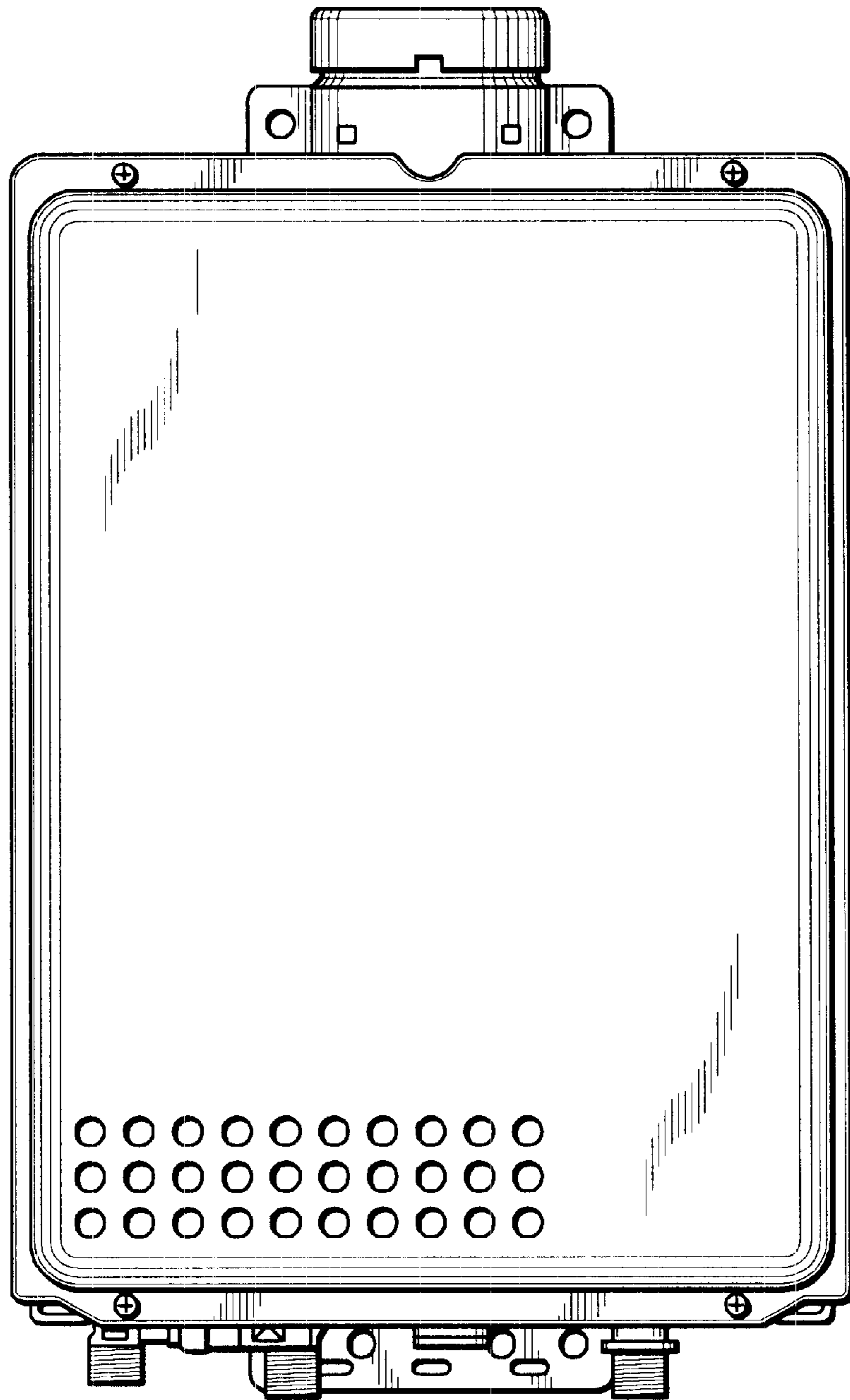


Fig. 3

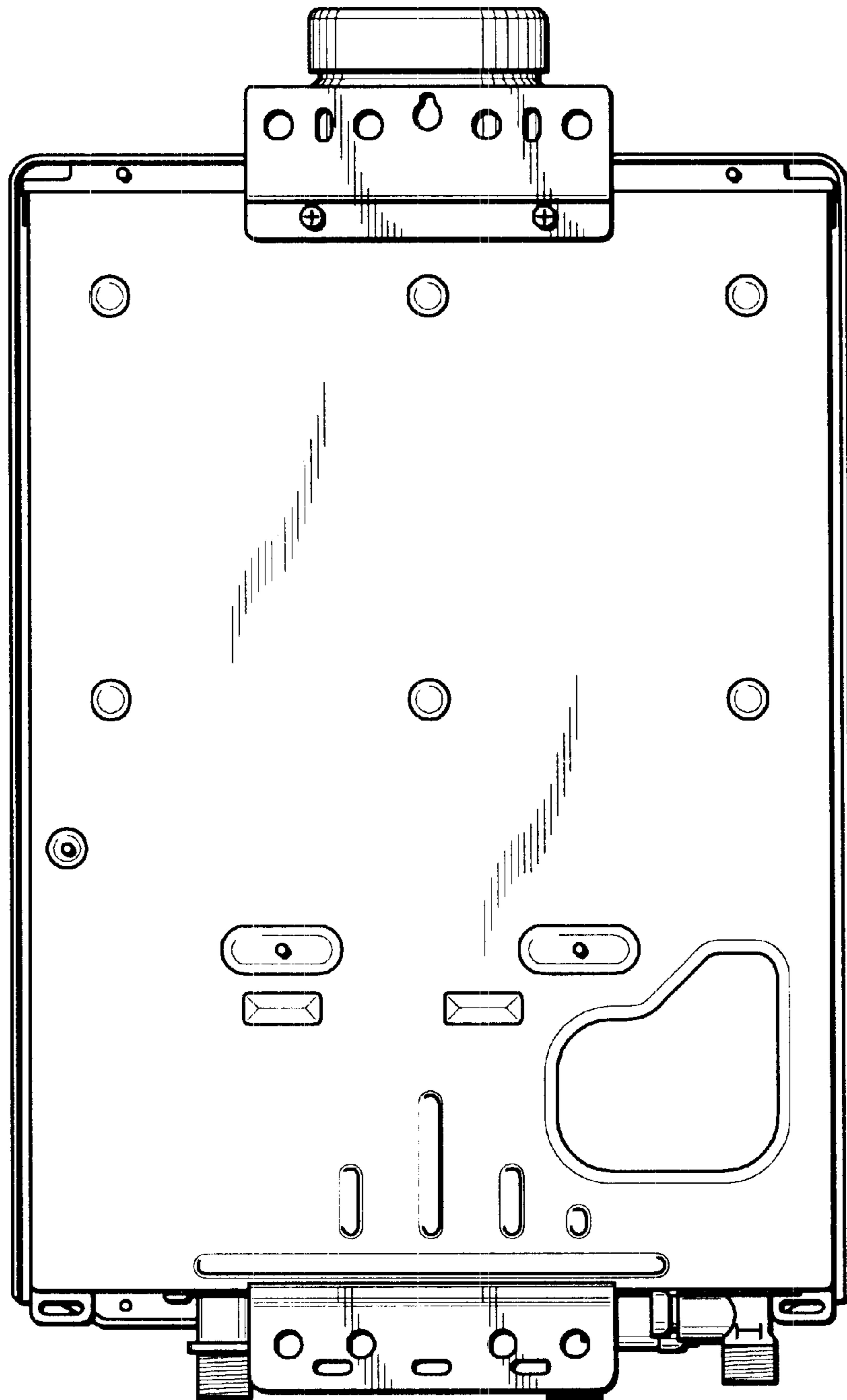


Fig. 4

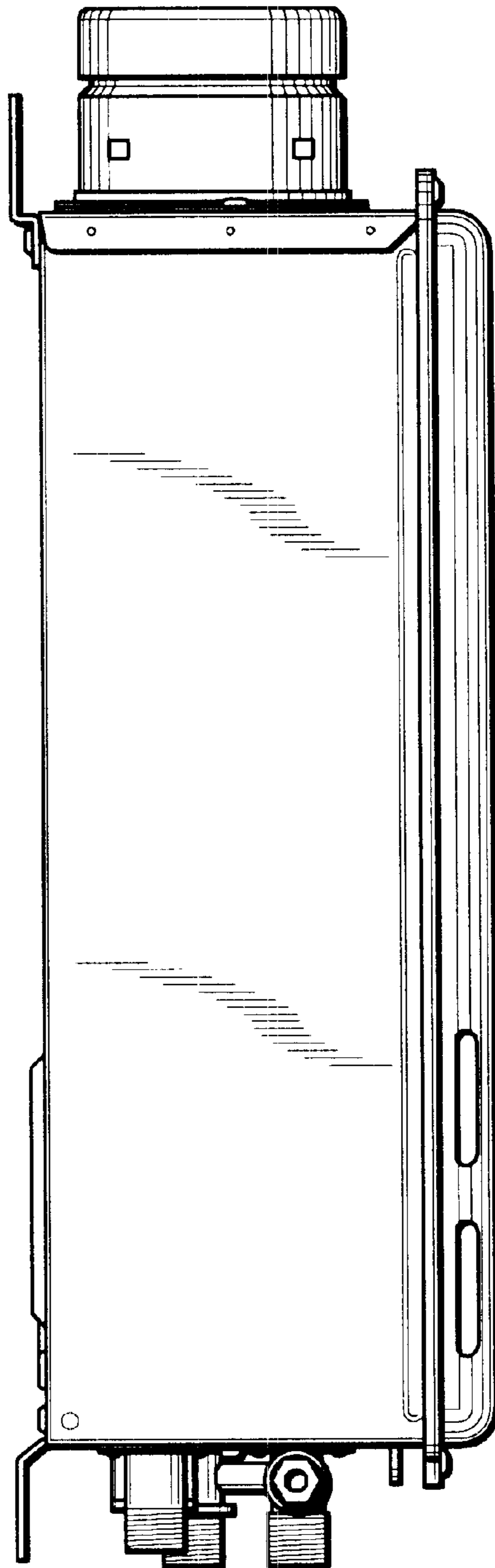


Fig. 5

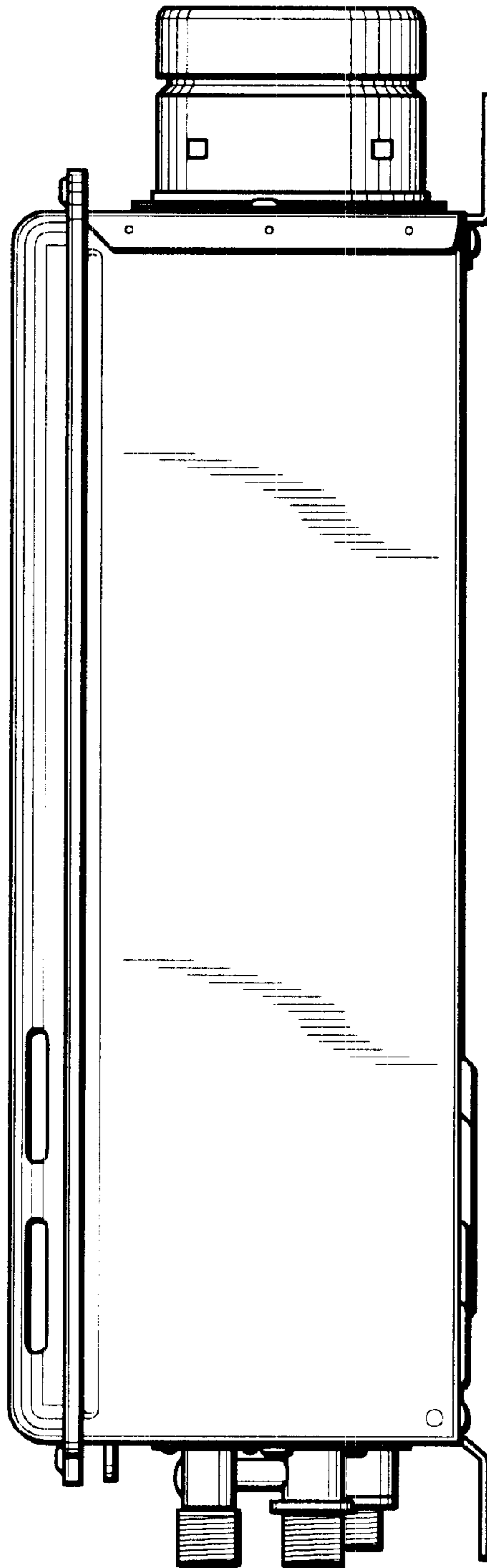


Fig. 6

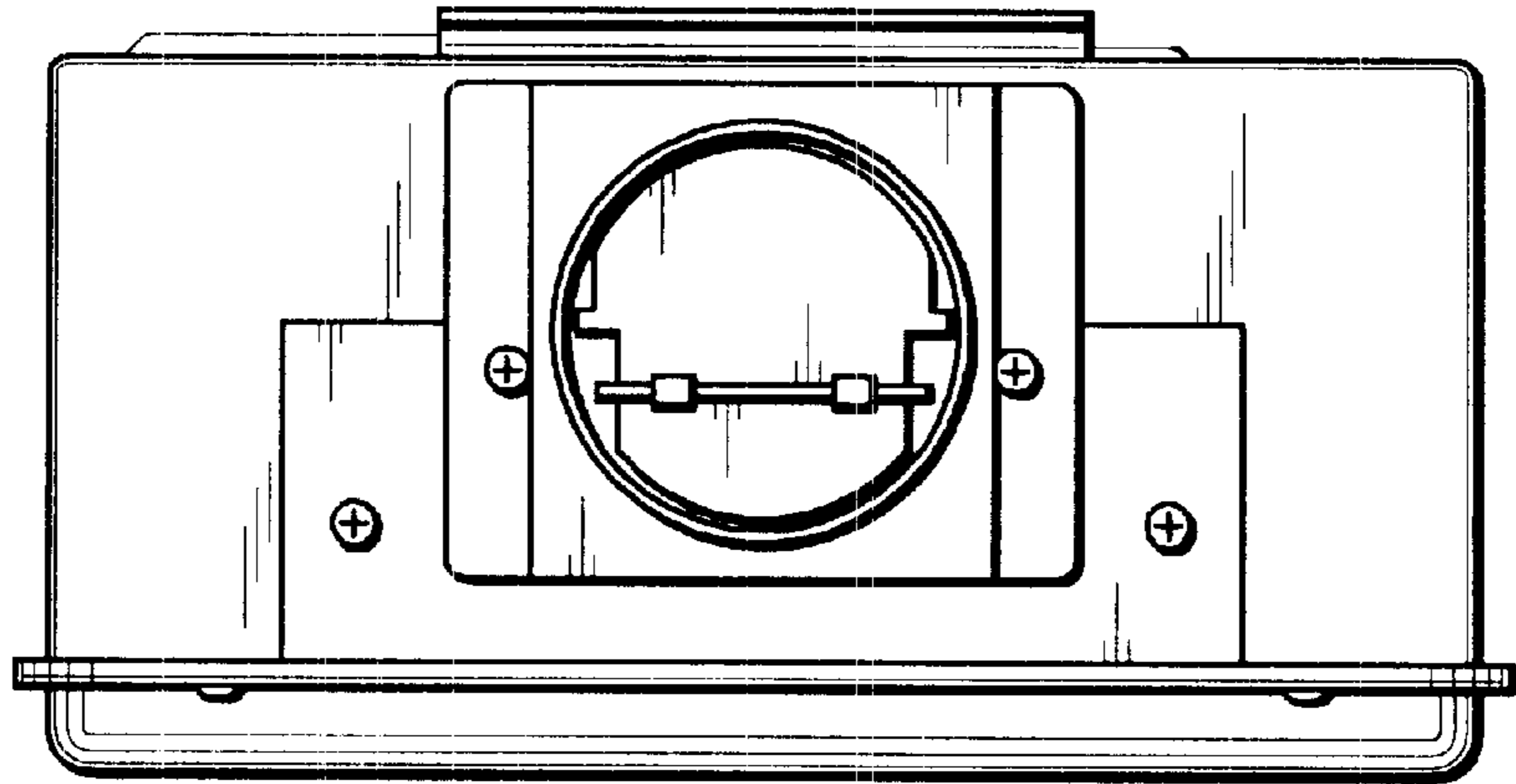


Fig. 7

