



US00D483450S

(12) **United States Design Patent**  
**Moore**

(10) **Patent No.: US D483,450 S**

(45) **Date of Patent: \*\* Dec. 9, 2003**

(54) **TOILET SEAT LIFT ASSEMBLY**

(76) **Inventor: Loyd W. Moore, 6544 Denver Ave.,  
Hanford, CA (US) 93230**

(\*\*) **Term: 14 Years**

(21) **Appl. No.: 29/171,059**

(22) **Filed: Nov. 15, 2002**

(51) **LOC (7) Cl. .... 23-02**

(52) **U.S. Cl. .... D23/309**

(58) **Field of Search ..... D23/295, 309,  
D23/300, 311; 4/217, 246.1, 246.3, 246.5**

(56) **References Cited**

**U.S. PATENT DOCUMENTS**

1,511,533	A	*	10/1924	Staszak	.....	4/246.5
1,999,070	A	*	4/1935	Svedelius	.....	4/246.5
3,345,650	A	*	10/1967	Waters	.....	4/246.5
3,417,411	A	*	12/1968	Greenwood	.....	4/246.3
3,504,385	A	*	4/1970	Fields	.....	4/246.5
D341,416	S	*	11/1993	Blair	.....	D23/311

5,404,595 A \* 4/1995 Carmel ..... 4/246.1

5,487,192 A \* 1/1996 Hodges ..... 4/246.3

5,488,743 A \* 2/1996 Alfonso ..... 4/246.1

D389,231 S \* 1/1998 Yarbrough et al. .... D23/303

D423,089 S \* 4/2000 Huerta et al. .... D23/311

\* cited by examiner

*Primary Examiner*—Louis S. Zarfes

*Assistant Examiner*—Robert A. Delehanty

(57) **CLAIM**

The ornamental design for a toilet seat lift assembly, as shown and described.

**DESCRIPTION**

FIG. 1 is a front elevational view of a toilet seat lift assembly showing my new design;

FIG. 2 is a rear elevational view thereof;

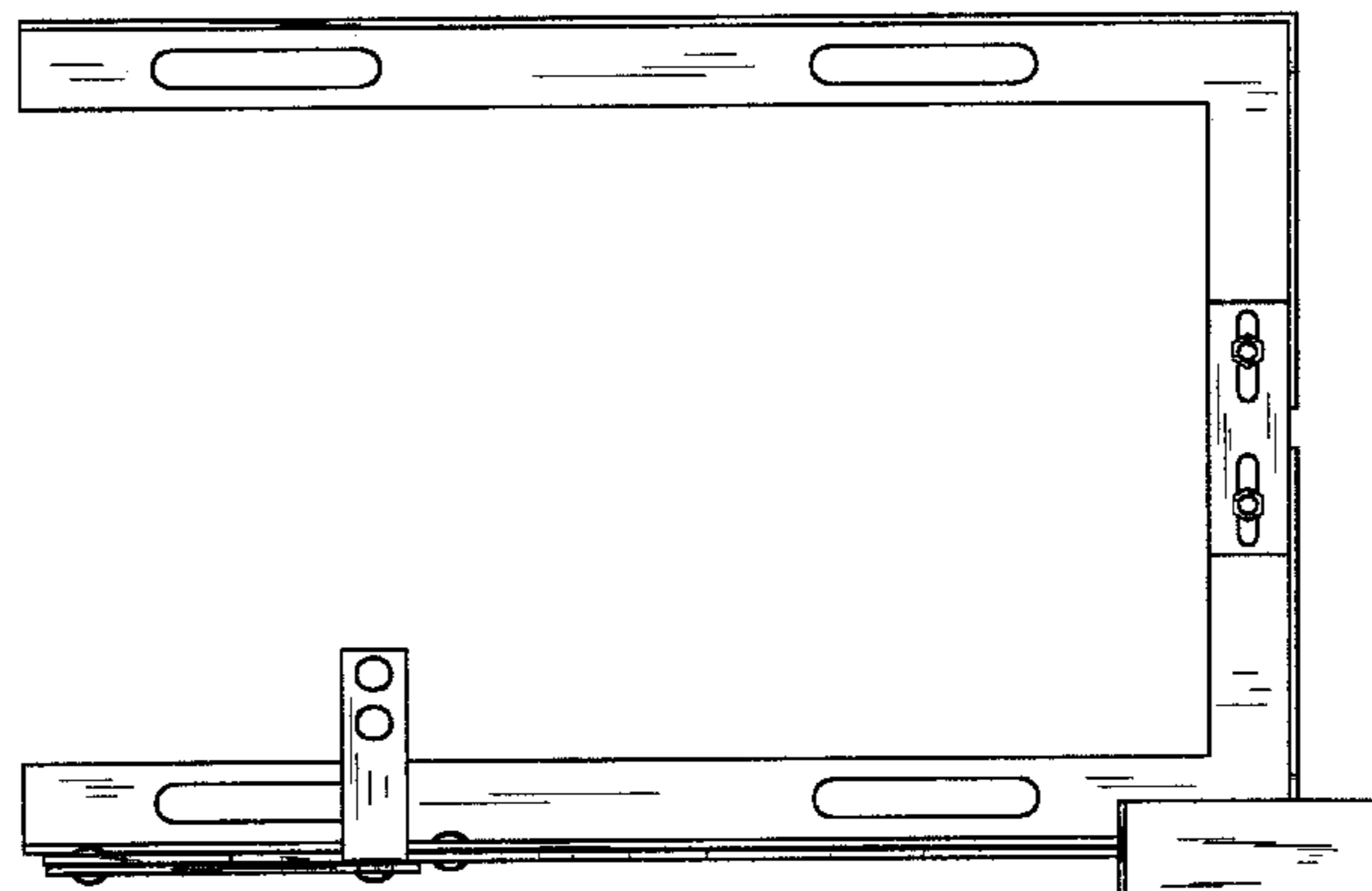
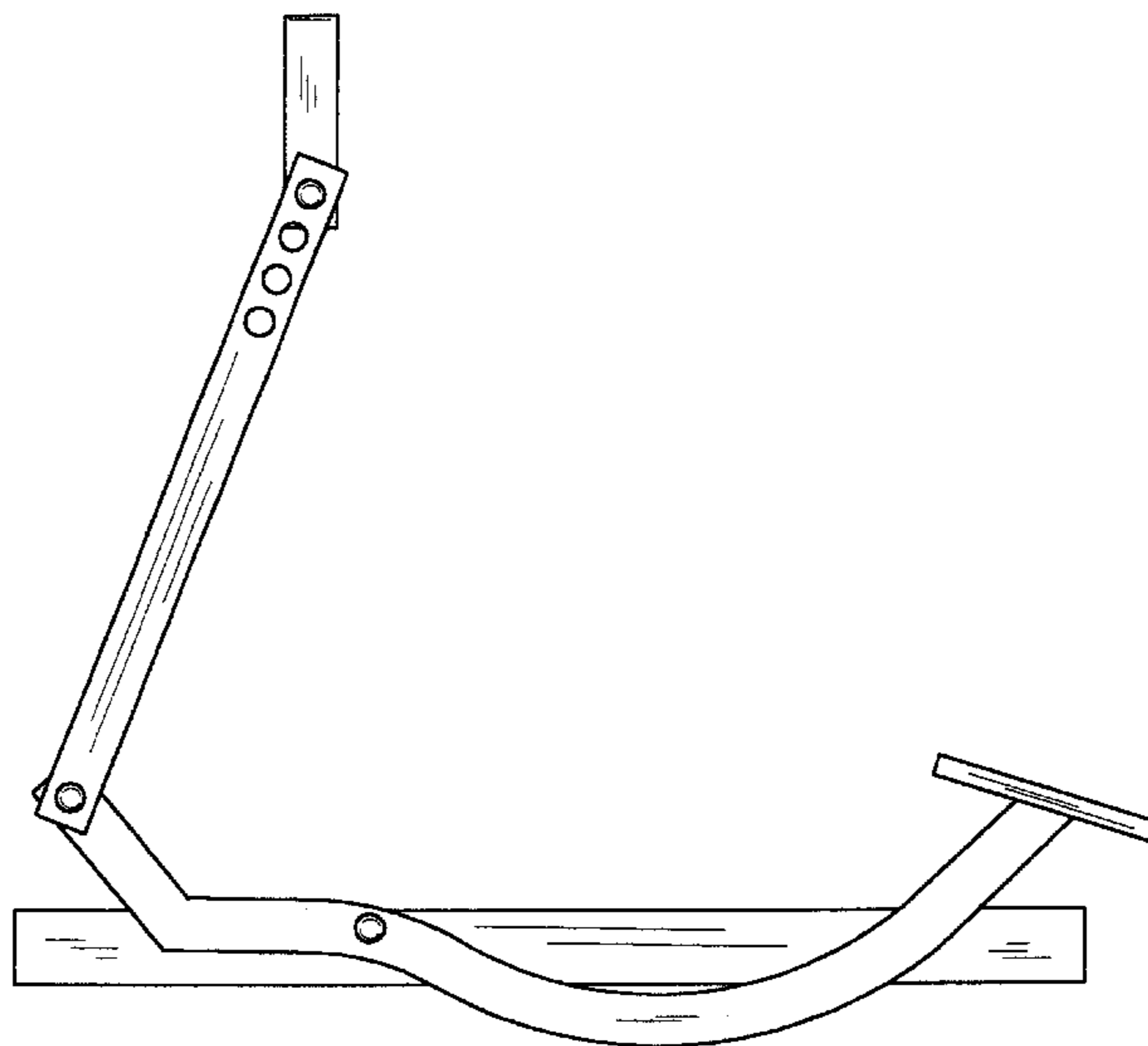
FIG. 3 is a side view, taken from the left side of FIG. 1;

FIG. 4 is a side view, taken from the right side of FIG. 1;

FIG. 5 is a top plan view thereof; and,

FIG. 6 is a bottom plan view thereof.

**1 Claim, 5 Drawing Sheets**



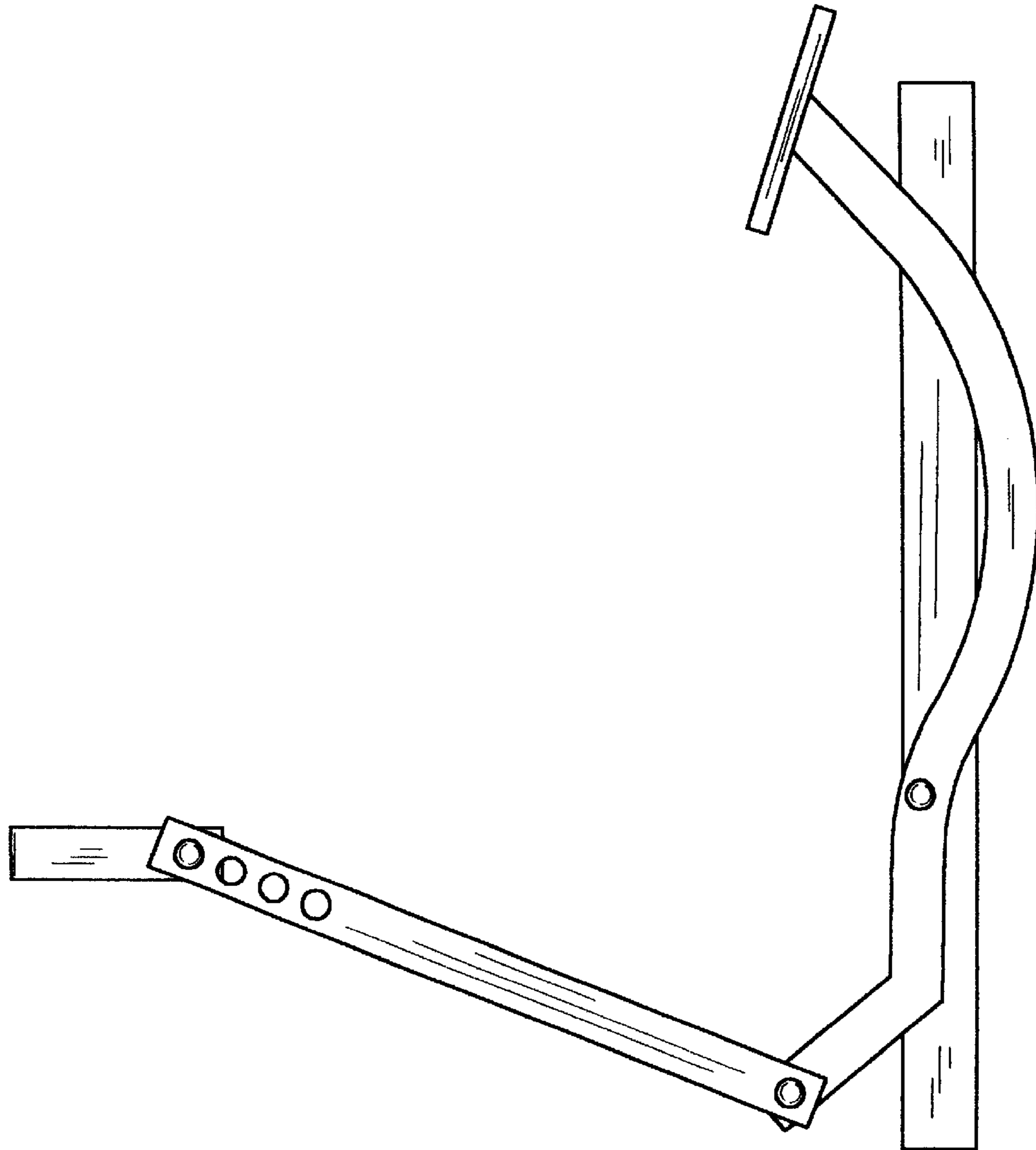


FIG. 1

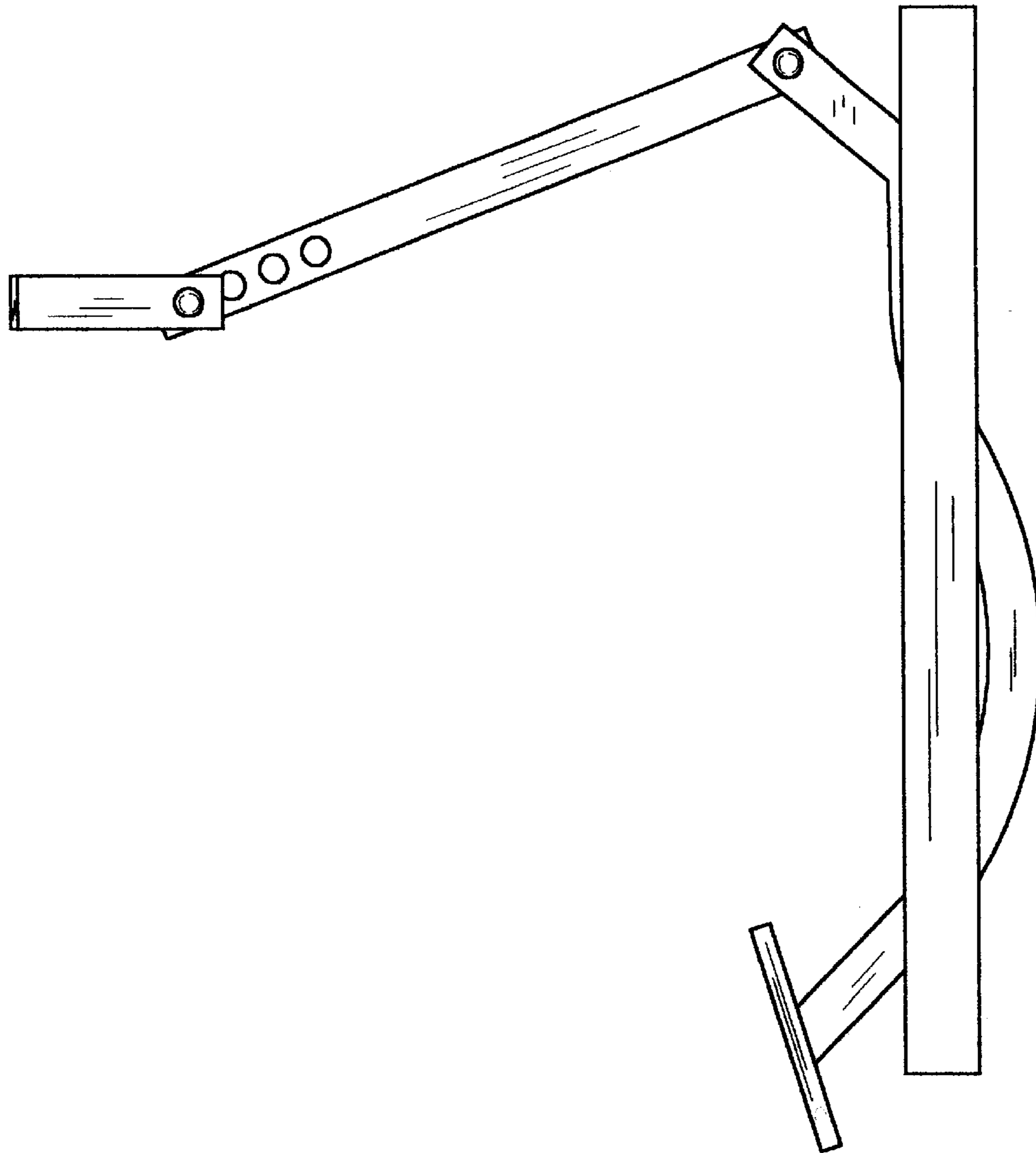


FIG. 2

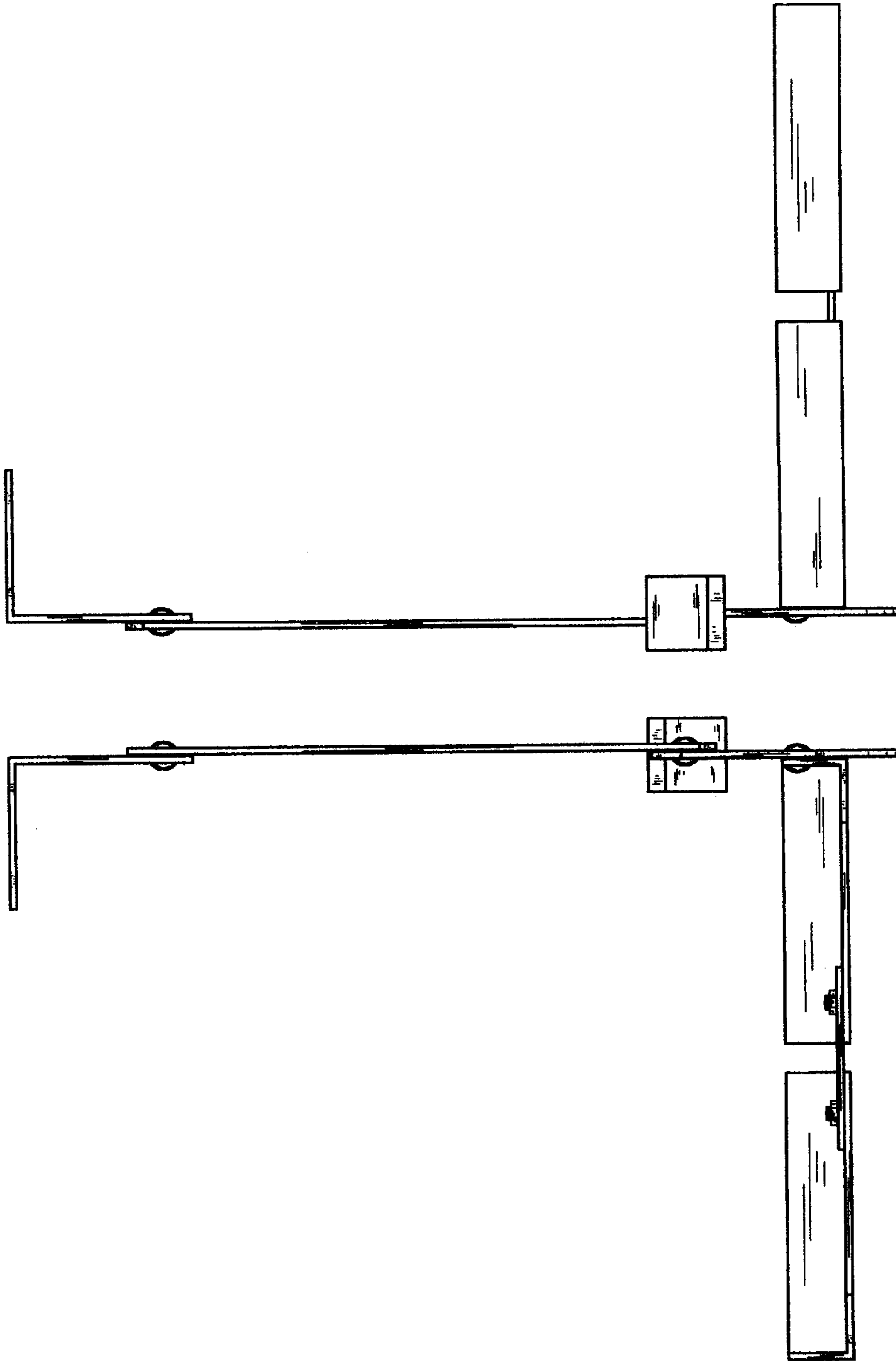


FIG. 4

FIG. 3

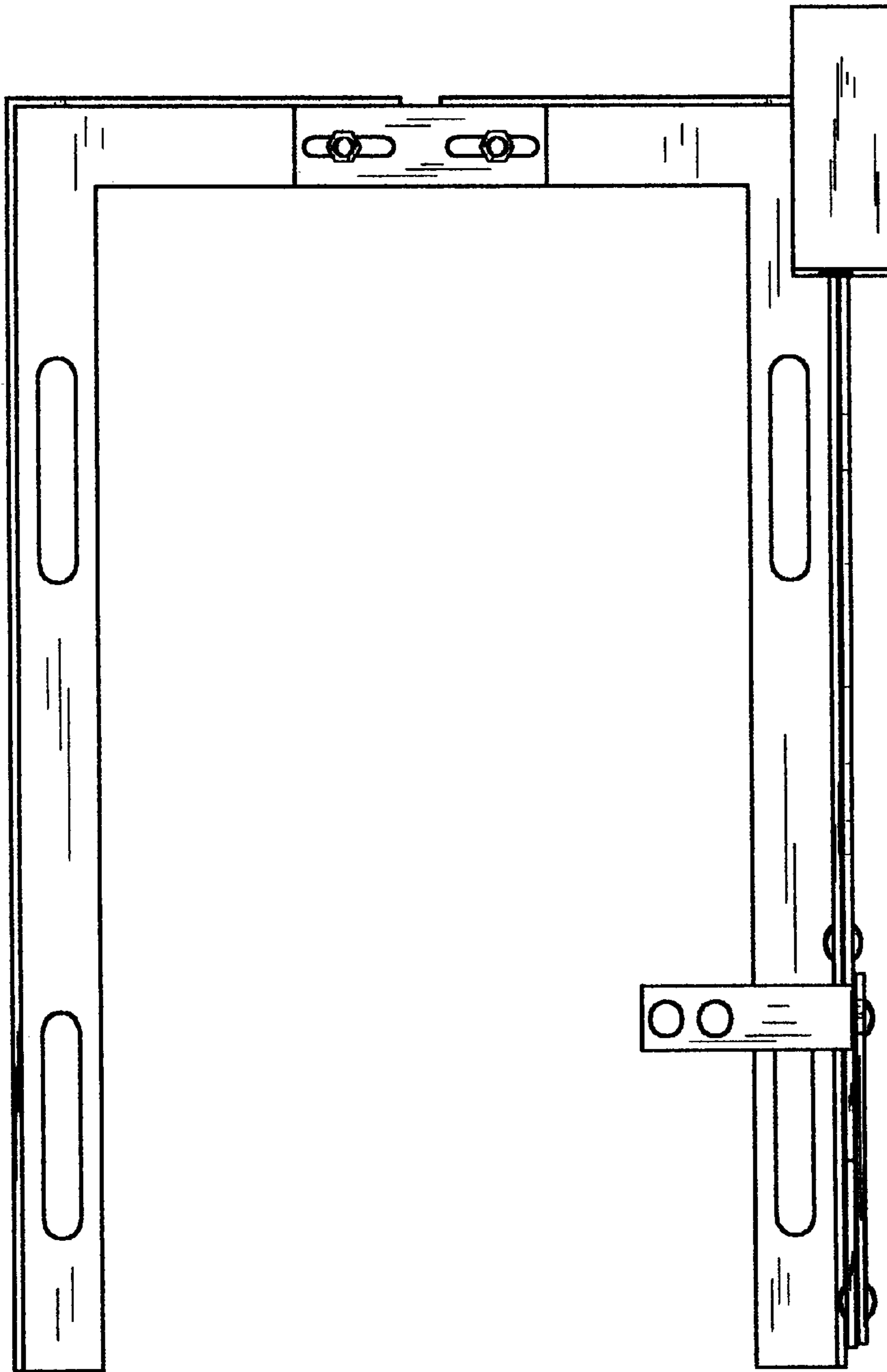


FIG. 5

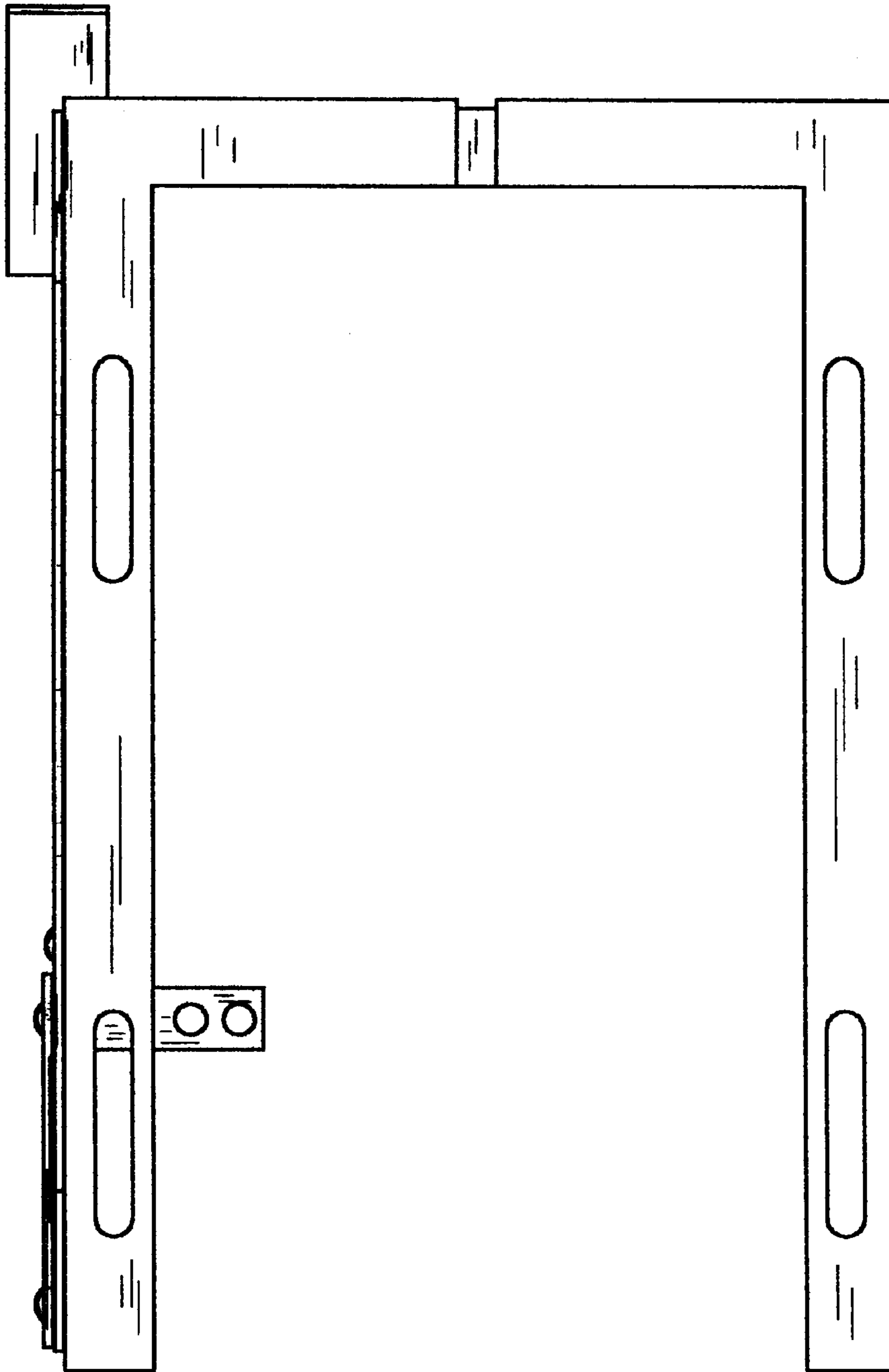


FIG. 6