



US00D483448S

(12) **United States Design Patent**
Ruxchaivan

(10) **Patent No.:** **US D483,448 S**

(45) **Date of Patent:** **** Dec. 9, 2003**

(54) **BOWL**

D439,638 S * 3/2001 Hundley D23/295

(75) Inventor: **Somsak Ruxchaivan**, Pathumthani
(TH)

* cited by examiner

(73) Assignee: **American Standard International
Inc.**, New York, NY (US)

Primary Examiner—Louis S. Zarfes
Assistant Examiner—Robert A. Delehanty

(**) Term: **14 Years**

(57) **CLAIM**

The ornamental design for a bowl, as shown and described.

(21) Appl. No.: **29/169,577**

DESCRIPTION

(22) Filed: **Oct. 23, 2002**

(30) **Foreign Application Priority Data**

May 17, 2002 (TH) 073756

(51) **LOC (7) Cl.** **23-02**

(52) **U.S. Cl.** **D23/295**

(58) **Field of Search** D23/273, 274,
D23/296, 303, 309; 4/300, 329, 420, 443-446,
902

FIG. 1 is a perspective view of a bowl showing my new design;

FIG. 2 is a front elevational view thereof;

FIG. 3 is a right side elevational view thereof;

FIG. 4 is a left side elevational view thereof;

FIG. 5 is a rear elevational view thereof;

FIG. 6 is a top plan view thereof; and,

FIG. 7 is a bottom plan view thereof.

The broken line showing of a toilet bowl and plumbing fixture holes is for illustrative purposes only and forms no part of the claimed design.

(56) **References Cited**

U.S. PATENT DOCUMENTS

D438,939 S * 3/2001 Kawamura D23/295

1 Claim, 4 Drawing Sheets

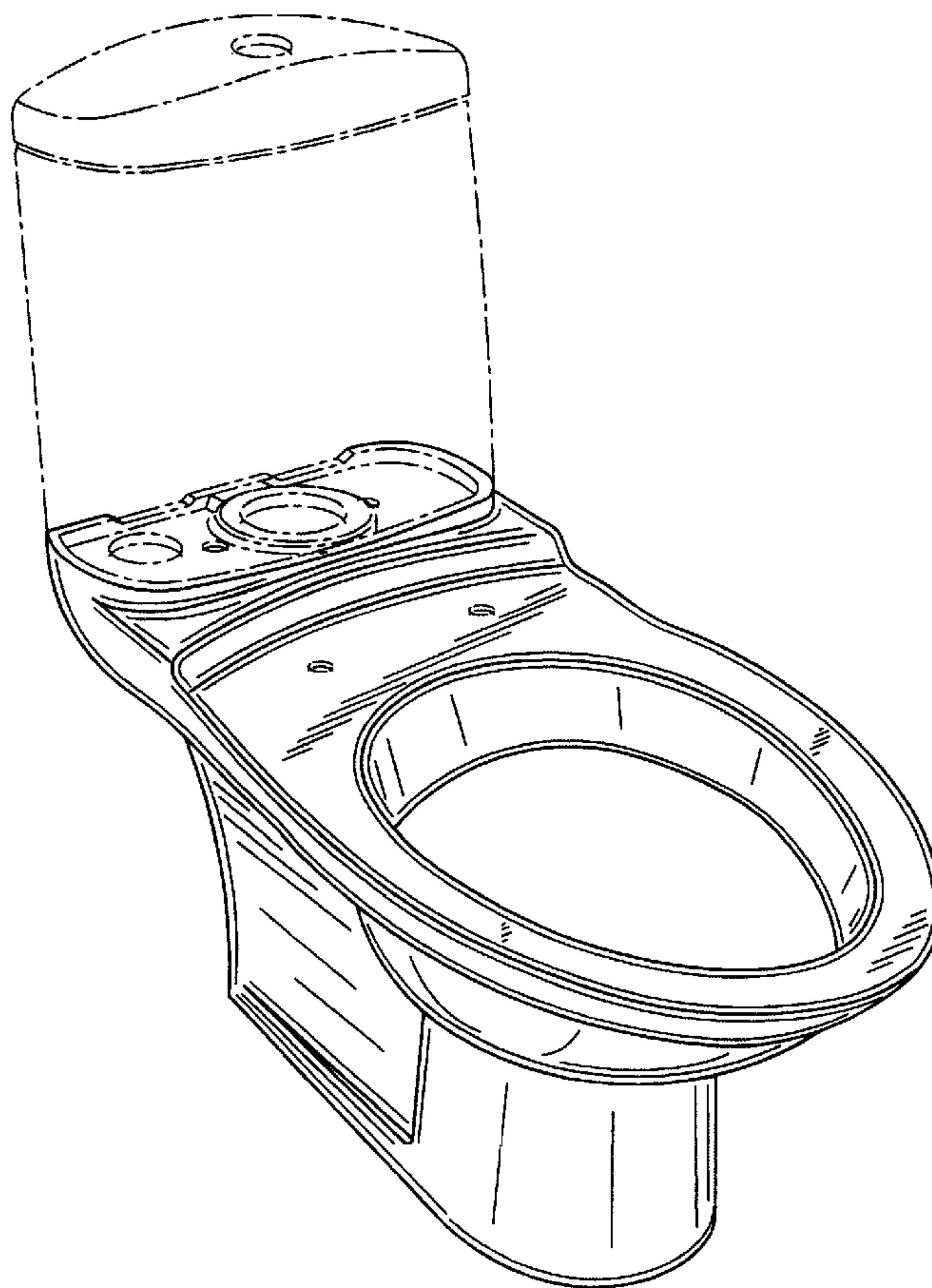


FIG. 1

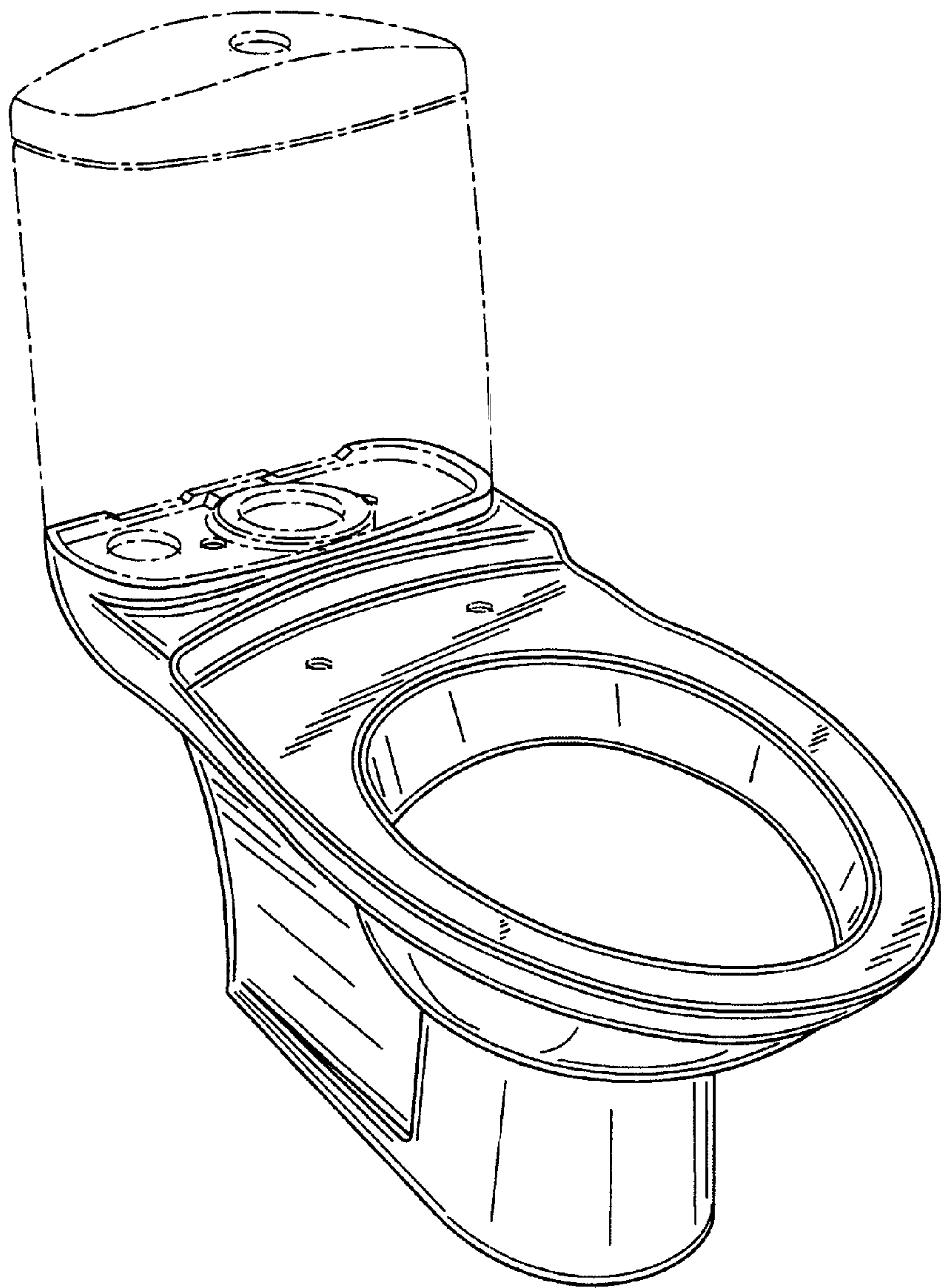


FIG. 2

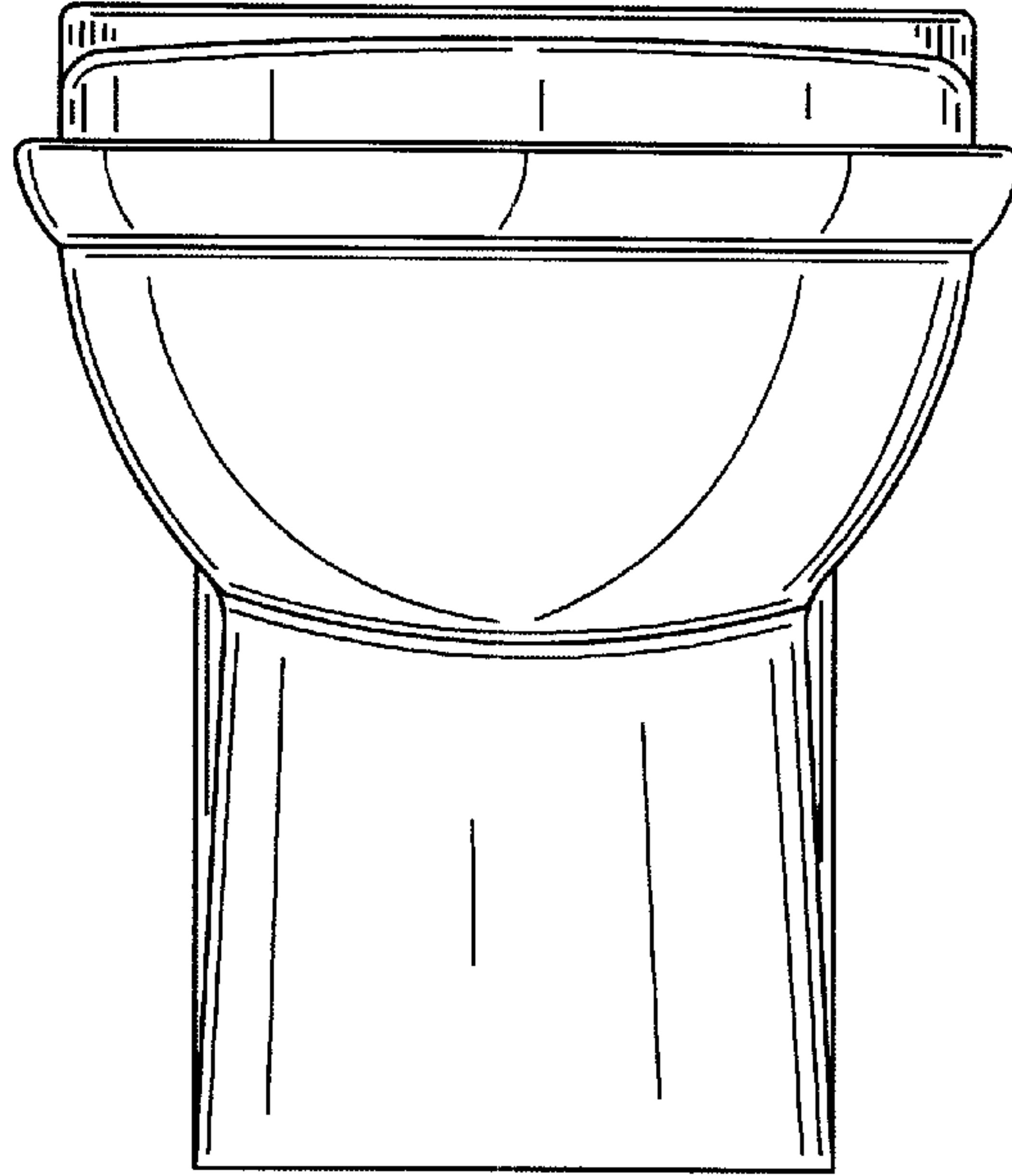


FIG. 3

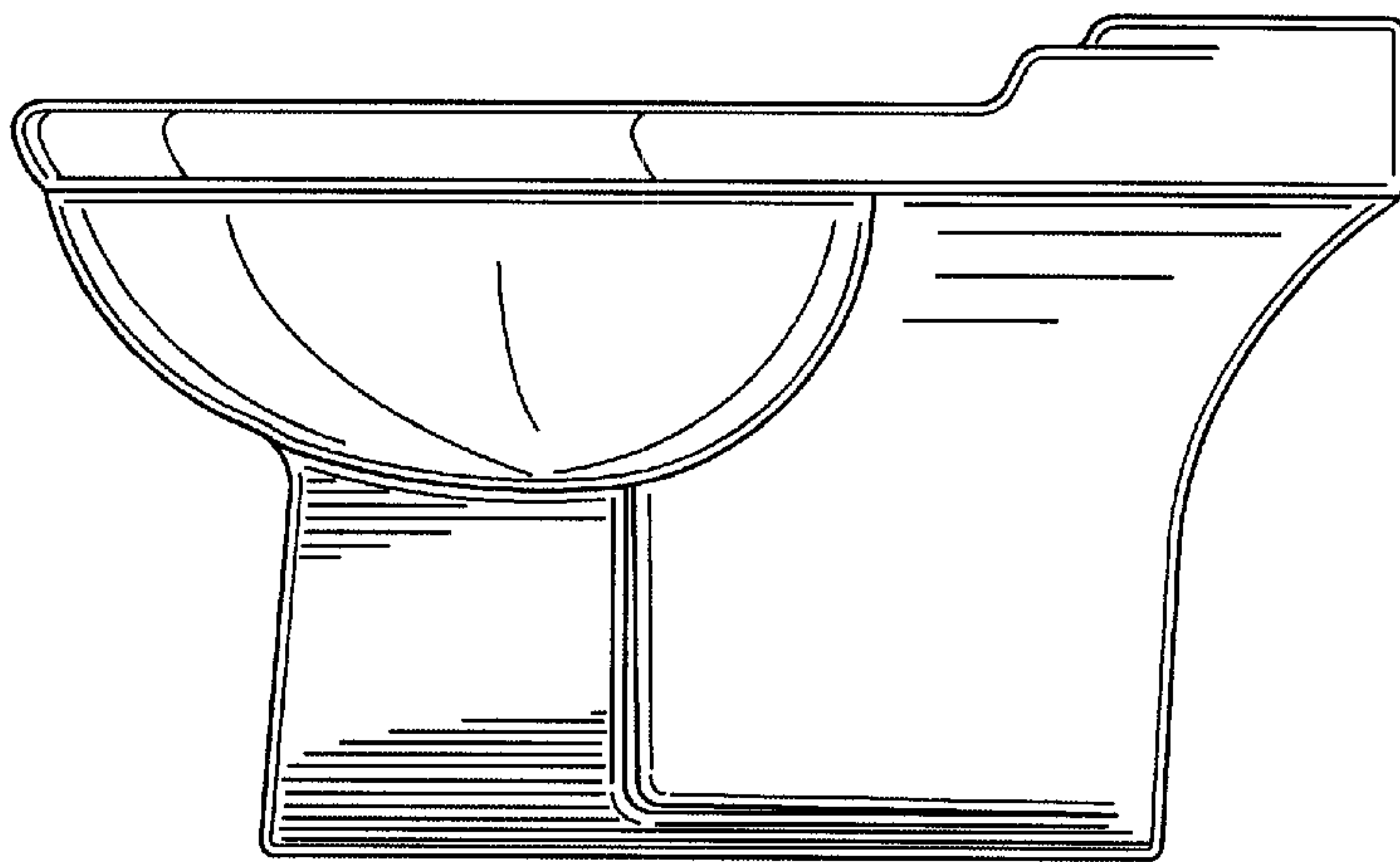


FIG. 4

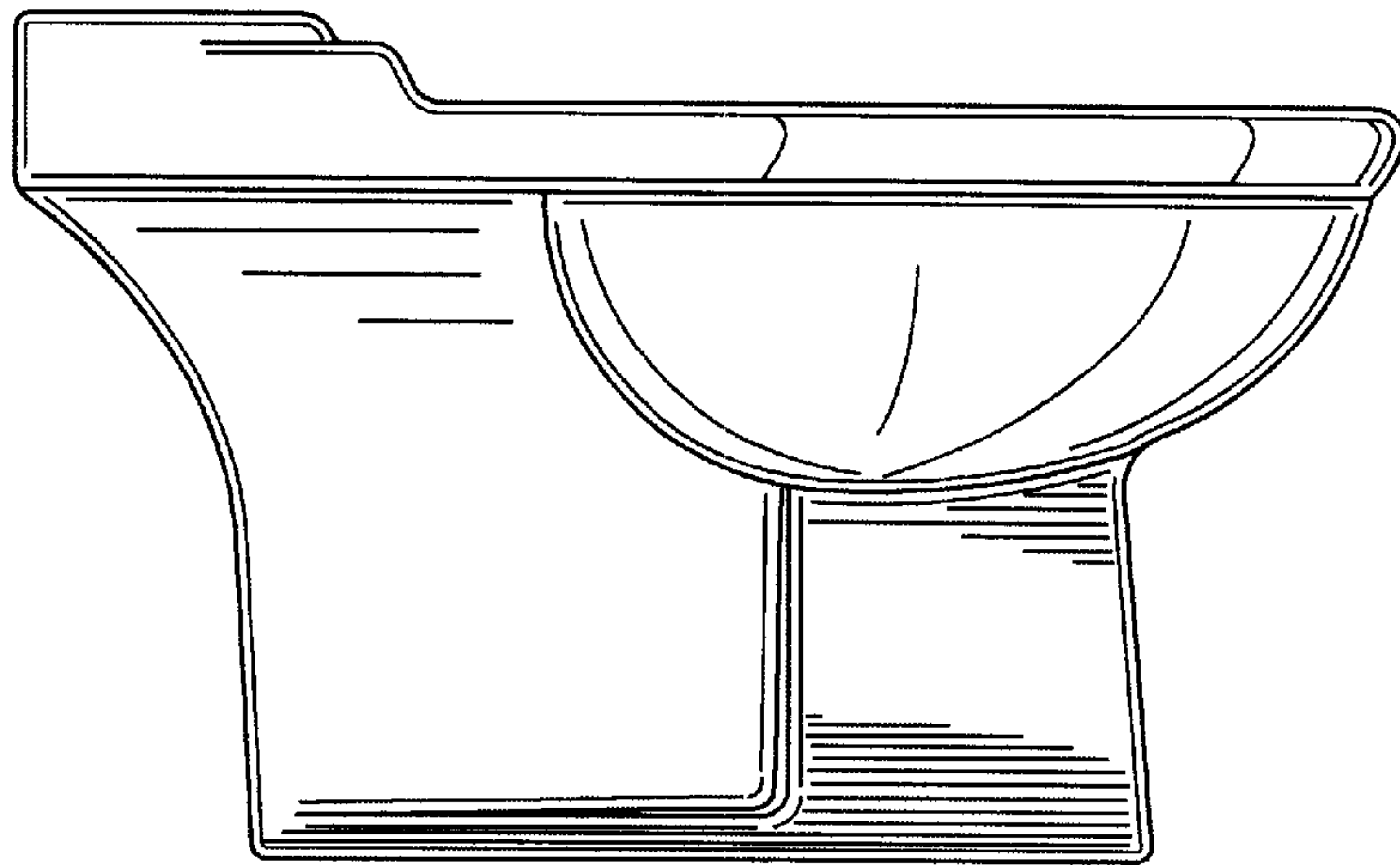


FIG. 5

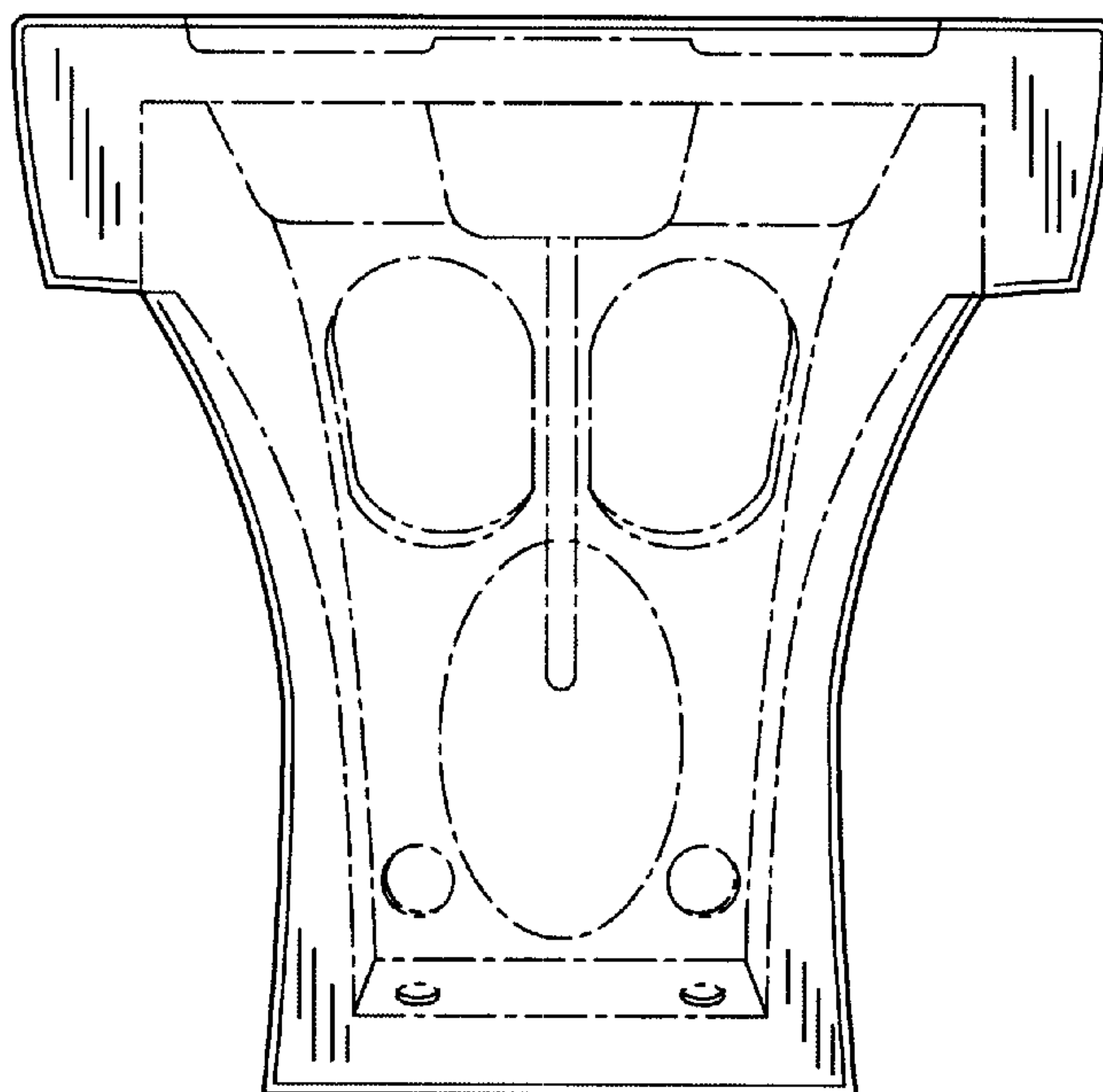


FIG. 6

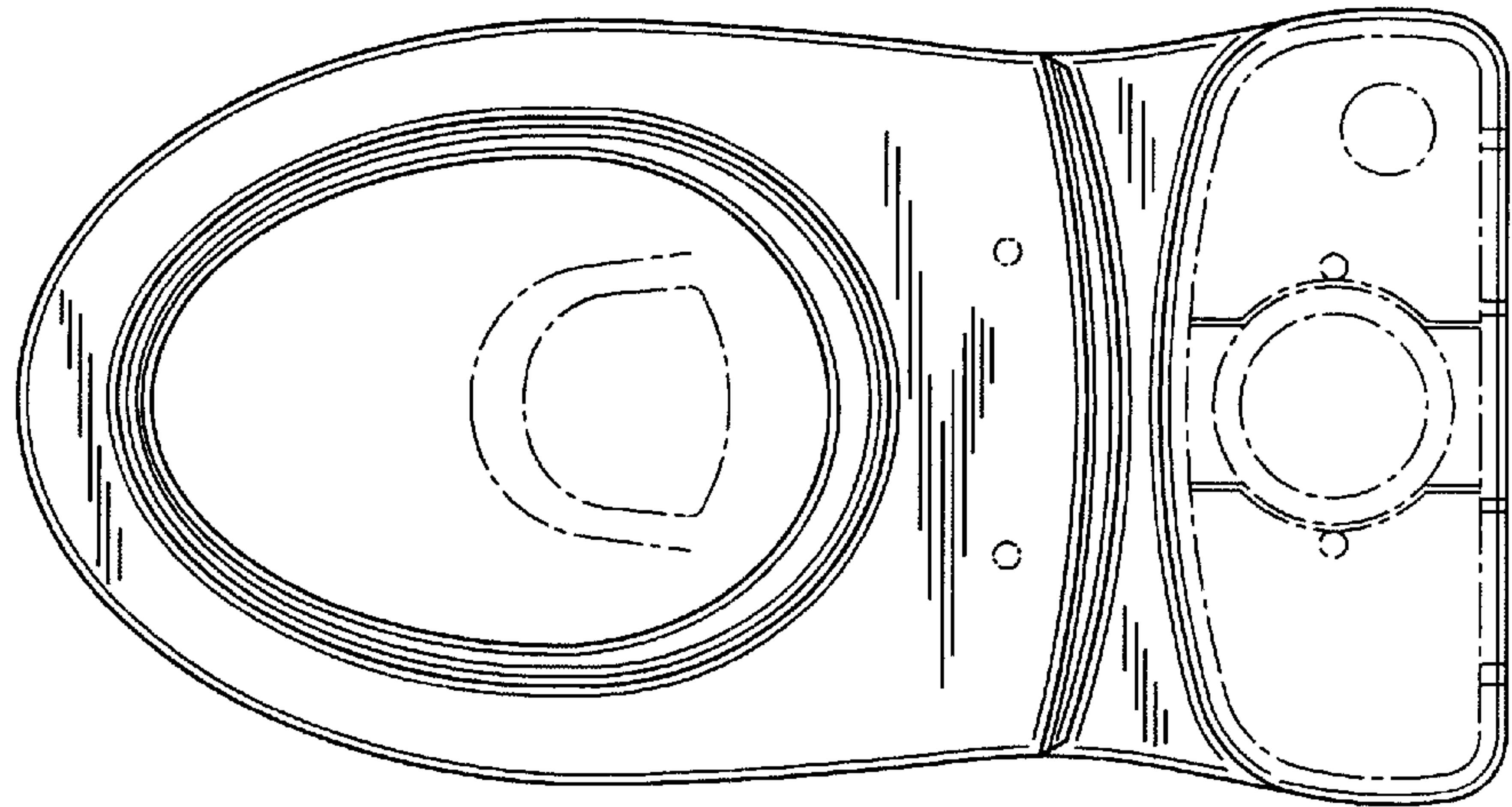


FIG. 7

