



US00D483447S

(12) **United States Design Patent**  
**Ruxchaivan**

(10) **Patent No.:** **US D483,447 S**

(45) **Date of Patent:** **\*\* Dec. 9, 2003**

(54) **TOILET BOWL**

(75) **Inventor:** **Somsak Ruxchaivan, Pathumthani (TH)**

(73) **Assignee:** **American Standard International Inc., New York, NY (US)**

(\*\*) **Term:** **14 Years**

(21) **Appl. No.:** **29/169,576**

(22) **Filed:** **Oct. 23, 2002**

(30) **Foreign Application Priority Data**

May 10, 2002 (TH) ..... 073587

(51) **LOC (7) Cl.** ..... **23-02**

(52) **U.S. Cl.** ..... **D23/295**

(58) **Field of Search** ..... D23/273-274,  
D23/296, 303, 309; 4/300, 329, 420, 443-446,  
902

(56) **References Cited**

**U.S. PATENT DOCUMENTS**

D355,056 S \* 1/1995 Burnet ..... D23/301 X

D358,201 S \* 5/1995 Wilhelm et al. .... D23/300

D392,075 S \* 3/1998 Holt ..... D23/301 X

D459,446 S \* 6/2002 Wheeler ..... D23/274

\* cited by examiner

*Primary Examiner*—Louis S. Zarfes

*Assistant Examiner*—Robert A. Delehanty

(57) **CLAIM**

The ornamental design for a toilet bowl, as shown and described.

**DESCRIPTION**

FIG. 1 is a perspective view of a toilet bowl showing my new design;

FIG. 2 is a top plan view thereof;

FIG. 3 is a bottom plan view thereof;

FIG. 4 is a front elevational view thereof;

FIG. 5 is a rear elevational view thereof;

FIG. 6 is a right side elevational view thereof; and,

FIG. 7 is a left side elevational view thereof.

The broken line showing of a toilet bowl and plumbing fixture holes is for illustrative purposes only and forms no part of the claimed design.

**1 Claim, 4 Drawing Sheets**

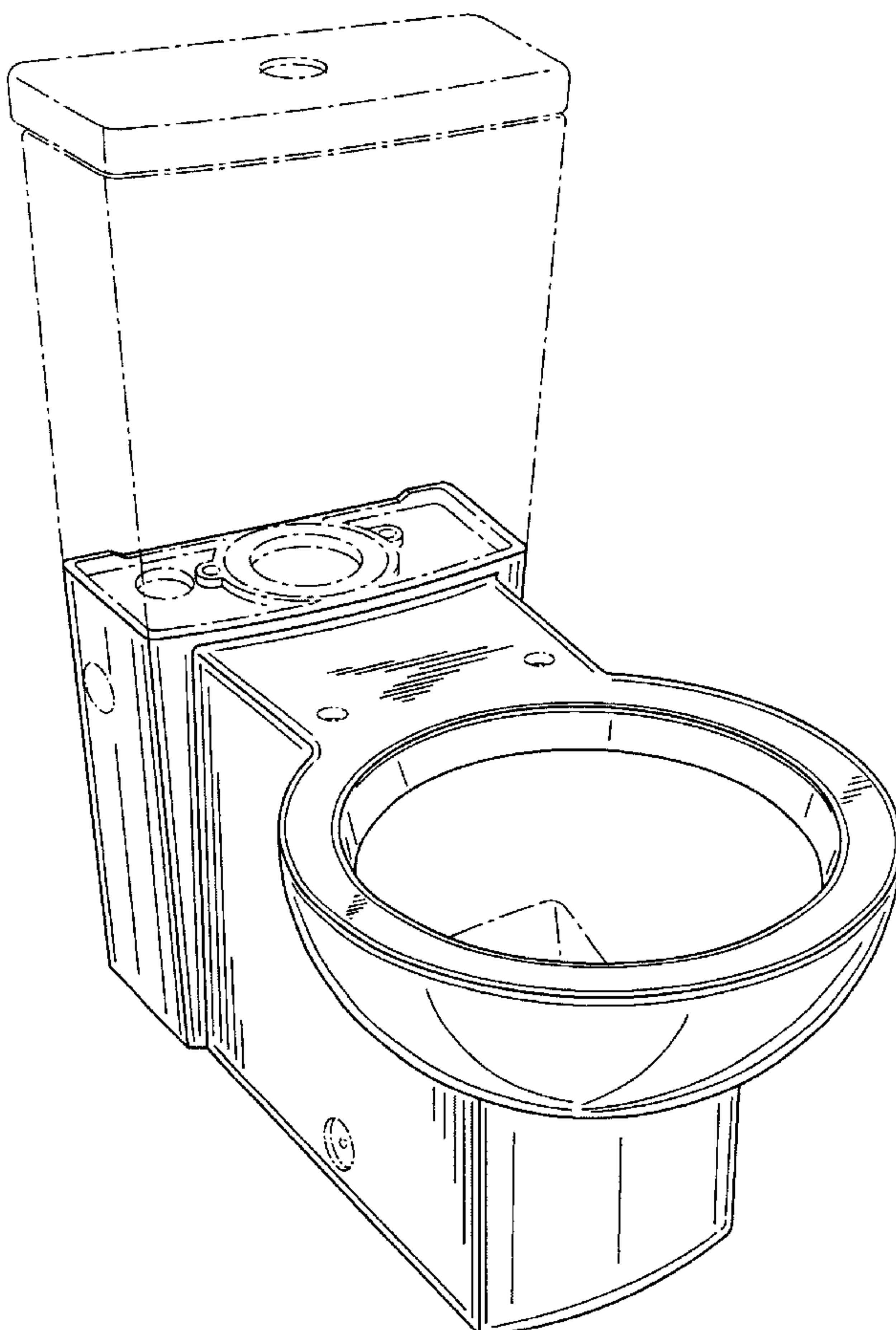


FIG. 1

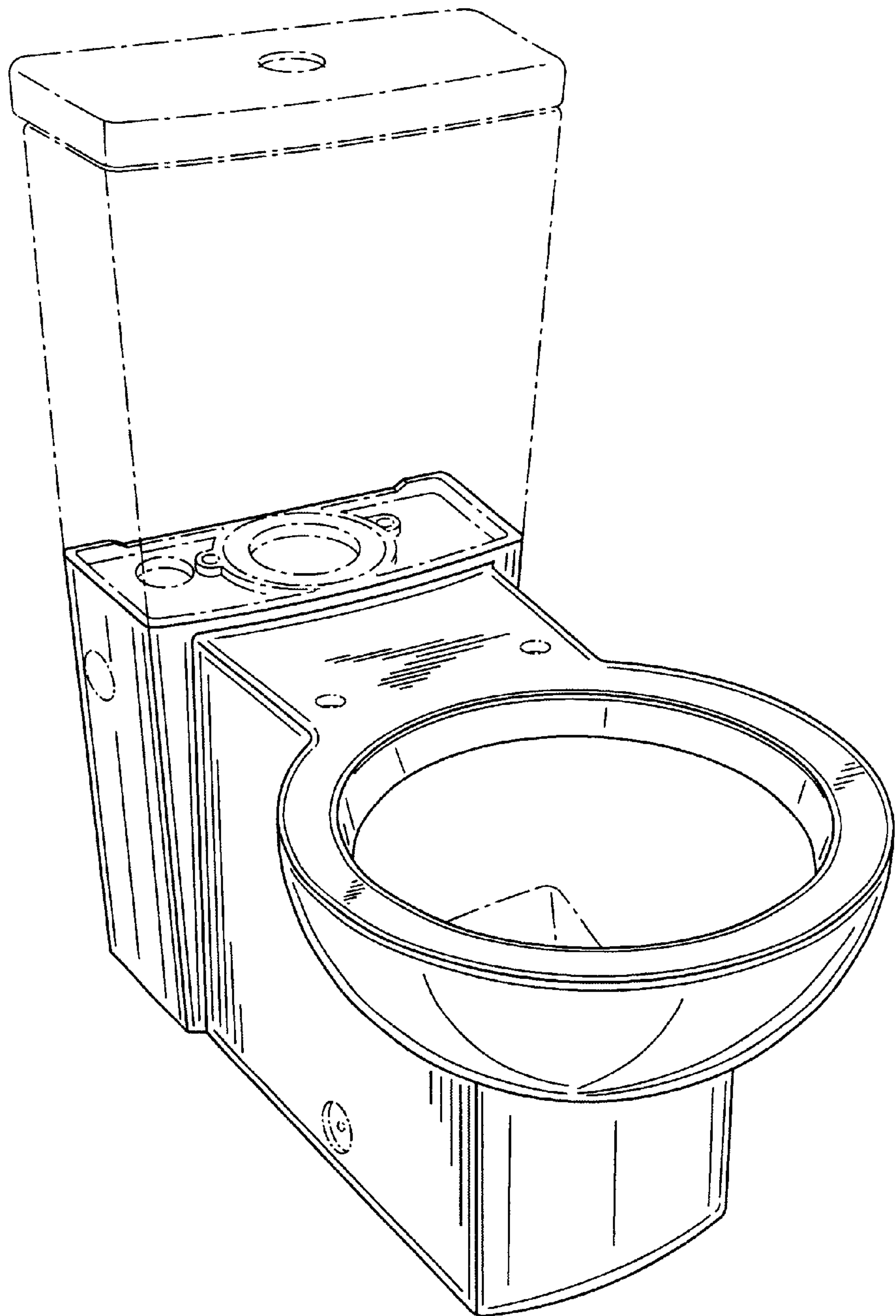


FIG. 2

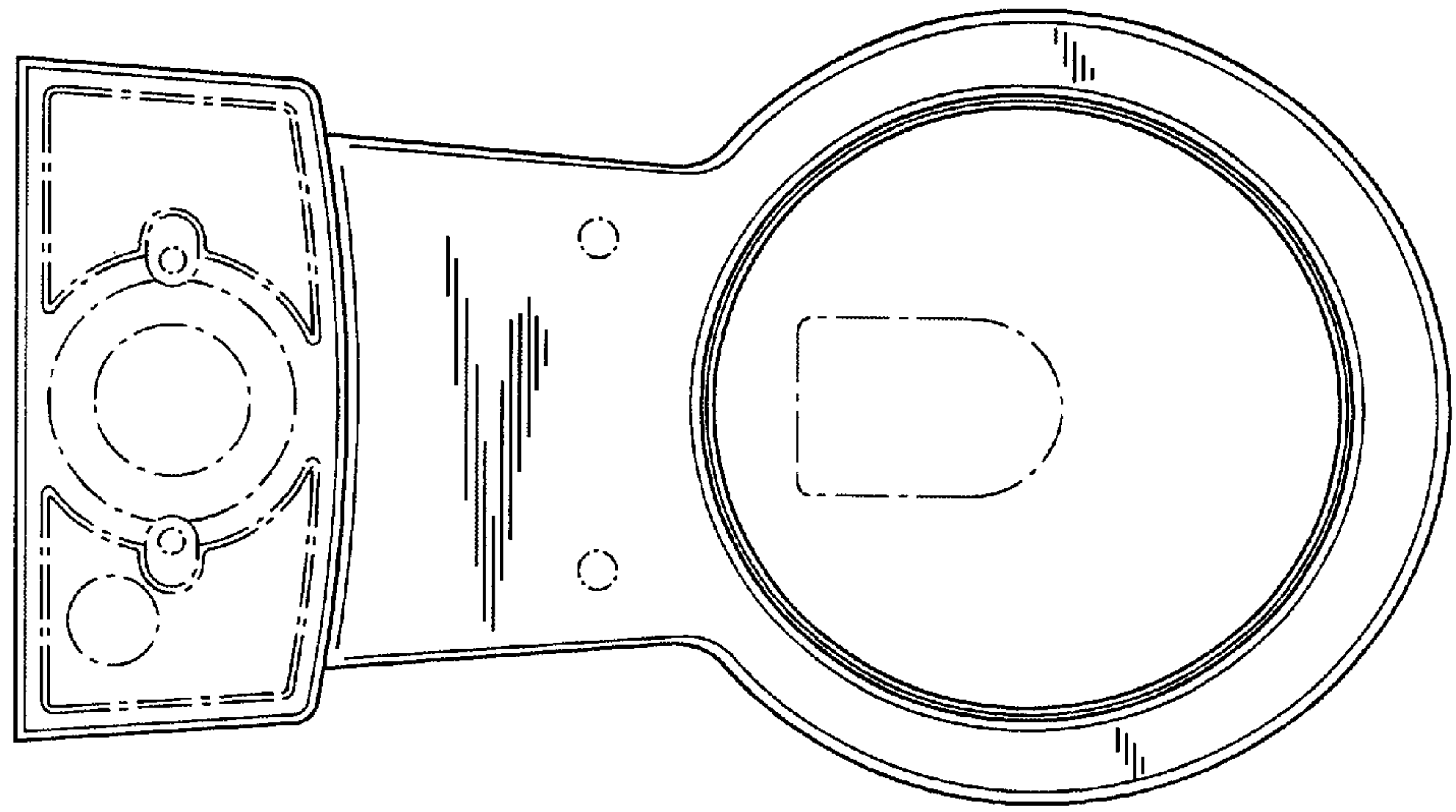


FIG. 3

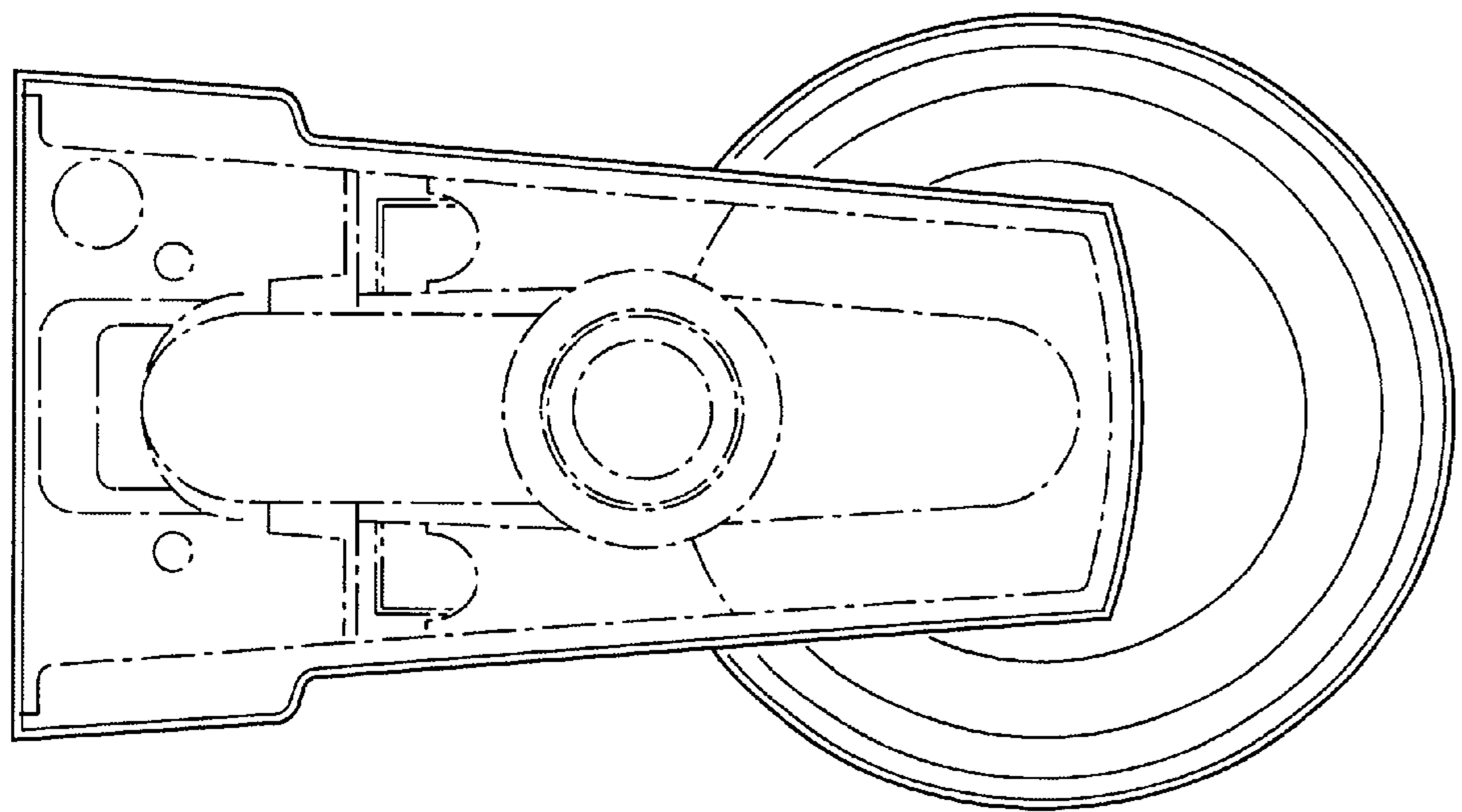


FIG. 4

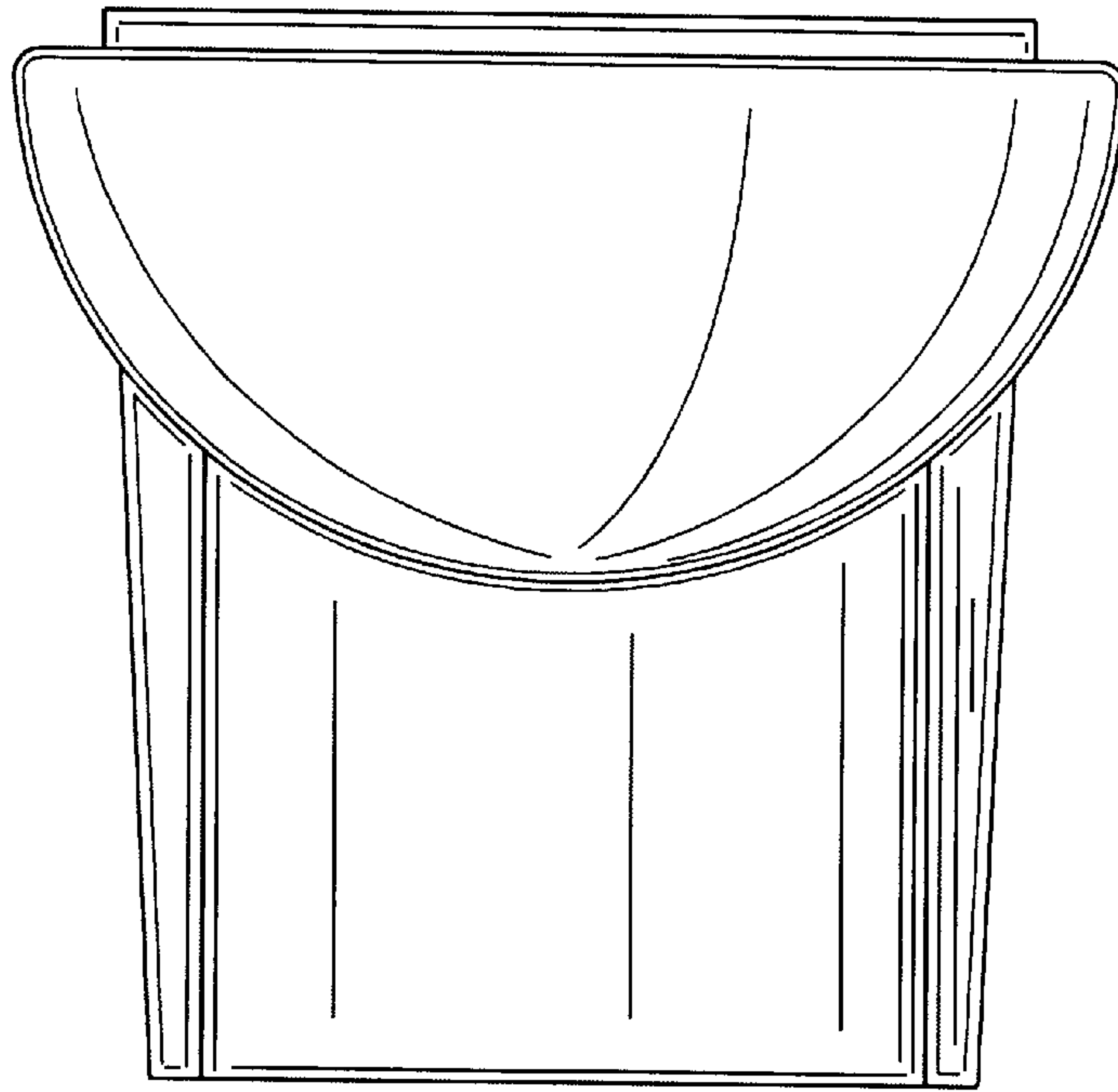


FIG. 5

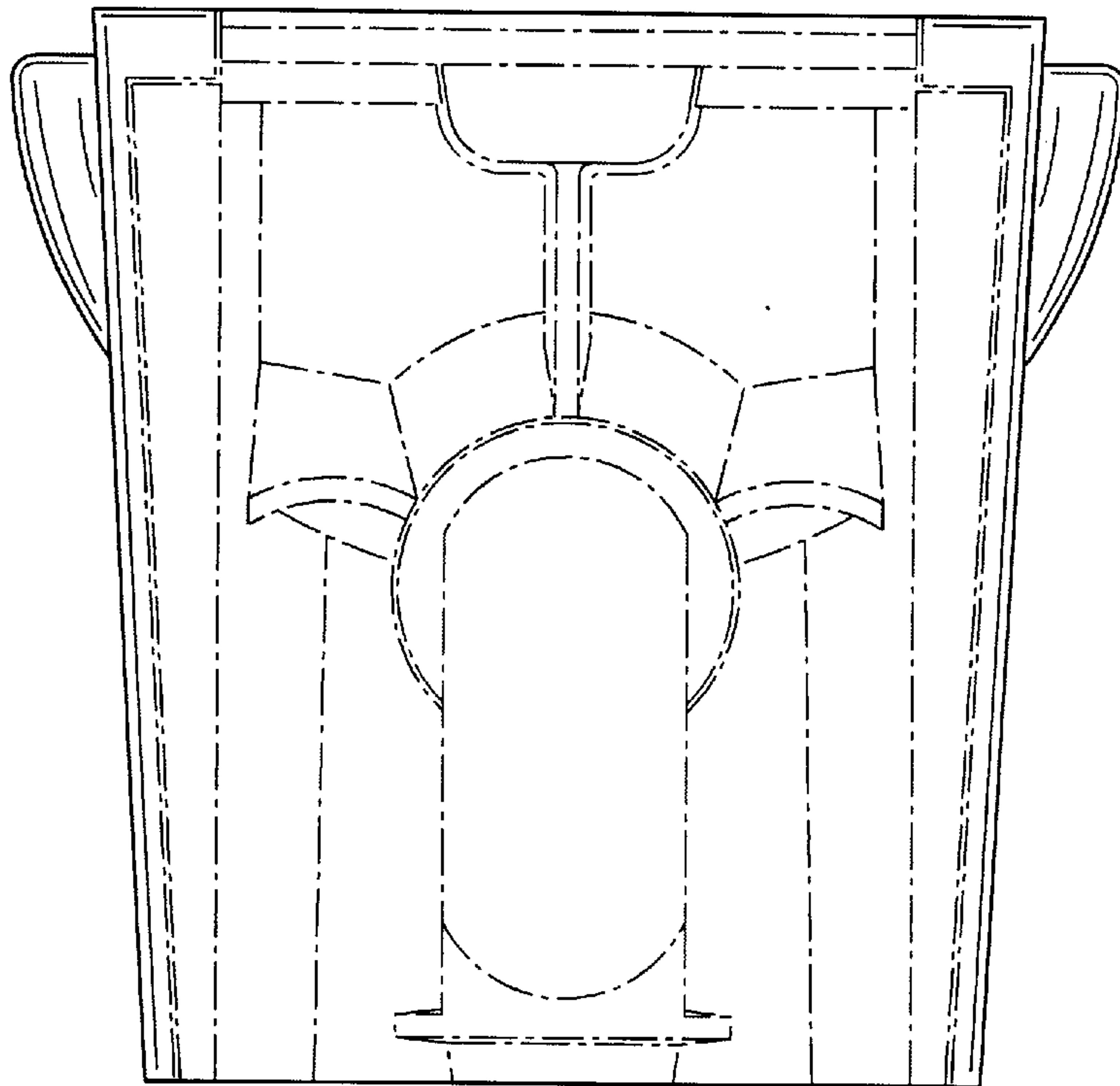


FIG. 6

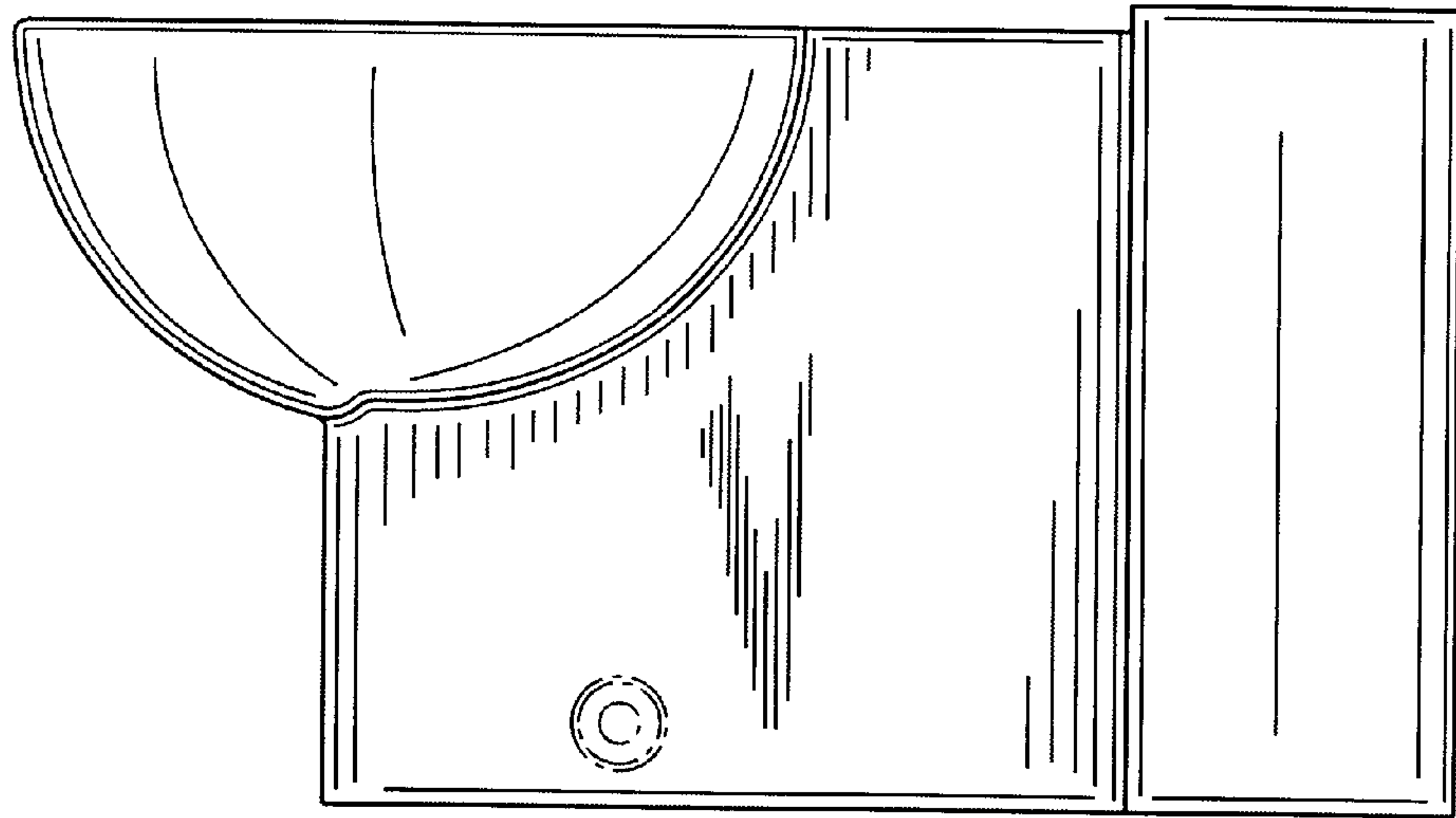


FIG. 7

