



US00D483446S

(12) **United States Design Patent**
Shimizu

(10) **Patent No.:** **US D483,446 S**

(45) **Date of Patent:** **** Dec. 9, 2003**

(54) **BATHTUB**

D453,207 S * 1/2002 Pavlopoulos D23/277

(75) Inventor: **Hideo Shimizu**, Tokyo (JP)

* cited by examiner

(73) Assignee: **Cappelline Buono Inc.**, Tokyo (JP)

Primary Examiner—Louis S. Zarfaz
Assistant Examiner—Robert A. Delehanty
(74) *Attorney, Agent, or Firm*—Ladas & Parry

(**) Term: **14 Years**

(21) Appl. No.: **29/168,067**

(22) Filed: **Sep. 24, 2002**

(30) **Foreign Application Priority Data**

Apr. 4, 2002 (JP) 2002-009048

(51) **LOC (7) Cl.** **23-02**

(52) **U.S. Cl.** **D23/280.2**

(58) **Field of Search** D23/273, 275,
D23/276, 277, 278, 279, 280.1, 280.2, 280.3,
303, 304, 305; D24/204, 205; 4/538, 546-548,
551, 555-557, 559, 571.1-579, 584-586,
589, 593, 661

(56) **References Cited**

U.S. PATENT DOCUMENTS

D412,973 S * 8/1999 Donnelly D23/277

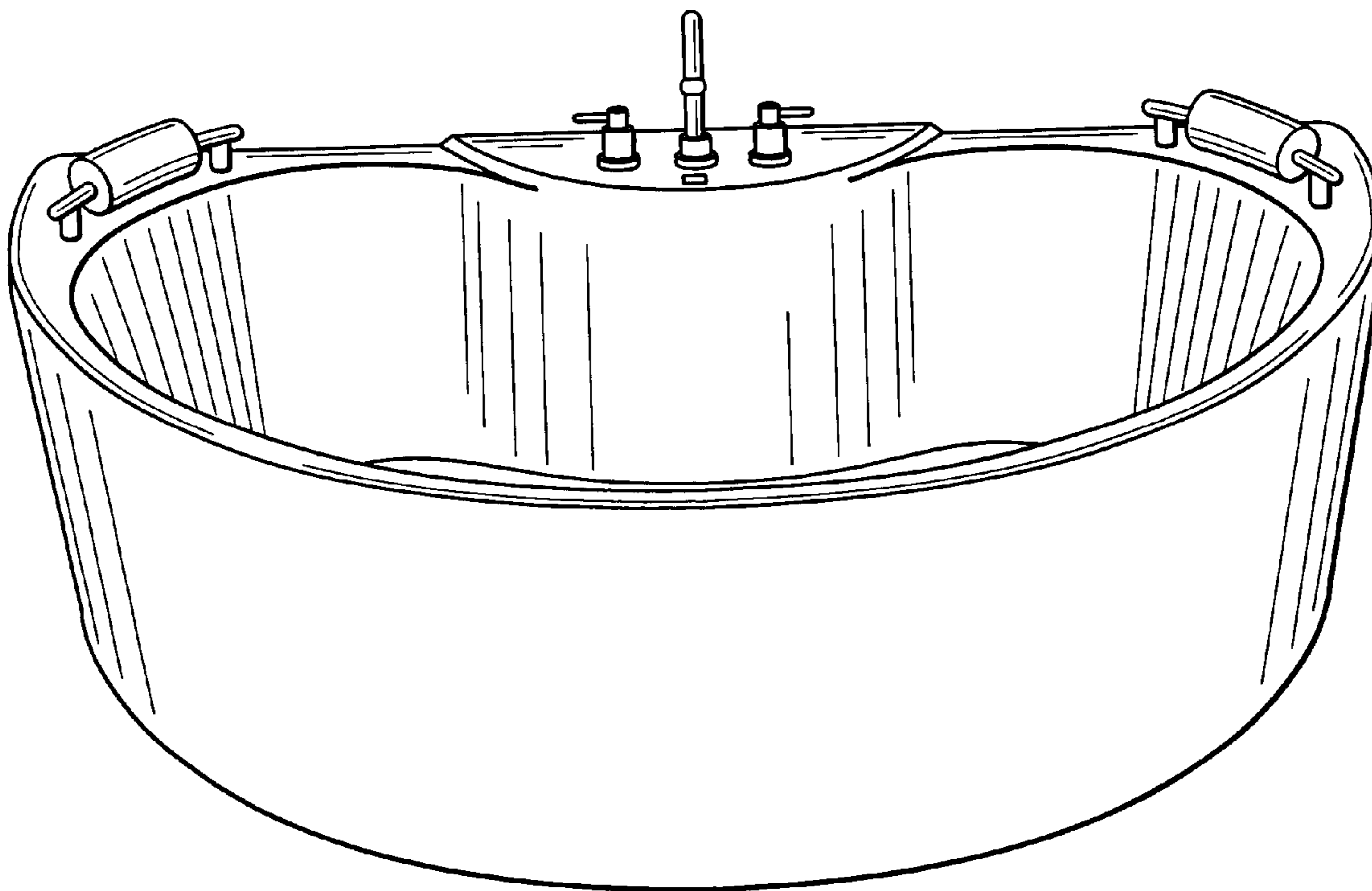
(57) **CLAIM**

The ornamental design for “bathtub,” as shown.

DESCRIPTION

FIG. 1 is a front view showing the design of this invention;
FIG. 2 is a back view thereof;
FIG. 3 is a right side view thereof;
FIG. 4 is a left side view thereof;
FIG. 5 is a top view thereof;
FIG. 6 is a bottom view thereof; and,
FIG. 7 is a perspective view thereof.

1 Claim, 4 Drawing Sheets



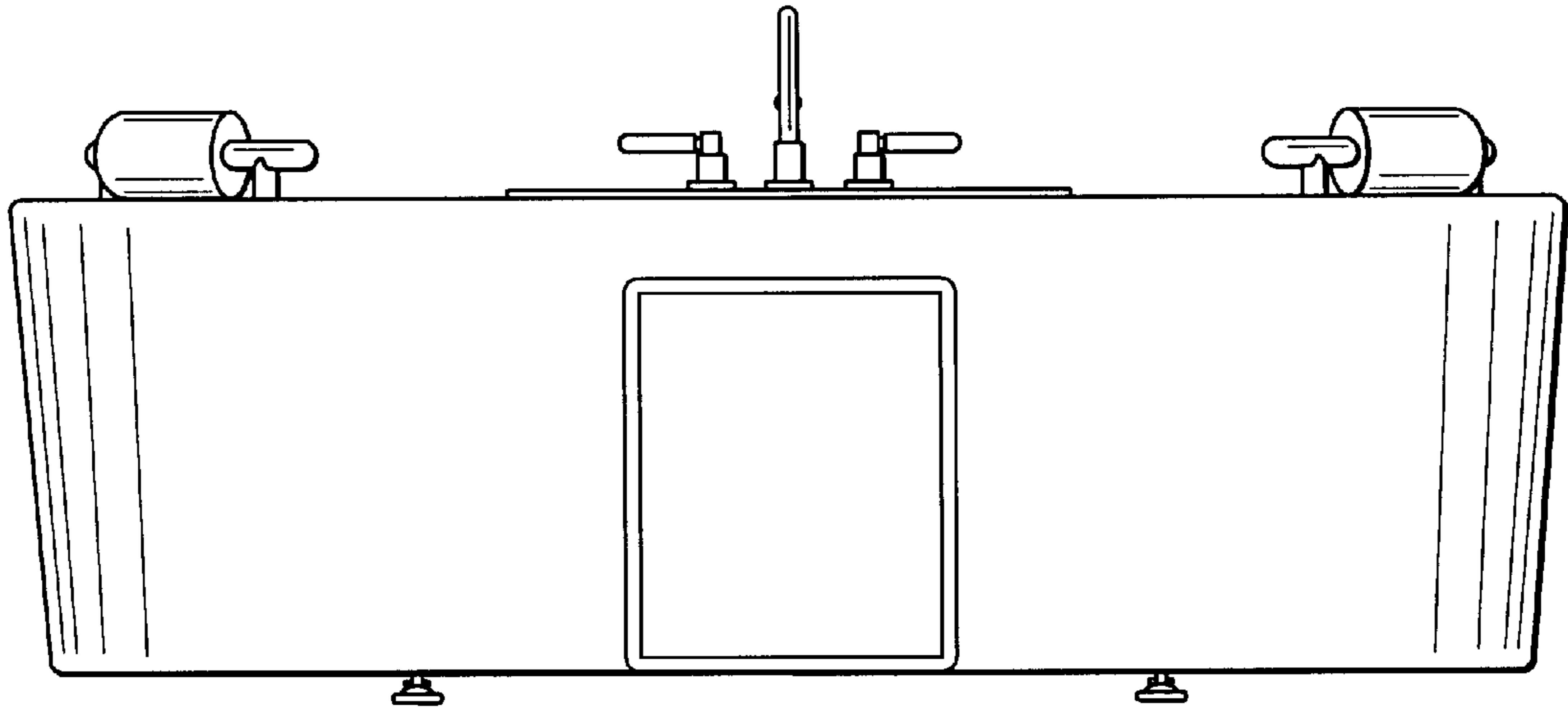


FIG. 1

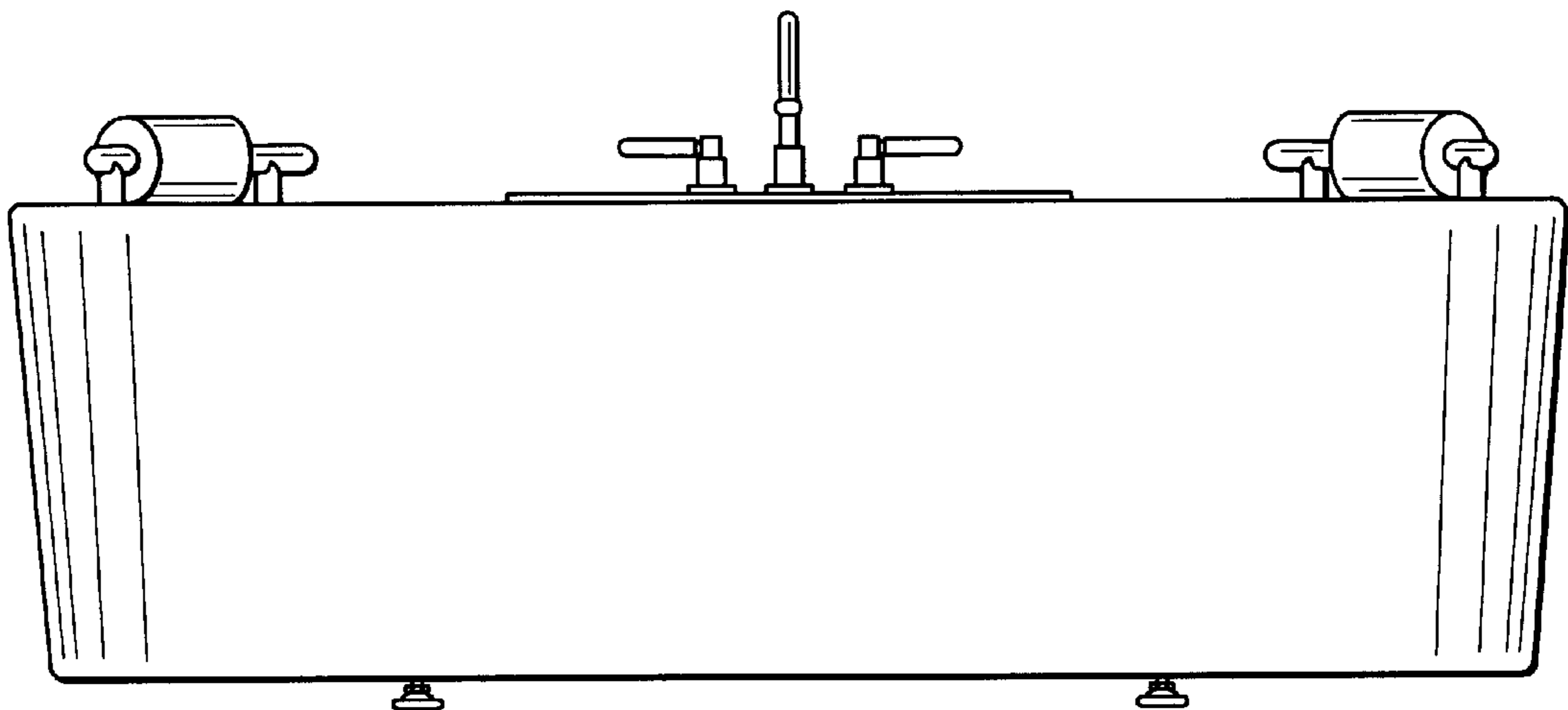


FIG. 2

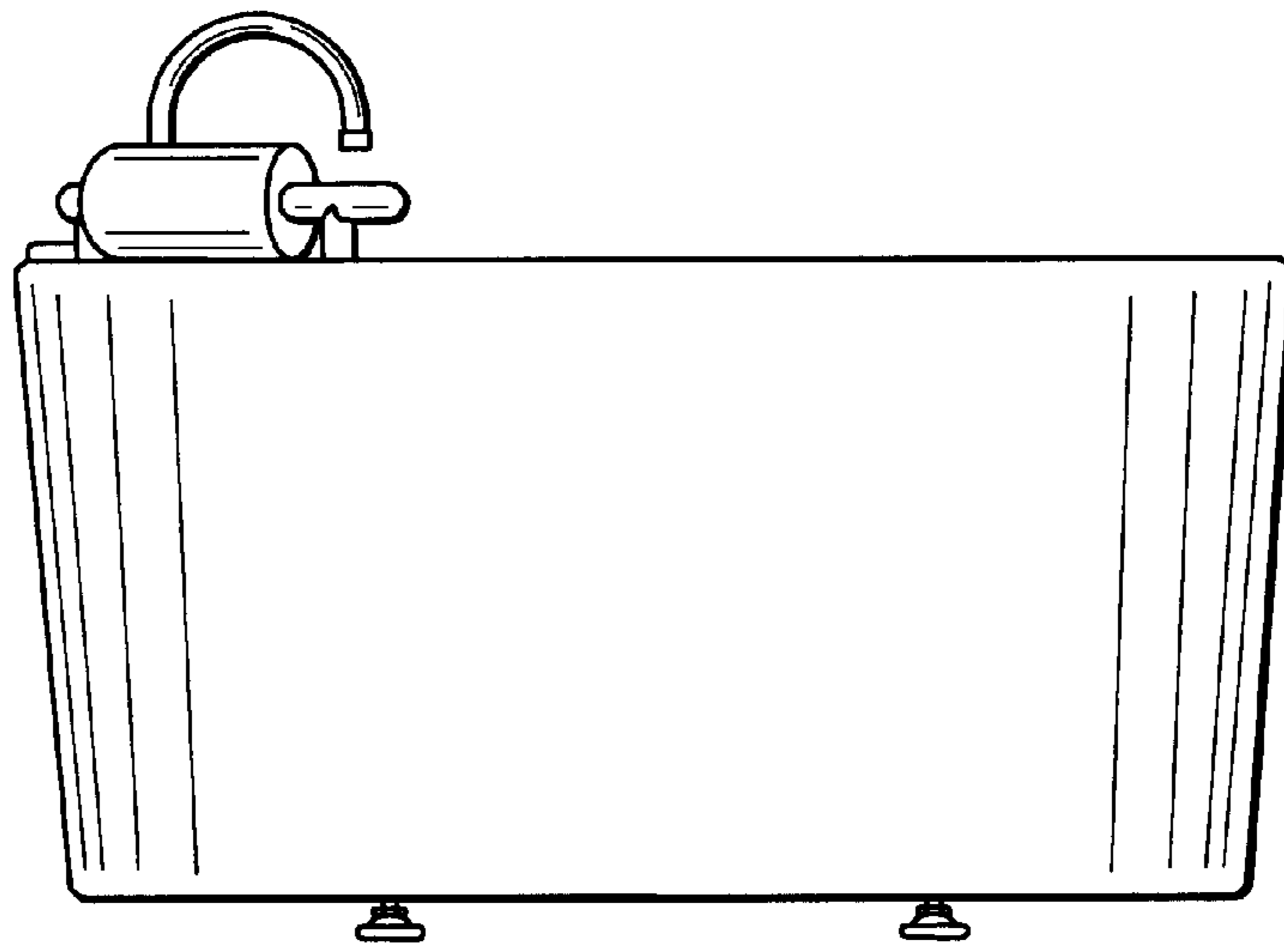


FIG. 3

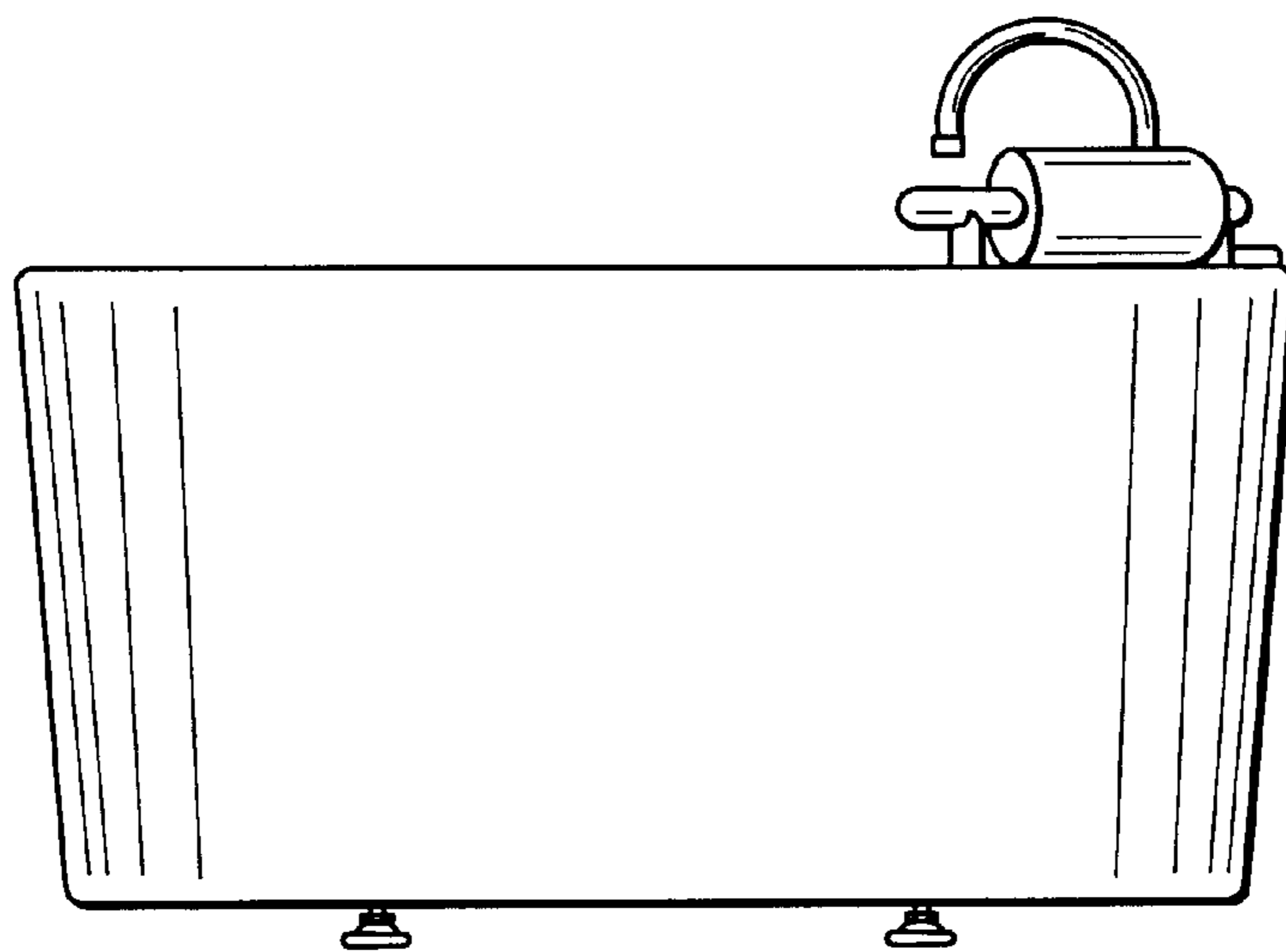


FIG. 4

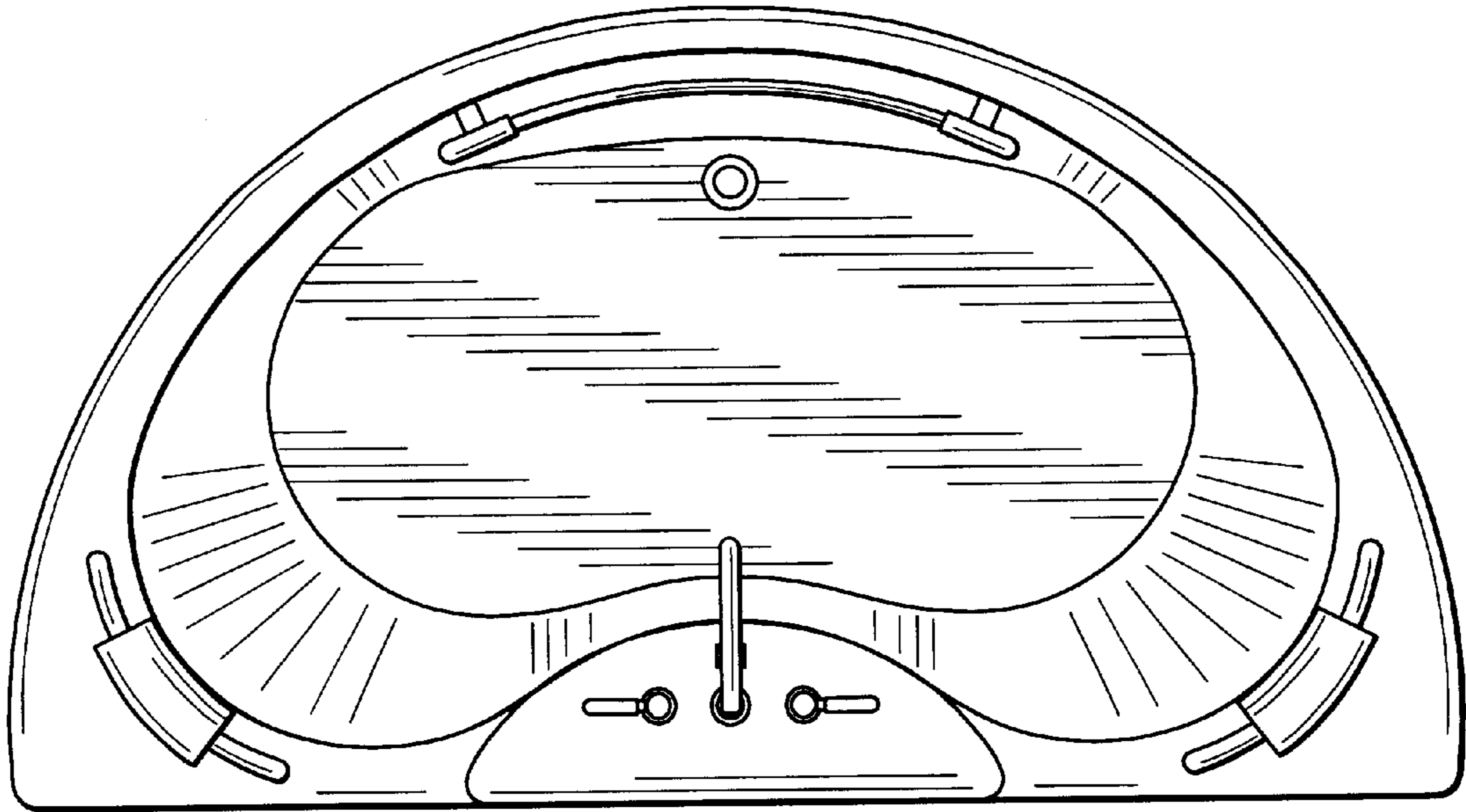


FIG. 5

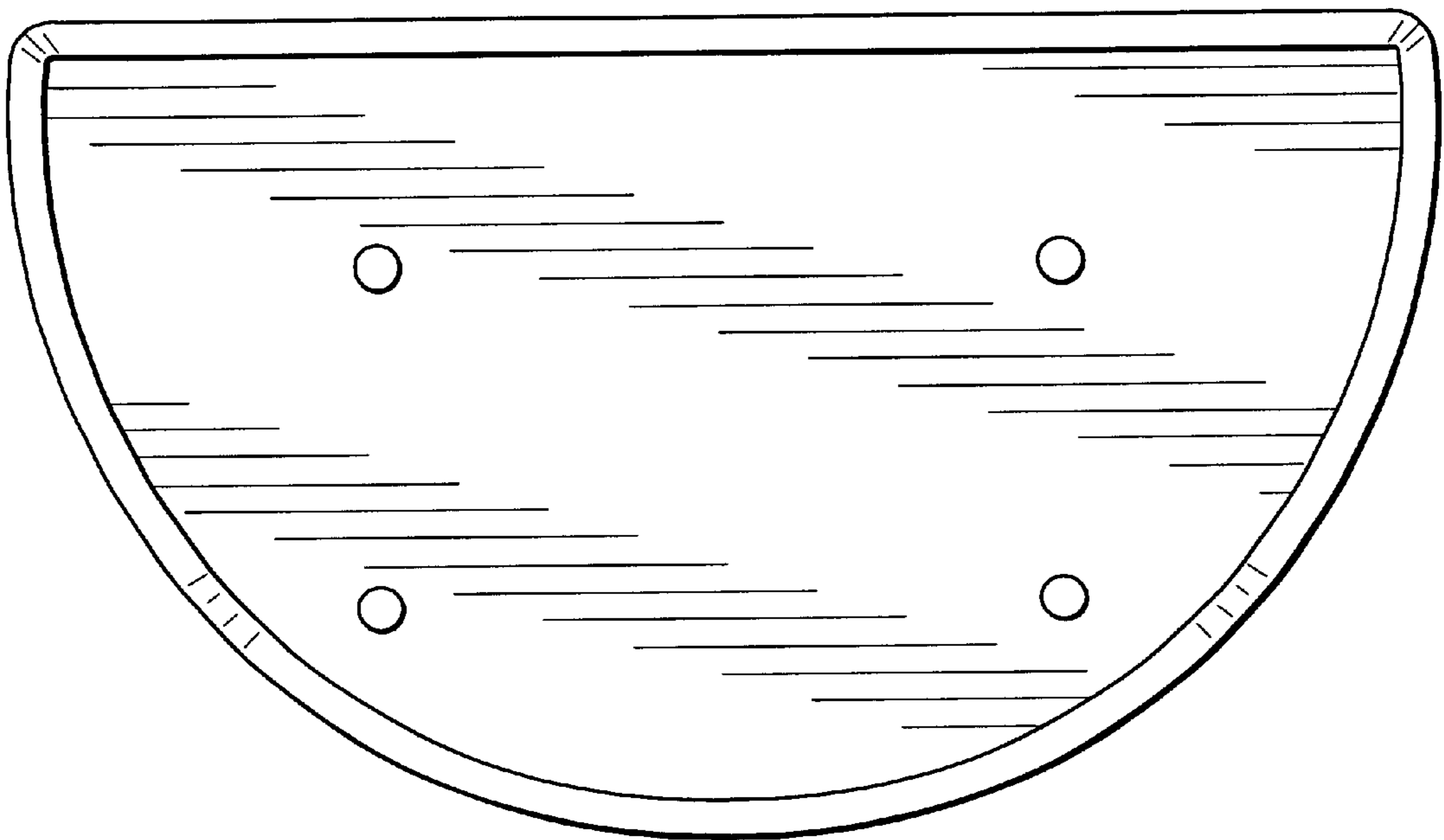


FIG. 6

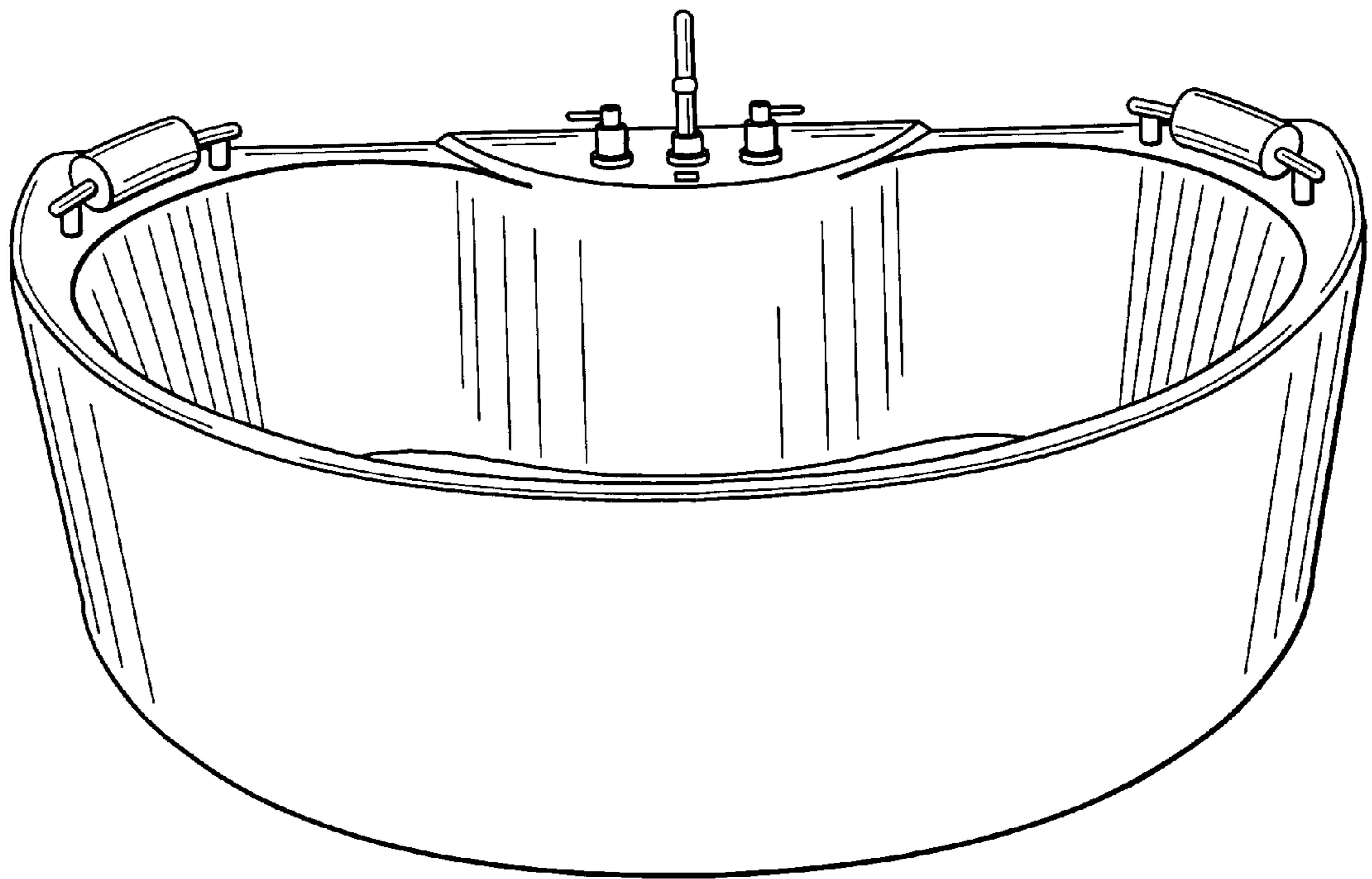


FIG. 7