



US00D483443S

(12) **United States Design Patent**  
**Forsberg**

(10) **Patent No.:** **US D483,443 S**

(45) **Date of Patent:** **\*\* Dec. 9, 2003**

(54) **JOIST GUTTER**

(75) Inventor: **Paul J. Forsberg**, Eden Prairie, MN  
(US)

(73) Assignee: **Arnold & James, Inc.**, Hopkins, MN  
(US)

(\*\*) Term: **14 Years**

(21) Appl. No.: **29/175,483**

(22) Filed: **Feb. 5, 2003**

(51) **LOC (7) Cl.** ..... **23-01**

(52) **U.S. Cl.** ..... **D23/267**

(58) **Field of Search** ..... D23/267; D25/119;  
52/11, 302.3; 248/48.1

(56) **References Cited**

**U.S. PATENT DOCUMENTS**

D251,508 S \* 4/1979 Maricic ..... D25/119  
4,305,236 A \* 12/1981 Williams ..... 52/11

D314,235 S \* 1/1991 Stuart ..... D23/267  
D454,180 S \* 3/2002 Wessels ..... D23/267

\* cited by examiner

*Primary Examiner*—Robin V. Taylor

(74) *Attorney, Agent, or Firm*—Thomas J. Nikolai; Nikolai  
& Mersereau, P.A.

(57) **CLAIM**

The ornamental design for the “joist gutter”, as shown and described.

**DESCRIPTION**

FIG. 1 is a cross-sectional view of the claimed joist gutter taken along line 1—1 of FIG. 3;

FIG. 2 is a top view of the claimed joist gutter;

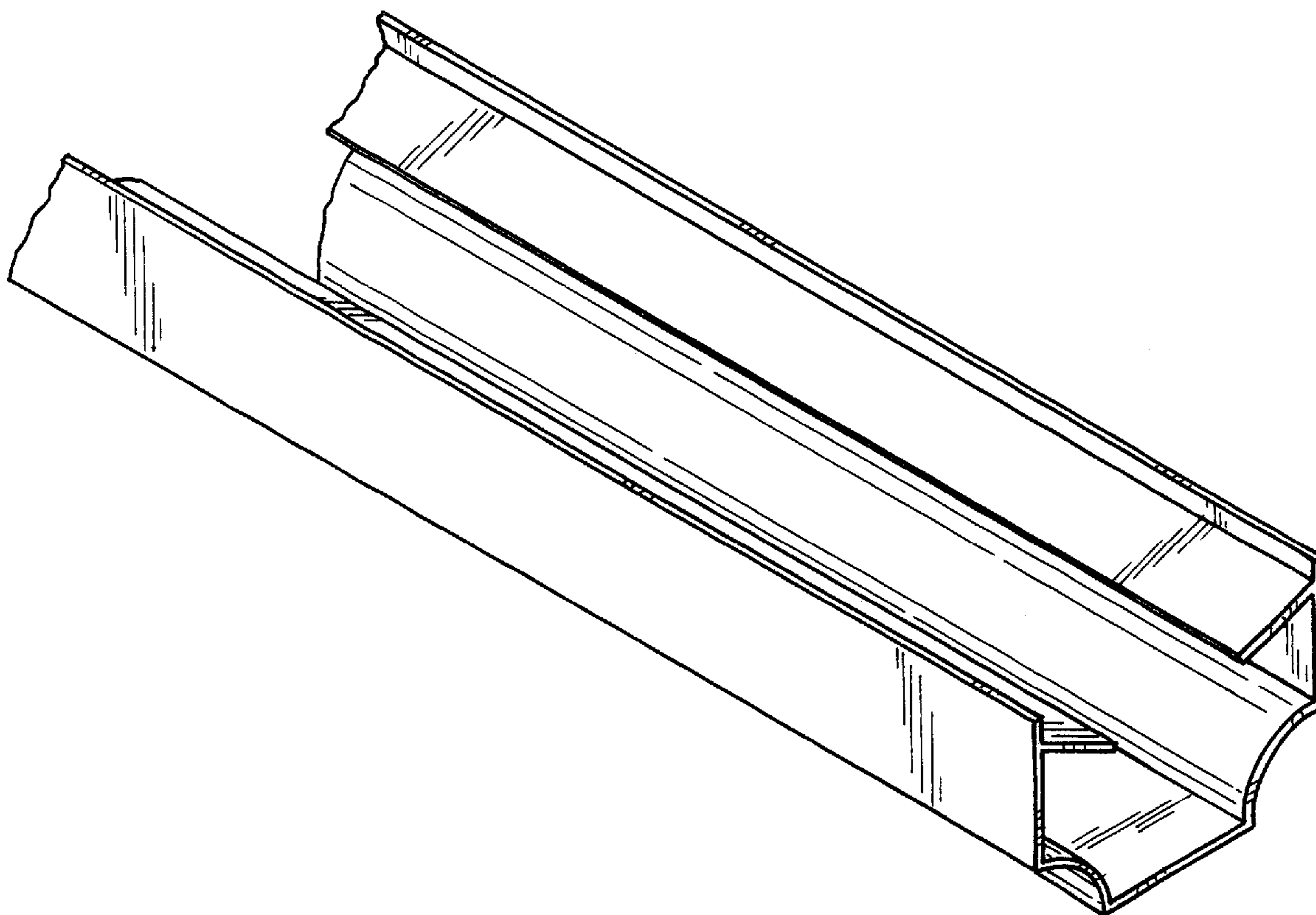
FIG. 3 is a bottom view of the claimed joist gutter;

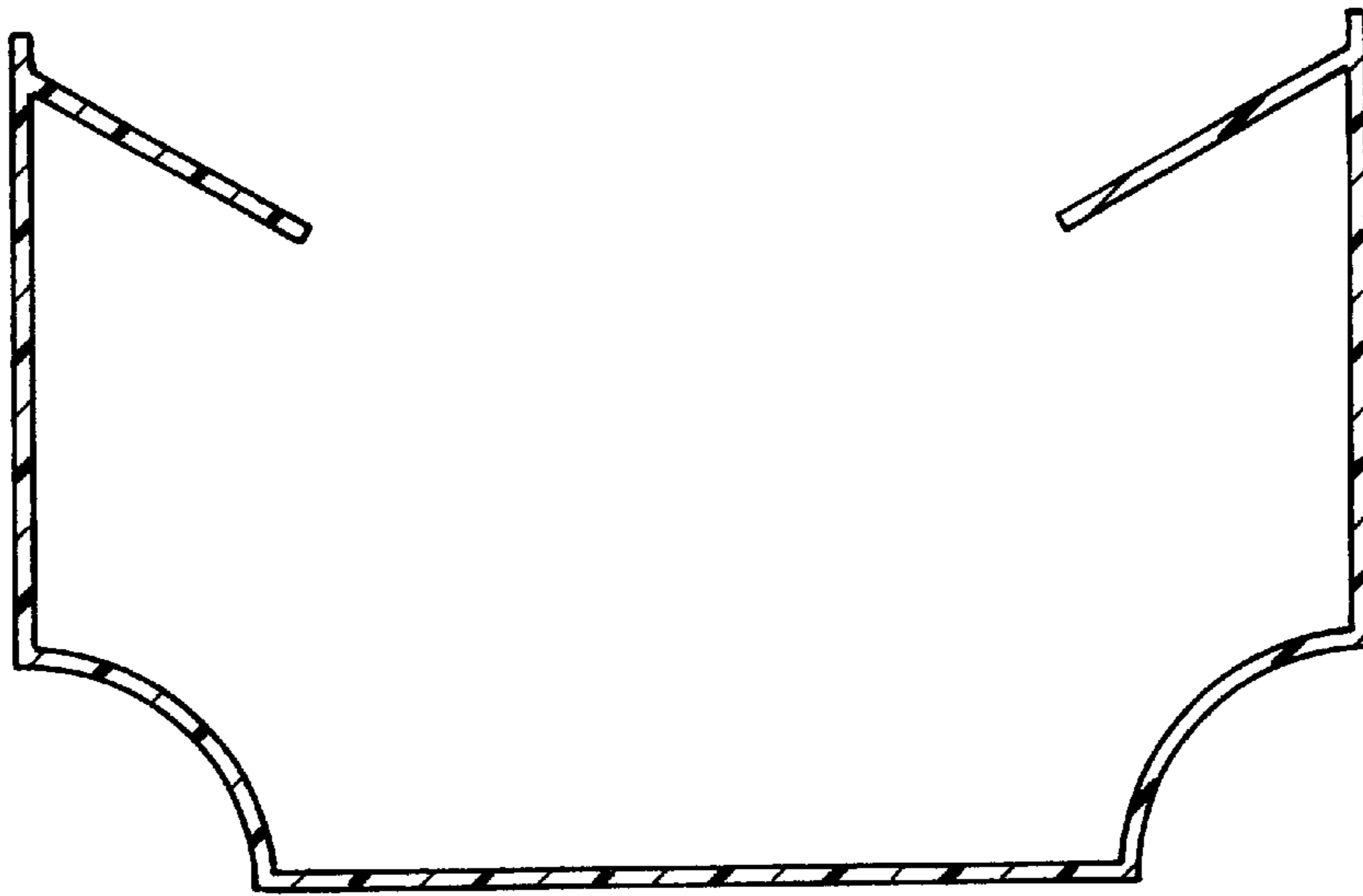
FIG. 4 is a side view of the claimed joist gutter; and,

FIG. 5 is a perspective view of the claimed joist gutter.

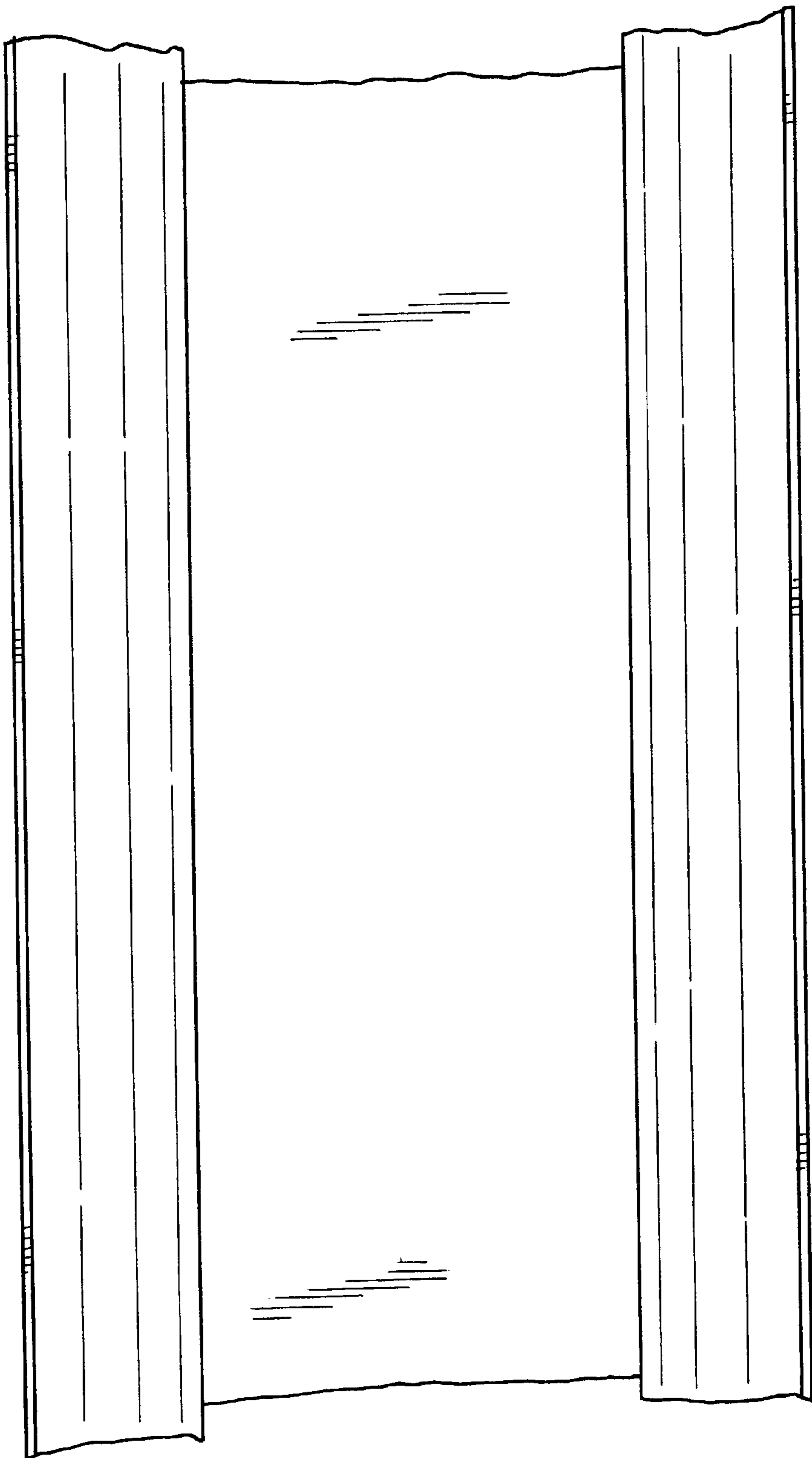
The gutter is shown fragmented to indicate indeterminate length.

**1 Claim, 5 Drawing Sheets**





*FIG. 1*



*FIG. 2*

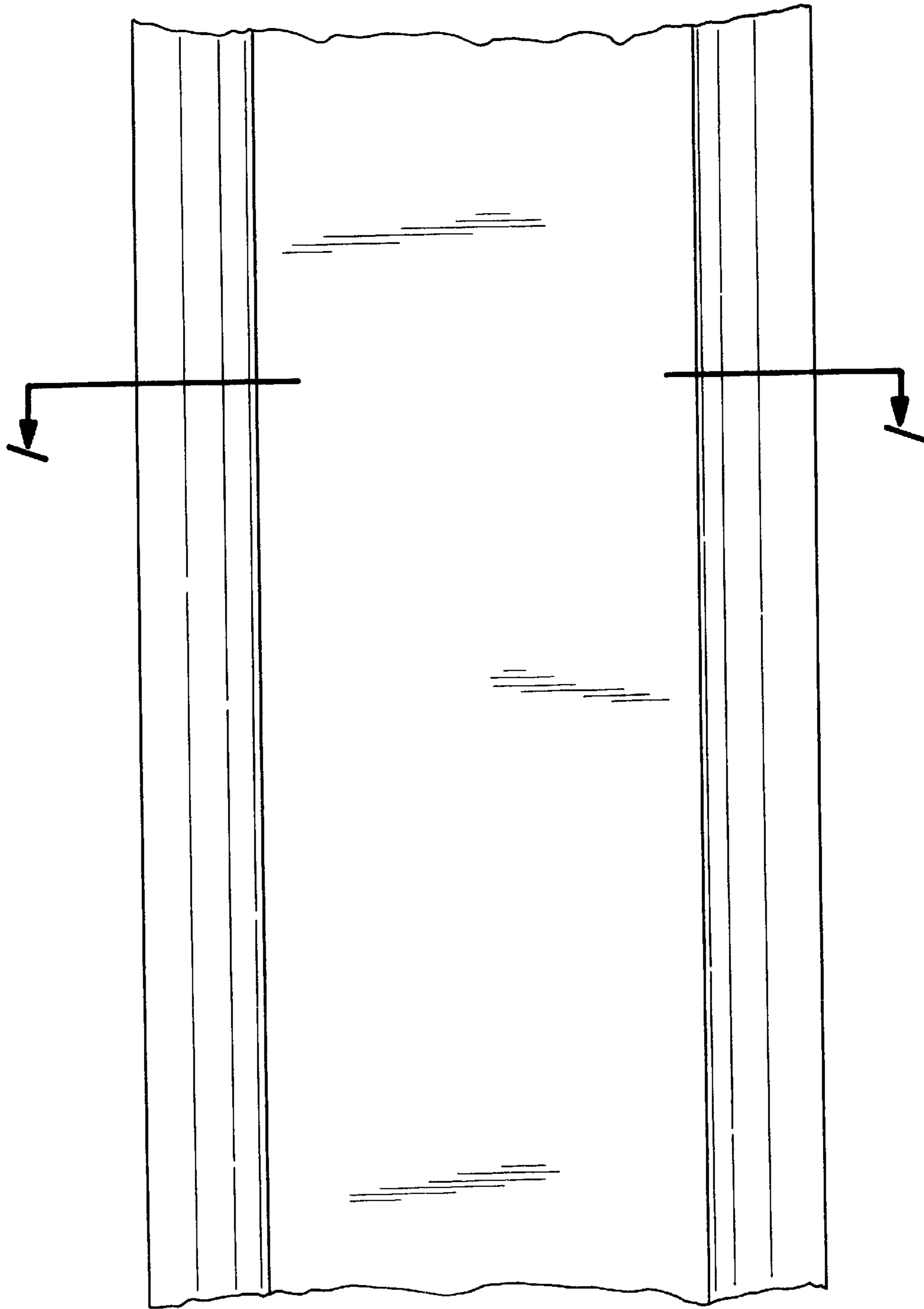
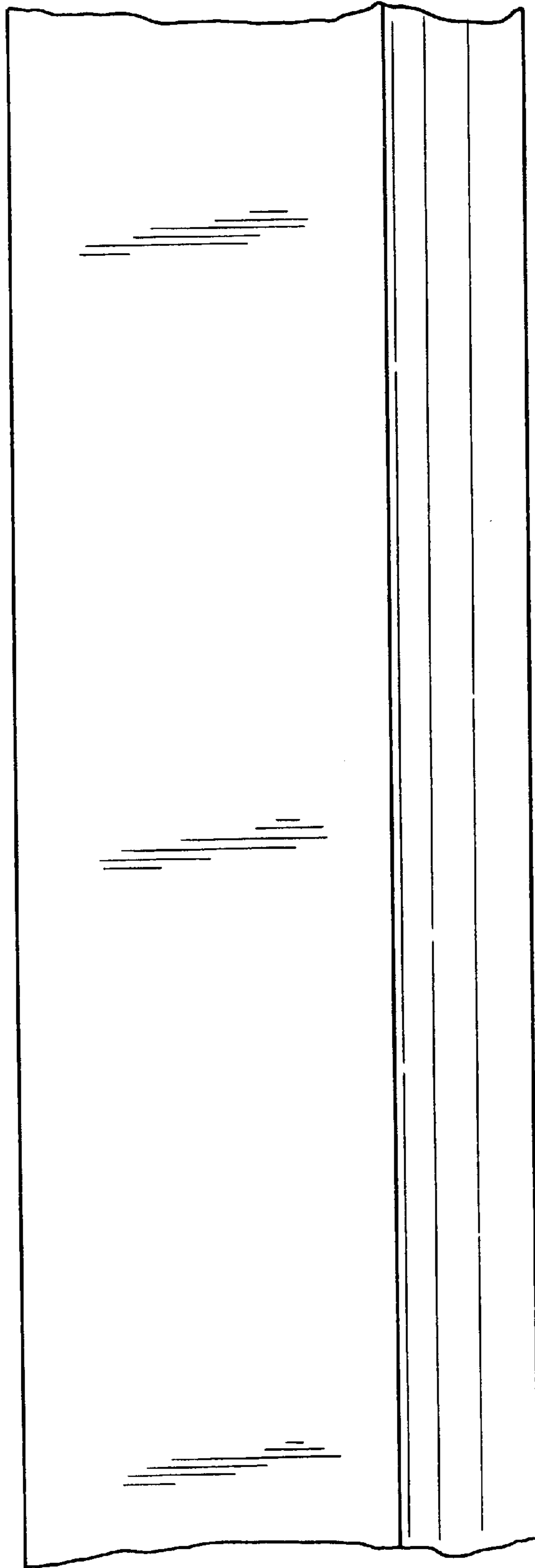
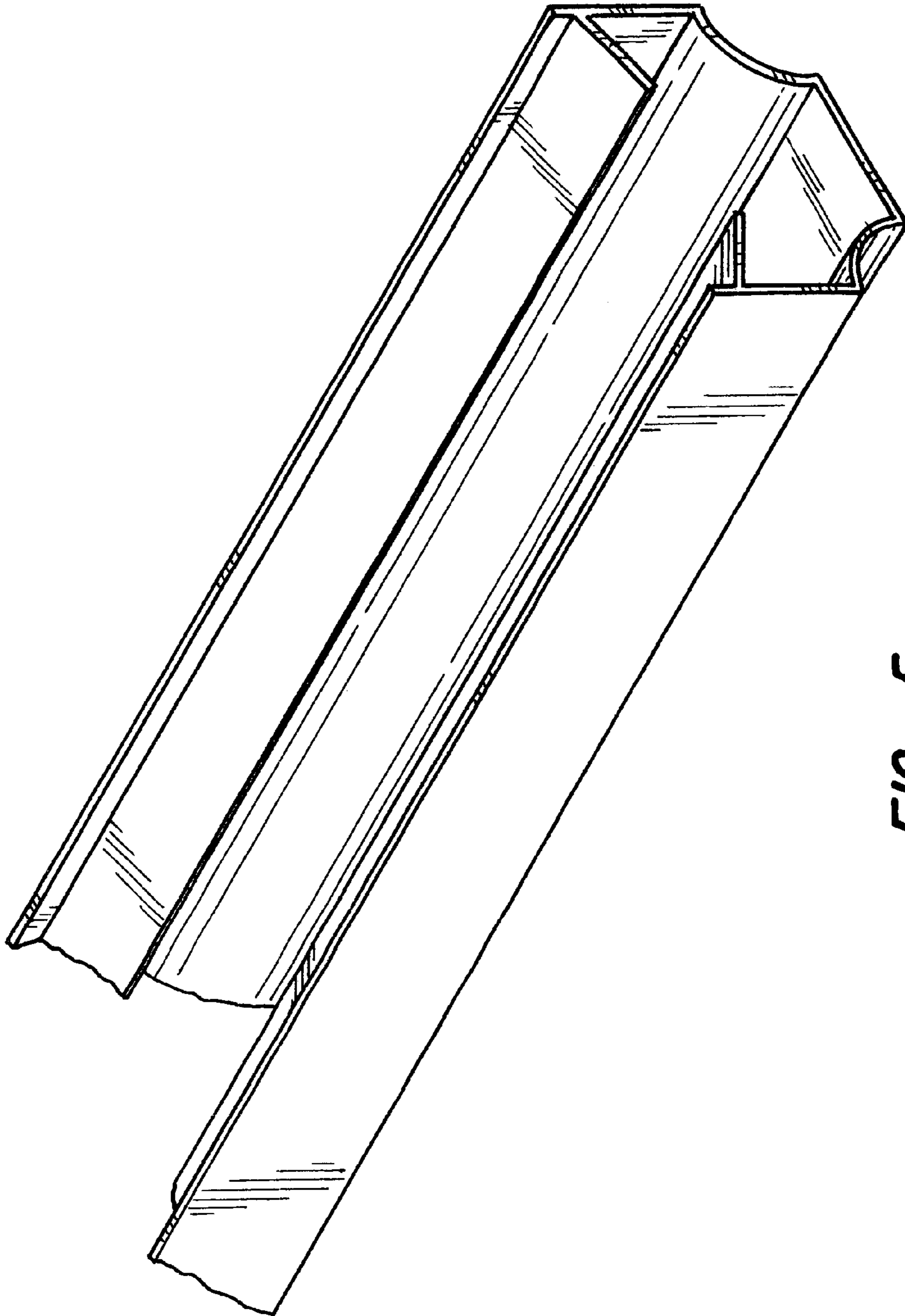


FIG. 3



*FIG. 4*



*FIG. 5*