



US00D483441S

(12) **United States Design Patent**  
**Dole et al.**

(10) **Patent No.: US D483,441 S**

(45) **Date of Patent: \*\* Dec. 9, 2003**

(54) **PIPE COUPLING**

(75) Inventors: **Douglas R. Dole**, Whitehouse Station, NJ (US); **Charles E. Wilk, Jr.**, Northampton, PA (US); **Lawrence W. Thau, Jr.**, Flemington, NJ (US); **Ronald R. Snyder, Sr.**, Schnecksville, PA (US)

(73) Assignee: **Victaulic Company of America**, Easton, PA (US)

(\*\*) Term: **14 Years**

(21) Appl. No.: **29/172,657**

(22) Filed: **Dec. 16, 2002**

(51) **LOC (7) Cl. .... 23-01**

(52) **U.S. Cl. .... D23/262**

(58) **Field of Search .... D23/262, 263, D23/259; 285/369, 372, 373, 417**

(56) **References Cited**

**U.S. PATENT DOCUMENTS**

3,268,244	A	*	8/1966	Kotelly et al. ....	285/235
3,459,445	A	*	8/1969	Parkhill .....	285/302
D234,847	S	*	4/1975	Hoffman .....	D23/262
4,047,743	A		9/1977	Weintraub et al. ....	285/340
4,073,514	A		2/1978	Pate .....	285/127
4,146,252	A	*	3/1979	Buda .....	285/308
4,586,734	A		5/1986	Grenier .....	285/340
D291,482	S	*	8/1987	Vassallo et al. ....	D23/262
5,351,999	A	*	10/1994	Hattori .....	285/404
5,603,530	A		2/1997	Guest .....	285/105
5,695,224	A		12/1997	Grenier .....	285/104
D427,668	S	*	7/2000	Stout, Jr. ....	D23/262
6,106,031	A	*	8/2000	Guginsky .....	285/369
D430,482	S	*	9/2000	Stout, Jr. ....	D8/382
6,499,771	B1		12/2002	Snyder, Sr. et al. ....	285/319

**OTHER PUBLICATIONS**

IMI Yorkshire Fittings Group Web Page, including Tectite Products and Installation (4 pages; downloaded Mar. 15, 2000).

*cuprofit® Push-Fit for the Professionals*, copyright 2001 (1 page; downloaded Nov. 21, 2001).

IBP Group Web Site; web pages downloaded Mar. 15, 2000, including cuprofit®, >B<press and DELCOP® products, all copyrighted 1998 IBP (12 pages total).

U.S. patent application Ser. No. 10/007,951, filed Dec. 3, 2001, entitled "Mechanical Pipe Coupling Derived from a Standard Fitting" (Snyder Sr. et al).

U.S. patent application Ser. No. 10/123,607, filed Apr. 16, 2002, entitled "Mechanical Pipe Coupling Derived from a Standard Fitting" (Snyder Sr. et al).

(List continued on next page.)

*Primary Examiner*—Robin V. Taylor

(74) *Attorney, Agent, or Firm*—Synnestvedt & Lechner LLP

(57) **CLAIM**

The ornamental design for a pipe coupling, as shown and described.

**DESCRIPTION**

FIG. 1 is a perspective view of a first embodiment of our design for a pipe coupling;

FIG. 2 is a side view of the pipe coupling shown in FIG. 1, the opposite side, the top and bottom views being identical thereto;

FIG. 3 is an end view of the pipe coupling shown in FIG. 1, the opposite end view being identical;

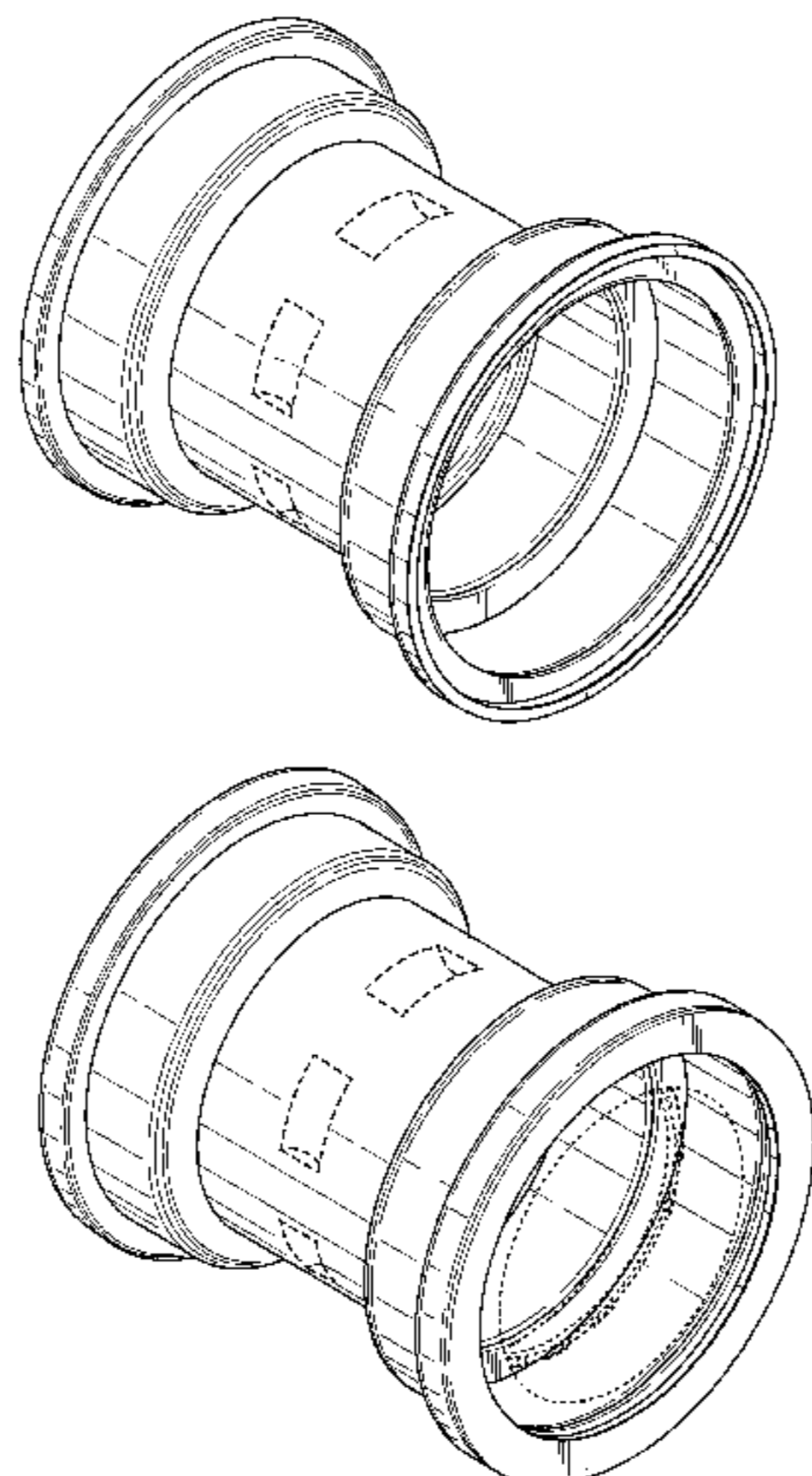
FIG. 4 is a perspective view of a second embodiment of our design for a pipe coupling;

FIG. 5 is a side view of the pipe coupling shown in FIG. 4, the opposite side, the top and bottom views being identical thereto; and,

FIG. 6 is an end view of the pipe coupling shown in FIG. 4, the opposite end view being identical.

The broken lines shown in the various Figures are shown for illustrative purposes only and form no part of the claimed design.

**1 Claim, 2 Drawing Sheets**



OTHER PUBLICATIONS

U.S. patent application Ser. No. 10/299,164, filed Nov. 19, 2002, entitled "Clamping Mechanical Pipe Coupling Derived from a Standard Fitting" (Snyder Sr. et al).

U.S. patent application Ser. No. 10/299,281, filed Nov. 19, 2002, entitled "Triple-Expanded Mechanical Pipe Coupling Derived from a Standard Fitting" (Snyder Sr. et al).

U.S. Design patent application Ser. No. 29/172,661, filed Dec. 16, 2002, entitled Pipe Coupling (Snyder Sr. et al).

U.S. Design patent application Ser. No. 29/172,660, filed Dec. 16, 2002, entitled Elbow Coupling (Snyder Sr. et al).

U.S. Design patent application Ser. No. 29/172,658, filed Dec. 16, 2002, entitled Tee Coupling (Snyder Sr. et al).

U.S. Design patent application Ser. No. 29/172,654, filed Dec. 16, 2002, entitled Elbow Coupling (Dole et al).

U.S. Design patent application Ser. No. 29/172,645, filed Dec. 16, 2002, entitled Tee Coupling (Dole et al).

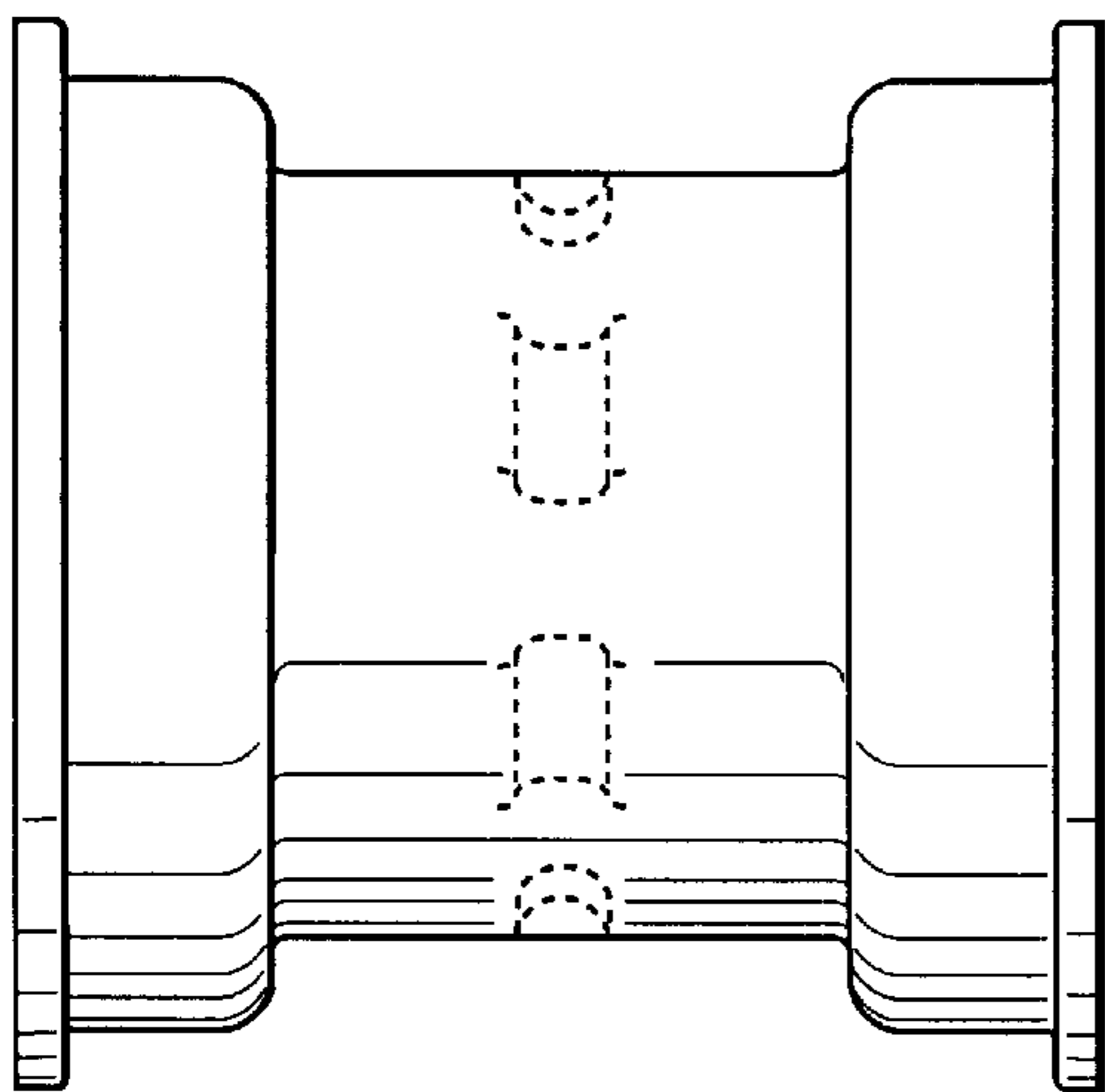
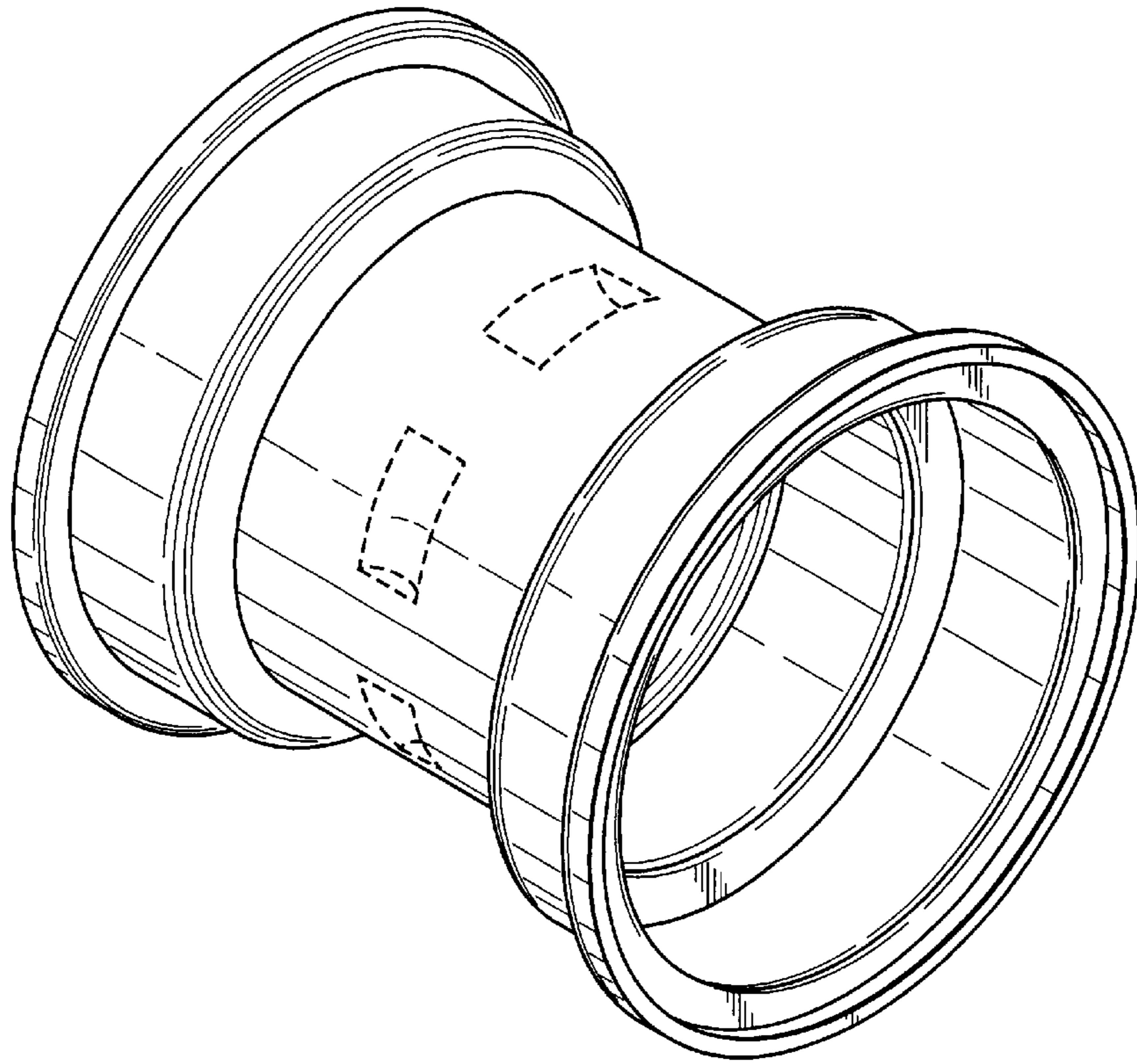
U.S. Design patent application Ser. No. 29/172,659, filed Dec. 16, 2002, entitled Pipe Coupling (Wilk, Jr. et al).

U.S. Design patent application Ser. No. 29/172,644, filed Dec. 16, 2002, entitled Elbow Coupling (Wilk Jr. et al).

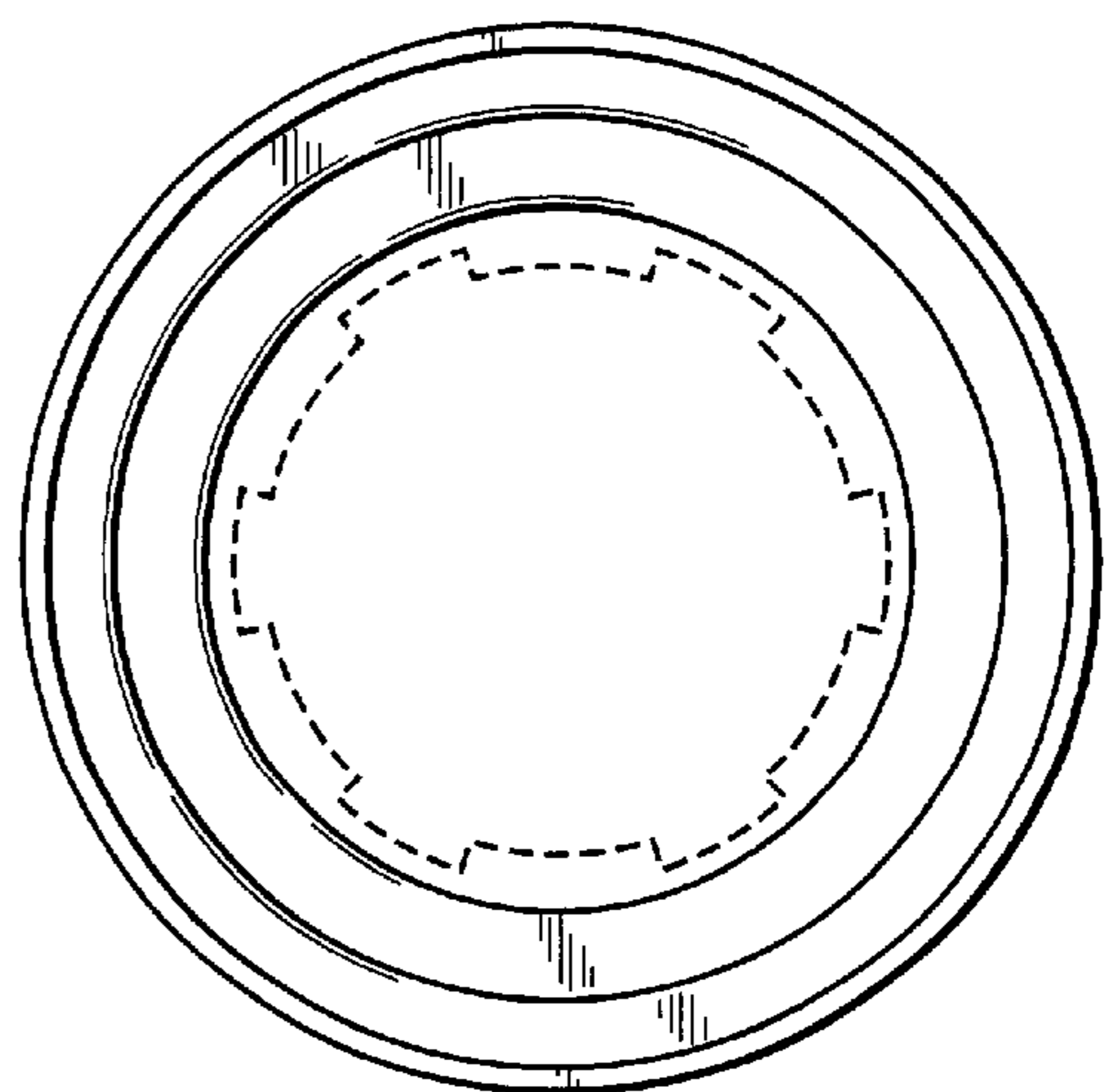
U.S. Design patent application Ser. No. 29/172,643, filed Dec. 16, 2002, entitled Tee Coupling (Wilk Jr. et al).

\* cited by examiner

**FIG. 1**



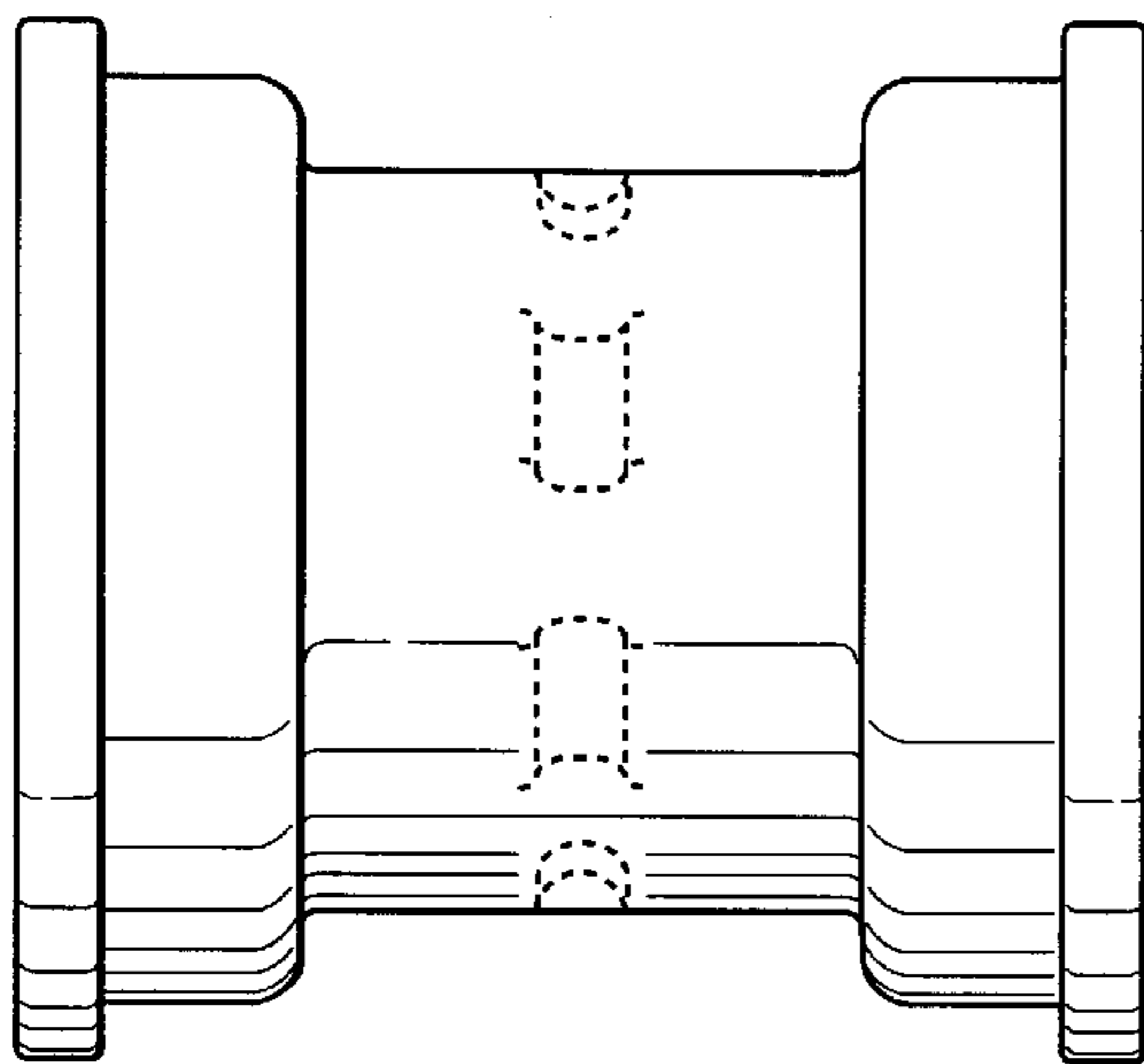
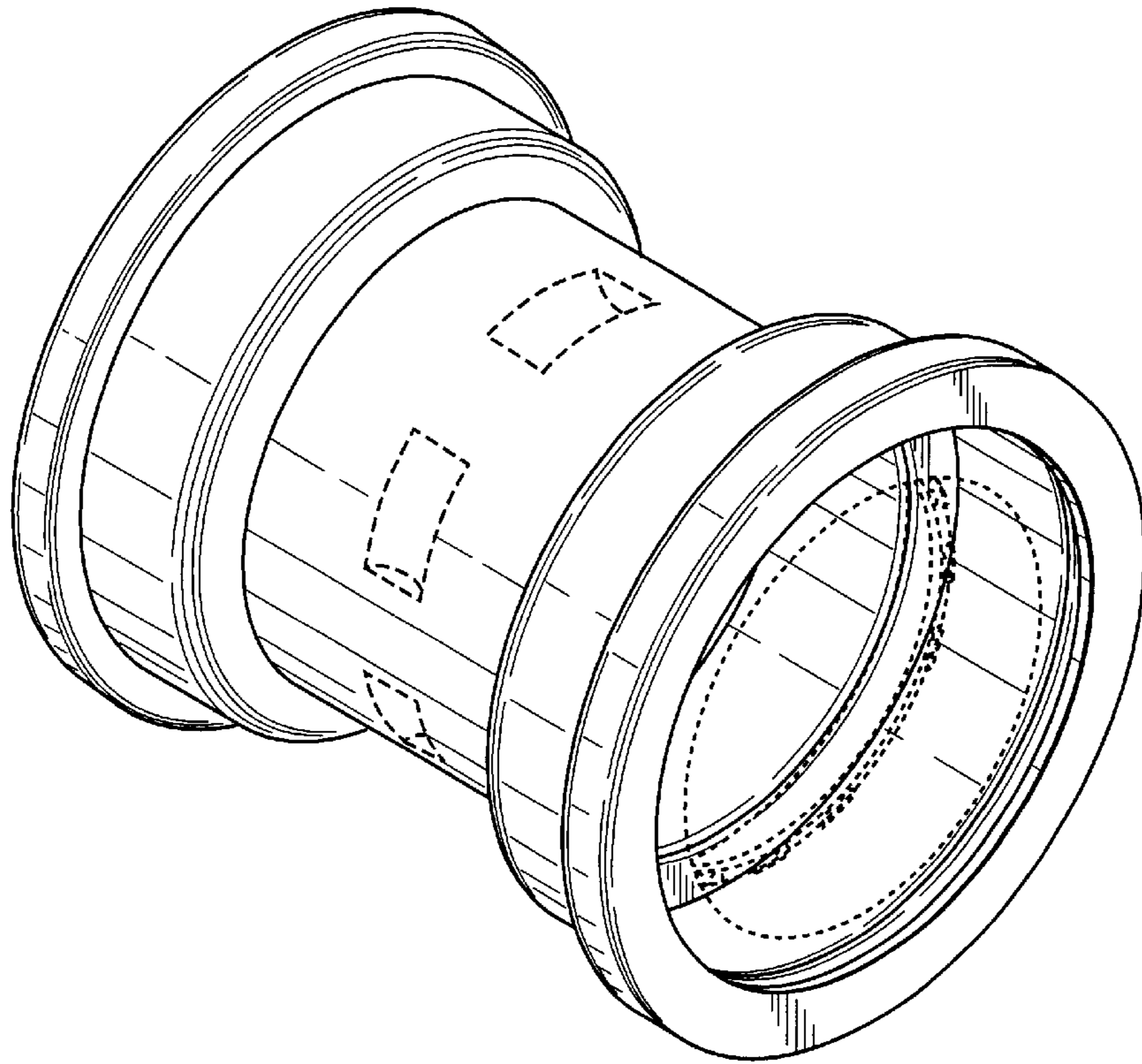
**FIG. 2**



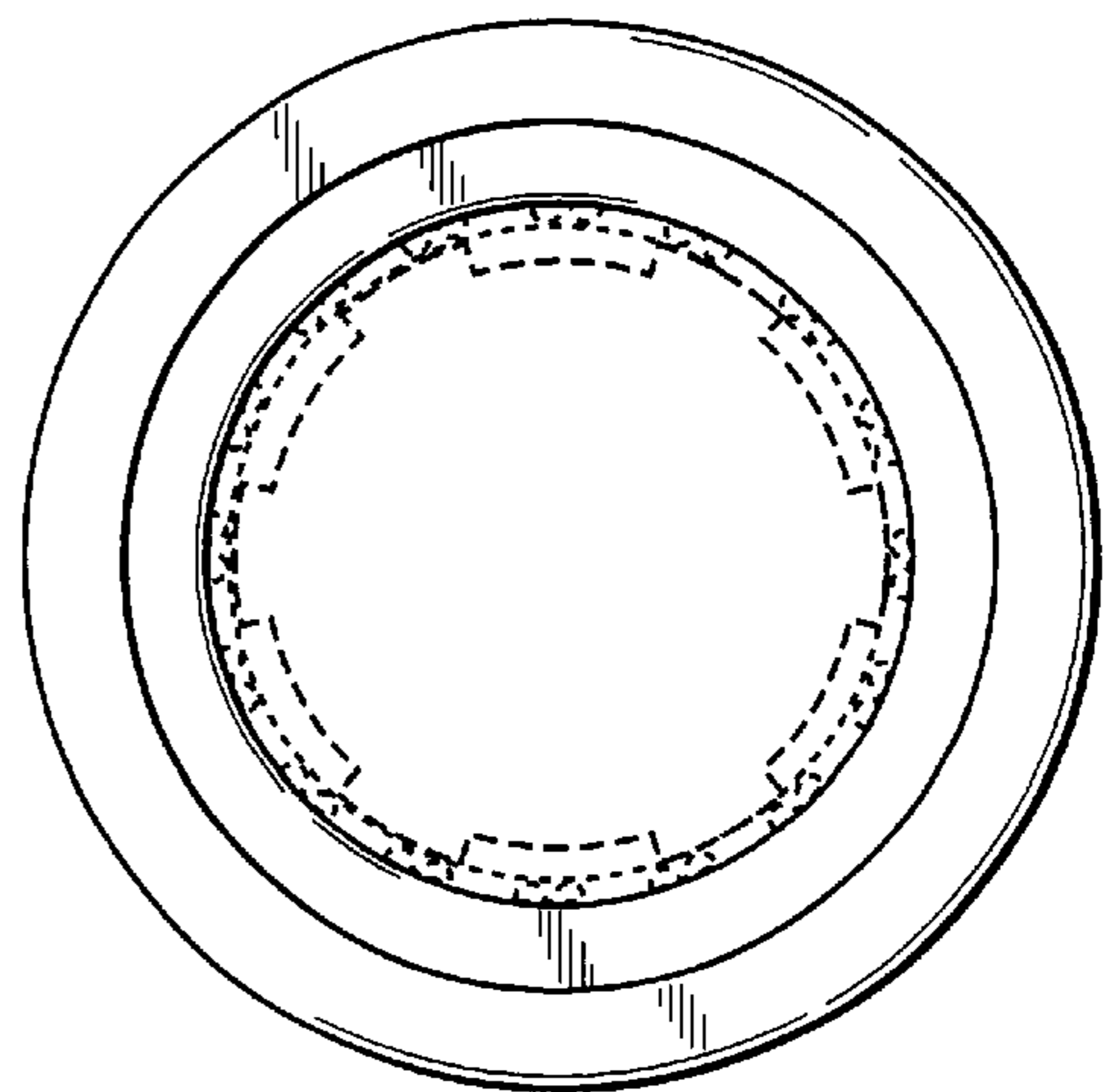
**FIG. 3**



**FIG. 4**



**FIG. 5**



**FIG. 6**