



US00D483440S

(12) **United States Design Patent**  
**Smith**

(10) **Patent No.:** **US D483,440 S**

(45) **Date of Patent:** **\*\* Dec. 9, 2003**

(54) **HANDLE**

Undated Jado catalog ad showing a lever handle.

(75) Inventor: **Michael S. Smith**, Santa Monica, CA (US)

\* cited by examiner

(73) Assignee: **Kallista, Inc.**, Kohler, WI (US)

*Primary Examiner*—Louis S. Zarfes

*Assistant Examiner*—Gregory Andoll

(\*\*) Term: **14 Years**

(74) *Attorney, Agent, or Firm*—Quarles & Brady LLP

(21) Appl. No.: **29/174,887**

(57) **CLAIM**

(22) Filed: **Jan. 27, 2003**

The ornamental design for a handle, as shown and described.

**Related U.S. Application Data**

**DESCRIPTION**

(62) Division of application No. 29/154,792, filed on Jan. 29, 2002, now Pat. No. Des. 471,257.

In a preferred embodiment, the nature of this product is as a plumbing handle and escutcheon which is primarily useful for controlling a rotatable valve stem.

(51) **LOC (7) Cl.** ..... **23-01**

FIG. 1 is a left, top, front perspective view of a handle embodying my new design;

(52) **U.S. Cl.** ..... **D23/252**

FIG. 2 is a front elevational view thereof;

(58) **Field of Search** ..... D23/238–243, D23/245, 250–257; D8/300–322, 350–353, DIG. 3; 16/110.1; 4/675–678; 137/801

FIG. 3 is a top plan view thereof;

FIG. 4 is a left side elevational view thereof;

(56) **References Cited**

FIG. 5 is a right side elevational view thereof;

**U.S. PATENT DOCUMENTS**

FIG. 6 is a rear elevational view thereof;

FIG. 7 is a bottom plan view thereof; and,

D20,552 S	3/1891	Schmidt	.....	D8/308
D261,857 S	11/1981	Valli	.....	D8/308
D331,004 S	11/1992	Birch	.....	D8/308
D357,305 S	* 4/1995	Fabian	.....	D23/252
D385,954 S	11/1997	Hundley et al.	.....	D23/252
D402,005 S	* 12/1998	Ko	.....	D23/252
D428,474 S	* 7/2000	Milrud et al.	.....	D23/252
D434,113 S	11/2000	Lord	.....	D23/250
D471,257 S	* 3/2003	Smith	.....	D23/252

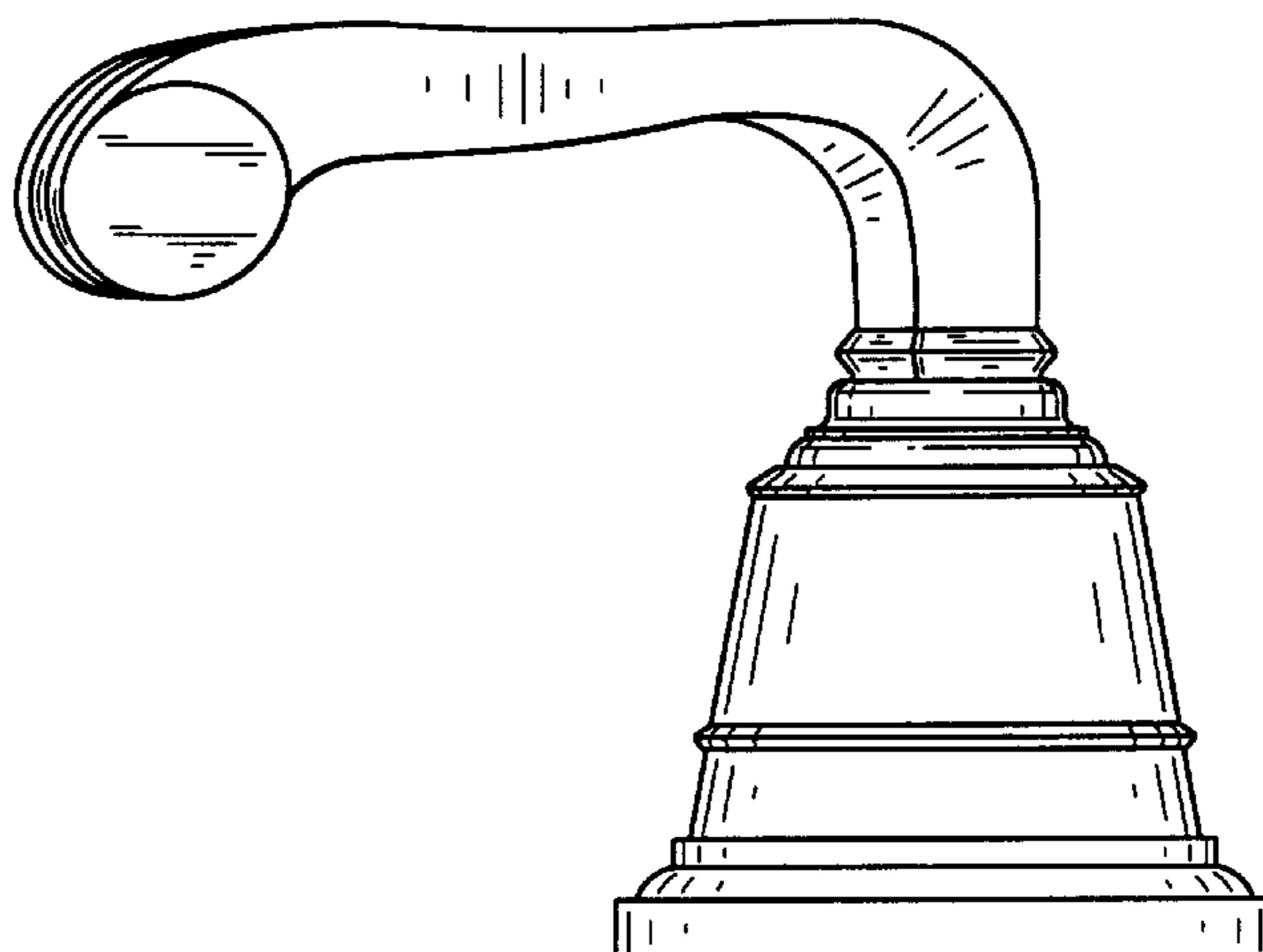
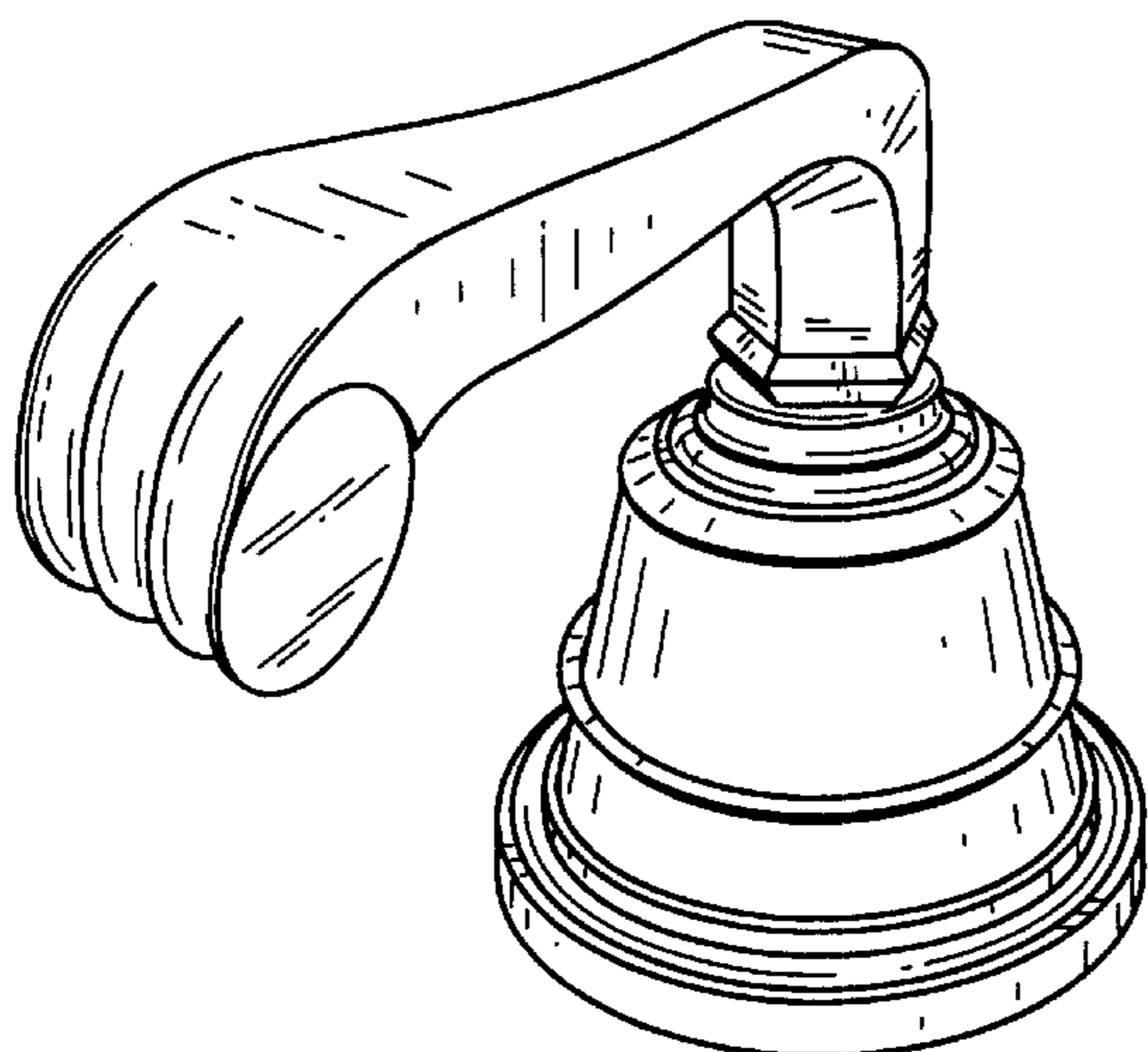
FIG. 8 is a top plan view of a second embodiment, the front elevational view being a mirror image of that shown in FIG. 2, the right side elevational view being a mirror image of that shown in FIG. 4, the left side elevational view being a mirror image of that shown in FIG. 5, the rear elevational view being a mirror image of that shown in FIG. 6, and the bottom plan view being a mirror image of that shown in FIG. 7.

**OTHER PUBLICATIONS**

The broken line representation of mounting structure in FIG. 7 is for the purpose of illustration only, and forms no part of the claimed design.

1985 Masco catalog ad showing an “Epic” lever handle.  
Undated Broadway catalog ad showing an “English Rope Suite” lever handle.

**1 Claim, 3 Drawing Sheets**



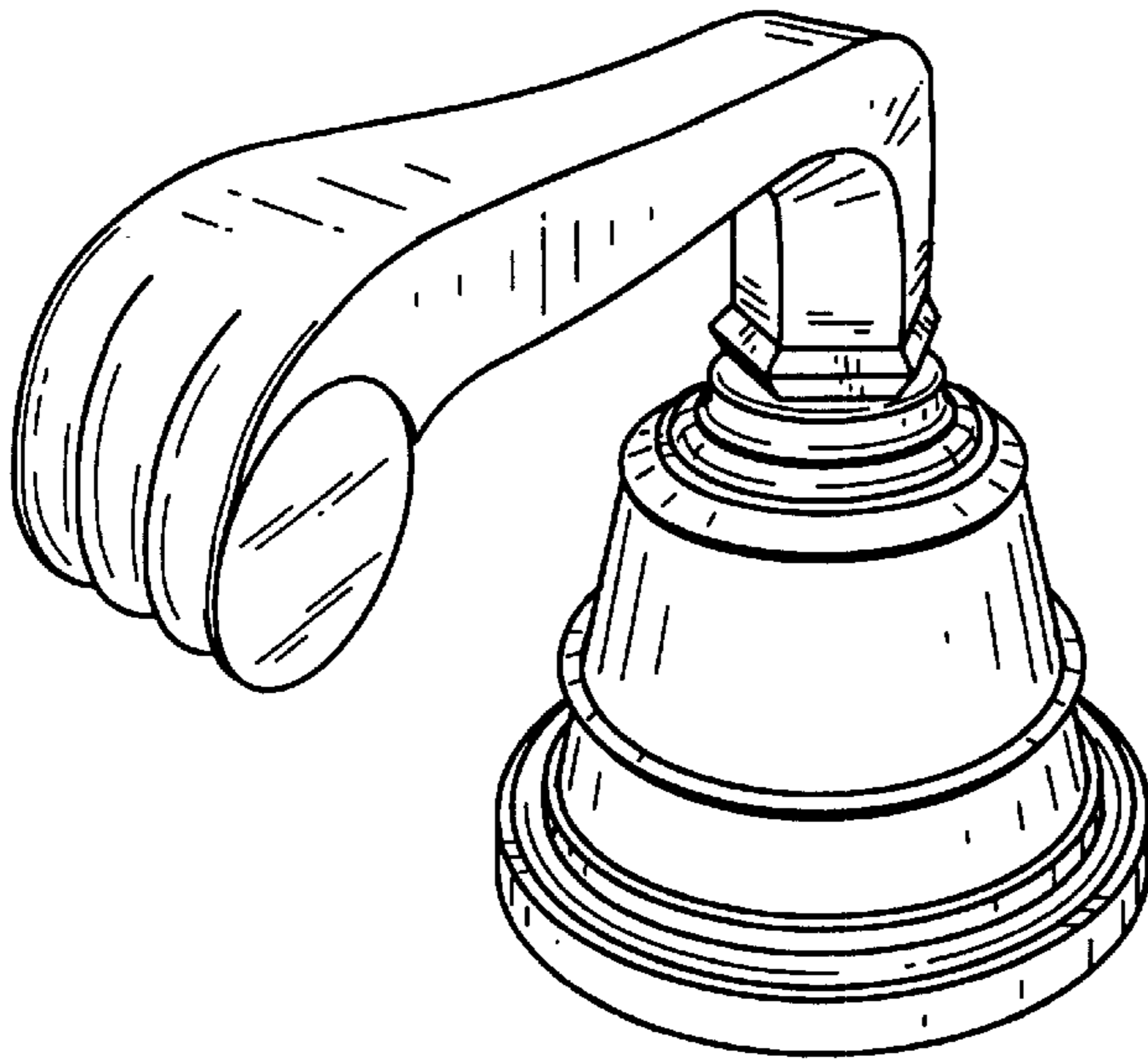


FIG. 1

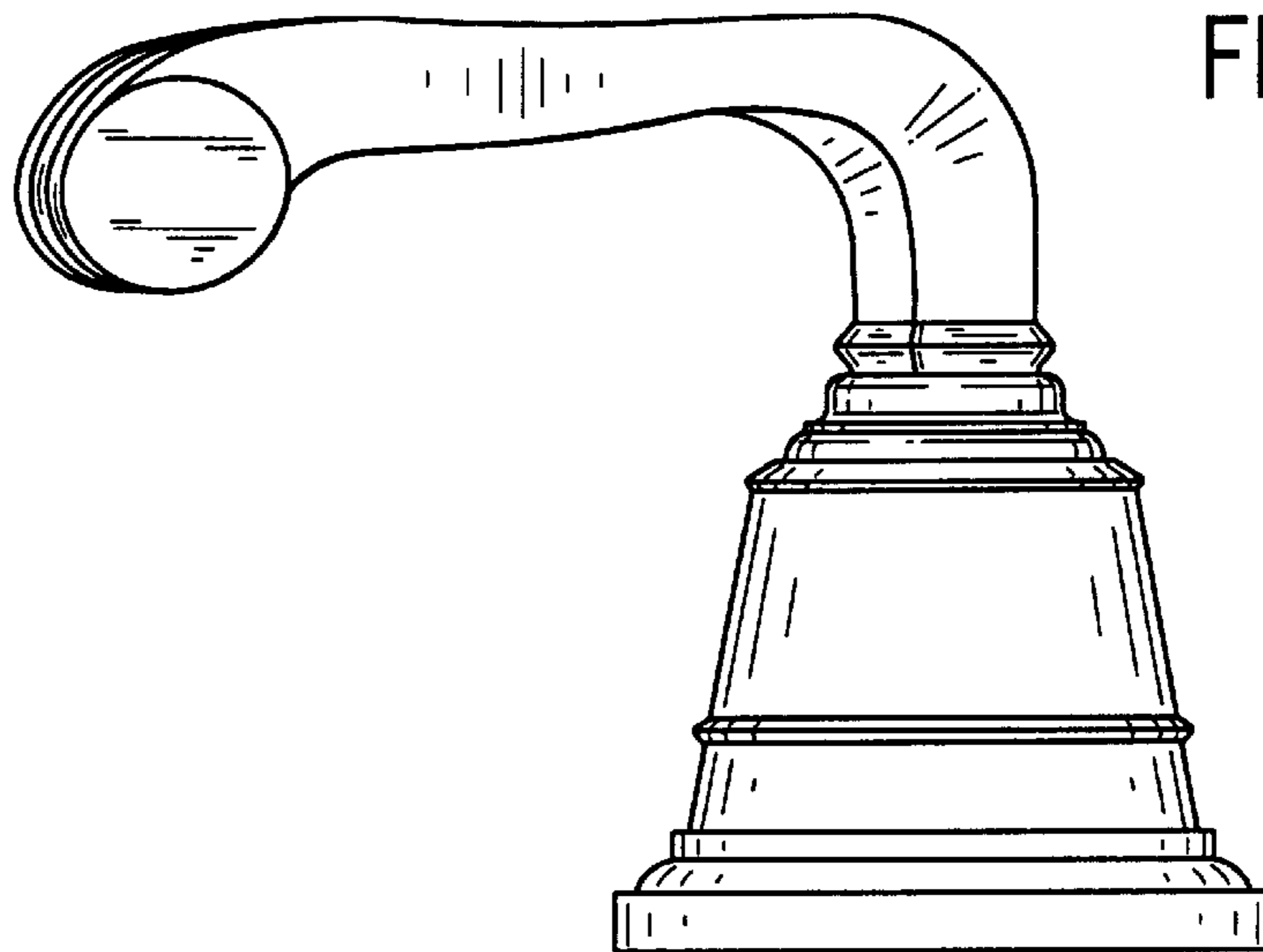


FIG. 2

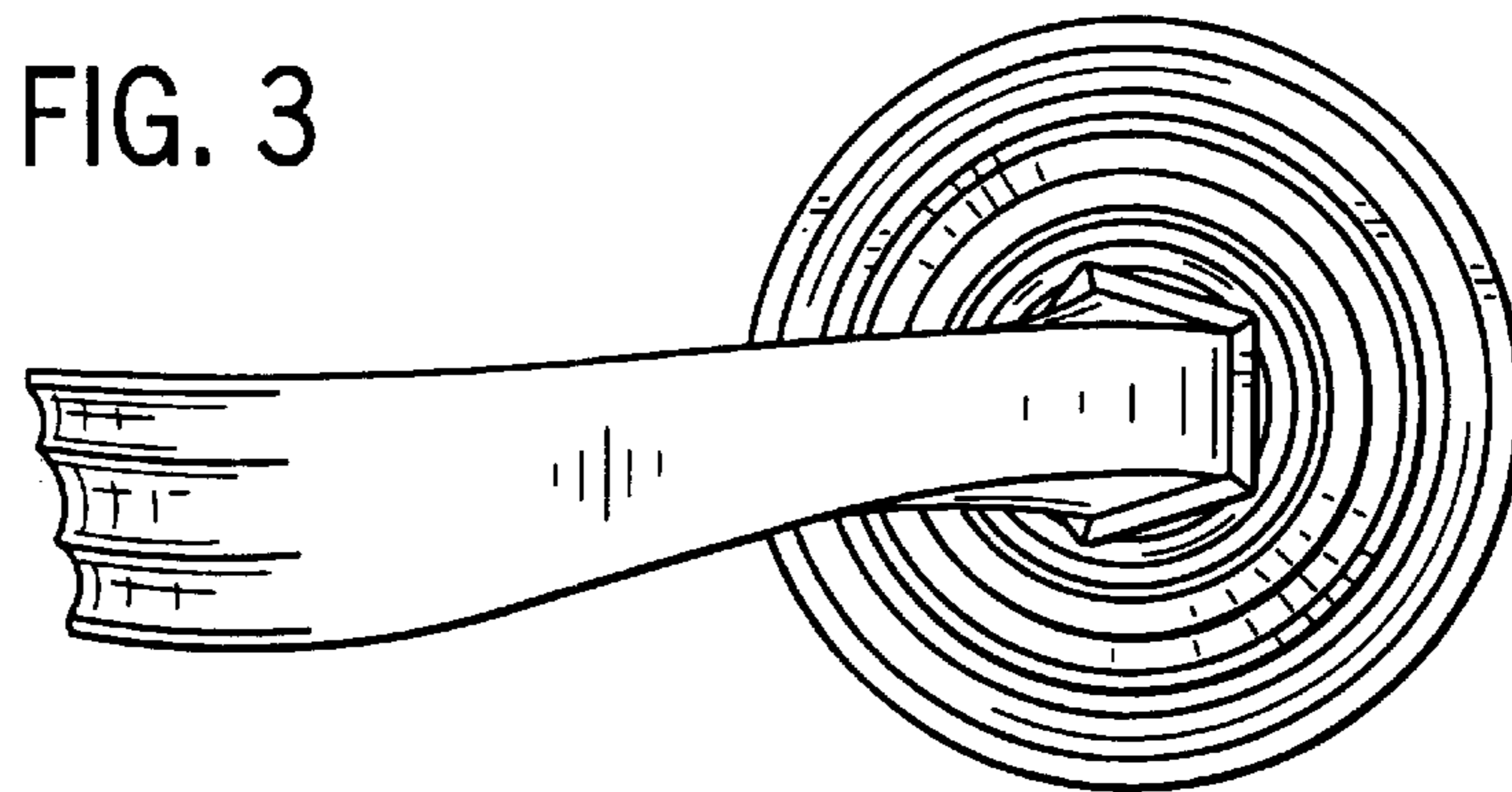


FIG. 3

FIG. 4

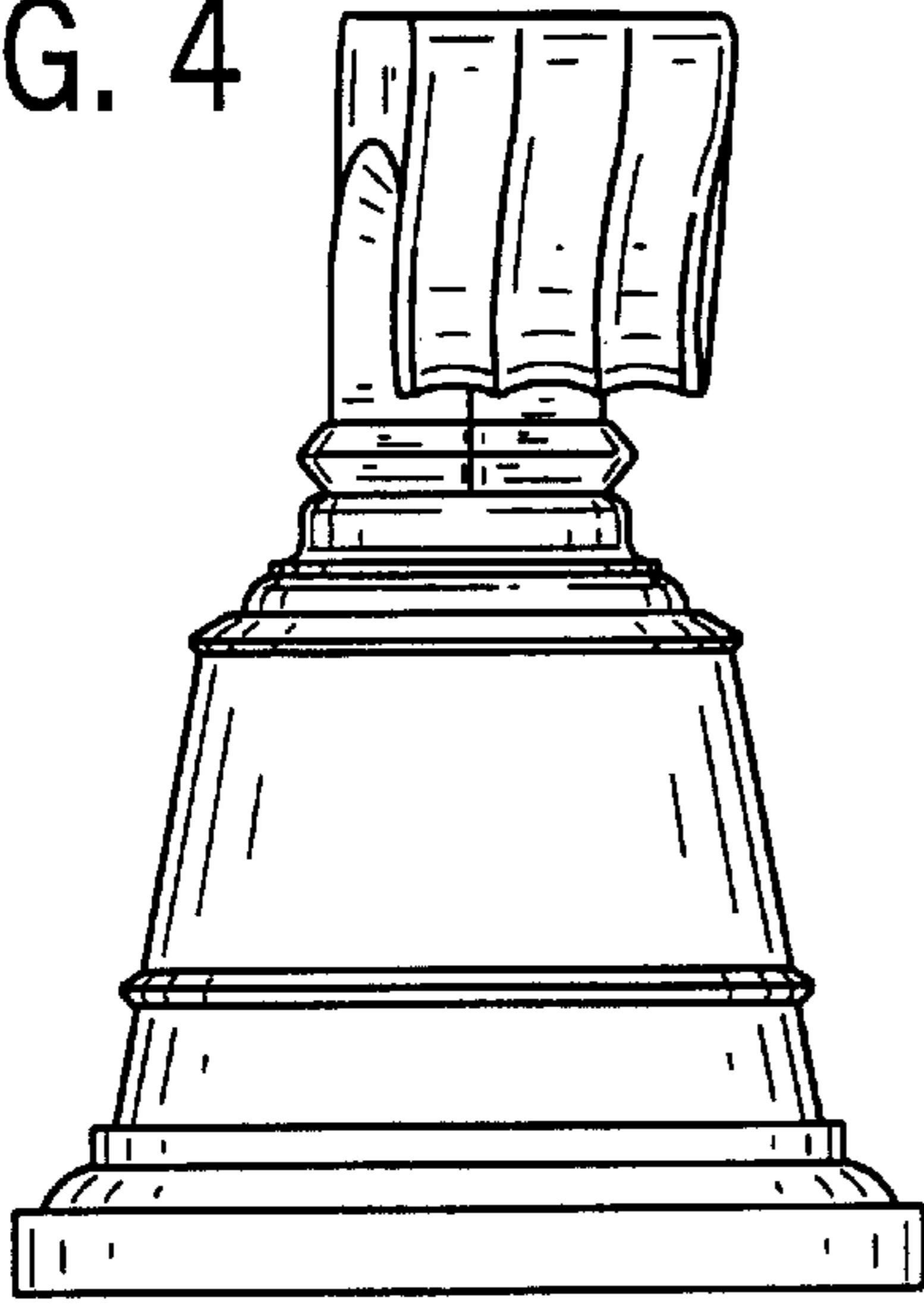


FIG. 5

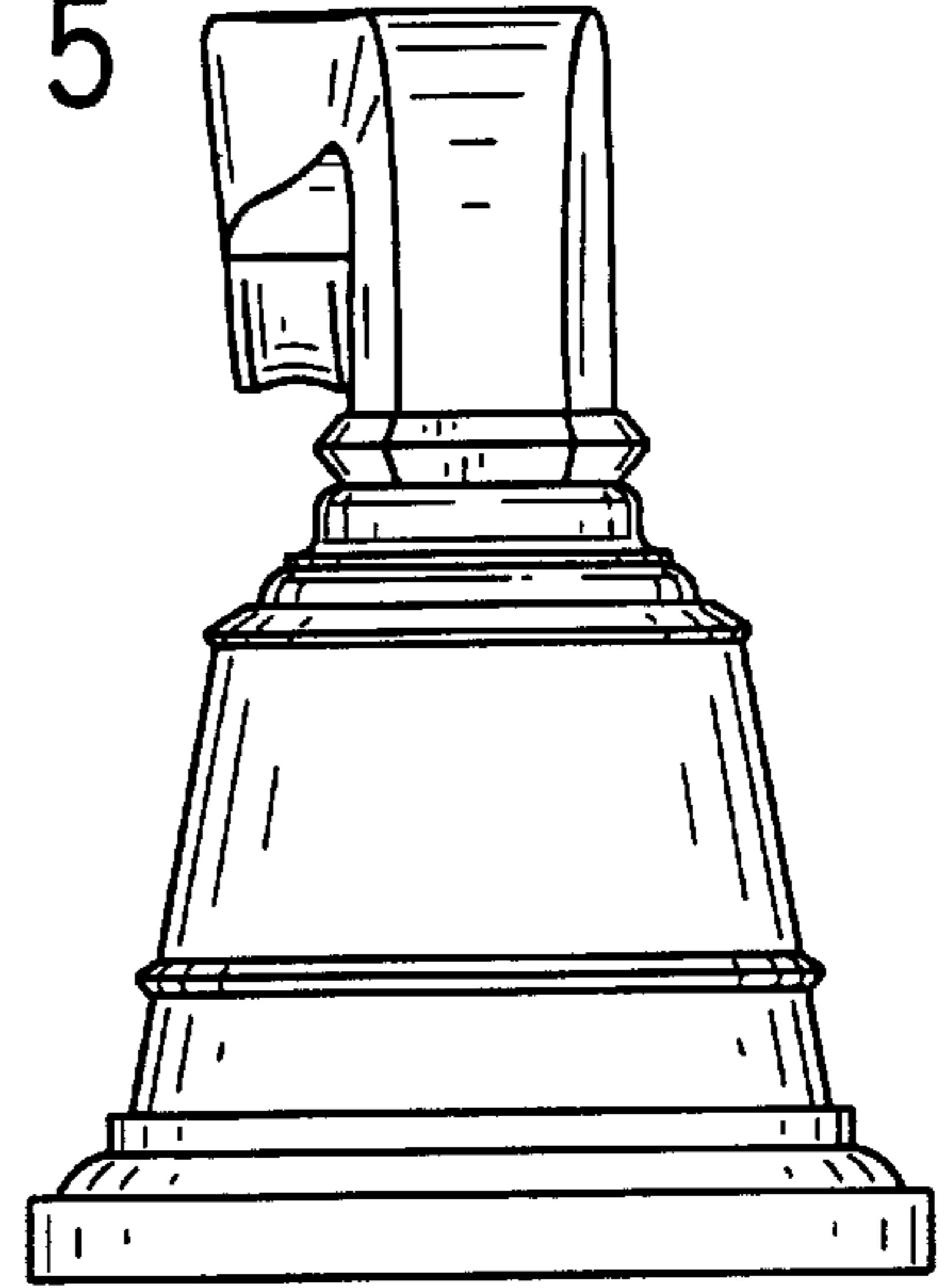


FIG. 6

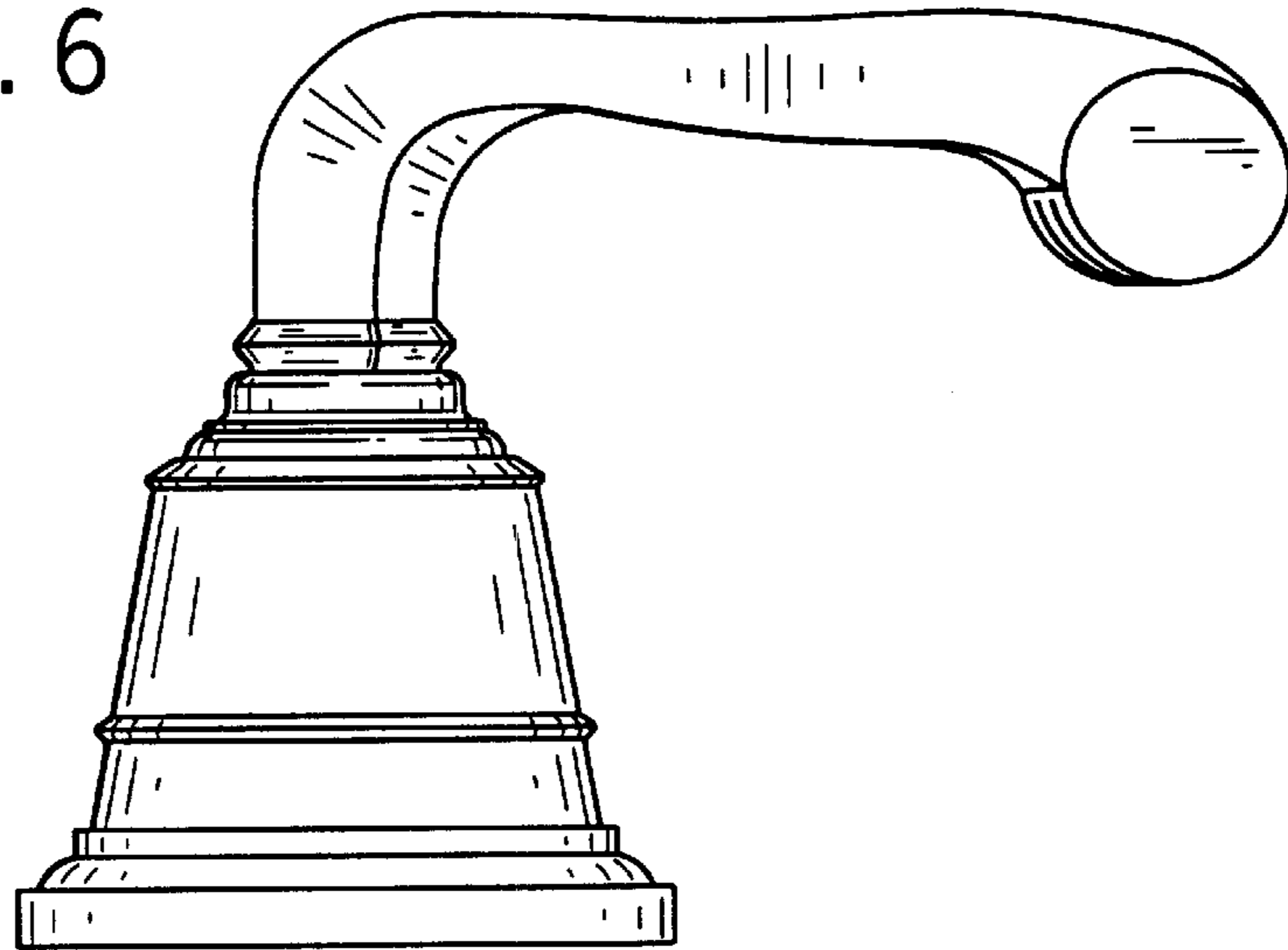
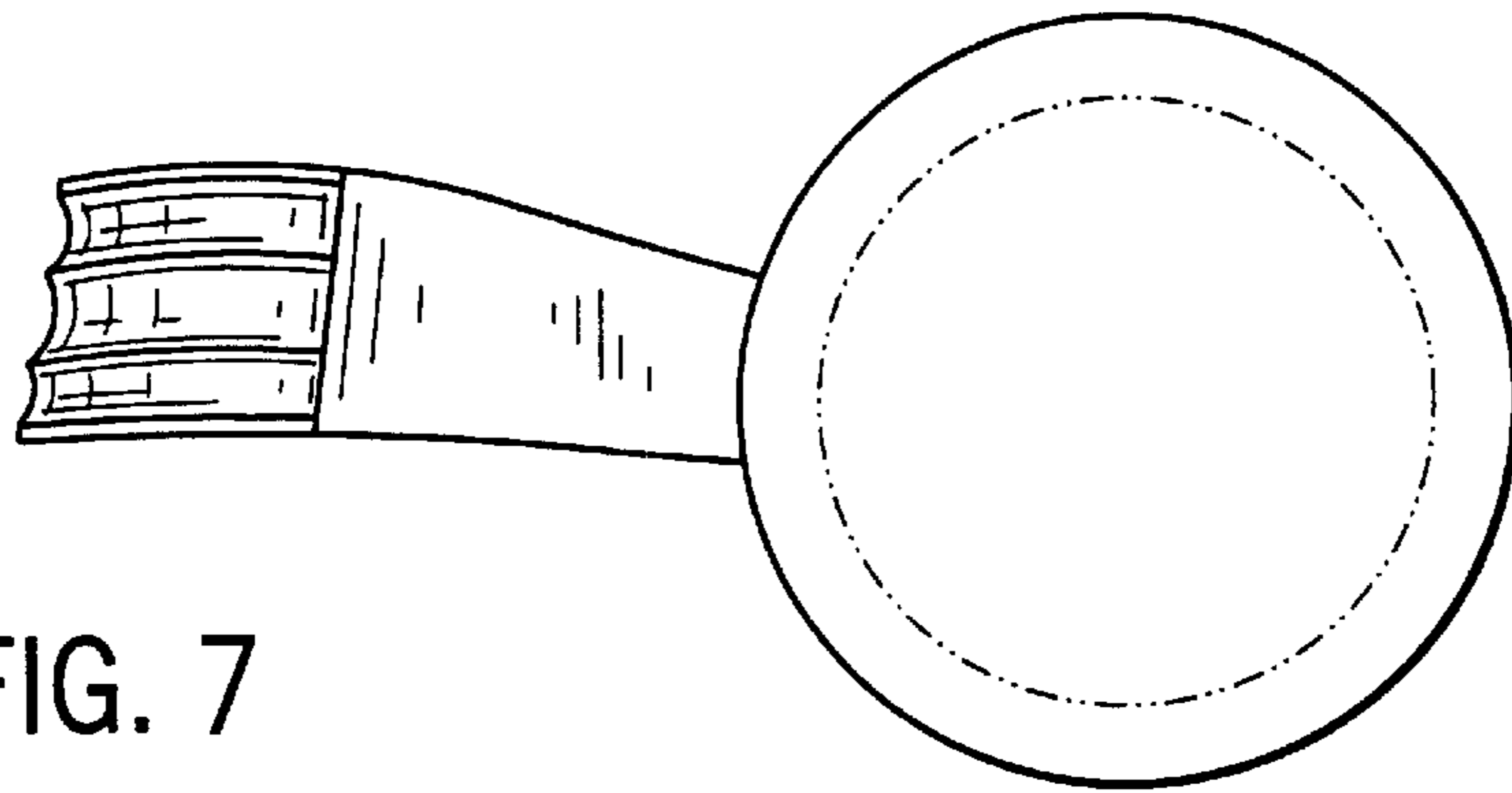


FIG. 7



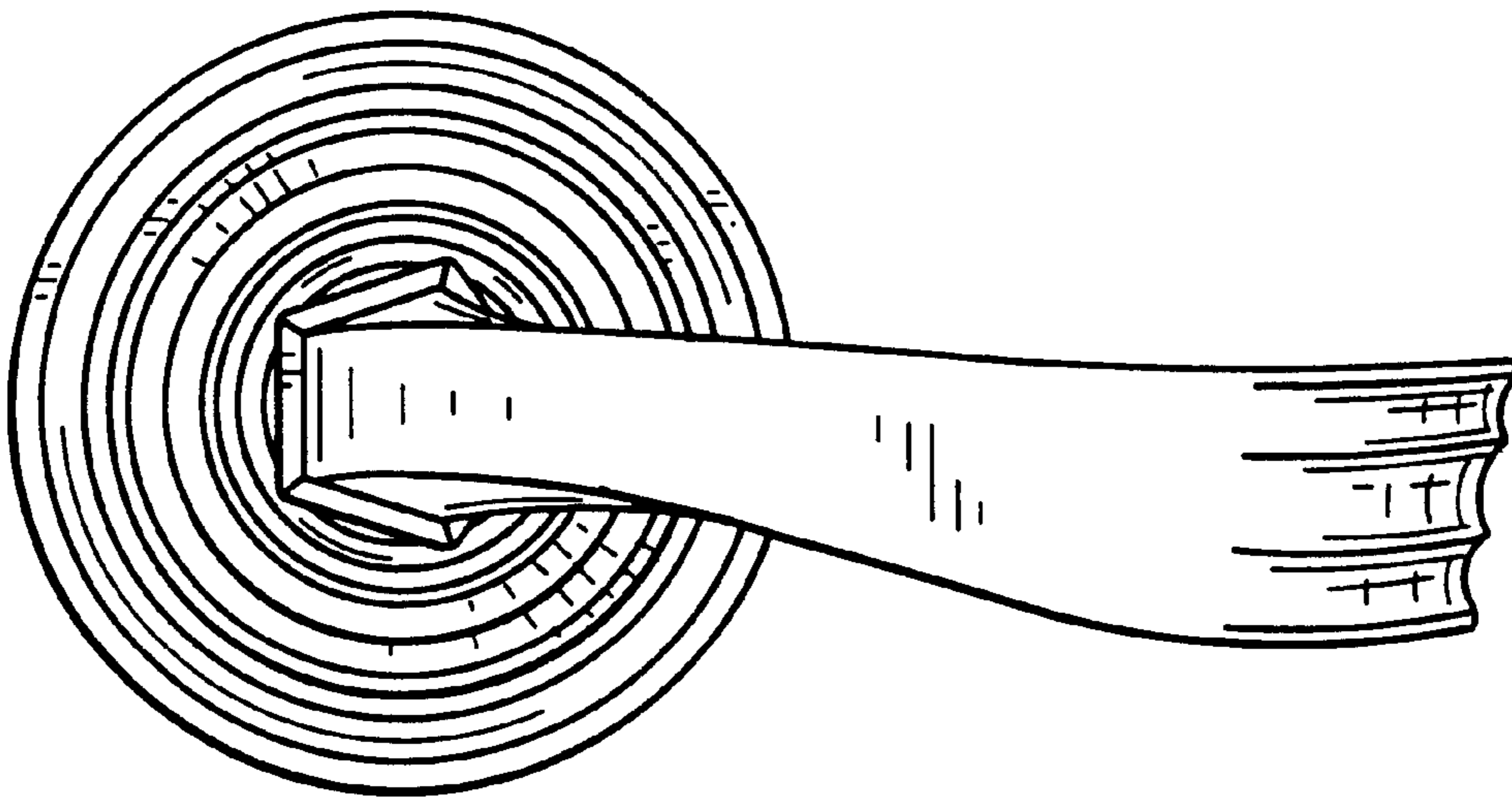


FIG. 8