



US00D483439S

(12) **United States Design Patent** (10) **Patent No.:** **US D483,439 S**  
**Thomas** (45) **Date of Patent:** **\*\* Dec. 9, 2003**

(54) **HANDLE**

(75) Inventor: **Carter J. Thomas**, Cedarburg, WI (US)

(73) Assignee: **Kohler Co.**, Kohler, WI (US)

(\*\*) Term: **14 Years**

(21) Appl. No.: **29/168,153**

(22) Filed: **Sep. 26, 2002**

(51) **LOC (7) Cl.** ..... **23-01**

(52) **U.S. Cl.** ..... **D23/250; D23/252**

(58) **Field of Search** ..... D23/238-243,  
D23/245, 250-257; D8/300-322, 350-353,  
DIG. 3; 16/110.1; 4/675-678; 137/801,  
359; D9/449

(56) **References Cited**

**U.S. PATENT DOCUMENTS**

3,533,436 A \* 10/1970 Parkison ..... 137/359  
D356,499 S \* 3/1995 Cautereels et al. .... D9/449  
D416,607 S \* 11/1999 Gottwald ..... D23/238  
D419,218 S \* 1/2000 Mullenmeister ..... D23/238

**OTHER PUBLICATIONS**

1990 Jacob Delafon catalog ad showing various plumbing fittings.

Undated Hydr-O-Dynamic catalog ad showing various whirlpool fittings.

\* cited by examiner

*Primary Examiner*—Louis S. Zarfaz

*Assistant Examiner*—Gregory Andoll

(74) *Attorney, Agent, or Firm*—Quarles & Brady LLP

(57) **CLAIM**

The ornamental design for a handle, as shown and described.

**DESCRIPTION**

FIG. 1 is a left, top, front perspective view of a handle embodying my new design;

FIG. 2 is a top plan view thereof;

FIG. 3 is a front elevational view thereof;

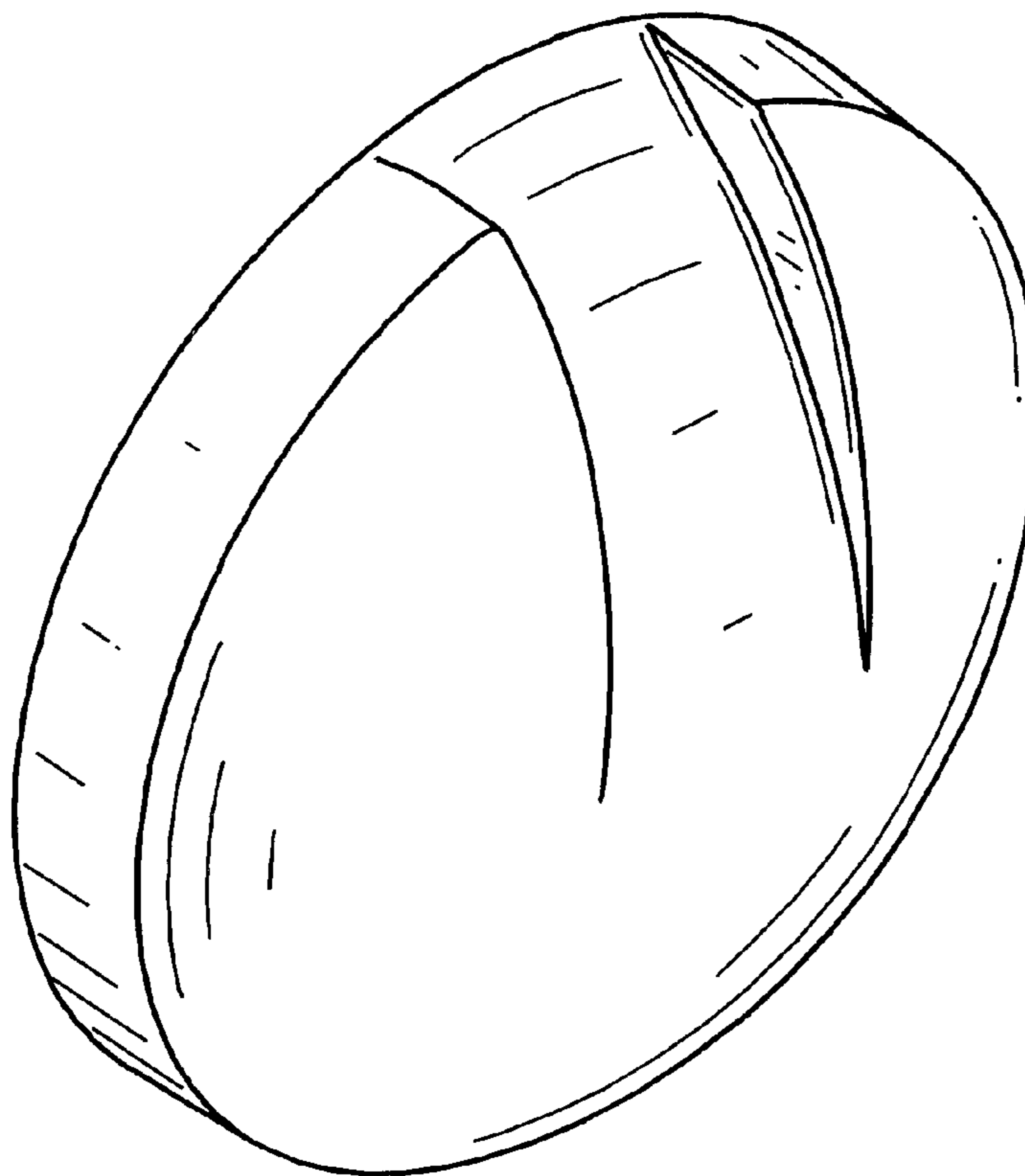
FIG. 4 is a rear elevational view thereof;

FIG. 5 is a right side elevational view thereof, the left side elevational view being a mirror image of the right side shown; and,

FIG. 6 is a bottom plan view thereof (which is shown for illustration only as this is normally not visible during use or marketing).

The broken line representations of holes in FIGS. 4 and 5, and of mounting structure in FIGS. 3-6, are for the purpose of illustration only, and form no part of the claimed design.

**1 Claim, 3 Drawing Sheets**



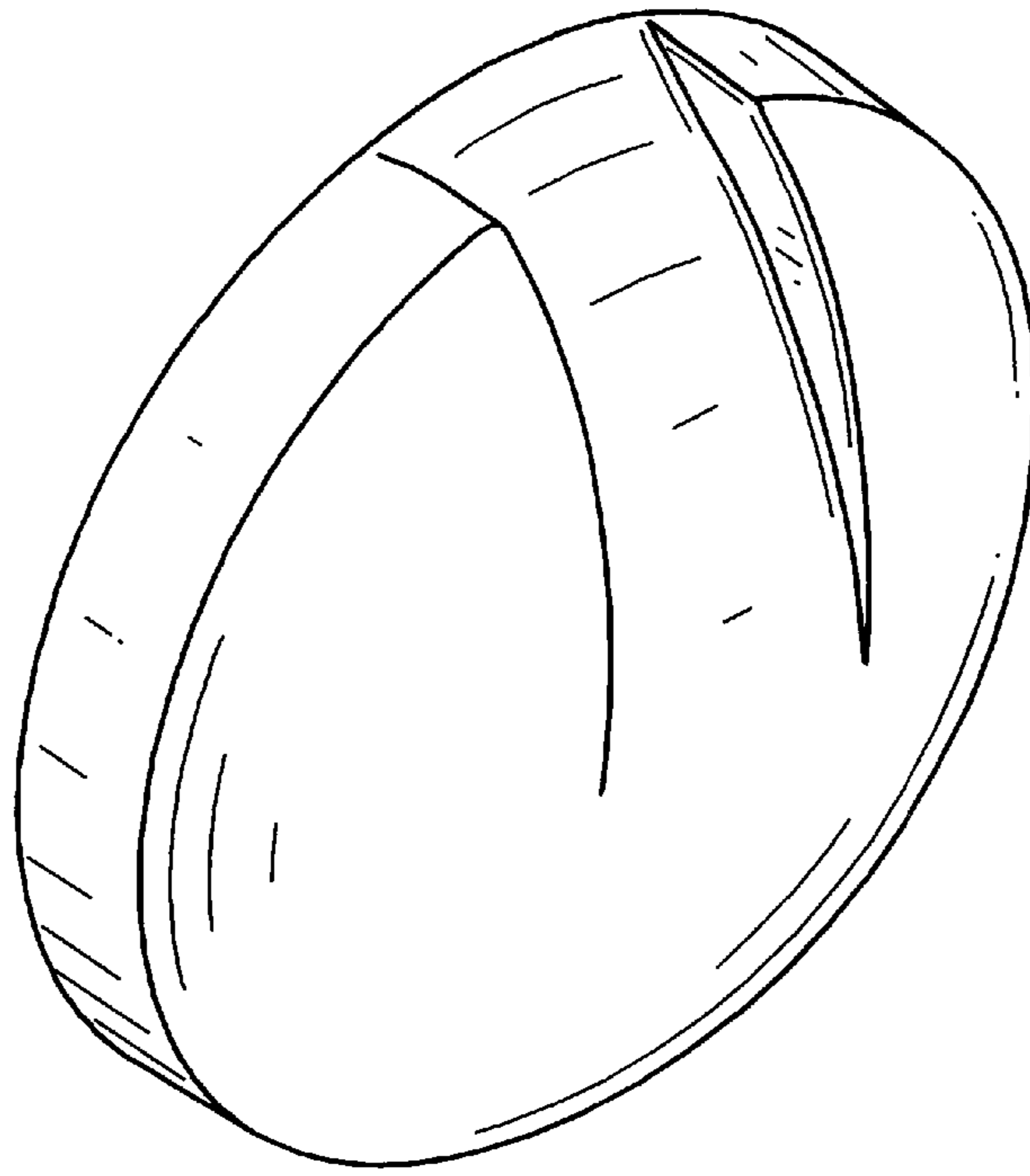


FIG. 1

FIG. 2

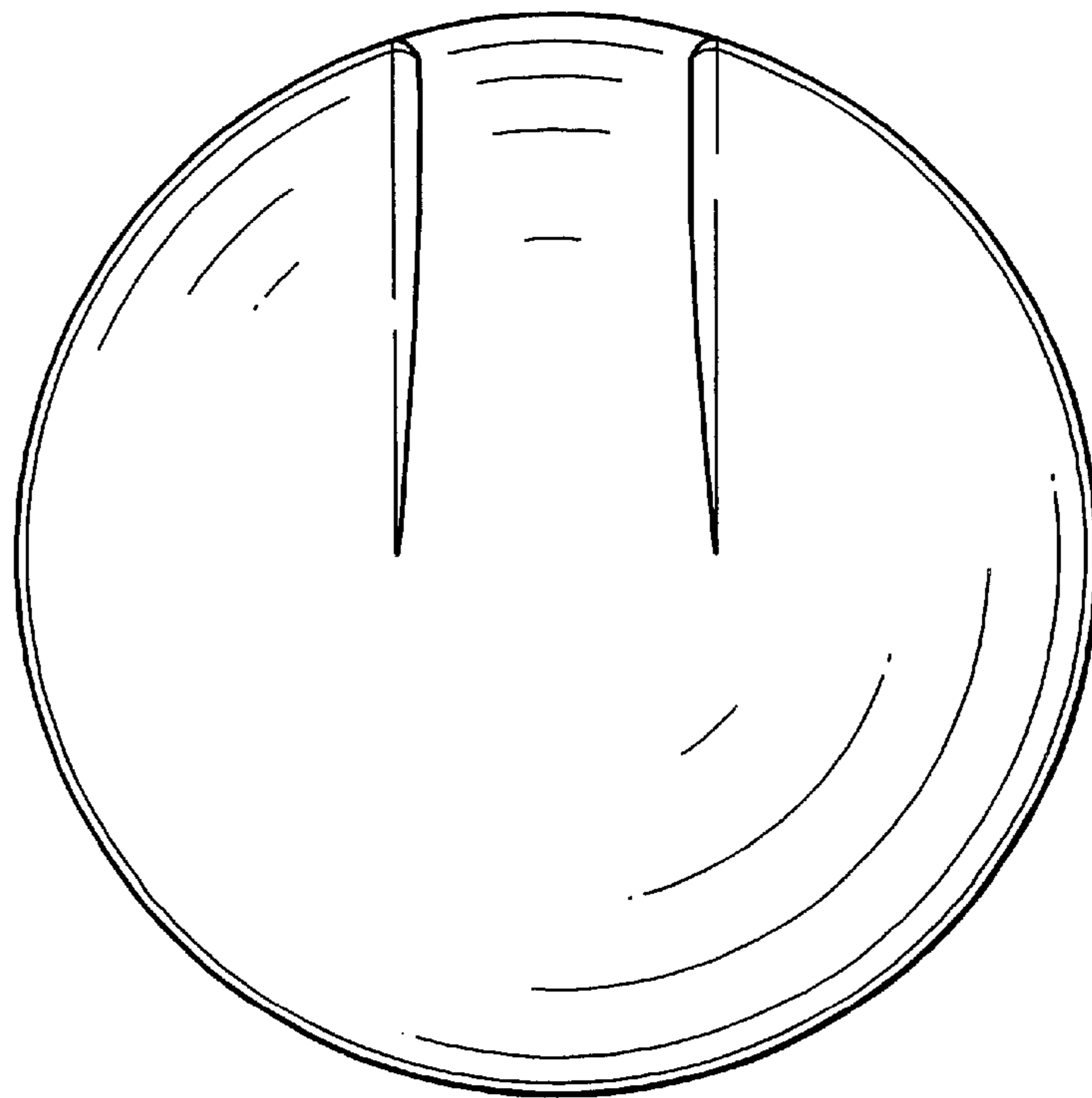


FIG. 3

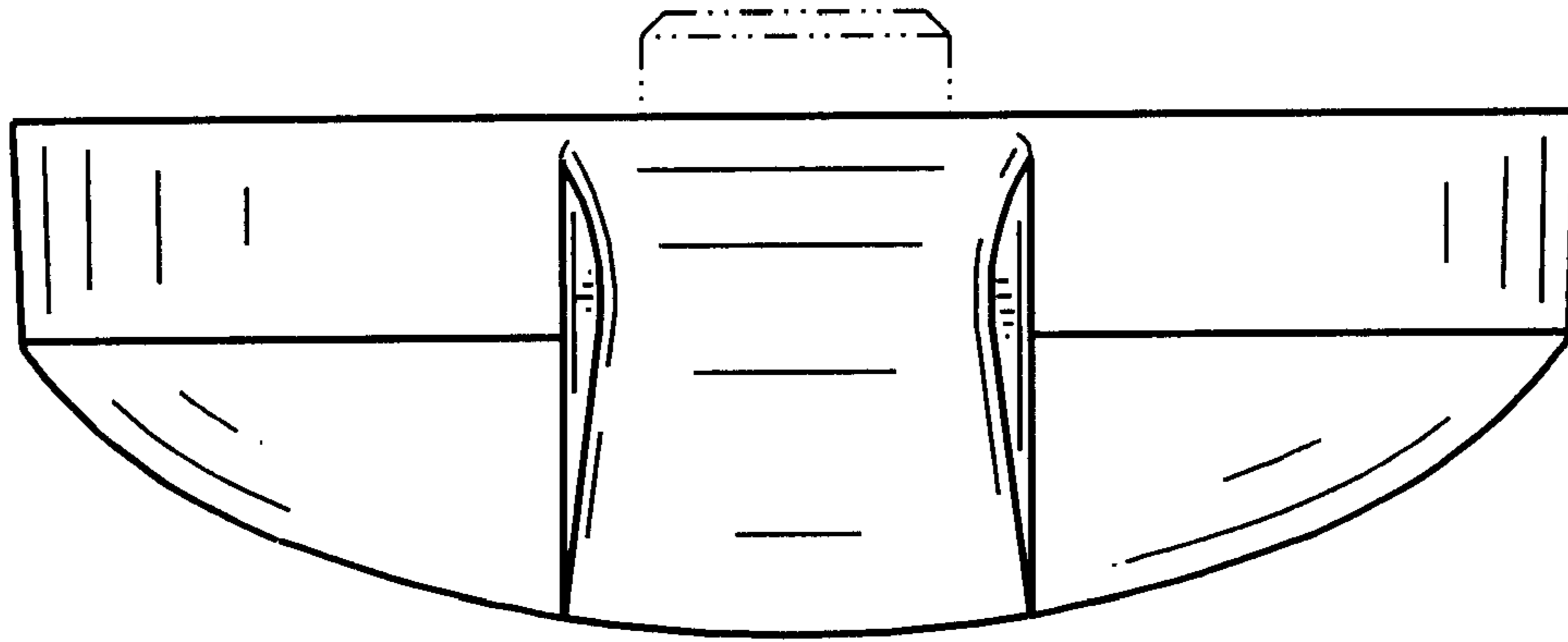
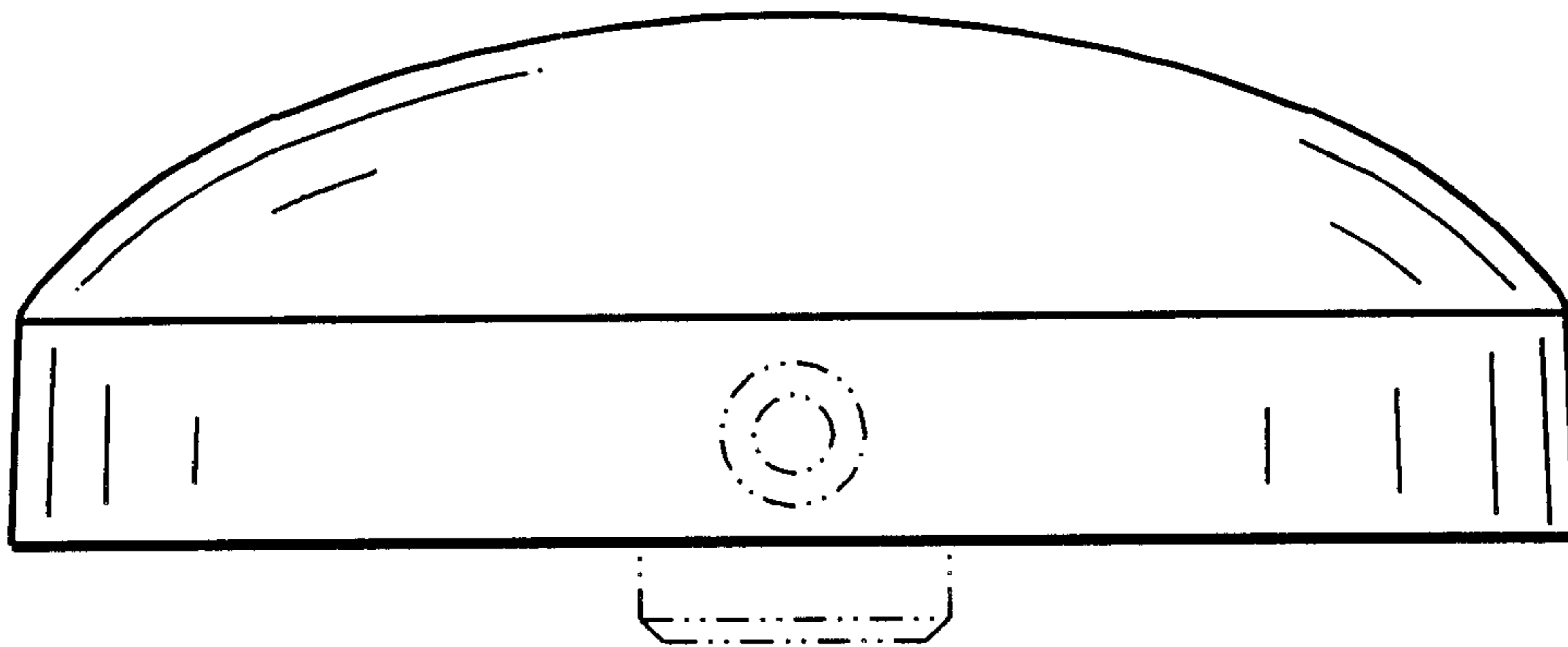


FIG. 4



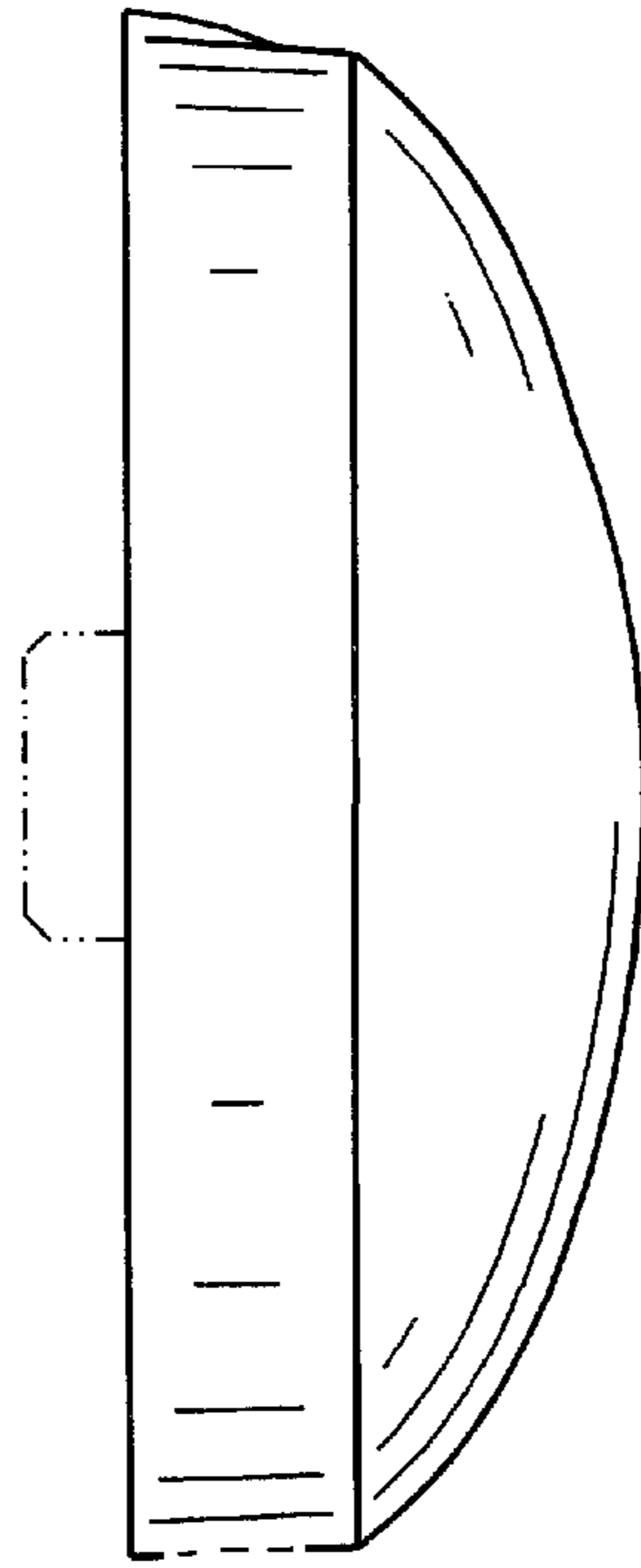


FIG. 5

FIG. 6

