



US00D483438S

(12) **United States Design Patent**
Farley

(10) **Patent No.:** **US D483,438 S**

(45) **Date of Patent:** **** Dec. 9, 2003**

(54) **SHOWERHEAD**

D451,172 S * 11/2001 Lindholm et al. D23/229

(76) Inventor: **David K. Farley**, 1827 Capital St.,
Corona, CA (US) 92880

* cited by examiner

(**) Term: **14 Years**

Primary Examiner—Robin V. Taylor
(74) *Attorney, Agent, or Firm*—James G O'Neill; Klein
O'Neill & Singh, LLP

(21) Appl. No.: **29/154,598**

(57) **CLAIM**

(22) Filed: **Jan. 24, 2002**

The ornamental design for a showerhead, as shown and
described.

(51) **LOC (7) Cl.** **23-01**

(52) **U.S. Cl.** **D23/229**

(58) **Field of Search** D23/213, 229,
D23/230; 239/548, 282, 283

DESCRIPTION

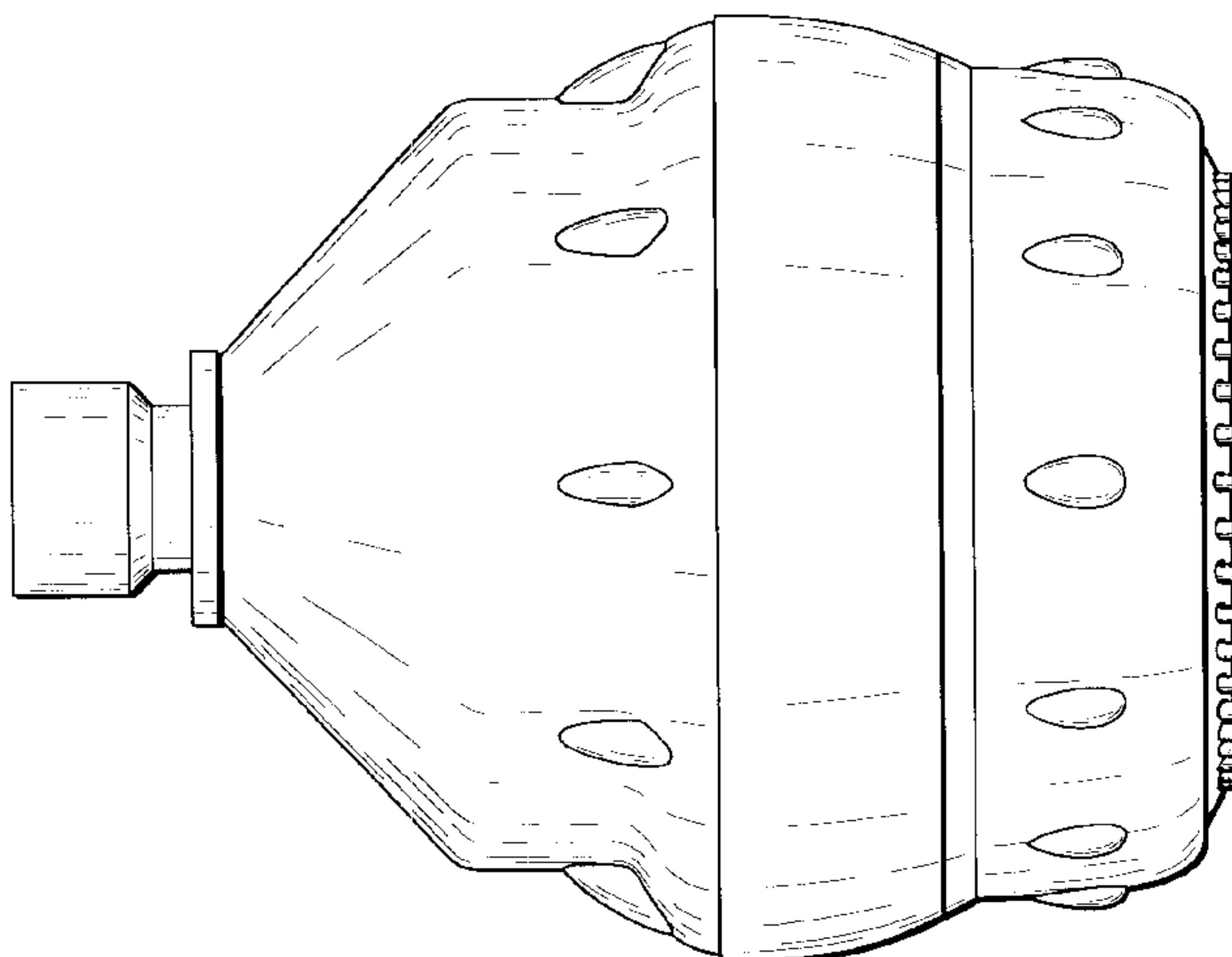
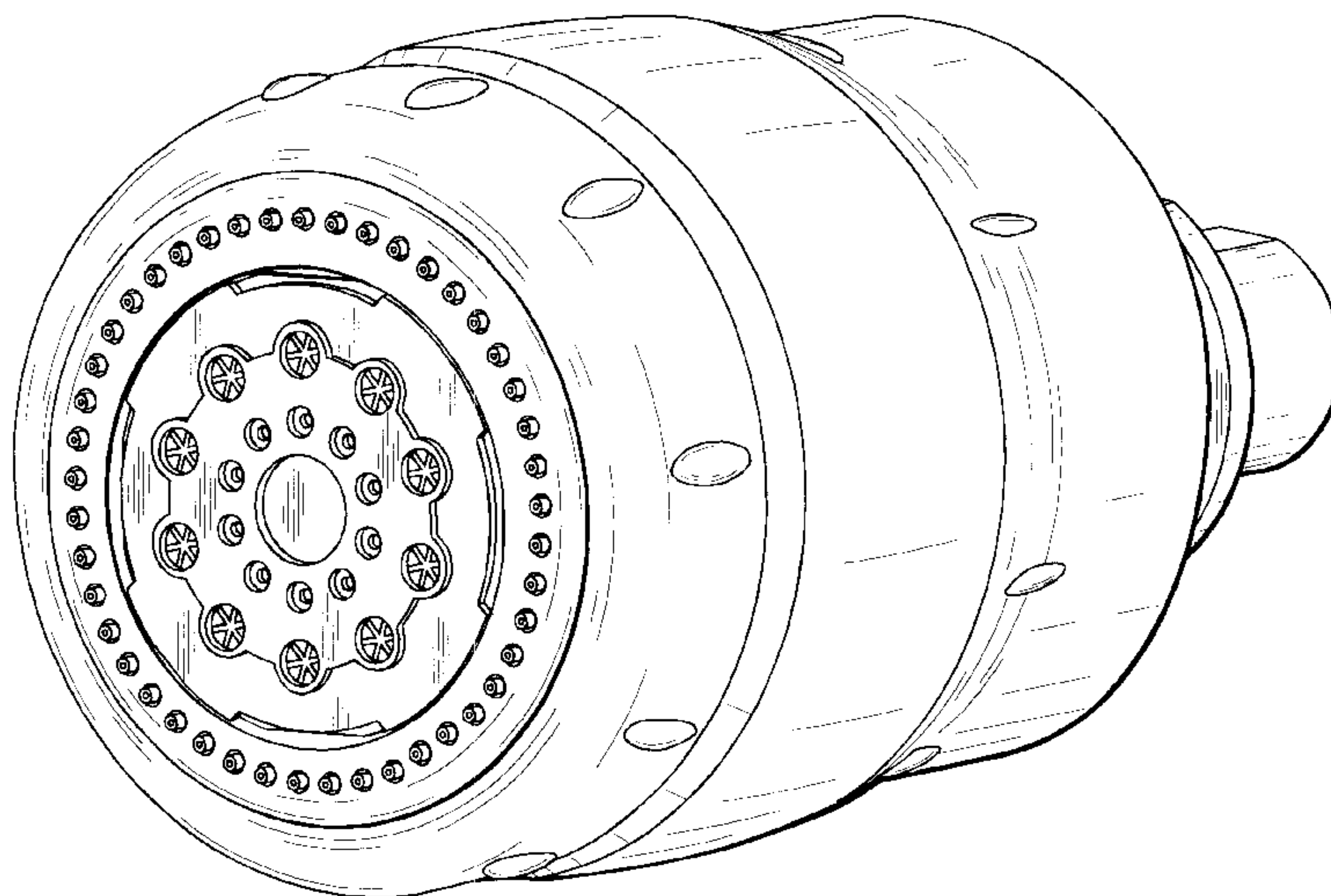
FIG. 1 is a perspective view of a showerhead showing my
new design, looking toward the bottom and side thereof;
FIG. 2 is a bottom plan view thereof;
FIG. 3 is a top plan view thereof; and,
FIG. 4 is a first side view thereof; the remaining side views
thereof being identical to that shown.

(56) **References Cited**

U.S. PATENT DOCUMENTS

D418,904 S * 1/2000 Milrud D23/229
D432,630 S * 10/2000 Tse D23/229
D450,372 S * 11/2001 Christianson D23/229

1 Claim, 3 Drawing Sheets



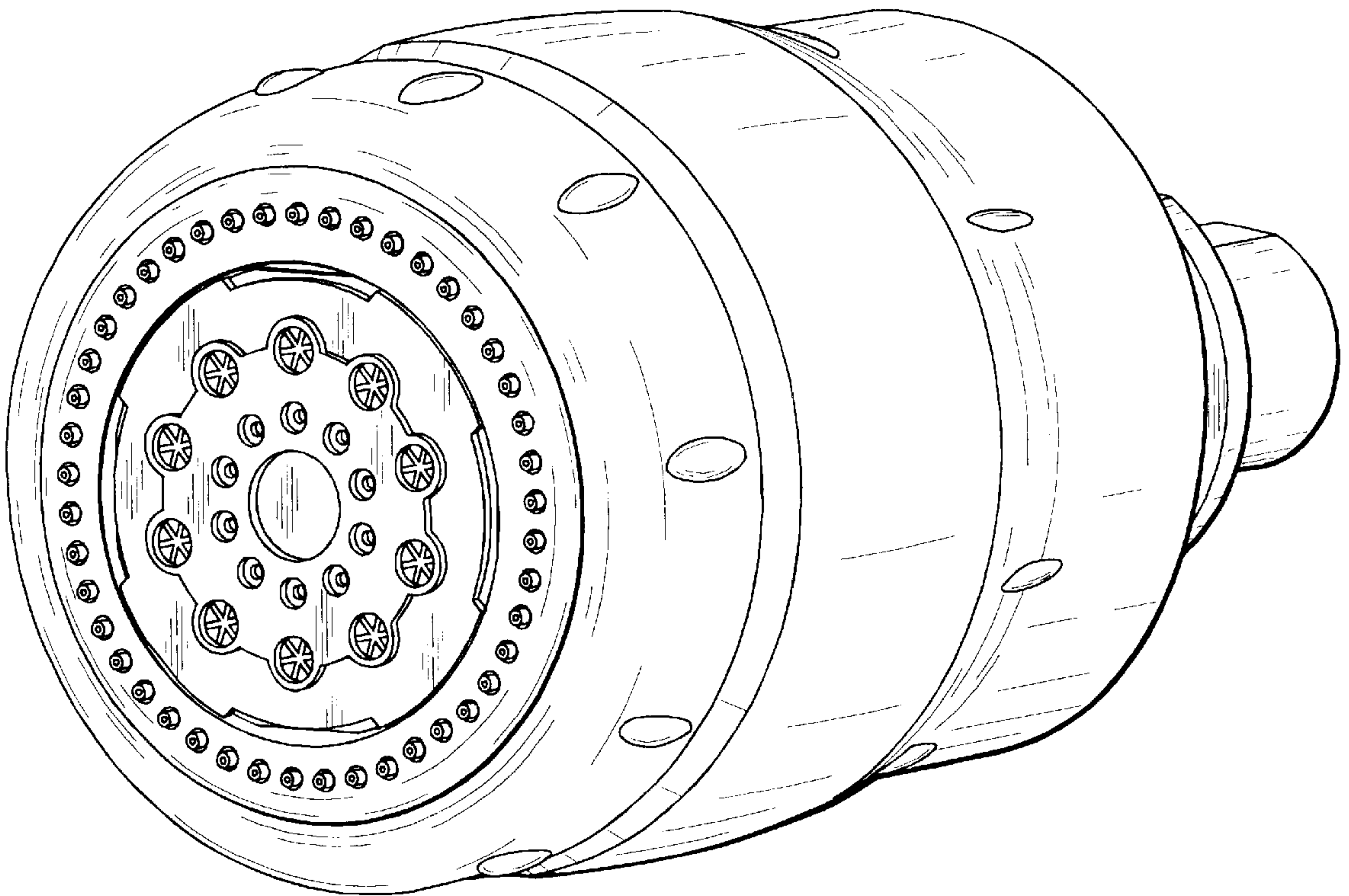


Fig. 1

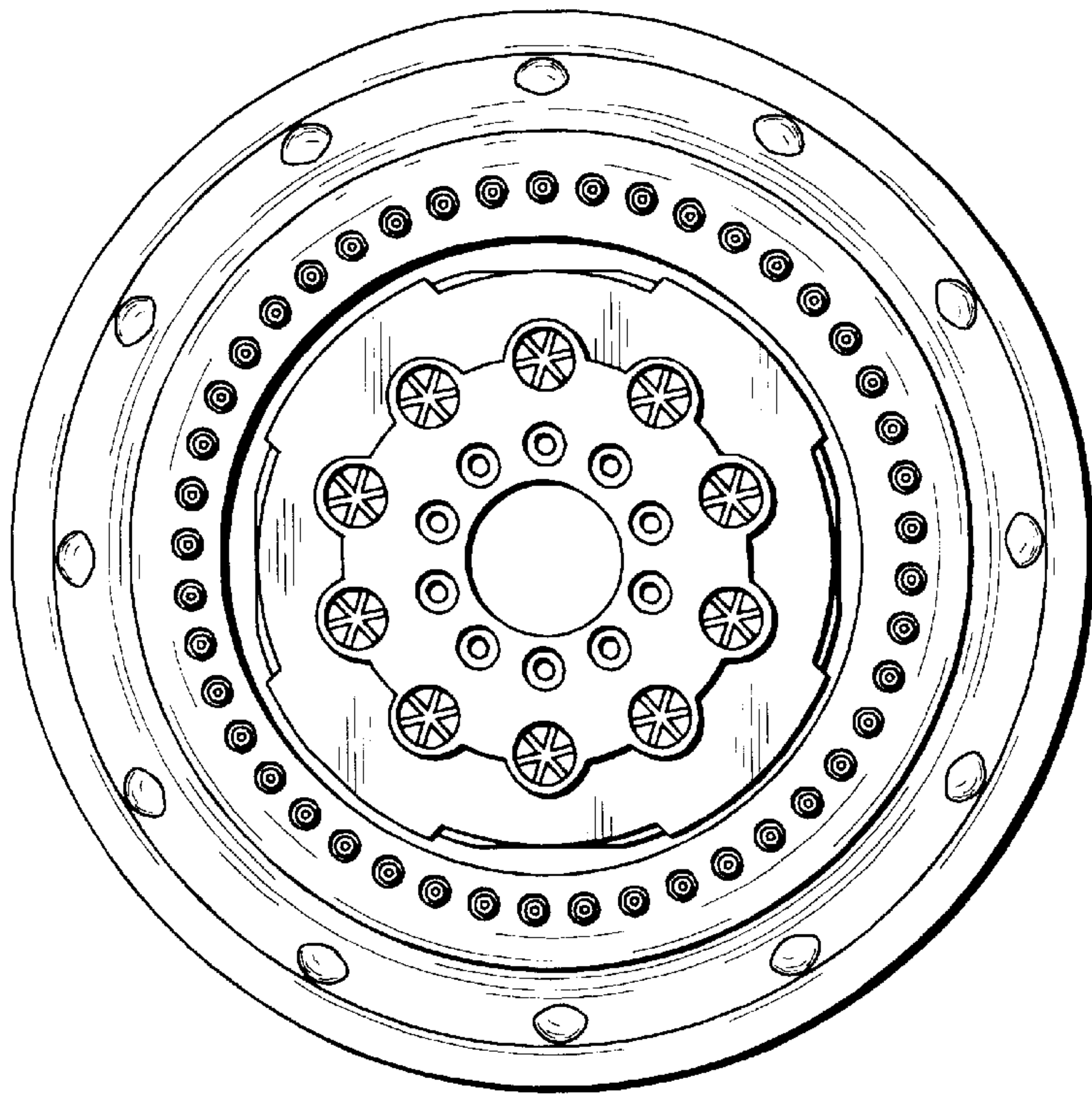


Fig. 2

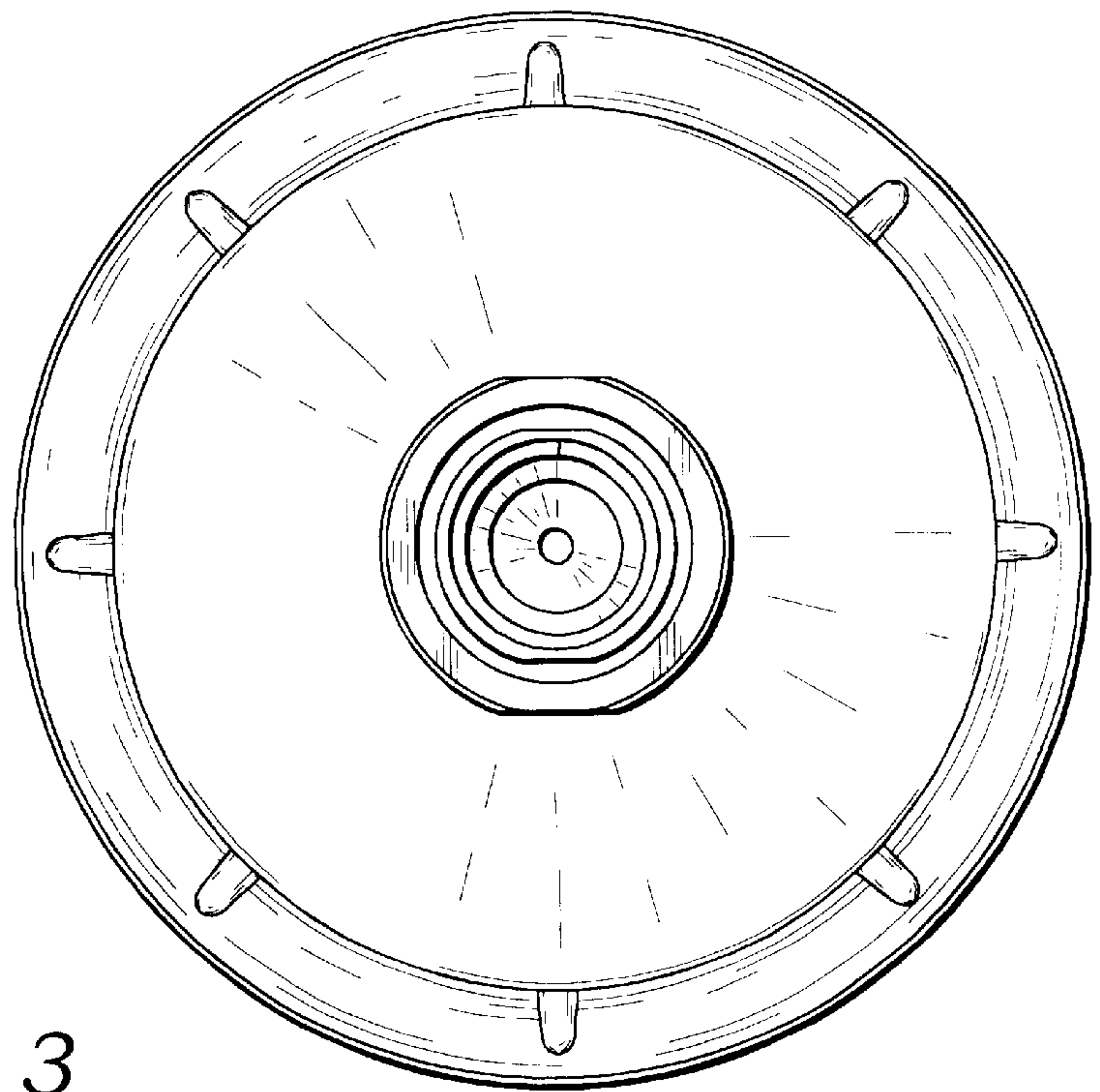


Fig. 3

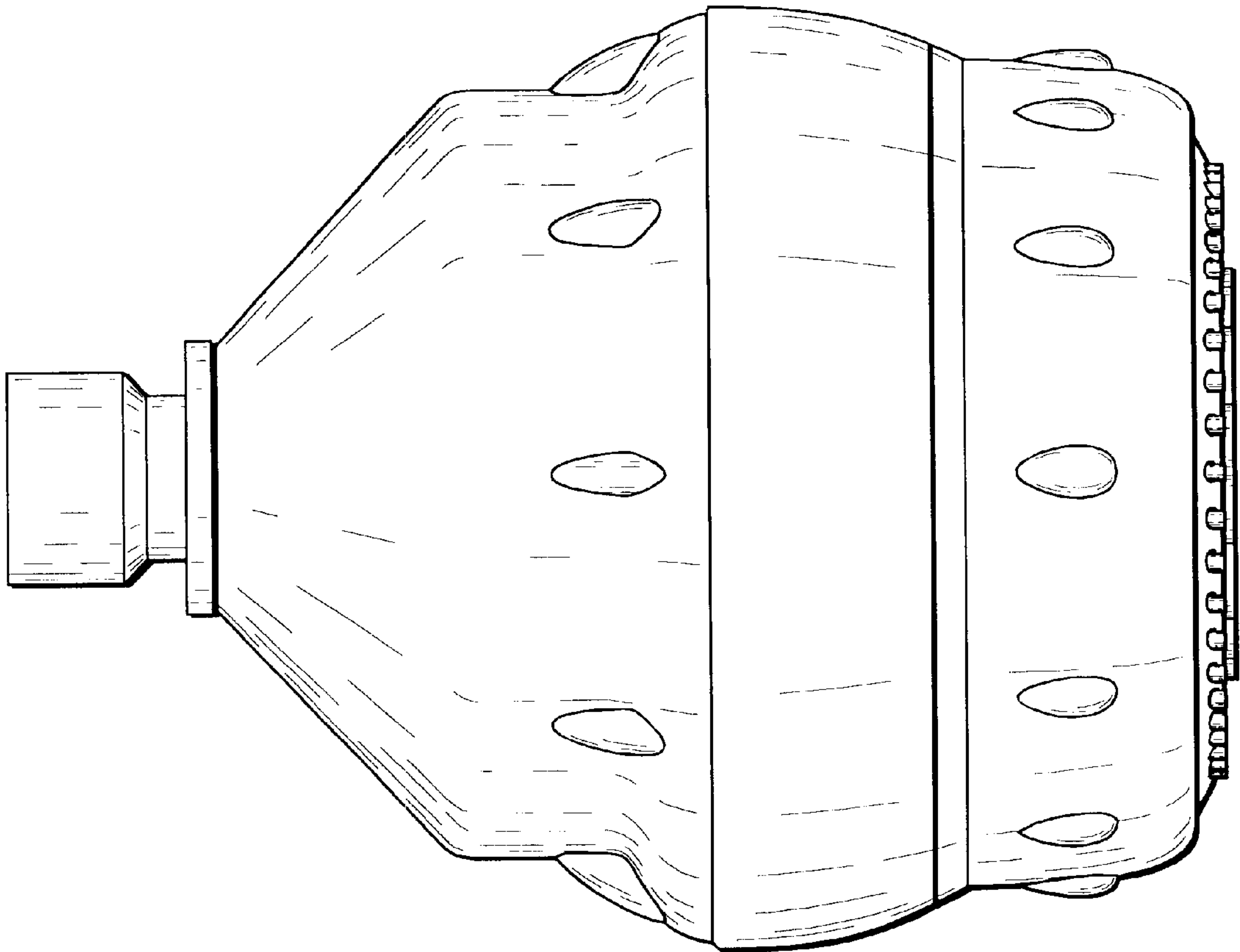


Fig. 4