



US00D483436S

(12) **United States Design Patent**
Tull

(10) **Patent No.:** **US D483,436 S**

(45) **Date of Patent:** **** Dec. 9, 2003**

(54) **FISHING ROD HOLDER**

D390,308 S * 2/1998 Sieland et al. D22/147

(76) Inventor: **R. Stevens Tull**, P.O. Box 829,
Barnegat, NJ (US) 08005

* cited by examiner

(**) Term: **14 Years**

Primary Examiner—Catherine R. Oliver
(74) *Attorney, Agent, or Firm*—Arthur M. Peslak

(21) Appl. No.: **29/172,056**

(57) **CLAIM**

(22) Filed: **Dec. 4, 2002**

The ornamental design for a fishing rod holder, as shown and described.

(51) **LOC (7) Cl.** **22-05**

DESCRIPTION

(52) **U.S. Cl.** **D22/147**

(58) **Field of Search** D22/147, 148;
D3/221; 224/922, 267; 43/21.2; 248/515,
520, 521, 538

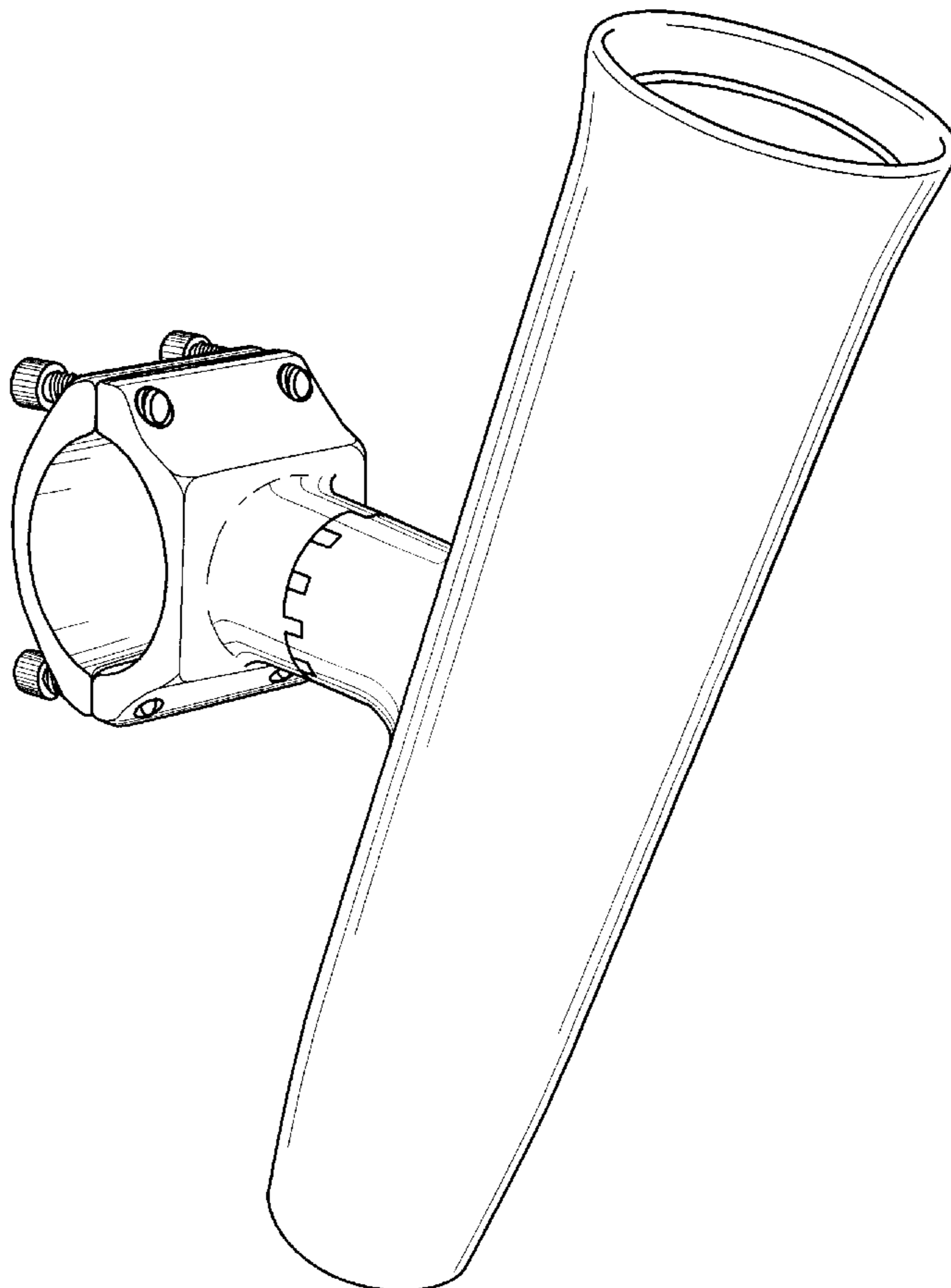
FIG. 1 is a side perspective view of the present invention.
FIG. 2 is a front perspective view of the present invention.
FIG. 3 is a rear perspective view of the present invention.
FIG. 4 is a side perspective view of the present invention.
FIG. 5 is a side perspective view of the present invention.
FIG. 6 is a top perspective view of the present invention;
and,
FIG. 7 is a bottom perspective view of the present invention.

(56) **References Cited**

U.S. PATENT DOCUMENTS

D334,226 S * 3/1993 Engle D22/147
D337,807 S * 7/1993 Hoover D22/147
D377,387 S * 1/1997 Mathewson D22/147

1 Claim, 4 Drawing Sheets



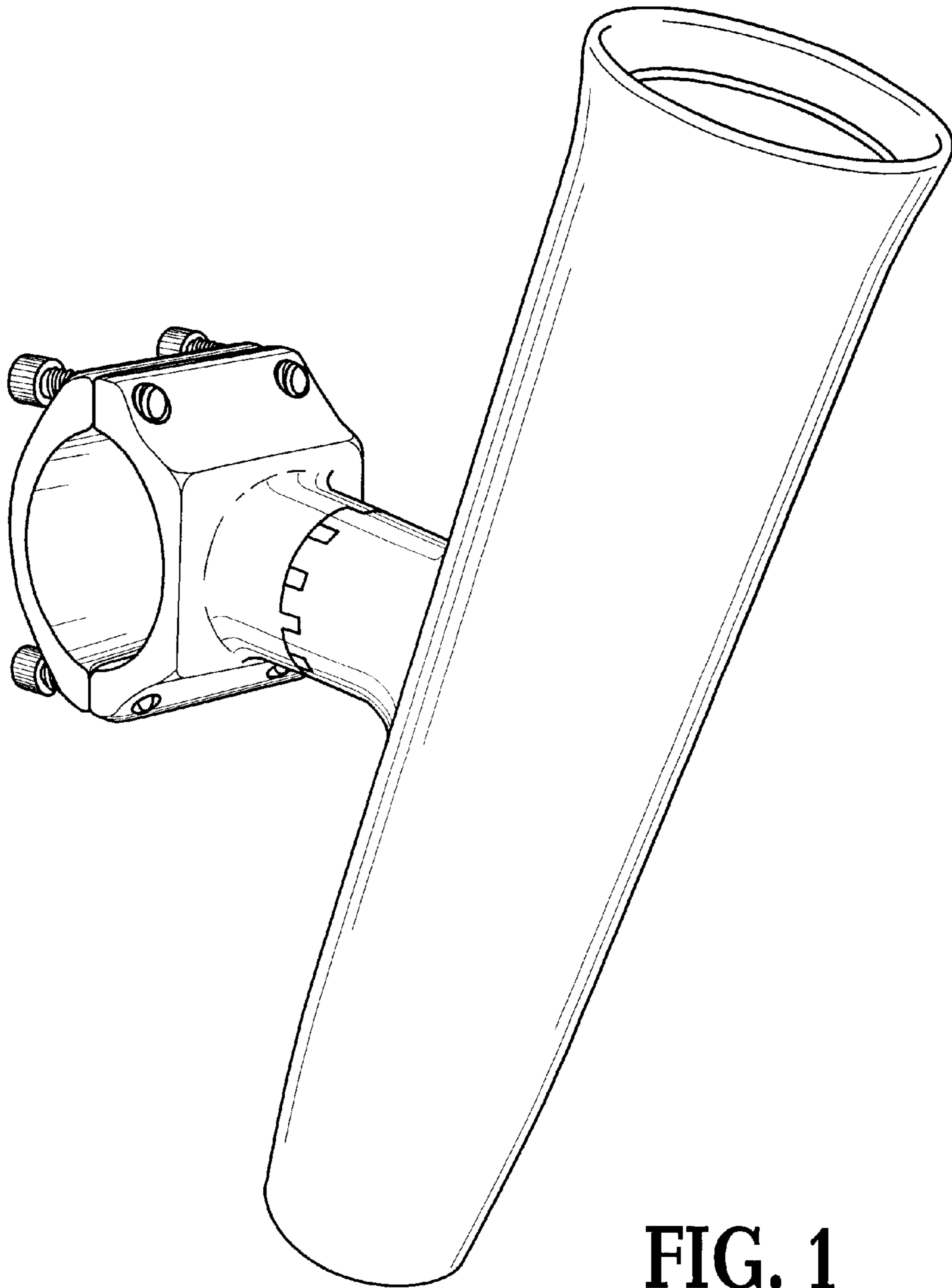


FIG. 1

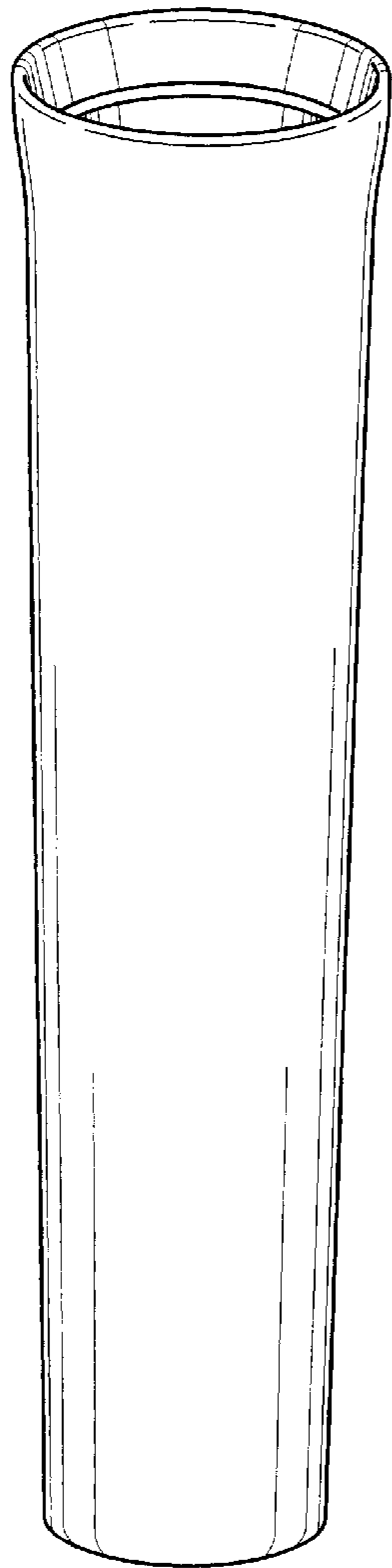


FIG. 2

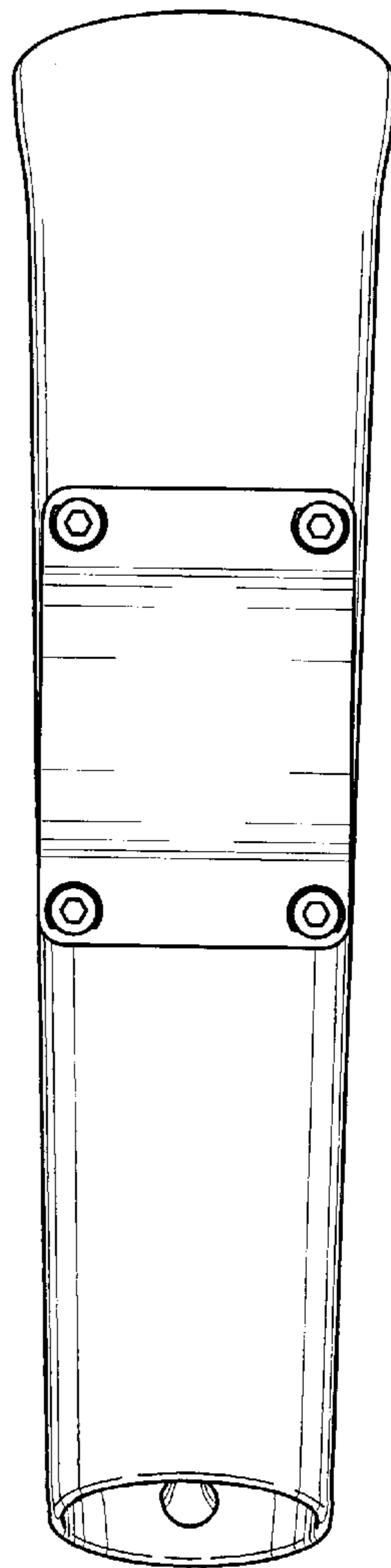


FIG. 3

FIG. 4

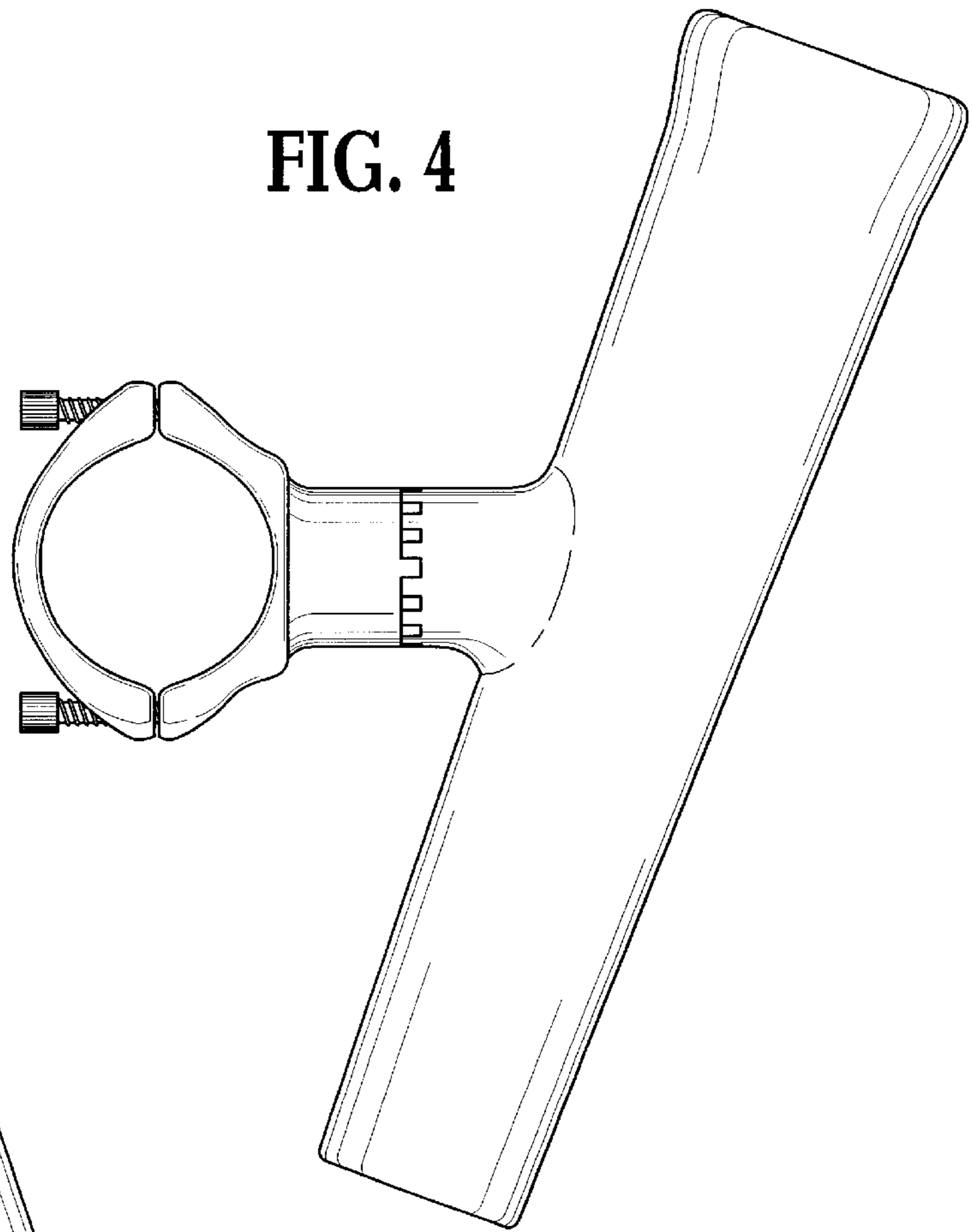
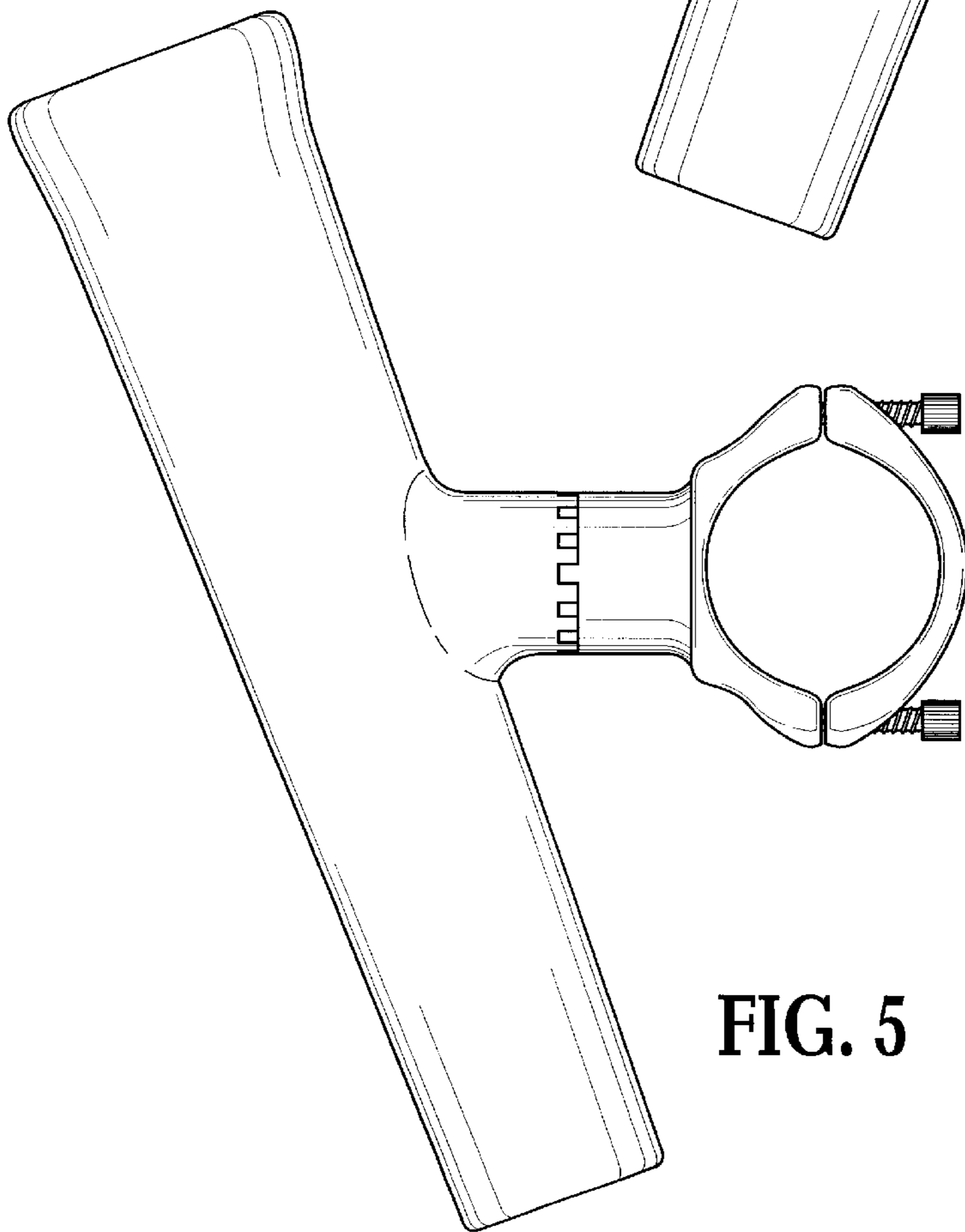


FIG. 5



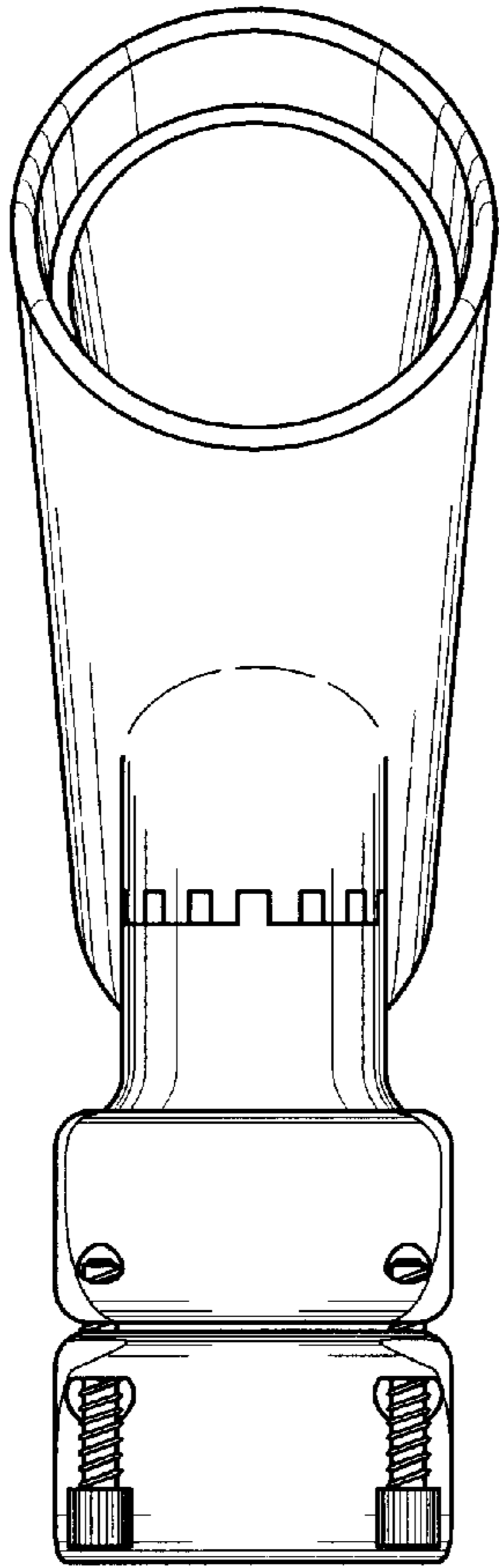


FIG. 6

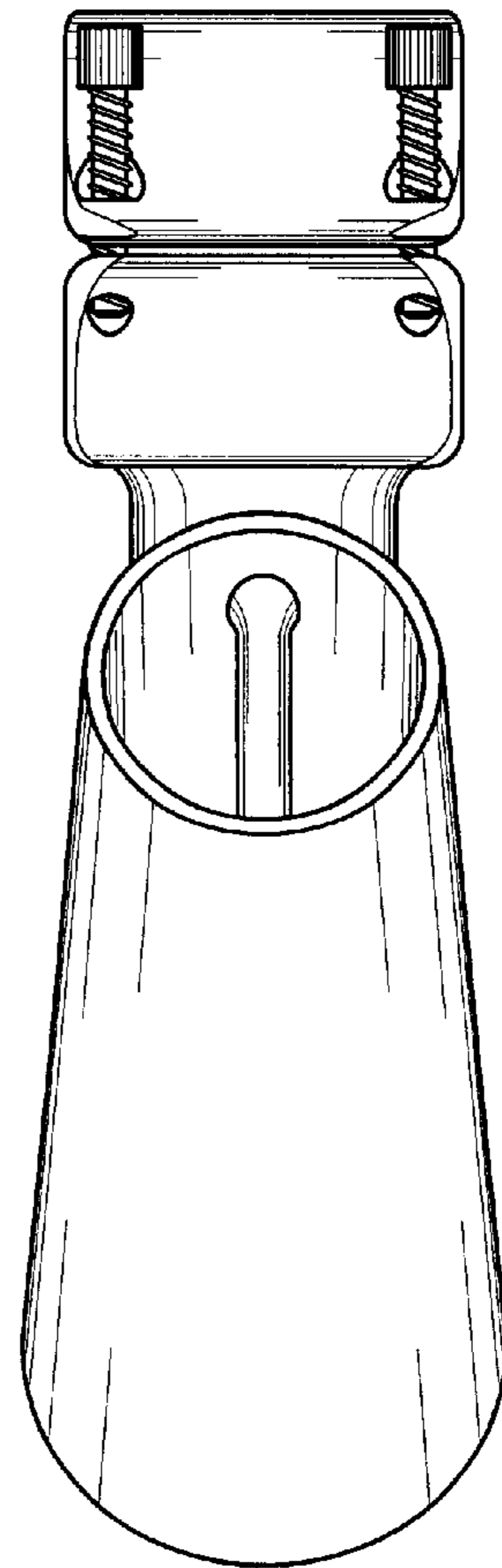


FIG. 7