



US00D483431S

(12) **United States Design Patent**
Squillante et al.

(10) **Patent No.:** **US D483,431 S**

(45) **Date of Patent:** **** Dec. 9, 2003**

(54) **QUICK RELEASE SINGLE FLASHLIGHT
RAIL MOUNTING SYSTEM**

(76) Inventors: **Michael Jon Squillante**, 1353 Unter
Ave. NW., Palm Bay, FL (US) 32907;
Oscar Michener Fell, 64 Yacht Haven
Dr., Cocoa Beach, FL (US) 32931

(**) Term: **14 Years**

(21) Appl. No.: **29/162,074**

(22) Filed: **Jun. 10, 2002**

(51) **LOC (7) Cl.** **22-01**

(52) **U.S. Cl.** **D22/109**

(58) **Field of Search** D22/100, 108,
D22/109, 110, 199; D16/132; 42/124, 125,
126, 127, 111, 112, 119; 248/229.1, 298.1;
362/100, 113, 114; D26/38

(56) **References Cited**

U.S. PATENT DOCUMENTS

958,980 A	5/1910	Bennett	
2,151,768 A	3/1939	Humeston	33/50
2,234,518 A	* 3/1941	Cuzdey	42/125
2,449,551 A	9/1948	Garand	33/50
3,986,285 A	10/1976	Krisay	42/1 ST
4,216,600 A	8/1980	Brueckner	42/1 ST
4,571,870 A	2/1986	Heideman	42/1 A
4,580,362 A	4/1986	Stevens	42/1 A
D286,424 S	* 10/1986	Ekstrand	D22/110
D365,621 S	12/1995	Coste	D22/109
5,515,246 A	5/1996	Maglica	362/72
D383,826 S	9/1997	Weigand	D22/110
D391,335 S	2/1998	Bechtel	D22/110
D394,096 S	5/1998	Edgar	D22/110

5,787,630 A	8/1998	Martel	42/101
D403,393 S	12/1998	Weast	D22/110
5,860,728 A	1/1999	Maglica	362/191
5,941,489 A	8/1999	Fanelli	248/298.1
D420,718 S	2/2000	Ottoman	D22/109
D422,045 S	* 3/2000	Fell et al.	D22/109 X
6,115,952 A	9/2000	Rigler	42/103
D433,478 S	11/2000	Edgar	D22/110
D435,885 S	1/2001	Wallace	D22/110
D444,531 S	* 7/2001	Squillante et al.	D22/110
D453,545 S	2/2002	Plonke	D22/110
6,425,561 B2	* 7/2002	Wooten et al.	362/113 X

* cited by examiner

Primary Examiner—Louis S. Zarfaz

Assistant Examiner—Monica A. Weingart

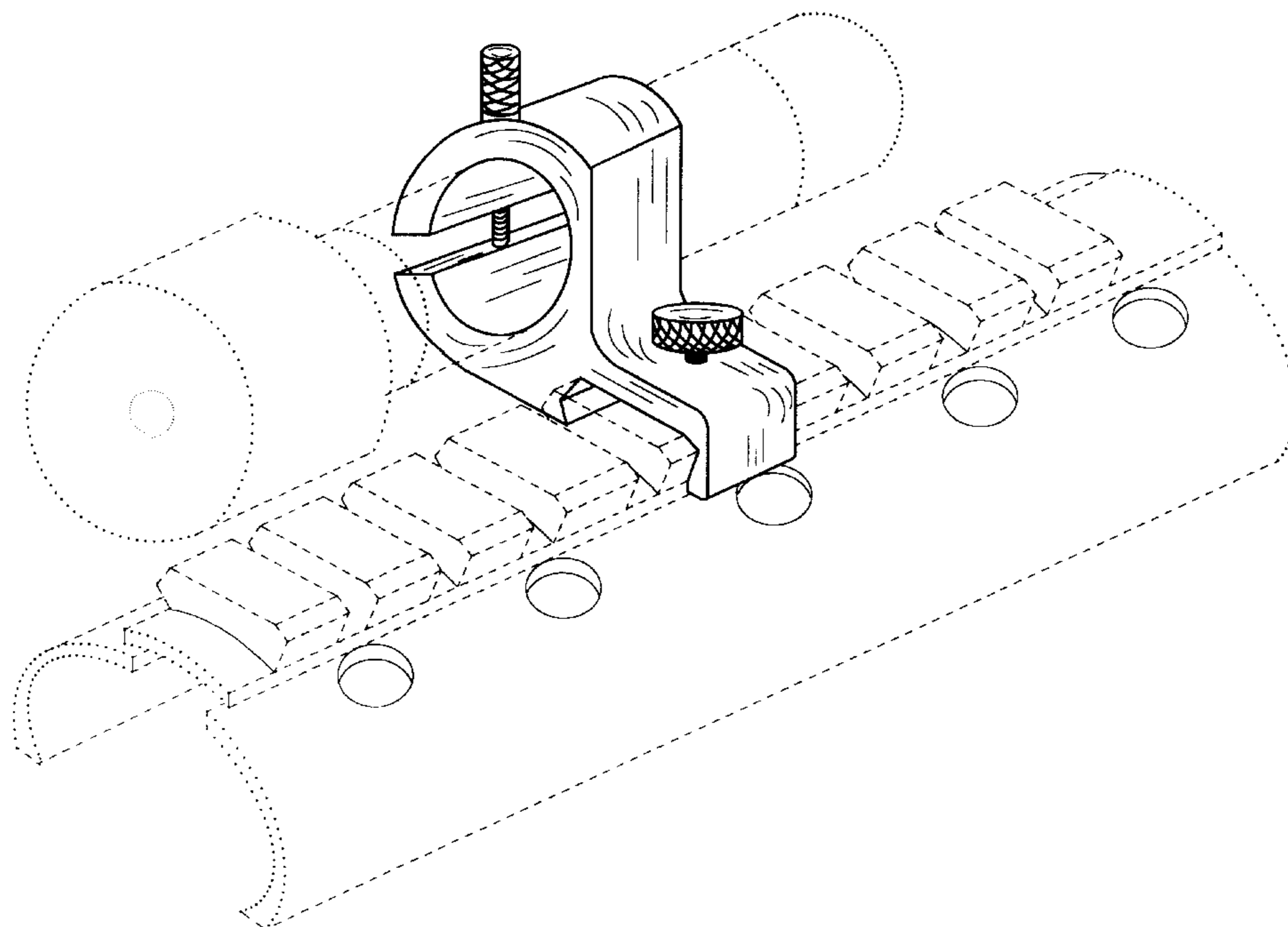
(57) **CLAIM**

The ornamental design for a quick release single flashlight rail mounting system, as shown and described.

DESCRIPTION

FIG. 1 is a right elevational view of the quick release single flashlight rail mounting system, the left side elevational view being a mirror image thereof, showing our new design; FIG. 2 is a top elevation view thereof; FIG. 3 is a bottom elevation view thereof; FIG. 4 is a rear elevation view thereof; FIG. 5 is a front elevation view thereof; FIG. 6 is a top, front, left side perspective view thereof; and, FIG. 7 is a top, front, left, elevational view of FIG. 6 shown attached to a rail and flashlight thereof. The broken line showing of a rail and flashlight, in FIG. 7, is for illustrative purposes only and forms no part of the claimed design.

1 Claim, 2 Drawing Sheets



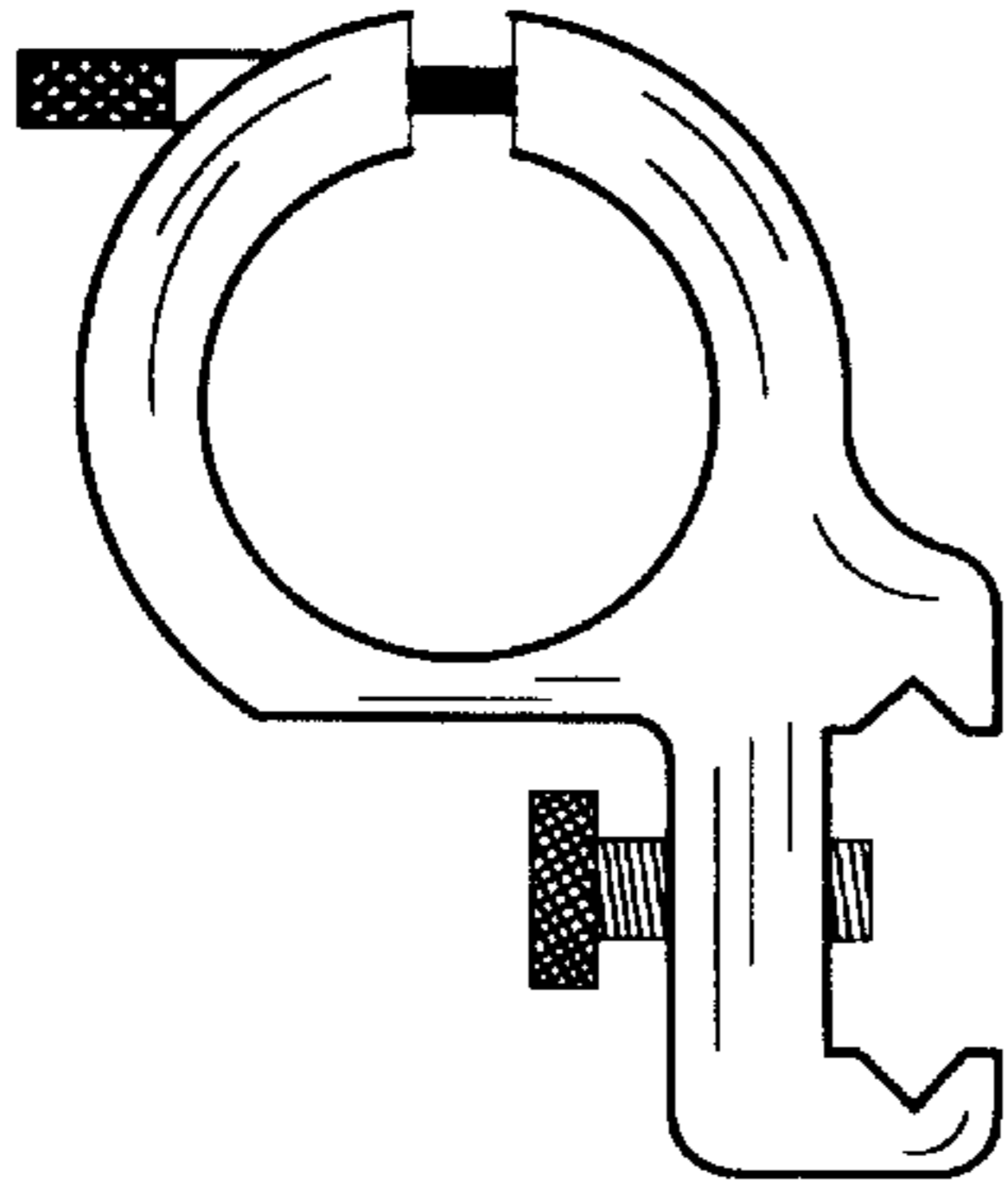


Fig. 1

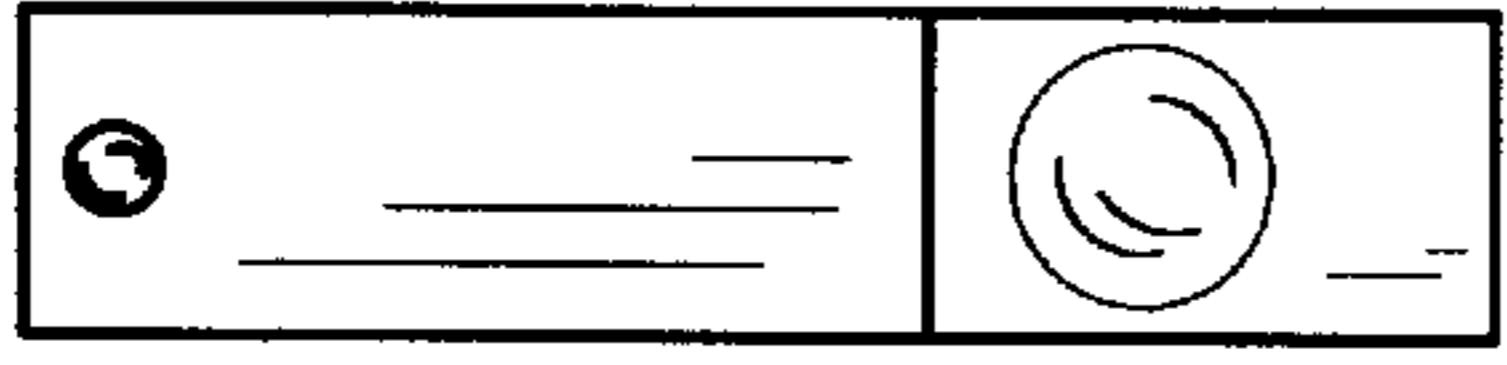


Fig. 2



Fig. 3



Fig. 4



Fig. 5

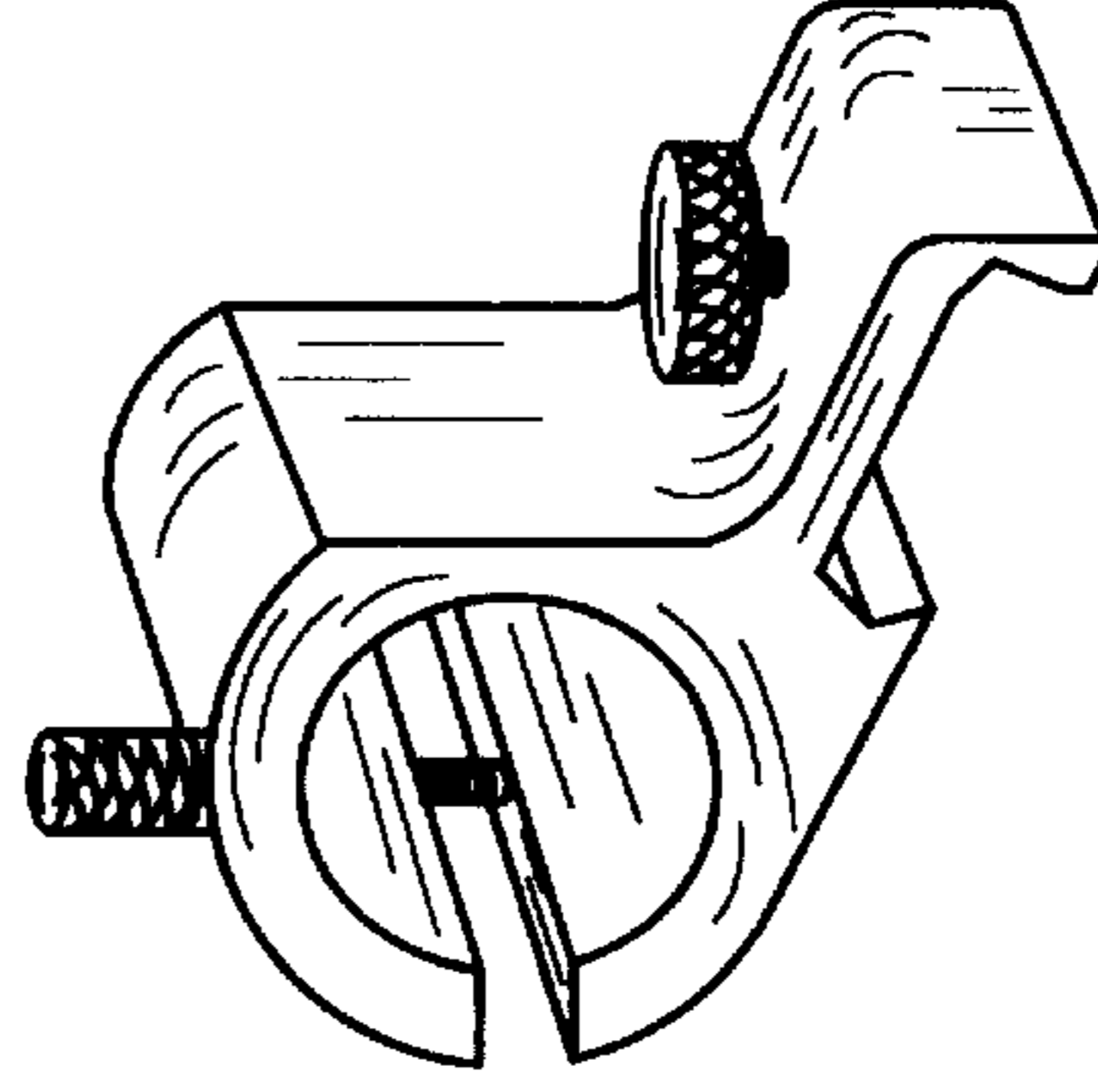


Fig. 6

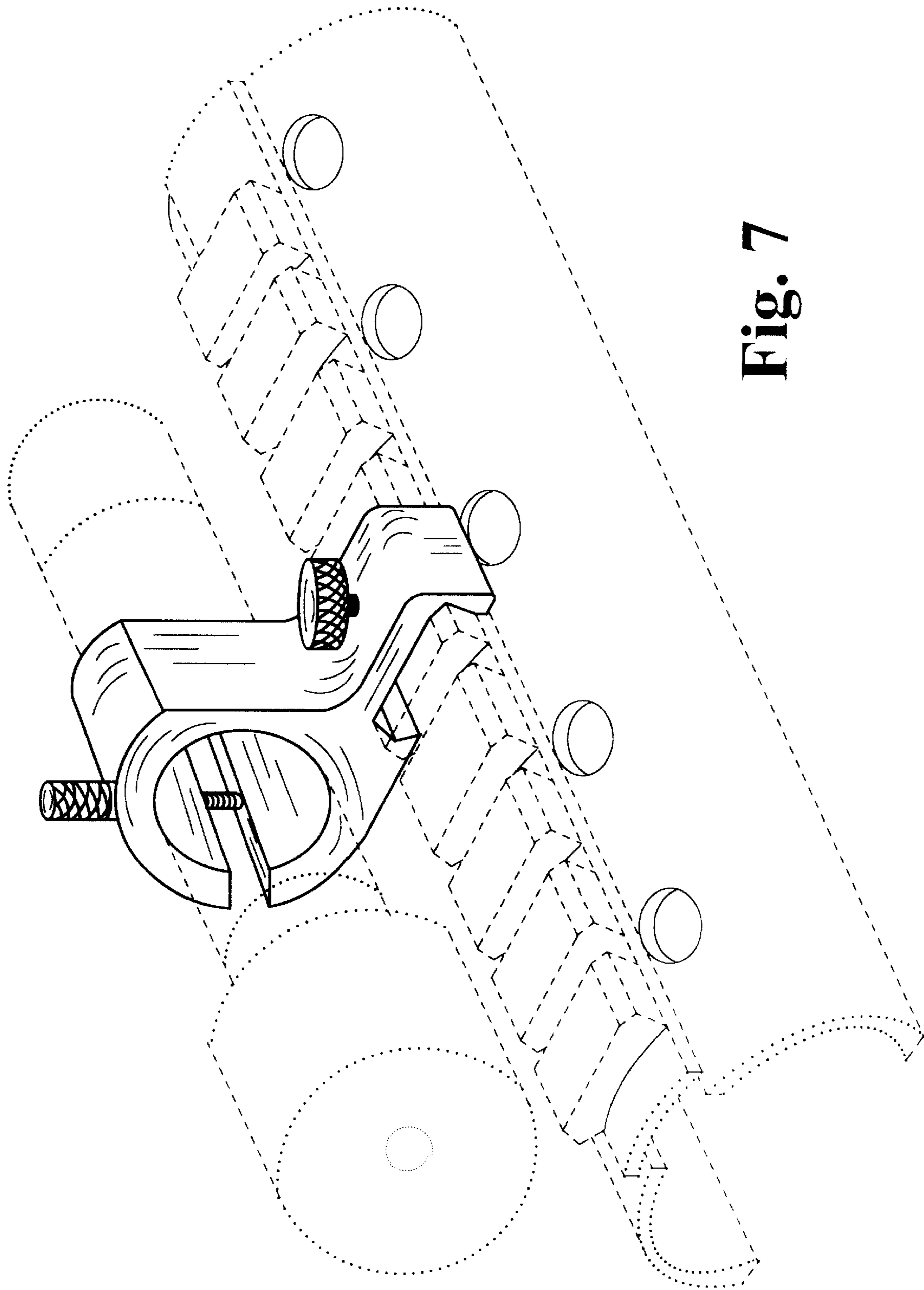


Fig. 7