



US00D483430S

(12) **United States Design Patent**
Teskey

(10) **Patent No.:** **US D483,430 S**

(45) **Date of Patent:** **** Dec. 9, 2003**

(54) **TRIGGER LATCH**

(75) **Inventor:** **Gregg A. Teskey**, Trabuco Canyon, CA (US)

(73) **Assignee:** **Ryadon, Inc.**, Foothill Ranch, CA (US)

(**) **Term:** **14 Years**

(21) **Appl. No.:** **29/180,709**

(22) **Filed:** **Apr. 29, 2003**

(51) **LOC (7) Cl.** **22-01**

(52) **U.S. Cl.** **D22/108**

(58) **Field of Search** D22/100, 108,
D22/199; 42/44, 66, 70.02, 70.06, 70.07,
70.11, 150; 70/58, 63, 202, 211, 312

(56) **References Cited**

U.S. PATENT DOCUMENTS

2,594,940 A	4/1952	Levine	
2,599,132 A *	6/1952	Sass	42/70.06
2,815,833 A *	12/1957	Cline	70/150
2,893,152 A *	7/1959	Peluso	42/70.06

4,196,602 A *	4/1980	Akselsen	70/202 X
4,723,370 A *	2/1988	Sheehan	42/70.07
4,995,180 A *	2/1991	Tucker et al.	42/70.11 X

* cited by examiner

Primary Examiner—Louis S. Zarfes

Assistant Examiner—Monica A. Weingart

(74) *Attorney, Agent, or Firm*—Fulwider Patton Lee & Utecht, LLP

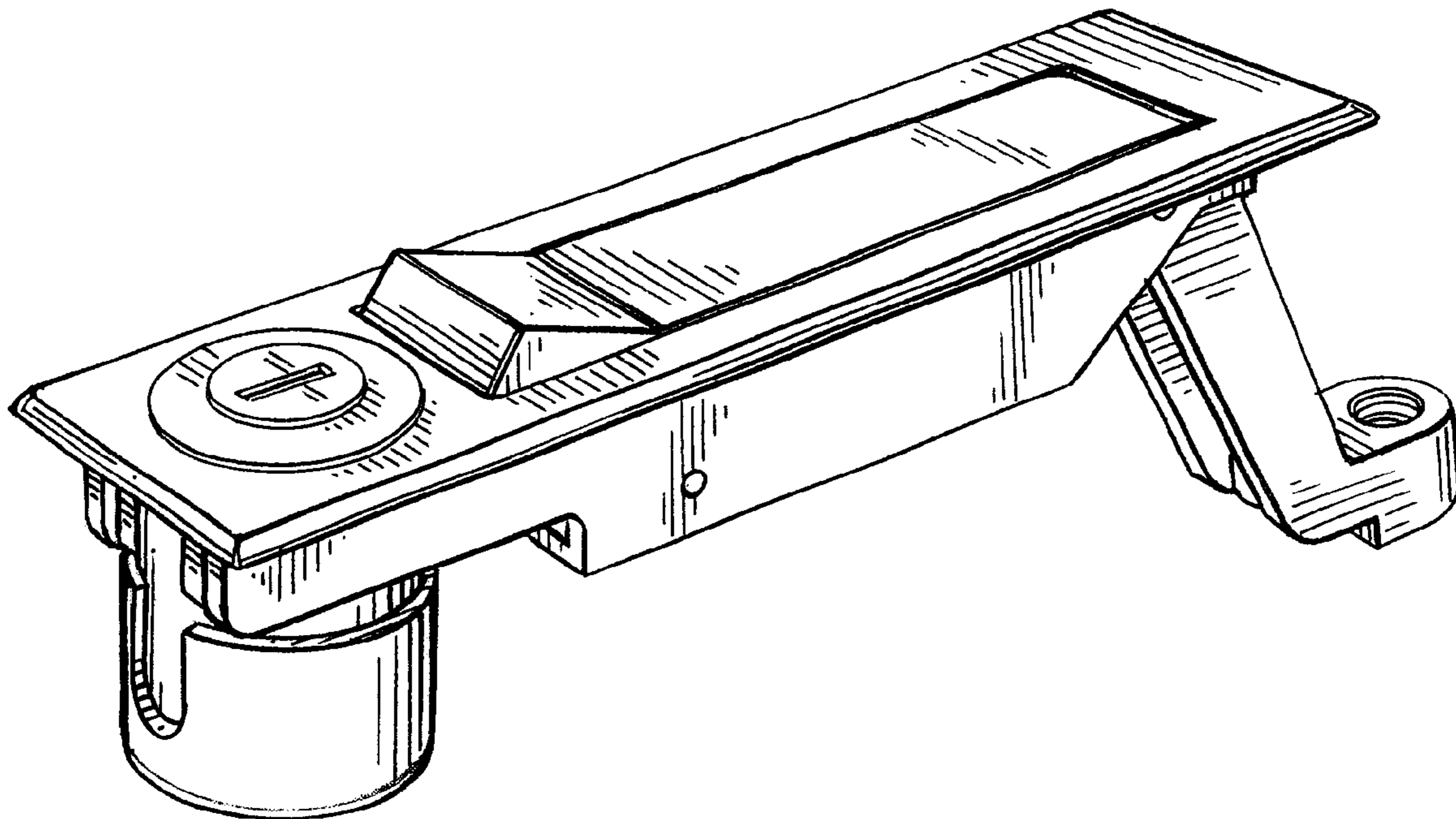
(57) **CLAIM**

The ornamental design for a trigger latch, as shown and described.

DESCRIPTION

FIG. 1 is a top plan view of a trigger latch showing my new design;
FIG. 2 is a right side elevational view thereof;
FIG. 3 is a bottom plan view thereof;
FIG. 4 is a left side elevational view thereof;
FIG. 5 is front elevational view thereof;
FIG. 6 is a rear elevational view thereof; and,
FIG. 7 is a top perspective view thereof.

1 Claim, 2 Drawing Sheets



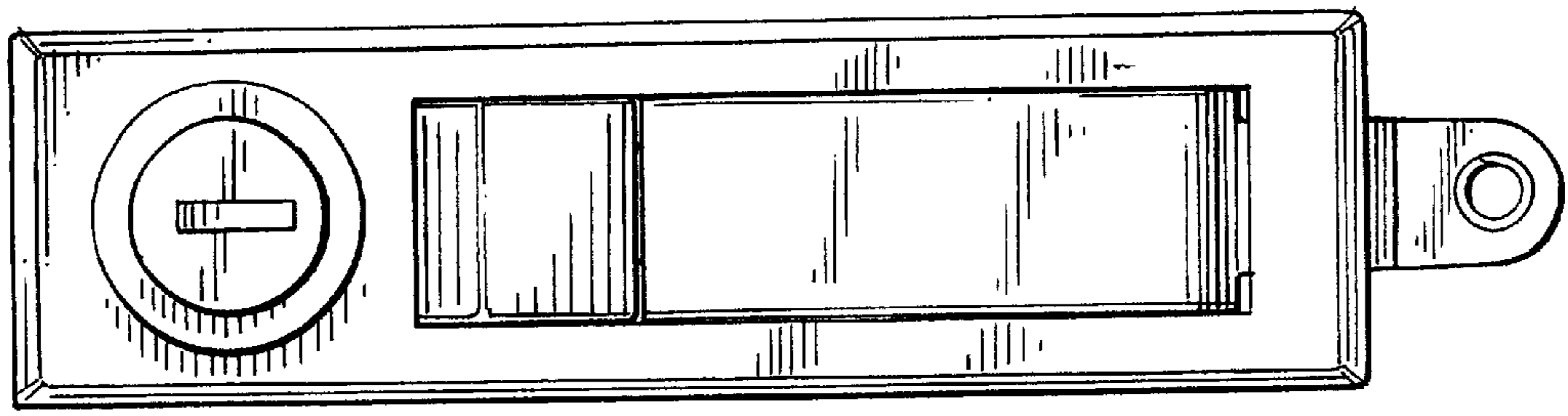


FIG. 1

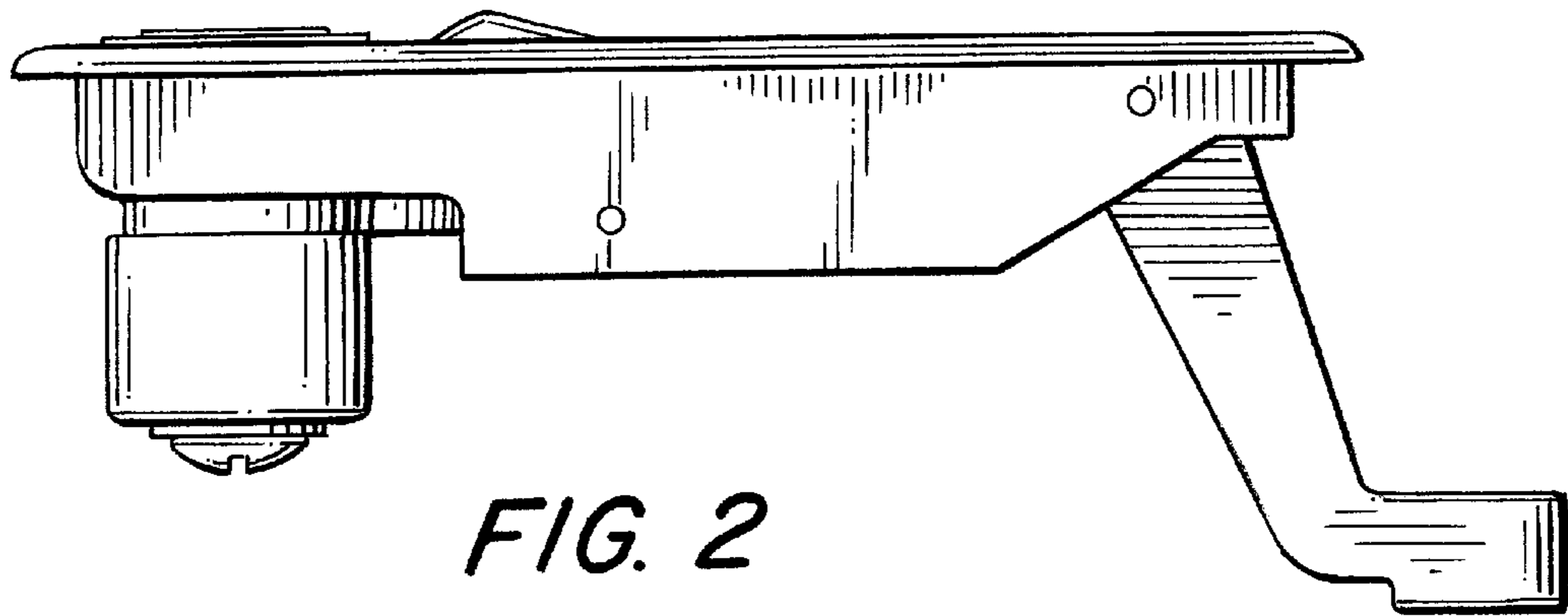


FIG. 2

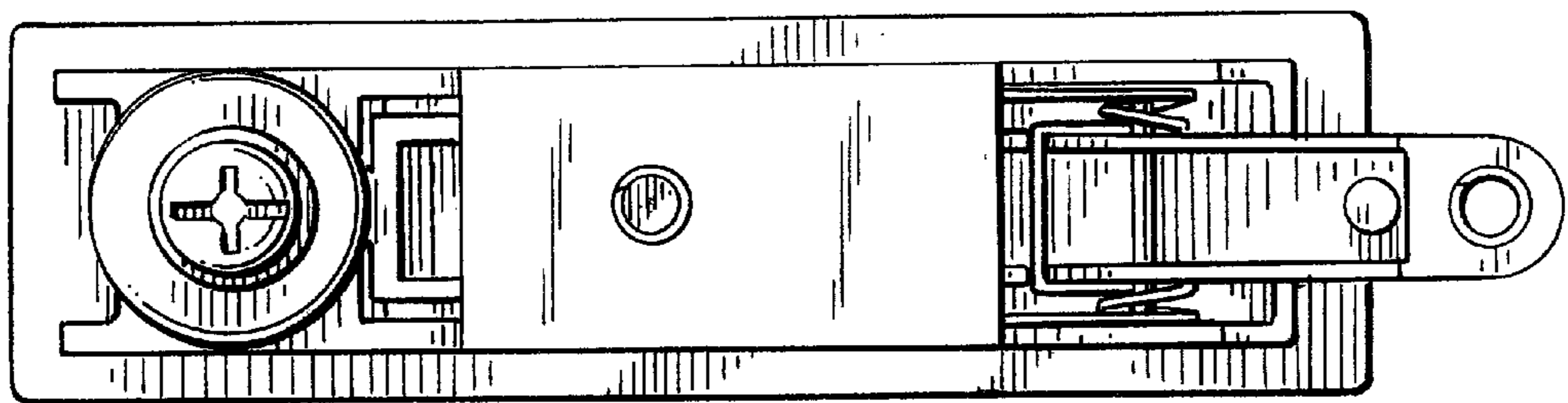


FIG. 3

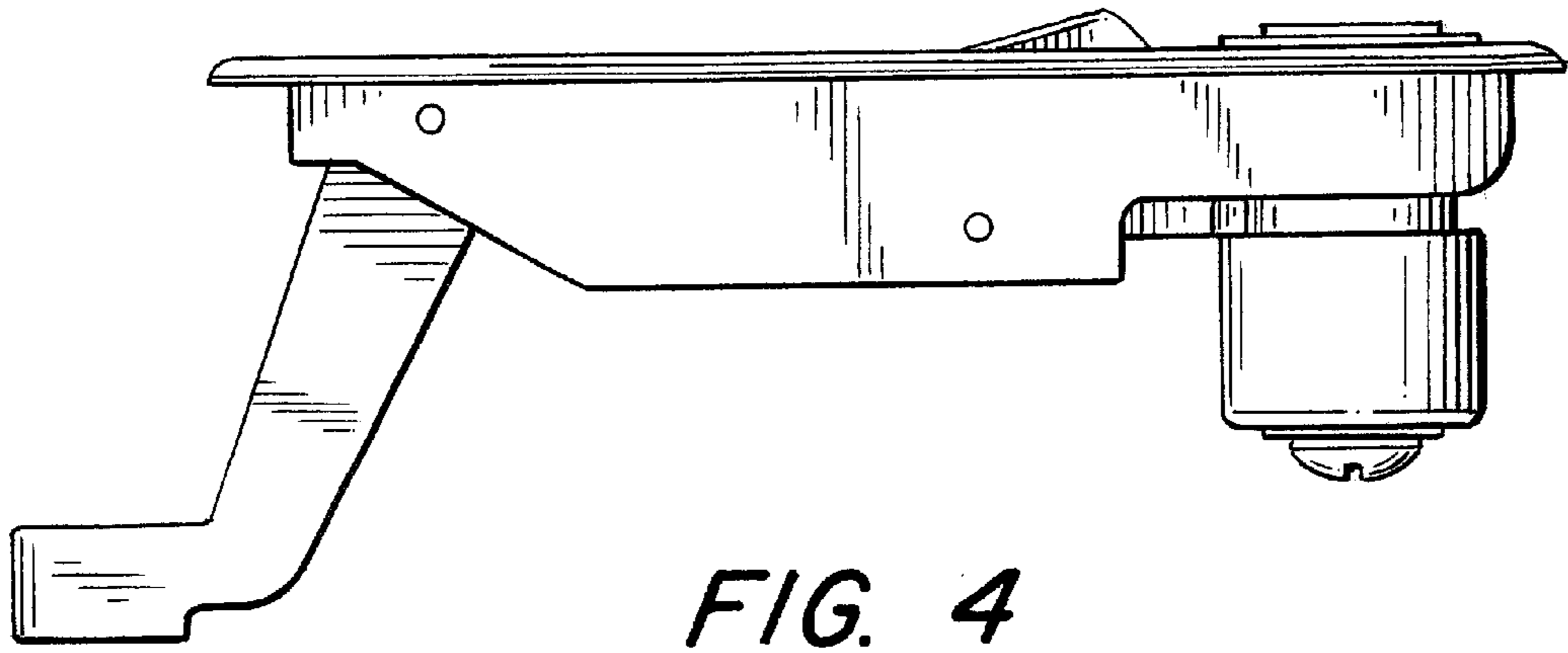


FIG. 4

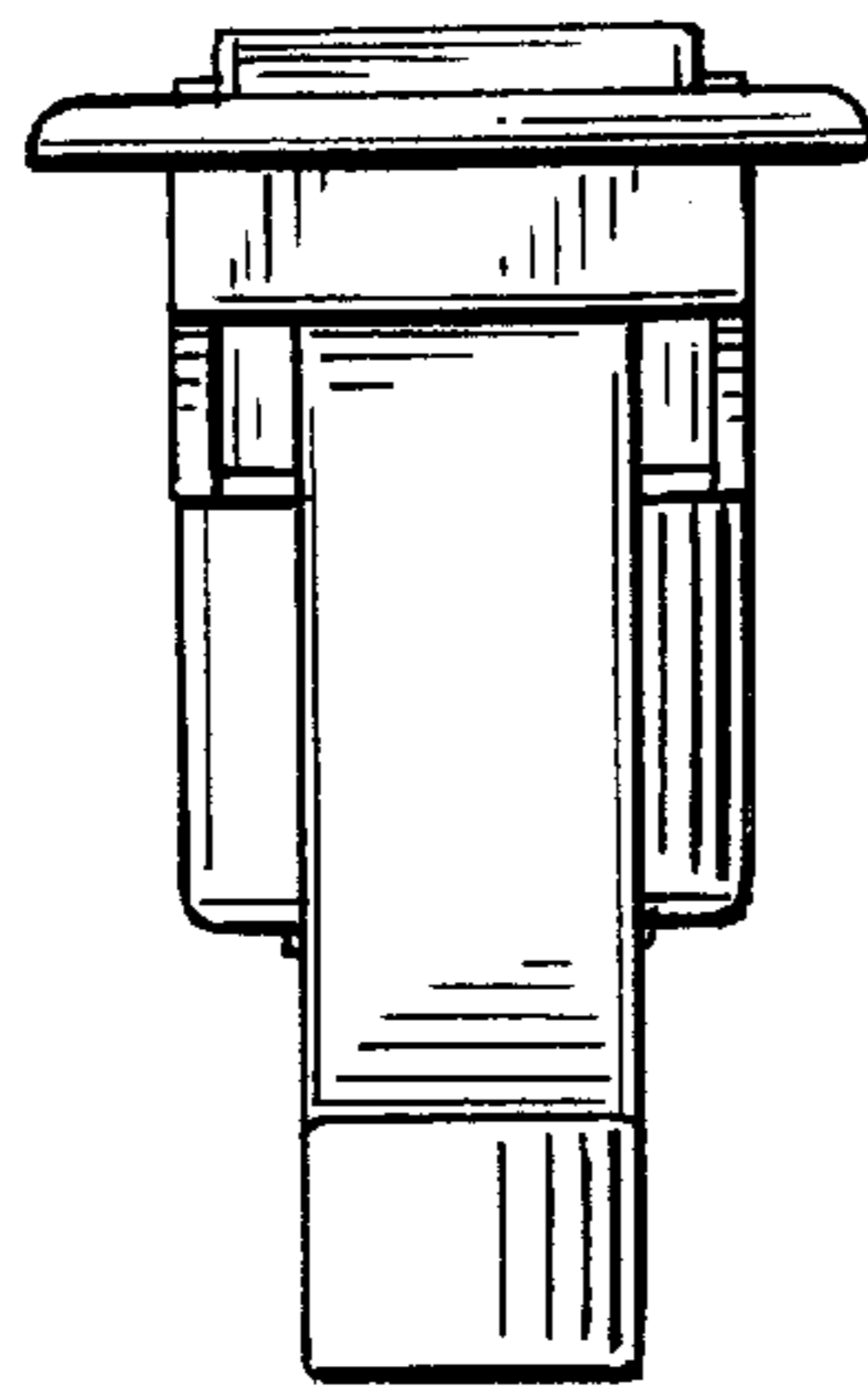


FIG. 5

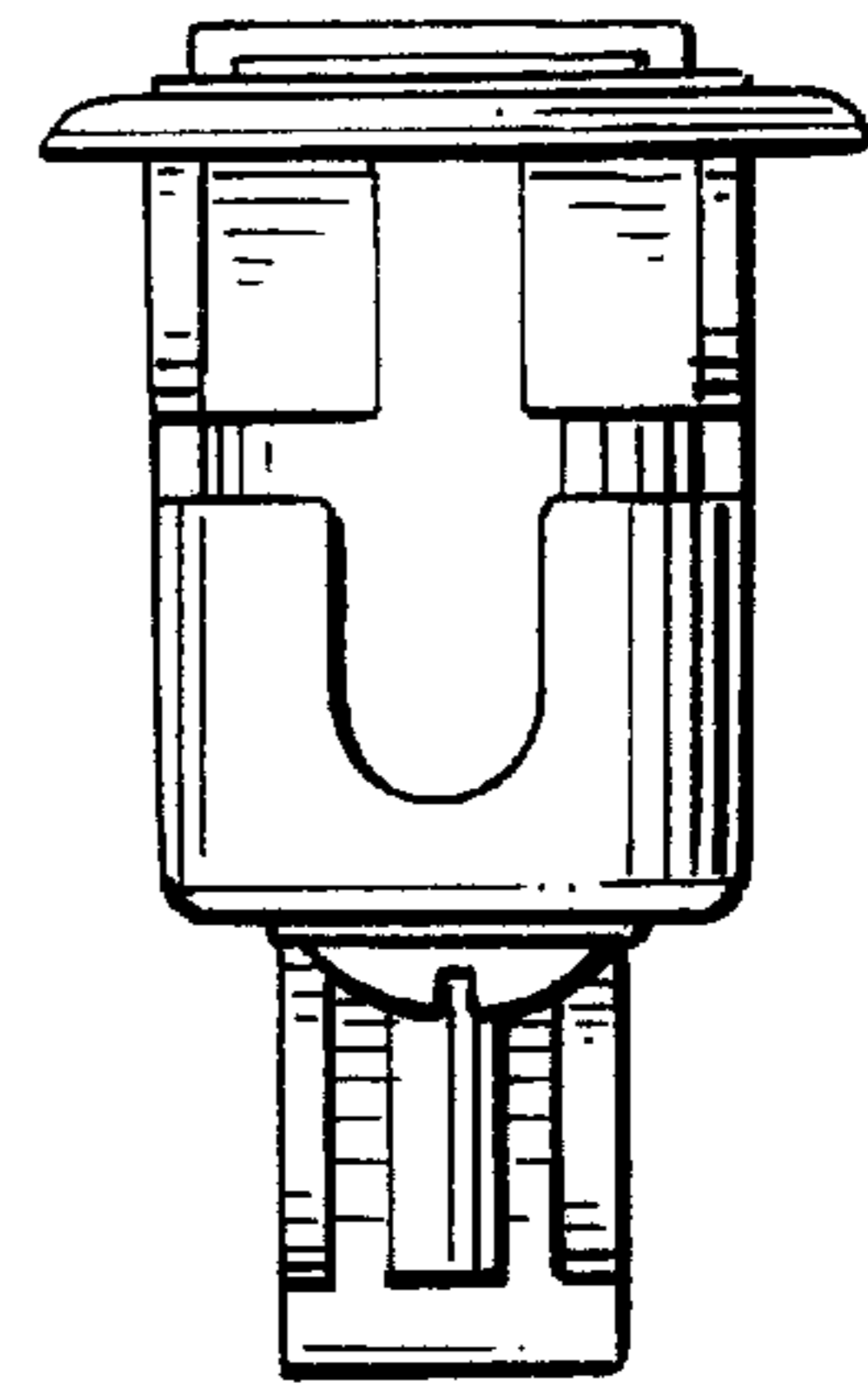


FIG. 6

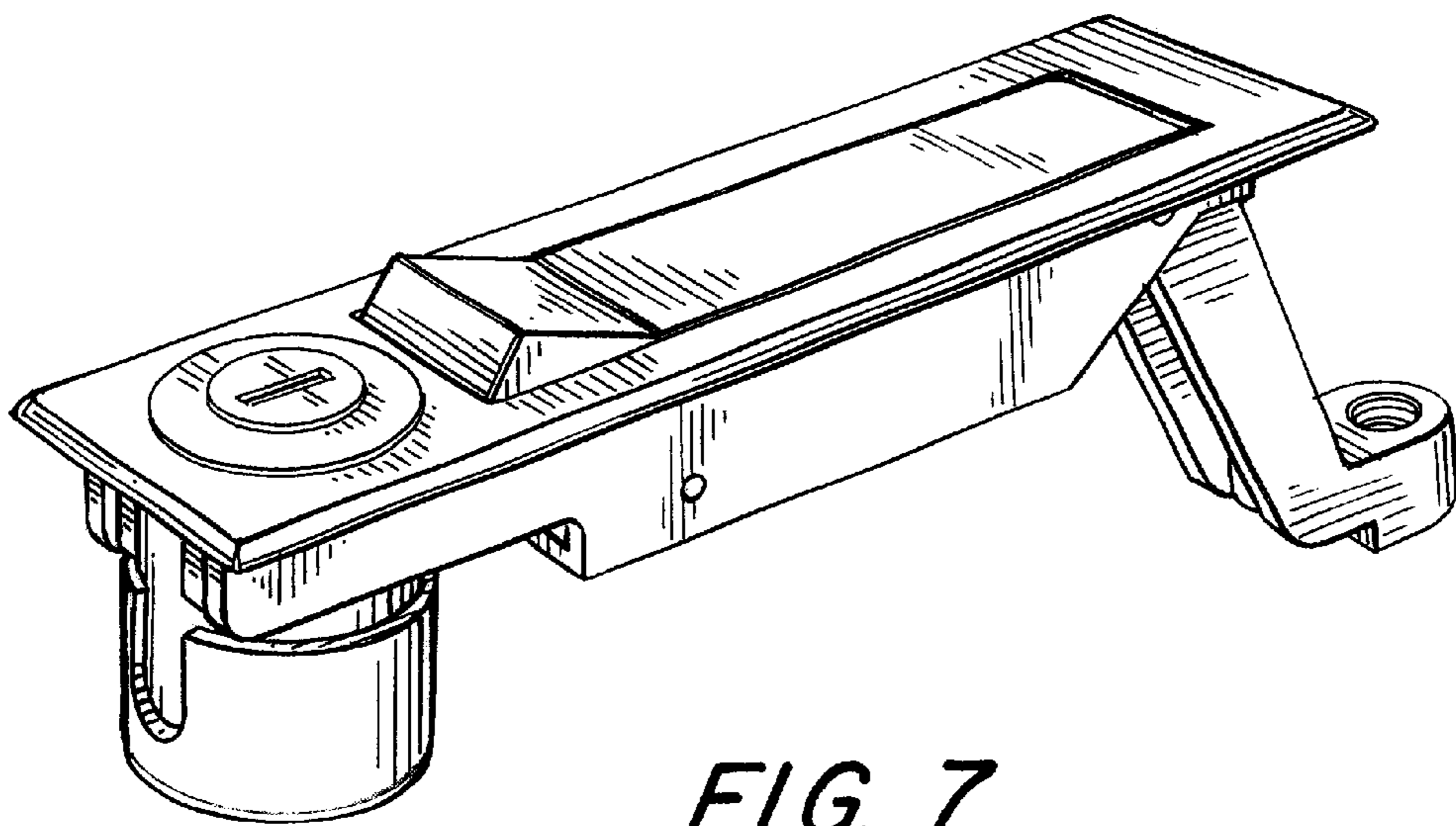


FIG. 7