



US00D483429S

(12) **United States Design Patent**
Tseng

(10) **Patent No.:** **US D483,429 S**

(45) **Date of Patent:** **** Dec. 9, 2003**

(54) **SWING FRAME**

(75) Inventor: **Chuen-Jong Tseng**, Chiayi Hsien (TW)

(73) Assignee: **Shin Yeh Enterprise Co., Ltd.**, Chiayi Hsien (TW)

(**) Term: **14 Years**

(21) Appl. No.: **29/174,235**

(22) Filed: **Jan. 14, 2003**

(51) **LOC (7) Cl.** **21-03**

(52) **U.S. Cl.** **D21/823**

(58) **Field of Search** D21/823-825;
D6/334, 335, 344-347, 374, 375; 248/163.2;
282/83, 86, 148; 472/118

(56) **References Cited**

U.S. PATENT DOCUMENTS

D146,665 S	*	4/1947	Leber	D21/823
D160,341 S	*	10/1950	Reicher	D21/823
D202,567 S	*	10/1965	Hillsdale	D21/823
D224,245 S	*	7/1972	Hock	D21/826
D257,165 S	*	9/1980	Ezell	D21/823

D305,584 S	*	1/1990	Spilman et al.	D6/344
5,197,730 A	*	3/1993	Ask	472/118
D347,458 S	*	5/1994	Cunard et al.	D21/818
D363,524 S	*	10/1995	Ziegler et al.	D21/823
5,511,258 A	*	4/1996	Barr, Sr.	5/104
6,348,028 B1	*	2/2002	Cragg	482/148

* cited by examiner

Primary Examiner—Mitchell Siegel

(74) *Attorney, Agent, or Firm*—Ladas & Parry

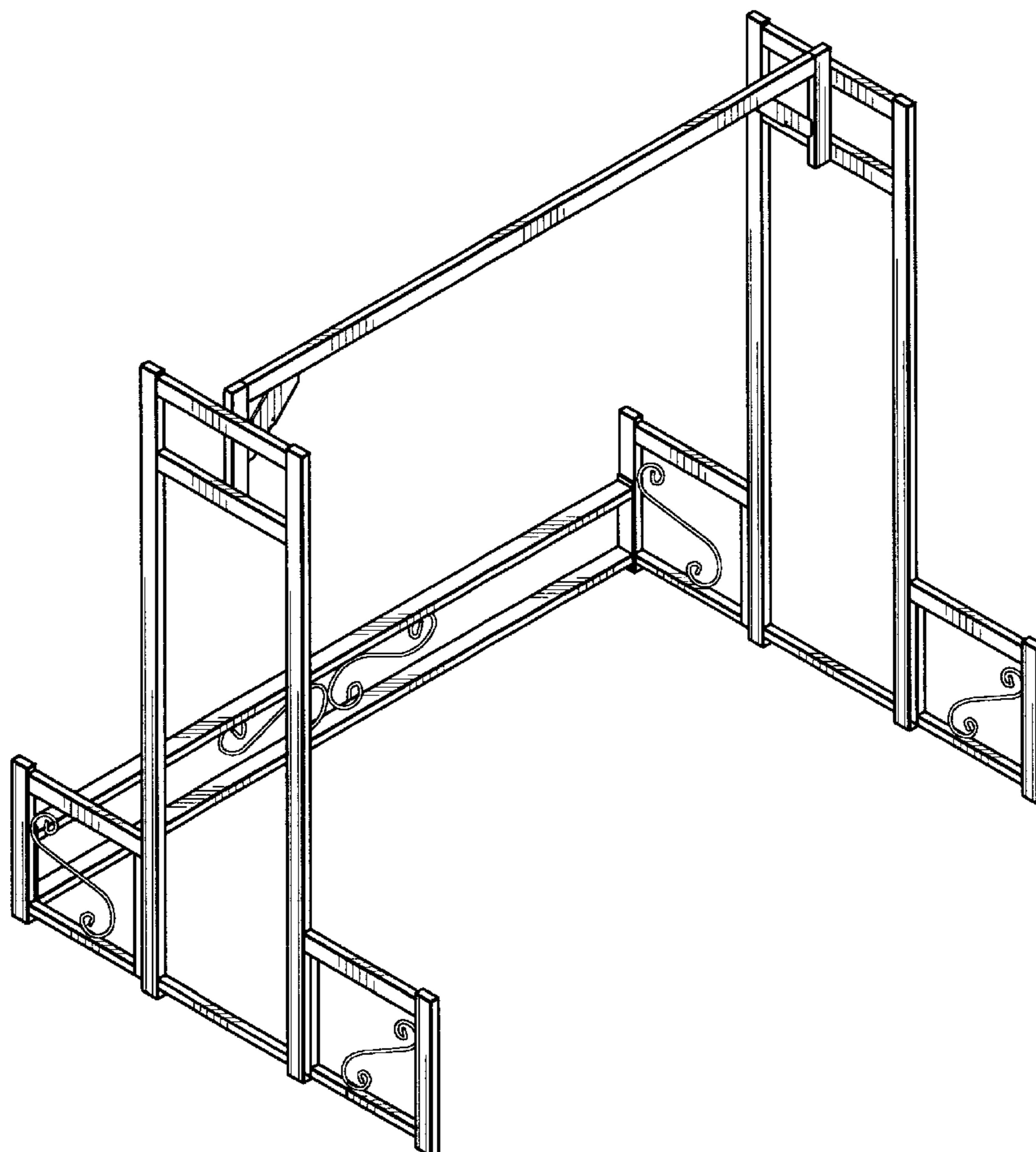
(57) **CLAIM**

The ornamental design for swing frame, as shown and described.

DESCRIPTION

FIG. 1 is a perspective view of swing frame showing my new design;
FIG. 2 is a front elevational view thereof;
FIG. 3 is a rear elevational view thereof;
FIG. 4 is a left side elevational view thereof;
FIG. 5 is a right side elevational view thereof;
FIG. 6 is a top plan view thereof; and,
FIG. 7 is a bottom plan view thereof.

1 Claim, 4 Drawing Sheets



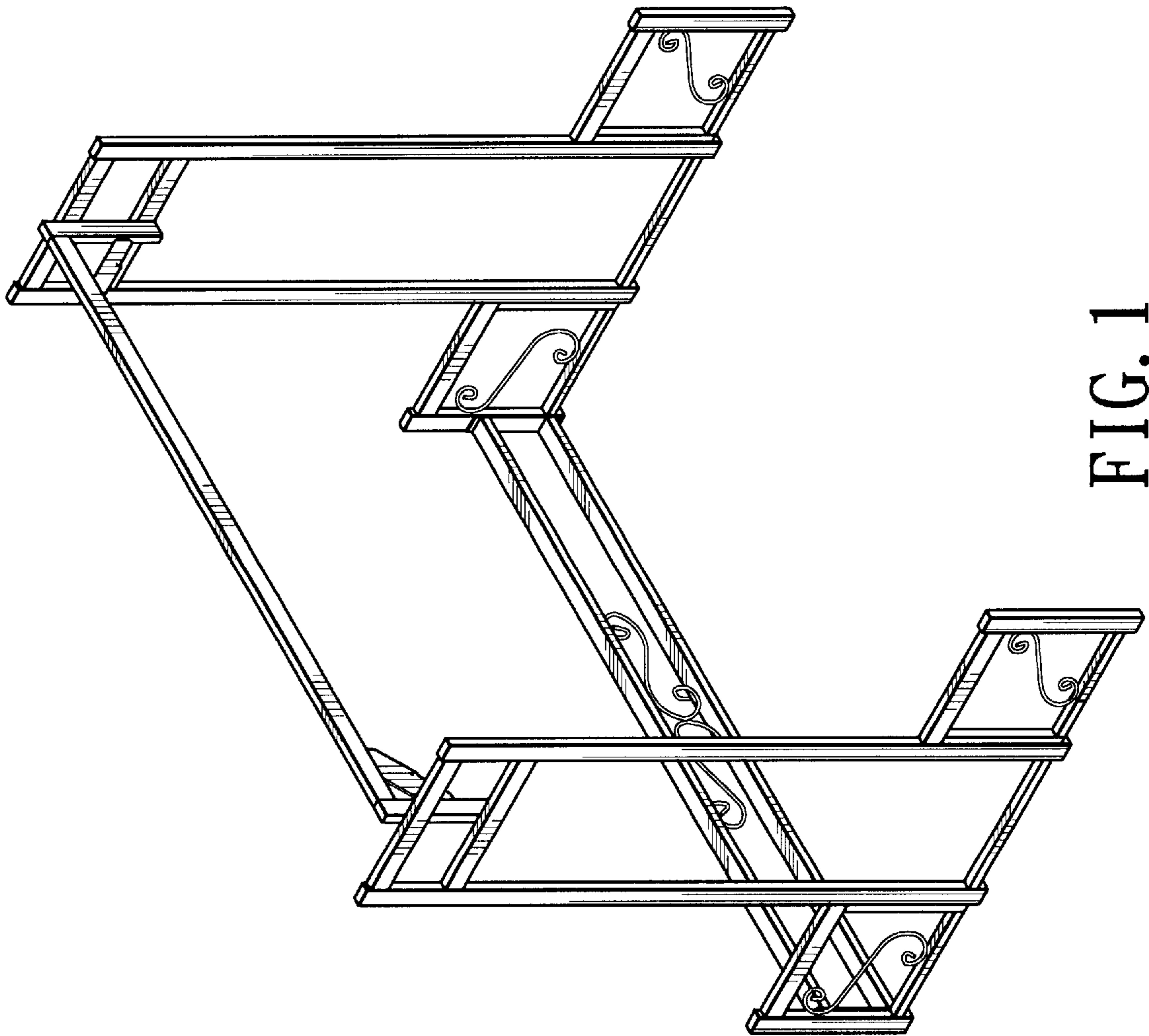


FIG. 1

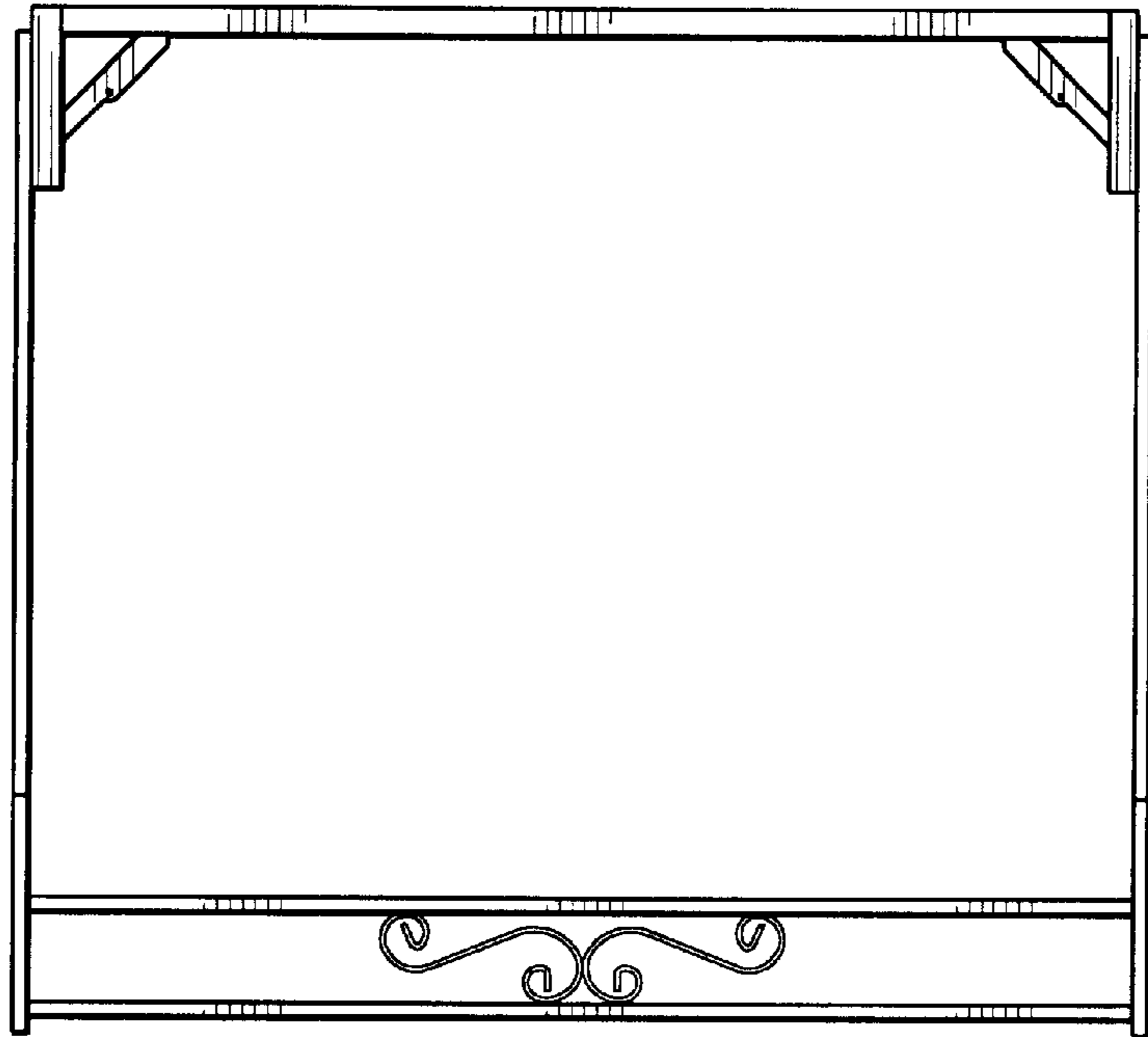


FIG. 2

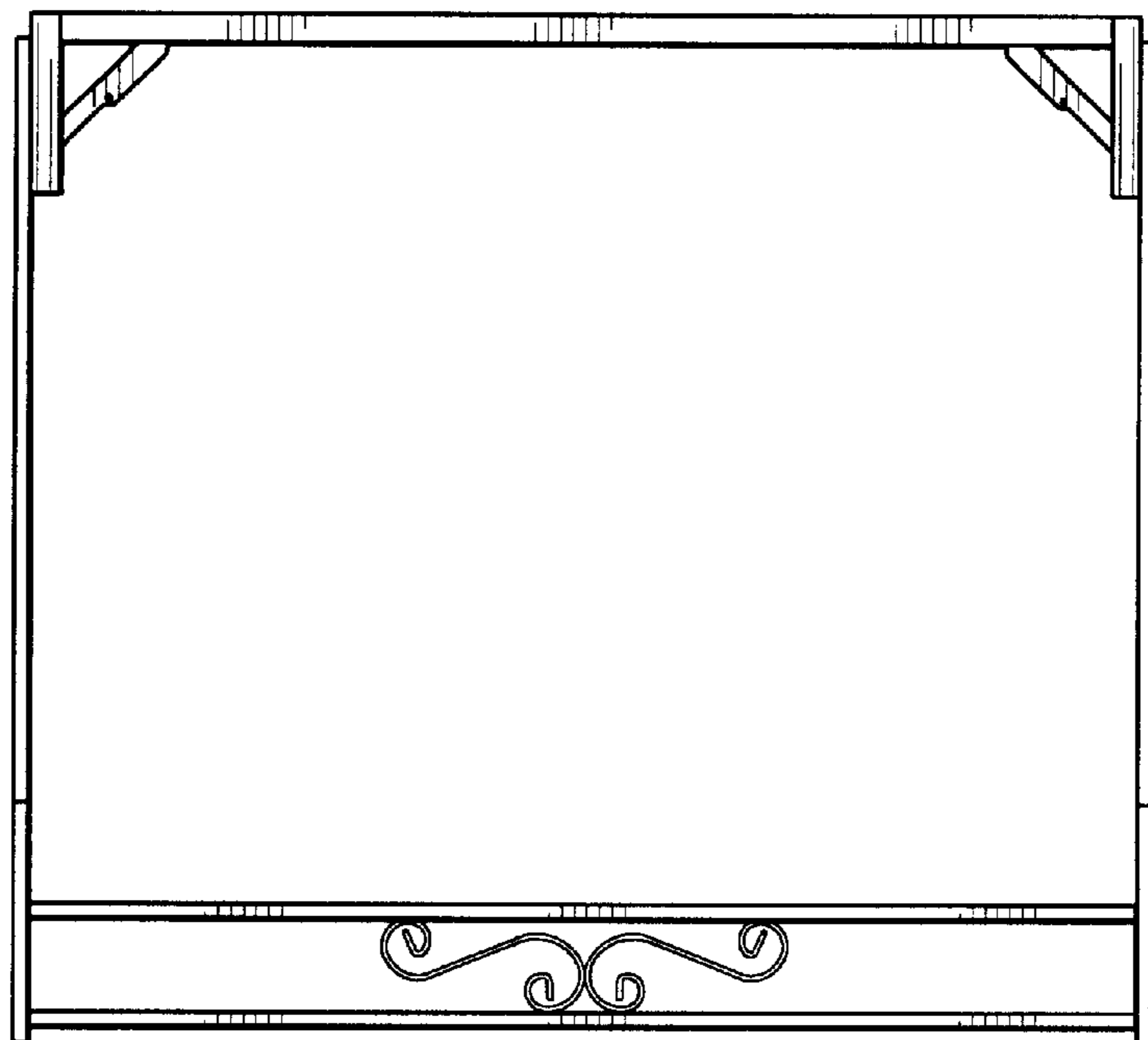


FIG. 3

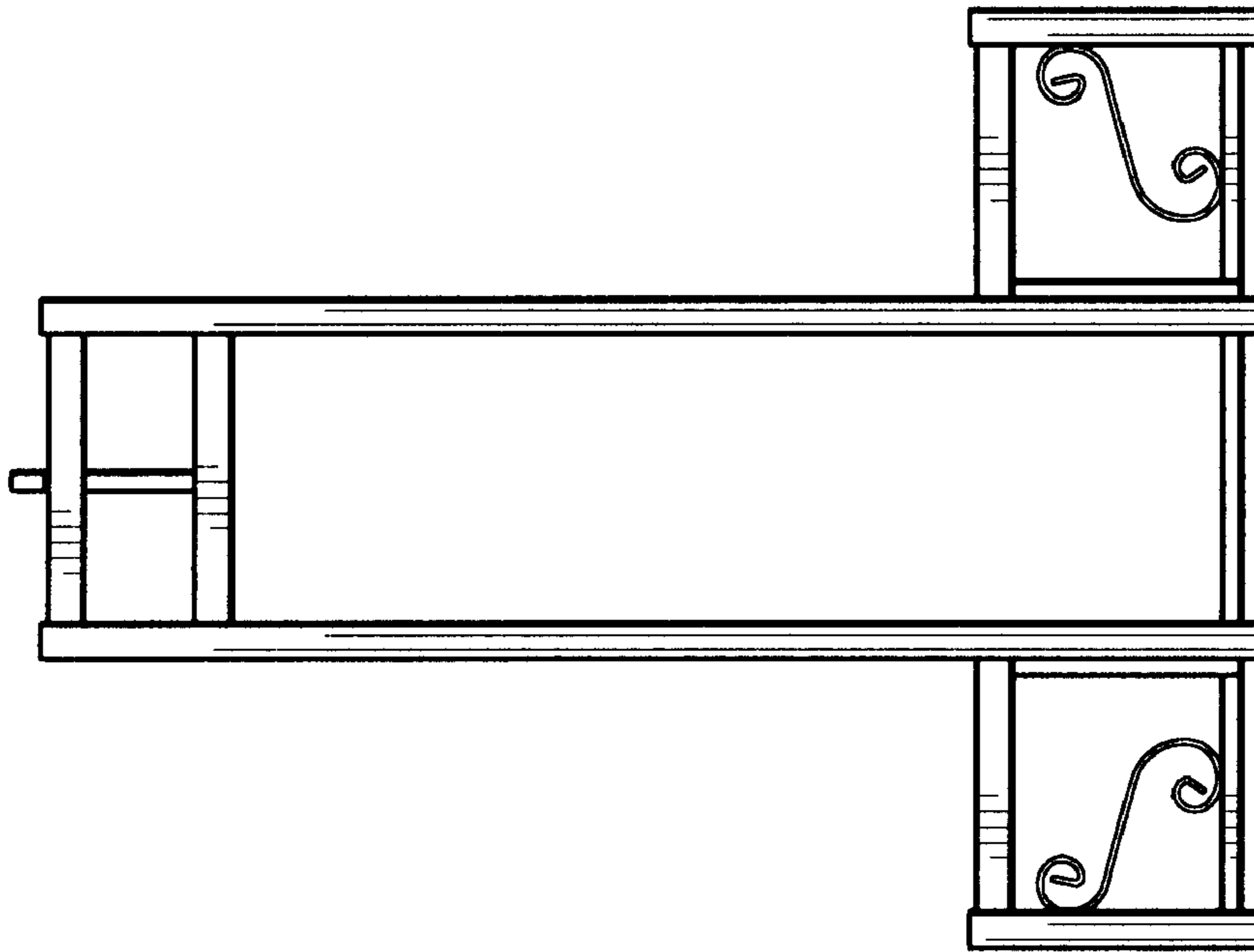


FIG. 5

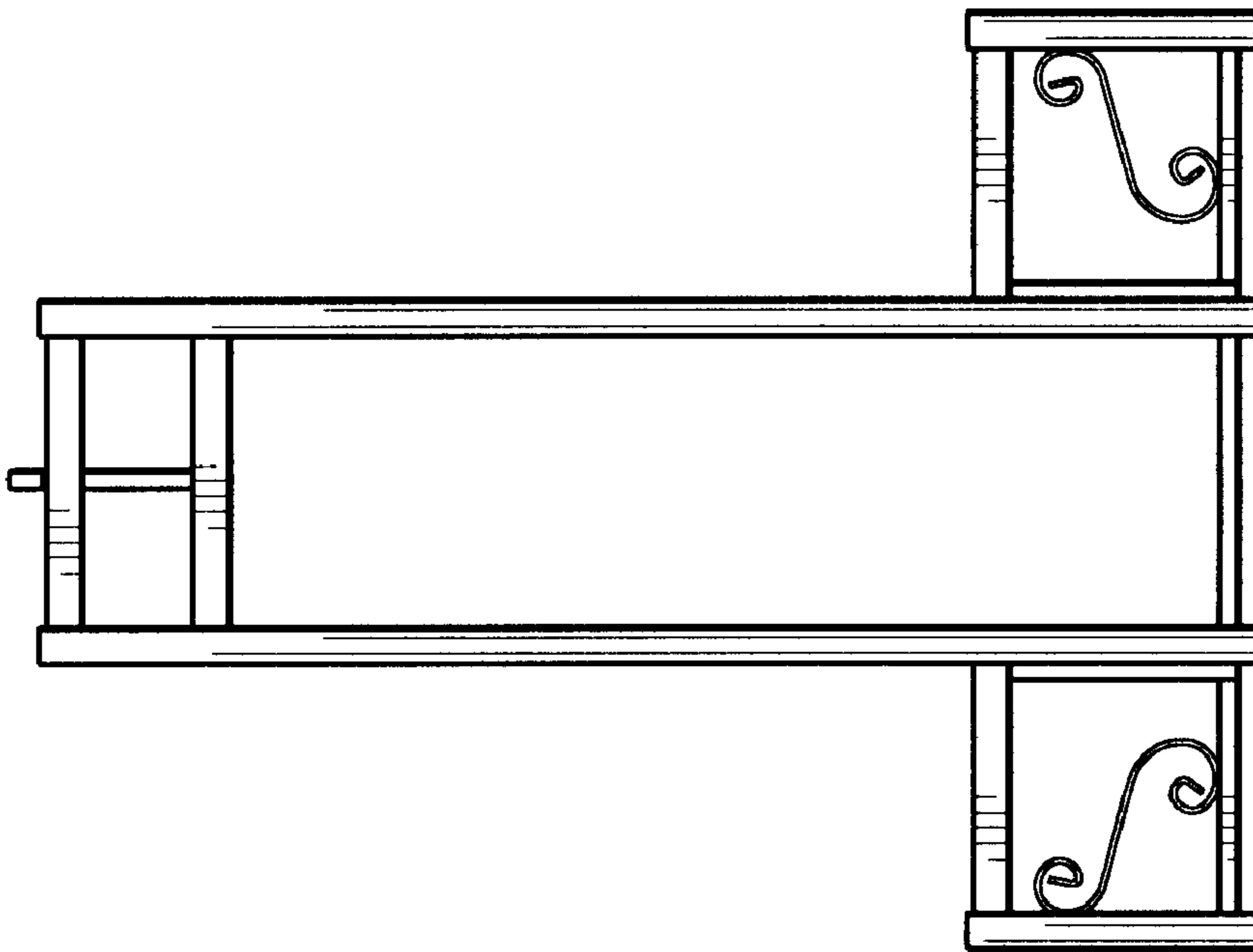


FIG. 4

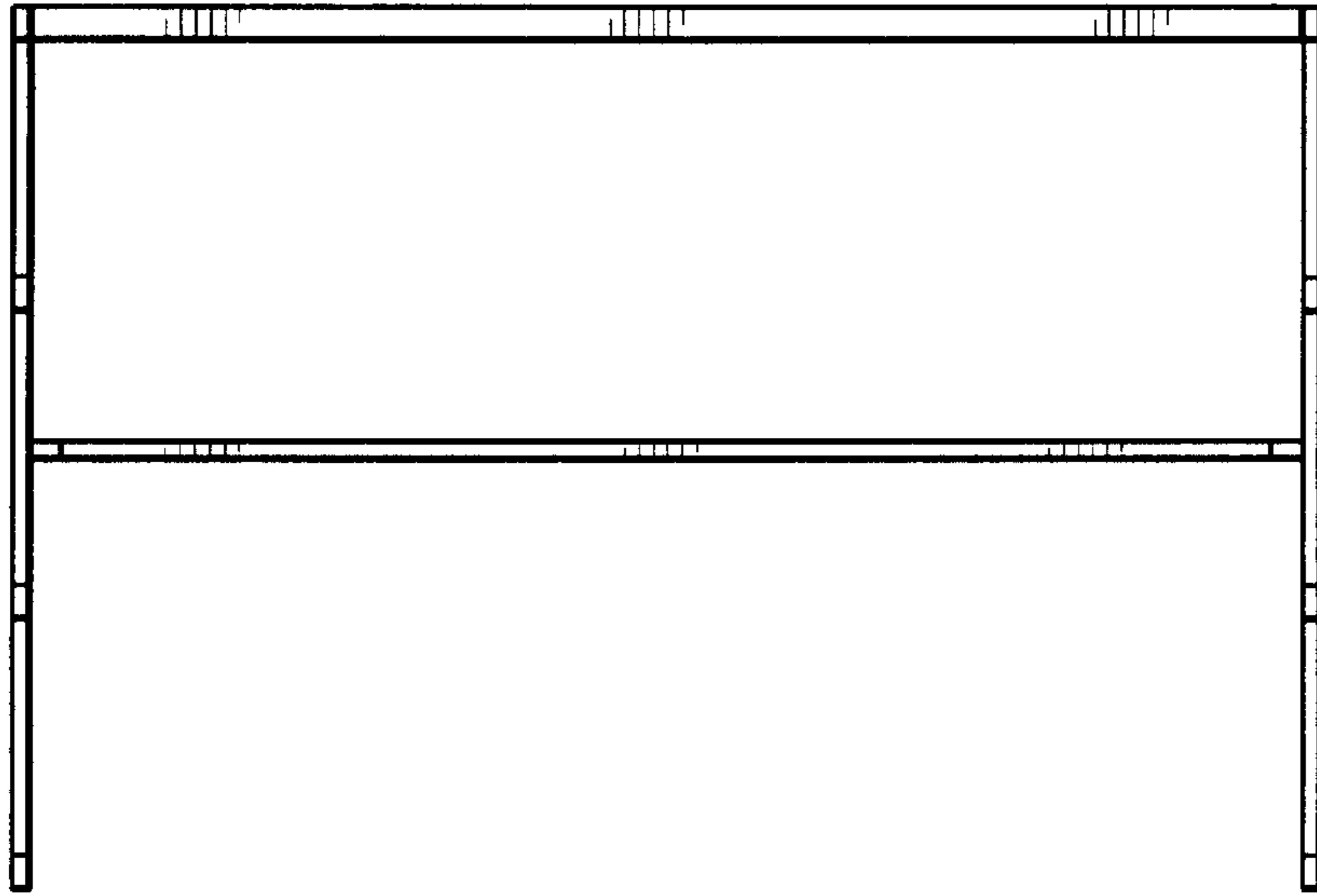


FIG. 6



FIG. 7