



US00D483427S

(12) **United States Design Patent**  
**Lim**

(10) **Patent No.:** **US D483,427 S**

(45) **Date of Patent:** **\*\* Dec. 9, 2003**

(54) **GOLF CLUBS ORGANIZER**

(76) **Inventor:** **Terry Kia Ngee Lim**, C/o 19 Benoi Place, Singapore (SG), 629936

(\*\*) **Term:** **14 Years**

(21) **Appl. No.:** **29/171,885**

(22) **Filed:** **Dec. 2, 2002**

(30) **Foreign Application Priority Data**

Aug. 7, 2002 (GB) ..... 3006062

(51) **LOC (7) Cl.** ..... **21-02**

(52) **U.S. Cl.** ..... **D21/796**

(58) **Field of Search** ..... D21/789, 796;  
206/315.2, 315.3, 315.5–315.7; 211/70.2

(56) **References Cited**

**U.S. PATENT DOCUMENTS**

- 5,228,566 A \* 7/1993 Shenoha ..... 206/315.6
- 5,613,603 A \* 3/1997 Joh ..... 206/315.6
- 6,105,792 A \* 8/2000 Chang ..... 211/70.2
- 6,244,438 B1 \* 6/2001 Weinmeier ..... 206/315.6
- 6,328,161 B1 \* 12/2001 Kang ..... 206/315.3

- 6,357,585 B1 \* 3/2002 Shin ..... 206/315.6
- D455,469 S \* 4/2002 Kyrwood ..... D21/789
- 6,536,588 B1 \* 3/2003 Kyrwood ..... 206/315.6
- D472,376 S \* 4/2003 Wampler et al. .... D3/255

\* cited by examiner

*Primary Examiner*—Mitchell Siegel

(74) *Attorney, Agent, or Firm*—Kathleen T. Petrich

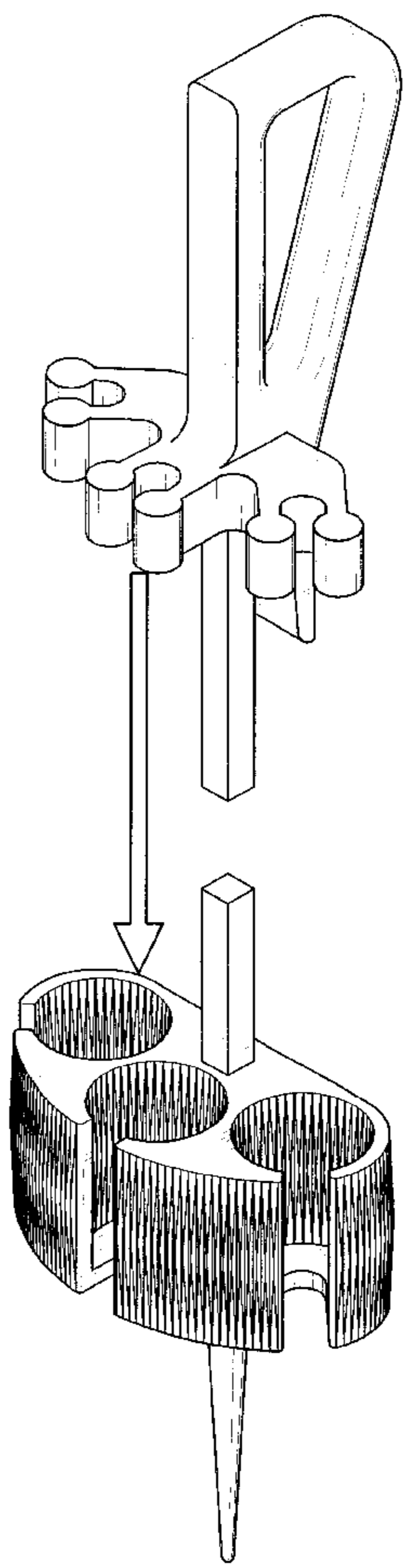
(57) **CLAIM**

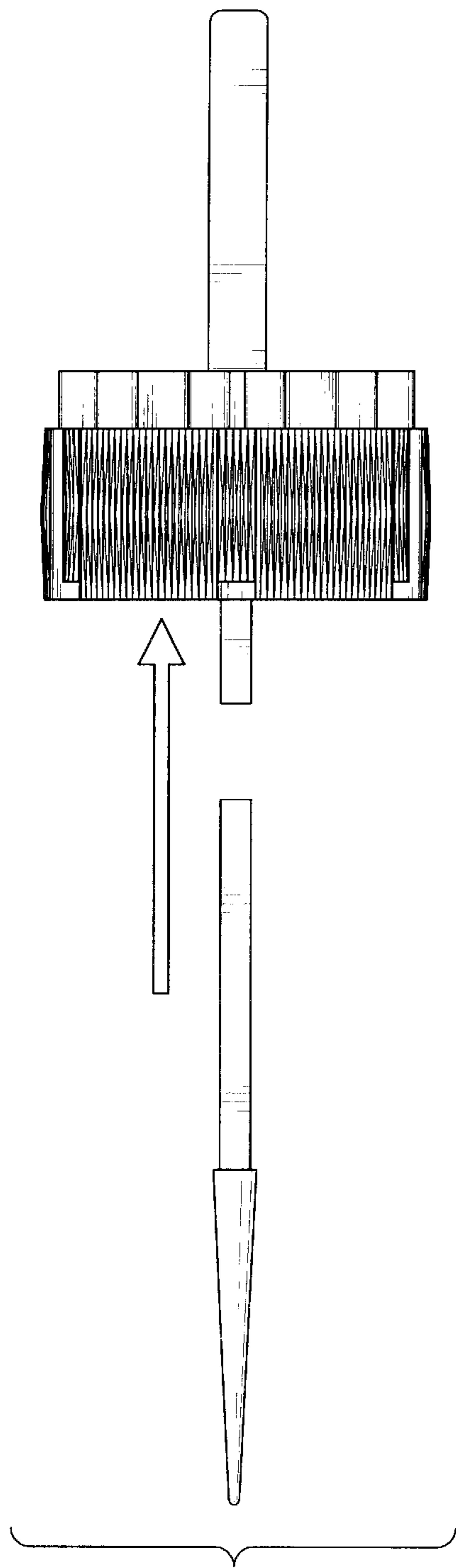
I claim the ornamental design for a golf clubs organizer, as shown and described.

**DESCRIPTION**

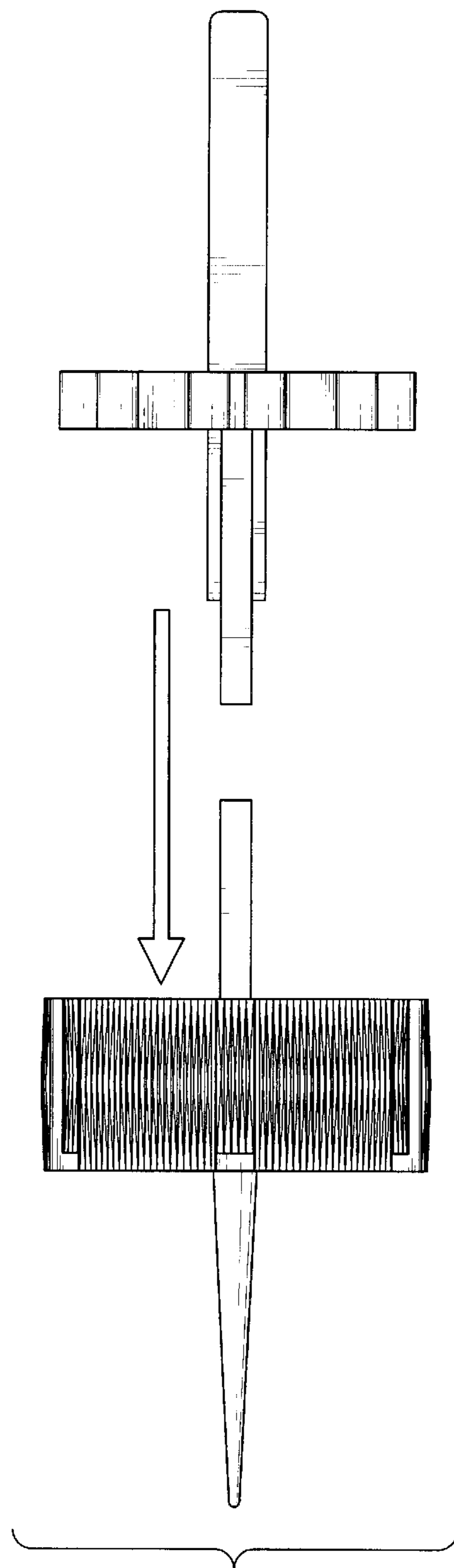
FIG. 1 is an exploded front view of a golf club organizer; FIG. 2 is another exploded front view of a golf club organizer; FIG. 3 is a right side view of FIG. 1; FIG. 4 is a right side view of FIG. 2; FIG. 5 is a perspective view of FIG. 1; FIG. 6 is a perspective view of FIG. 2; FIG. 7 is a top plan view; and, FIG. 8 is a bottom plan view.

**1 Claim, 4 Drawing Sheets**

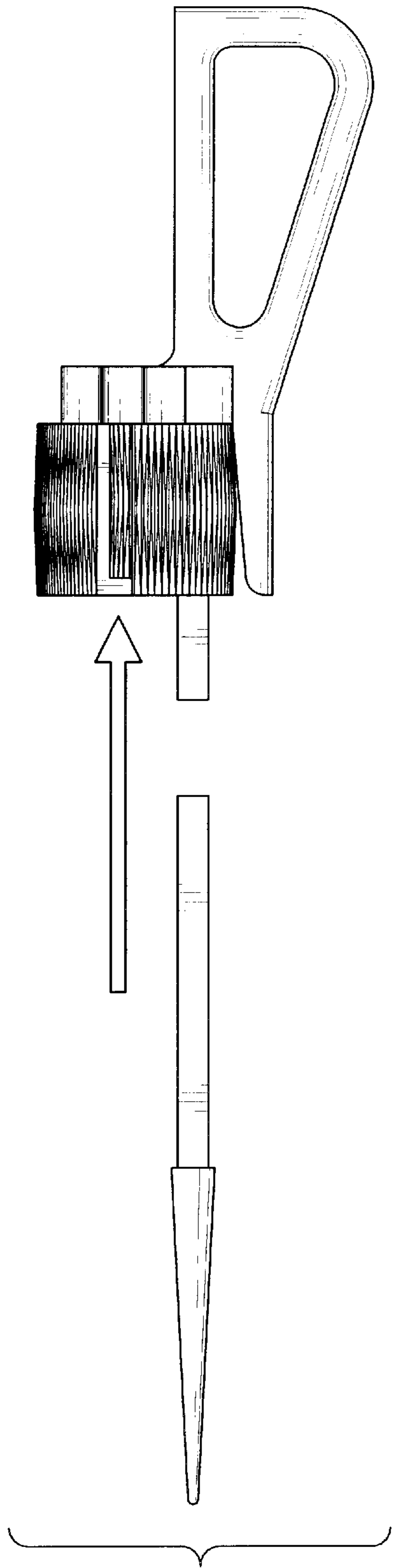




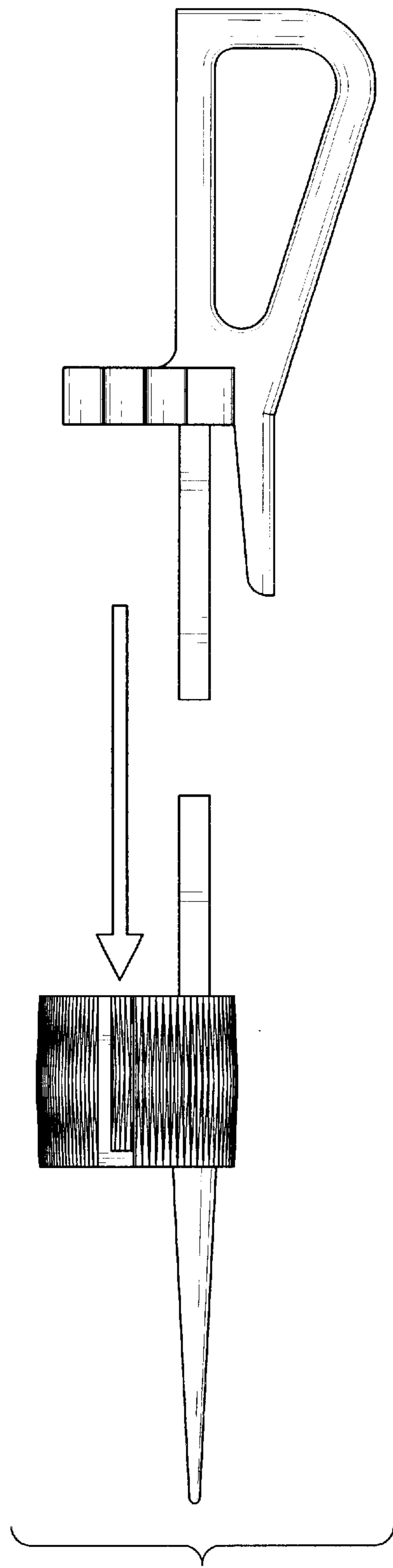
*Fig. 1*



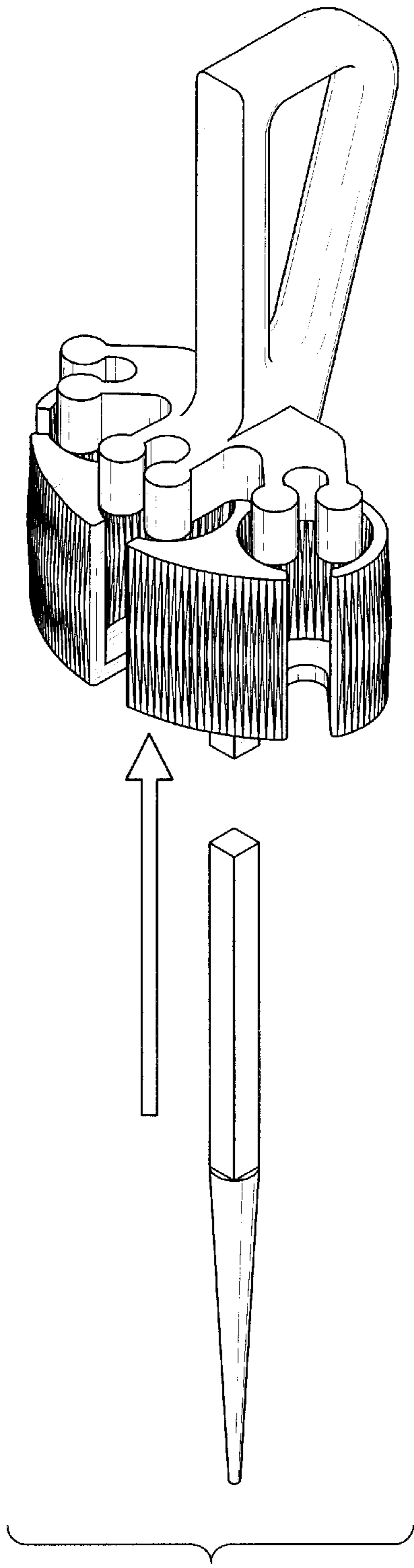
*Fig. 2*



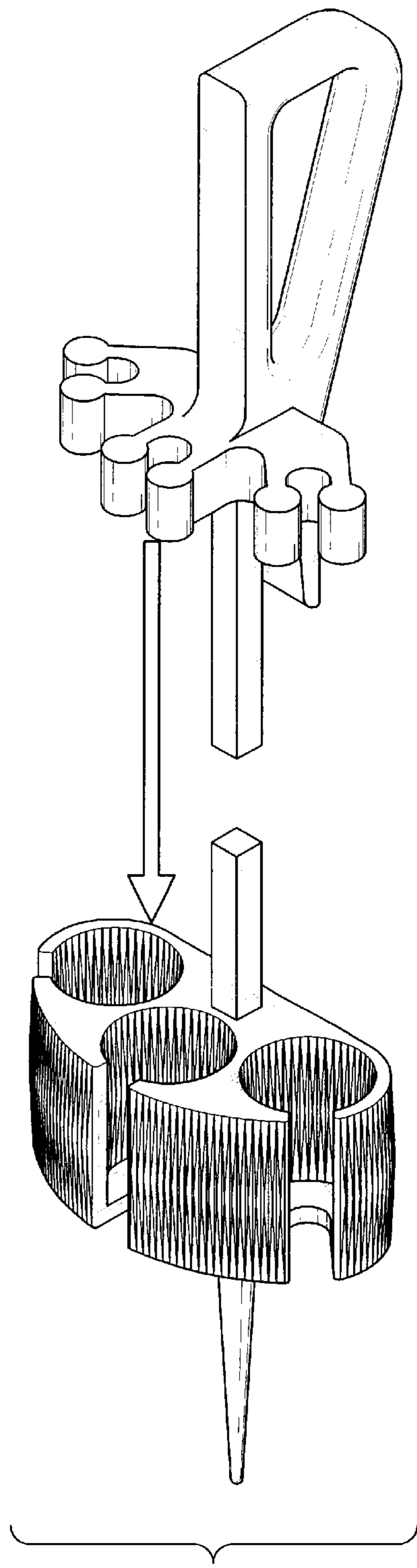
*Fig. 3*



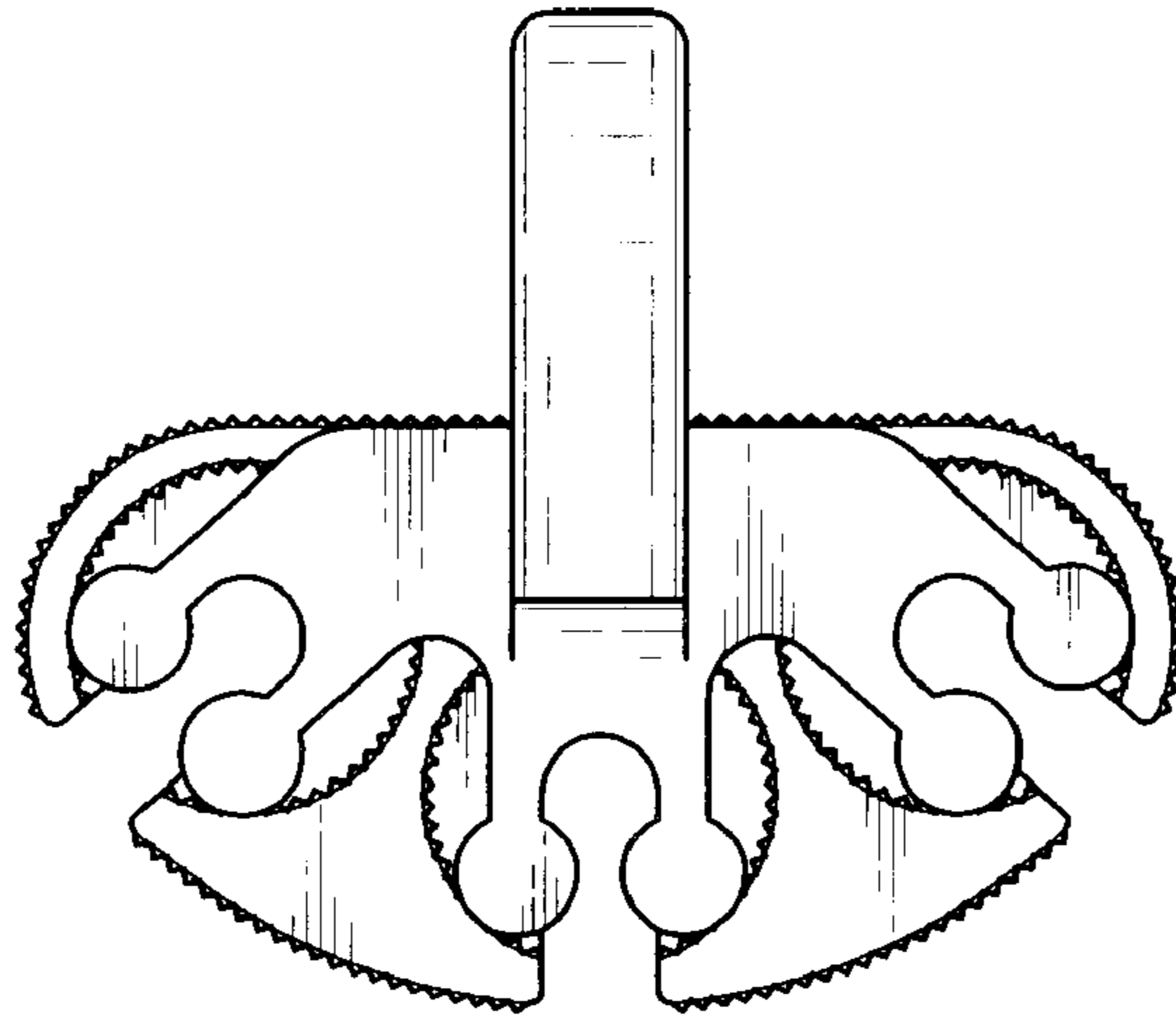
*Fig. 4*



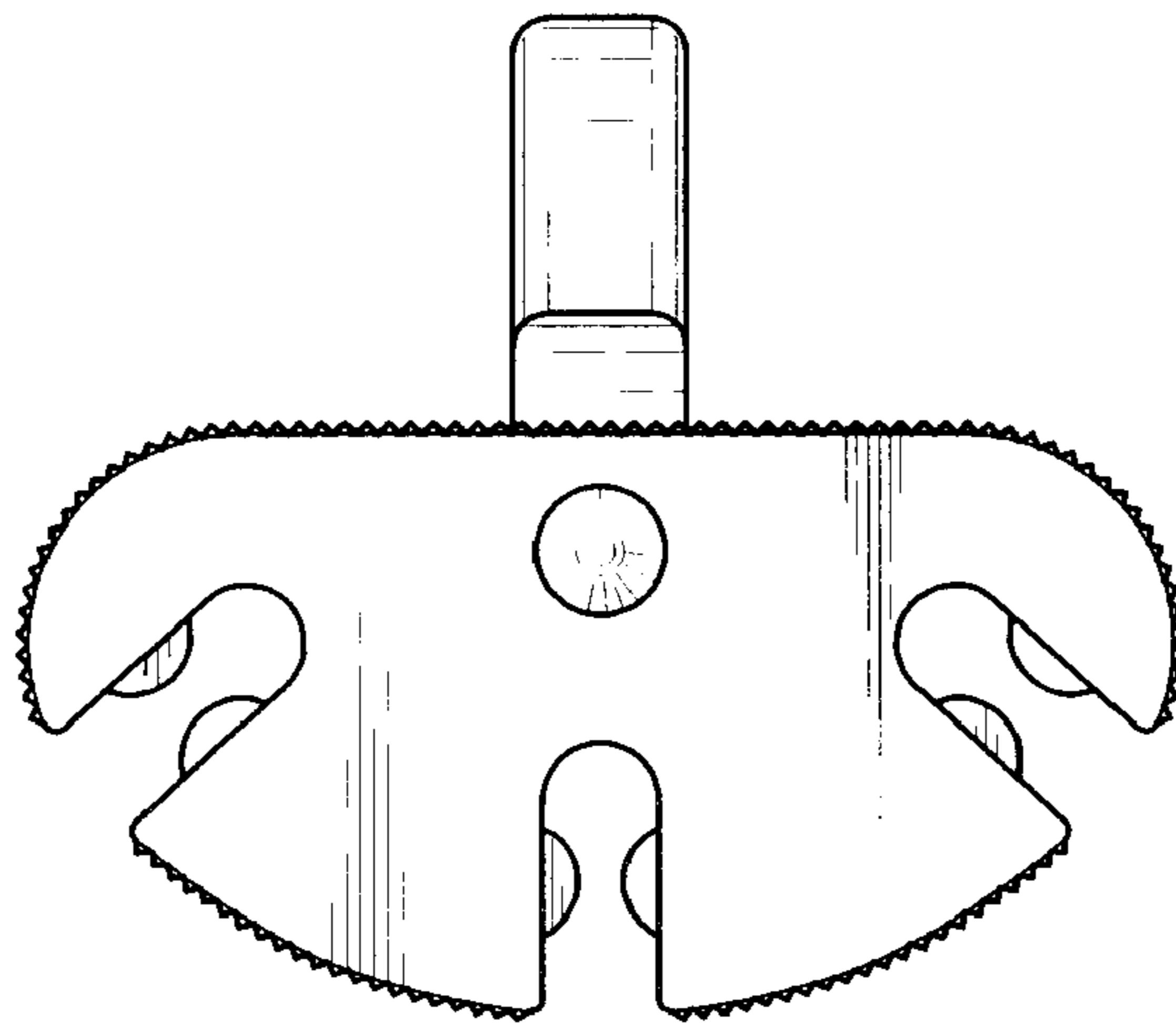
*Fig. 5*



*Fig. 6*



*Fig. 7*



*Fig. 8*