



US00D483413S

(12) **United States Design Patent**
Merenlender

(10) **Patent No.:** **US D483,413 S**

(45) **Date of Patent:** **** Dec. 9, 2003**

(54) **ILLUMINATED SIGN**

(75) **Inventor:** **Yuval Merenlender**, Huntingdon Valley, PA (US)

(73) **Assignee:** **Urban Graphics LLC**, Bala Cynwyd, PA (US)

(**) **Term:** **14 Years**

(21) **Appl. No.:** **29/177,589**

(22) **Filed:** **Mar. 13, 2003**

(51) **LOC (7) Cl.** **20-02**

(52) **U.S. Cl.** **D20/41; D20/10**

(58) **Field of Search** D20/10, 17, 19, D20/39, 40, 41, 42, 43, 99; D19/52; 40/541, 546, 568, 572, 585

(56) **References Cited**

U.S. PATENT DOCUMENTS

1,148,341	A	*	7/1915	Spencer	40/570
D117,096	S	*	10/1939	Good et al.	D19/52
D185,523	S	*	6/1959	Wright	D99/31
D207,622	S	*	5/1967	Dreyfuss	D20/19
3,478,200	A		11/1969	Hewson		
3,537,201	A		11/1970	Huey et al.		
4,075,775	A	*	2/1978	Shorette	40/553
D310,576	S	*	9/1990	Narbut et al.	D26/58

D371,807	S	*	7/1996	Mandell et al.	D20/10
D401,279	S	*	11/1998	Thorp et al.	D19/52
5,882,105	A	*	3/1999	Barlow	362/226
D413,933	S	*	9/1999	Glicksman	D20/41
5,950,340	A	*	9/1999	Woo	40/564
D434,807	S	*	12/2000	Justen et al.	D20/10
D435,066	S	*	12/2000	Hurschman	D19/52
6,240,664	B1	*	6/2001	Hjaltason	40/546
6,338,212	B1		1/2002	Santa Cruz et al.		
6,493,973	B1		12/2002	Nelson		

* cited by examiner

Primary Examiner—Robert M. Spear

(74) *Attorney, Agent, or Firm*—Gregory J. Gore

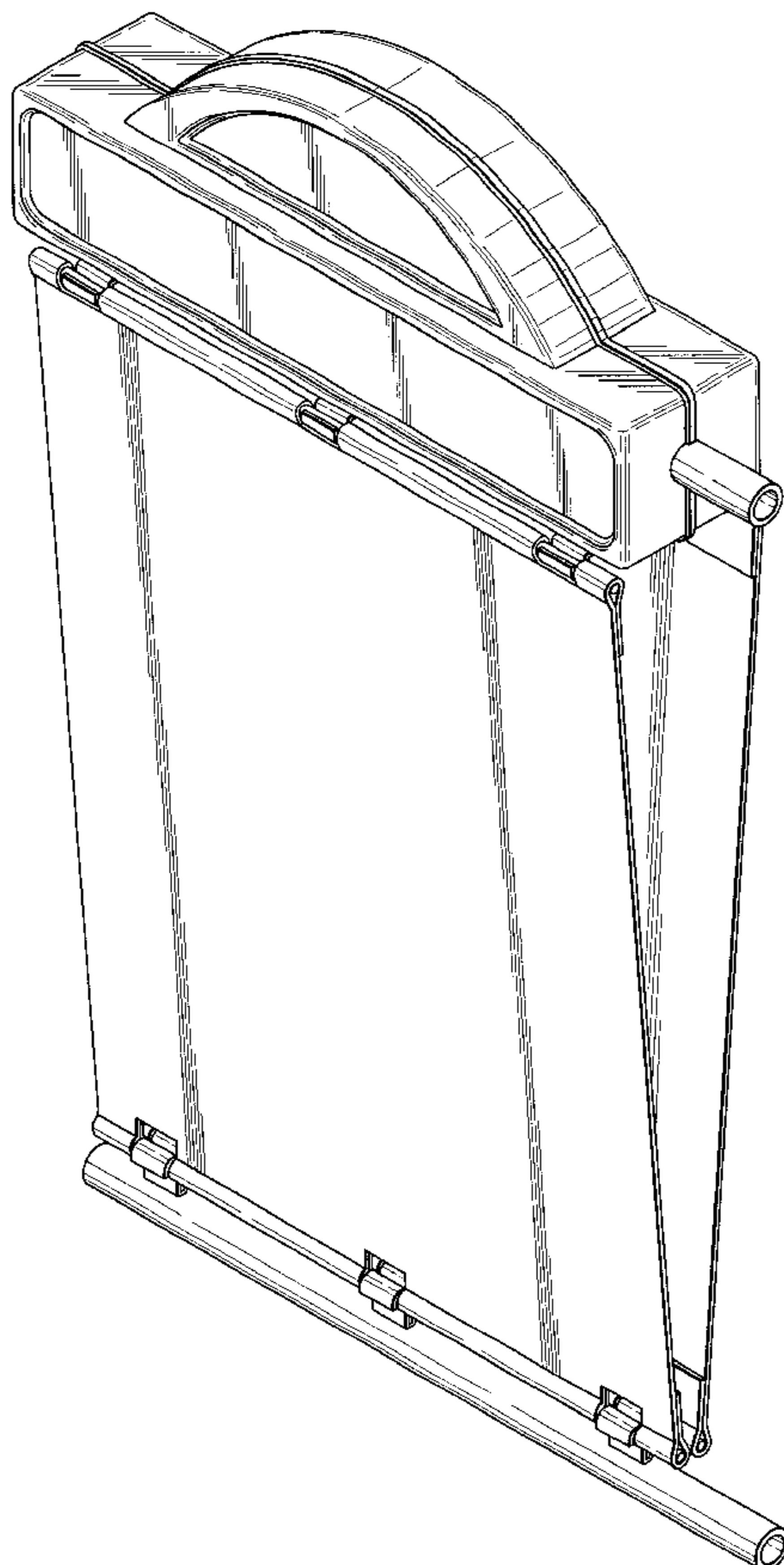
(57) **CLAIM**

The ornamental design for an illuminated sign, as shown and described.

DESCRIPTION

FIG. 1 is a top right front isometric view showing my new design for an illuminated sign;
FIG. 2 is a rear view thereof;
FIG. 3 is a right side view thereof;
FIG. 4 is a left side view thereof;
FIG. 5 is a top plan view thereof; and,
FIG. 6 is a bottom view thereof.

1 Claim, 4 Drawing Sheets



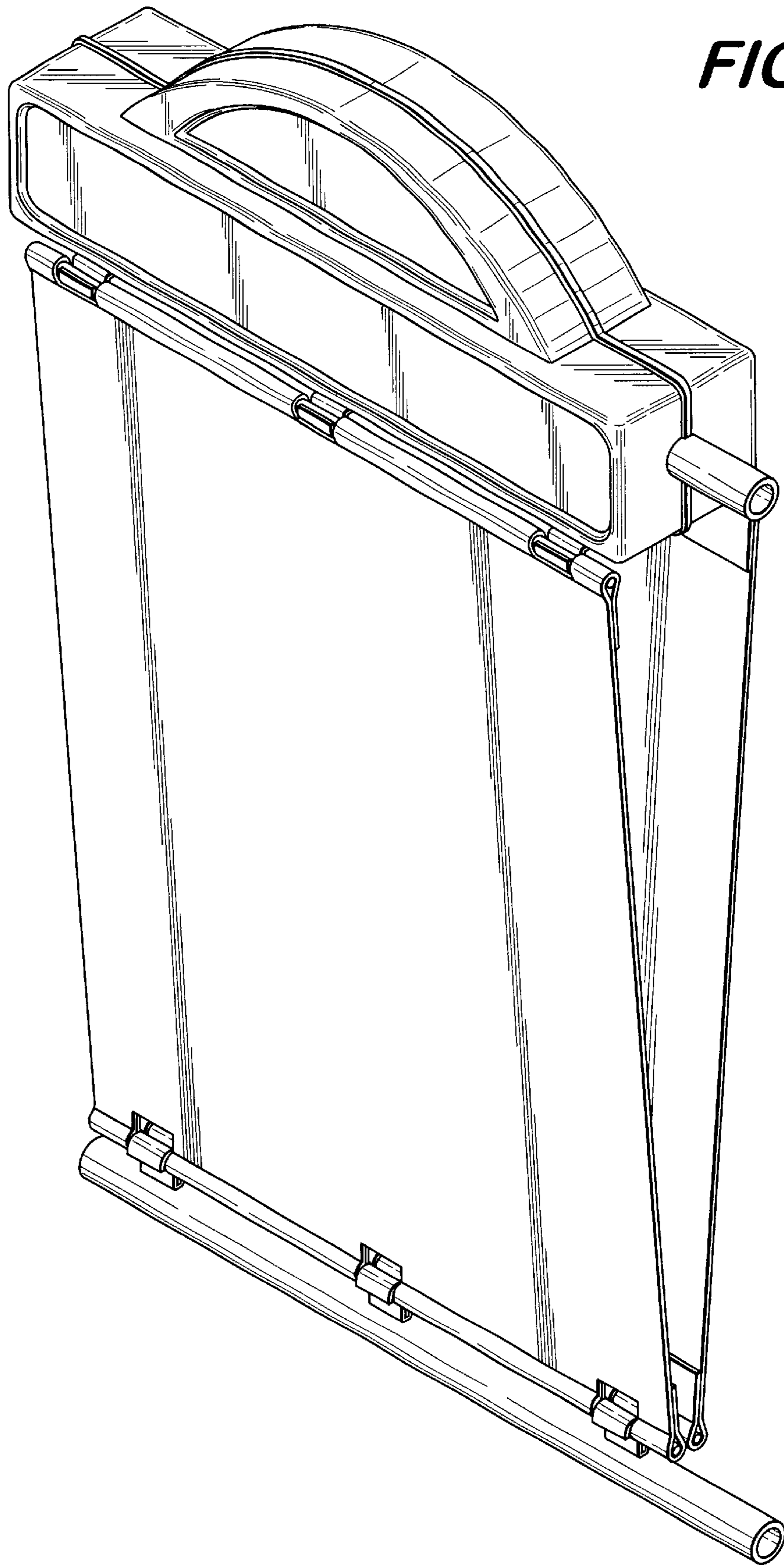


FIG. 1

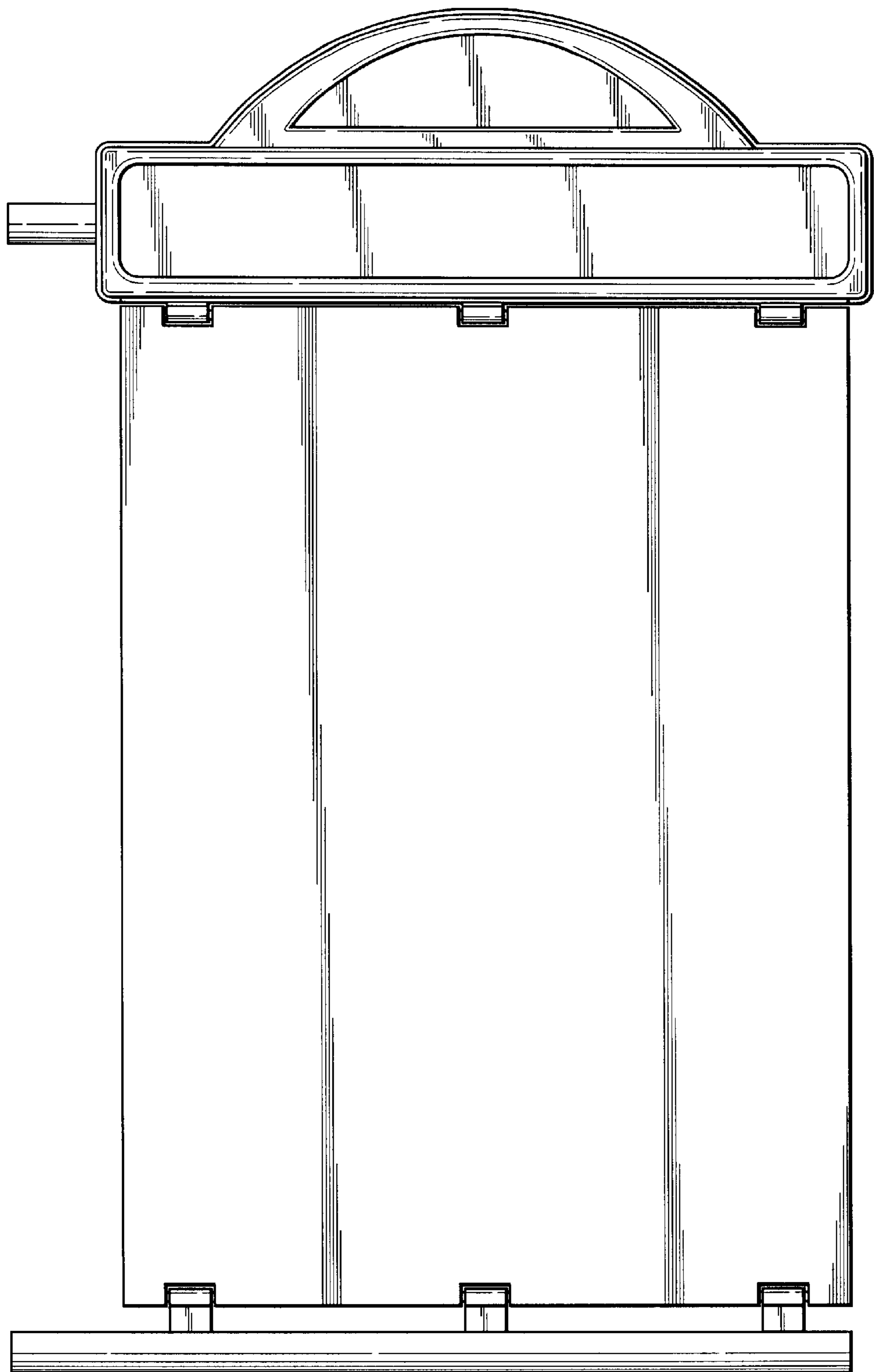


FIG. 2

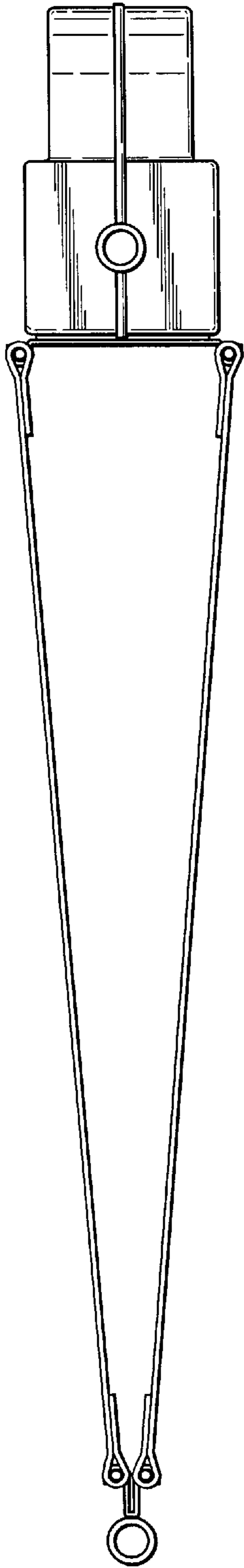


FIG. 3

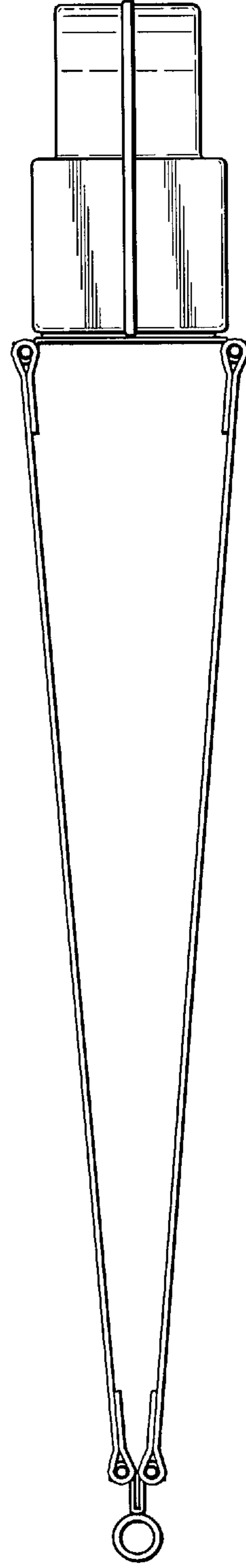


FIG. 4

FIG. 5

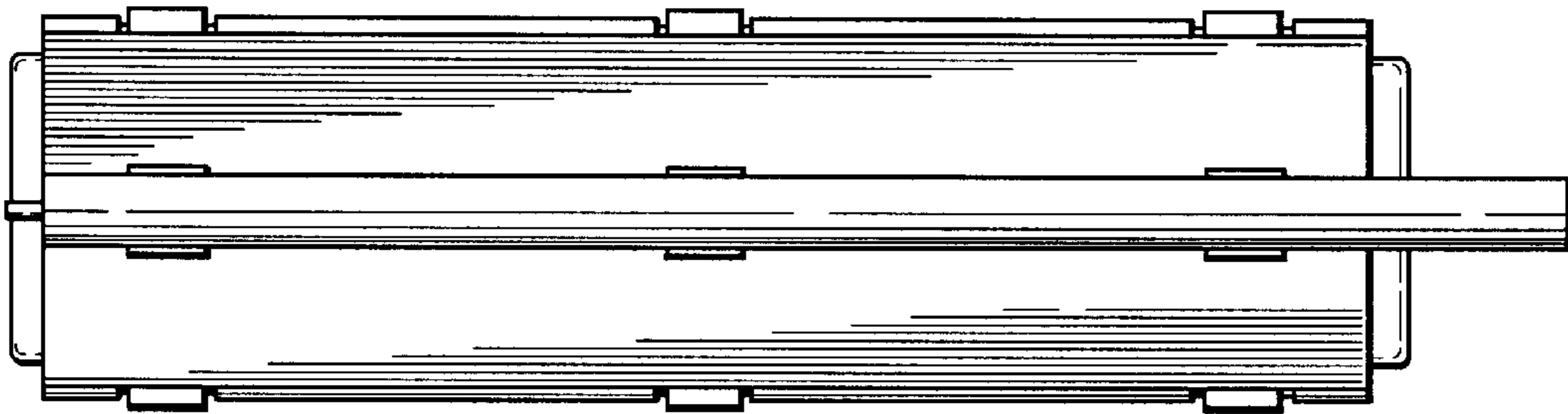
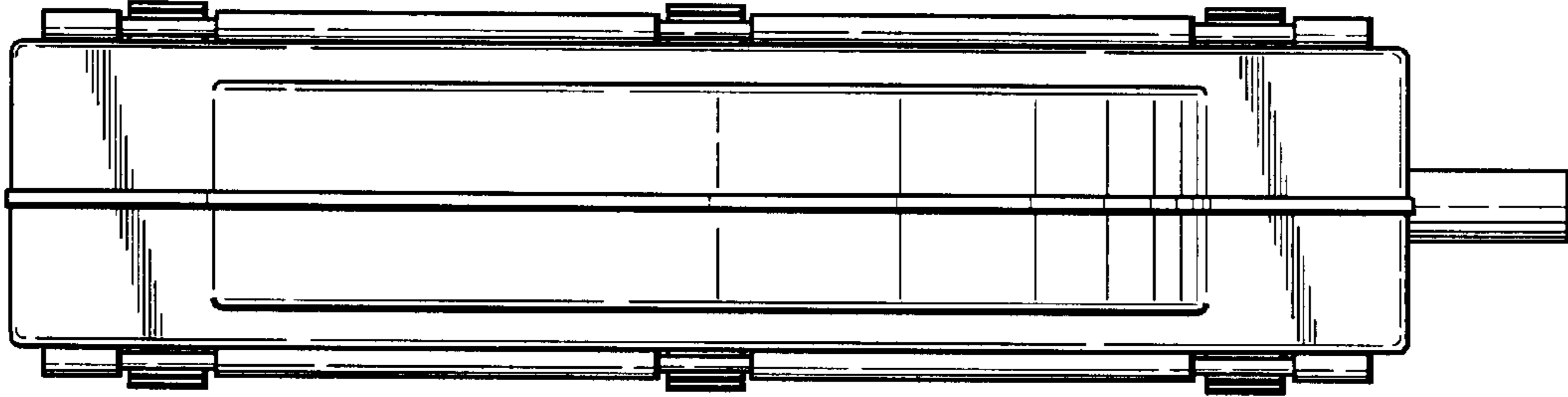


FIG. 6