



US00D483409S

(12) **United States Design Patent**
Watanabe et al.

(10) **Patent No.:** **US D483,409 S**

(45) **Date of Patent:** **** Dec. 9, 2003**

(54) **REPLACEMENT CASSETTE TAPE FOR TAPE TRANSFER DEVICE**

(75) Inventors: **Kazuya Watanabe**, Osaka (JP);
Kiyofumi Hayashi, Osaka (JP)

(73) Assignee: **Fujicopian Co., Ltd.**, Osaka (JP)

(**) Term: **14 Years**

(21) Appl. No.: **29/154,408**

(22) Filed: **Jan. 23, 2002**

(30) **Foreign Application Priority Data**

Jul. 25, 2001 (JP) 2001-021643

(51) **LOC (7) Cl.** **19-02**

(52) **U.S. Cl.** **D19/69**

(58) **Field of Search** D19/53, 65, 66,
D19/67-69, 72, 89, 99, 100; 225/6, 7, 11,
12, 19, 22, 25, 34, 35, 46, 56, 57, 77, 89;
242/588, 588.1-588.6, 590; 156/510, 327,
523, 527, 577; 15/104.93, 104.94

(56) **References Cited**

U.S. PATENT DOCUMENTS

D209,774 S	*	1/1968	Fedoruk	D19/69 X
4,591,407 A	*	5/1986	Samuelson	156/527
5,430,904 A	*	7/1995	Ono et al.	15/104.94
5,480,510 A	*	1/1996	Manusch et al.	156/577
5,512,128 A	*	4/1996	Manusch et al.	156/577

* cited by examiner

Primary Examiner—Martie K. Holtje
(74) *Attorney, Agent, or Firm*—Webb Ziesenheim Logsdon Orkin & Hanson P.C.

(57) **CLAIM**

The ornamental design of a replacement cassette tape for tape transfer device, as shown and described.

DESCRIPTION

FIG. 1 is a Front View of our replacement cassette tape for tape transfer device;

FIG. 2 is a Rear View thereof;

FIG. 3 is a Left Side View thereof;

FIG. 4 is a Right Side View thereof;

FIG. 5 is a Top Plan View thereof;

FIG. 6 is a Bottom View thereof;

FIG. 7 is a section taken in the direction of arrows 7—7 in FIG. 5;

FIG. 8 is a section taken in the direction of arrows 8—8 in FIG. 1;

FIG. 9 is a section taken in the direction of arrows 9—9 in FIG. 1; and,

FIG. 10 is a front elevation view showing the claimed design in place within a holder, which has been depicted by means of broken lines for illustrative purposes only and forms no part of the claimed design.

1 Claim, 10 Drawing Sheets

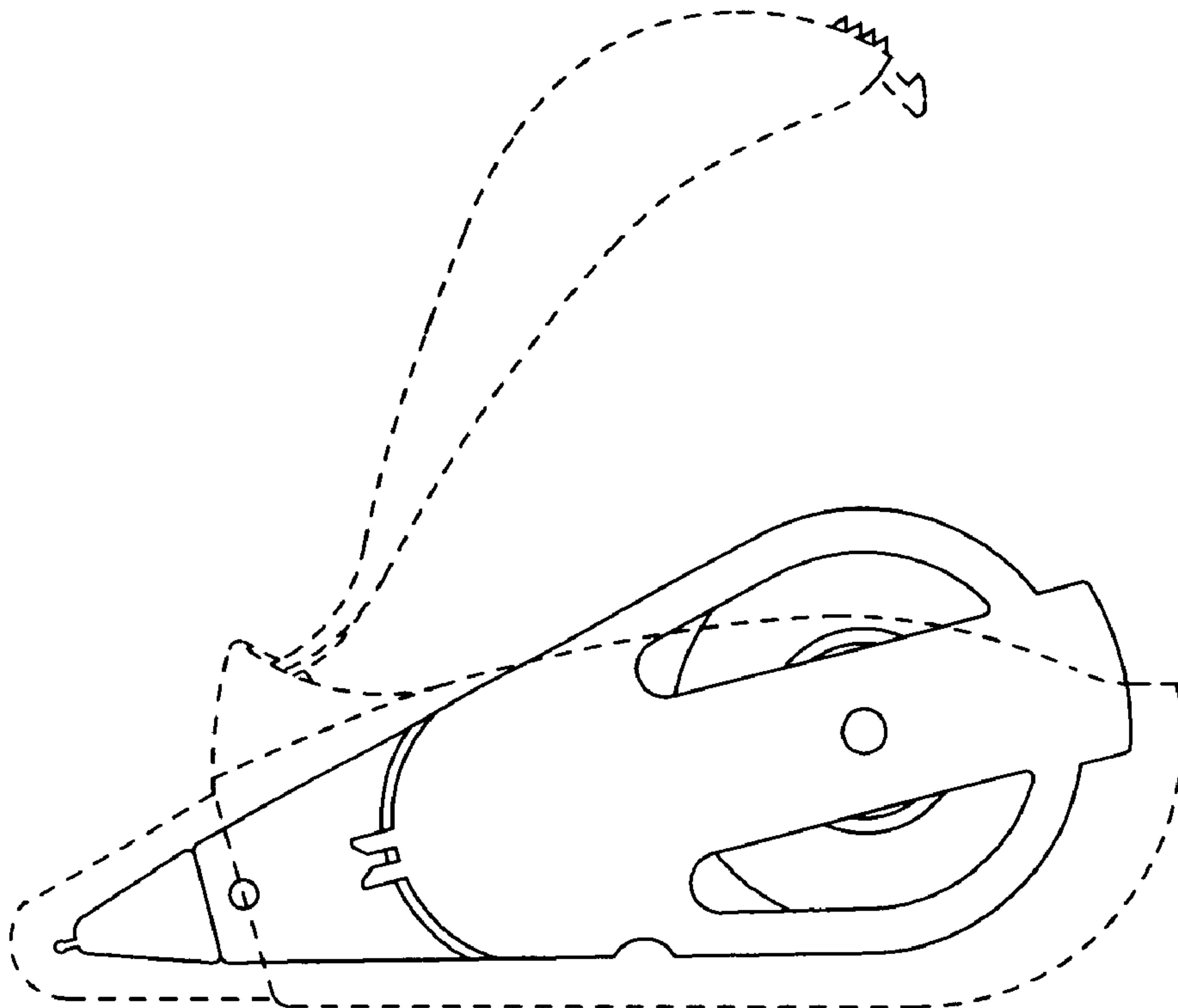


Fig. 1

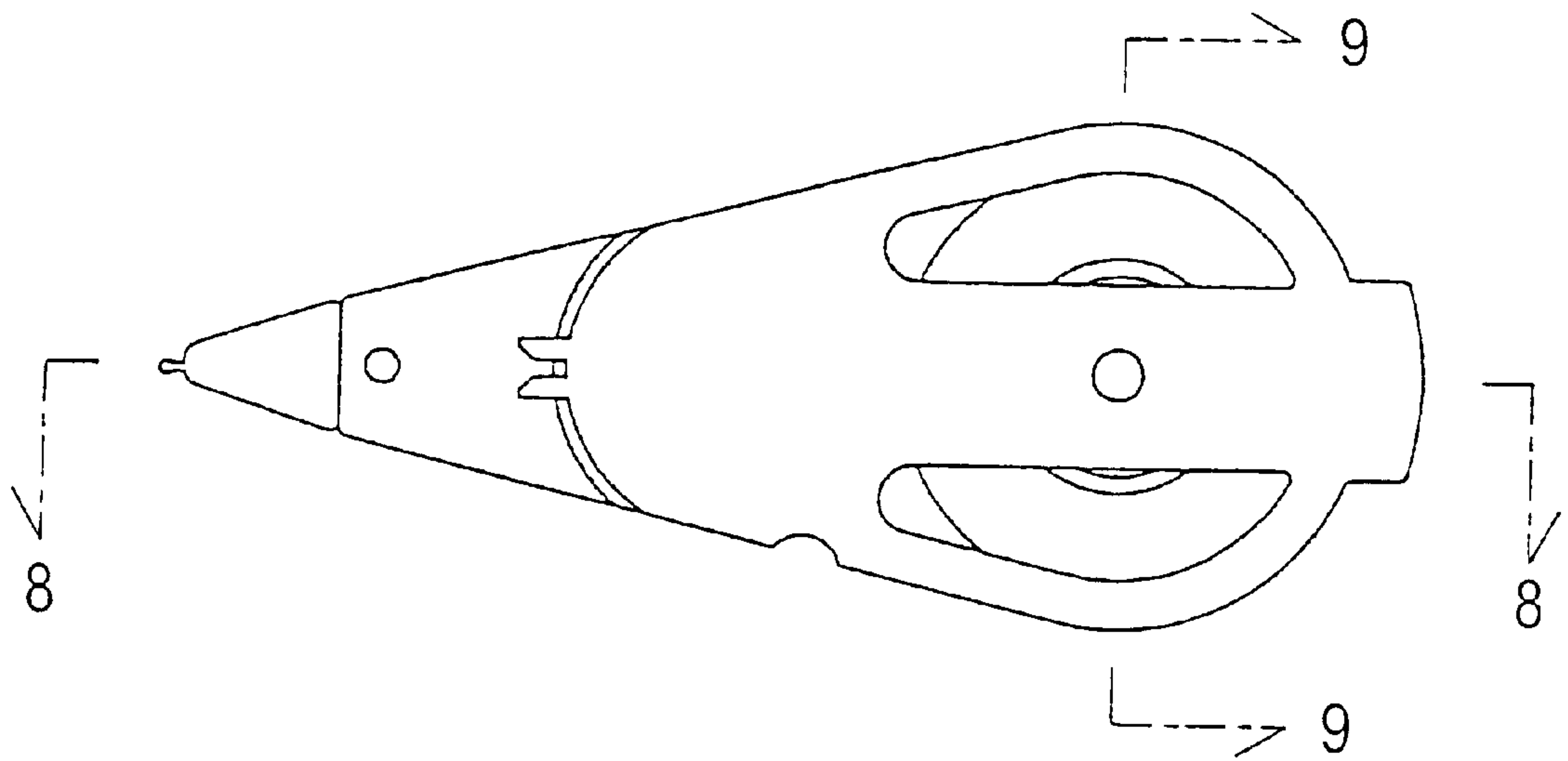


Fig. 2

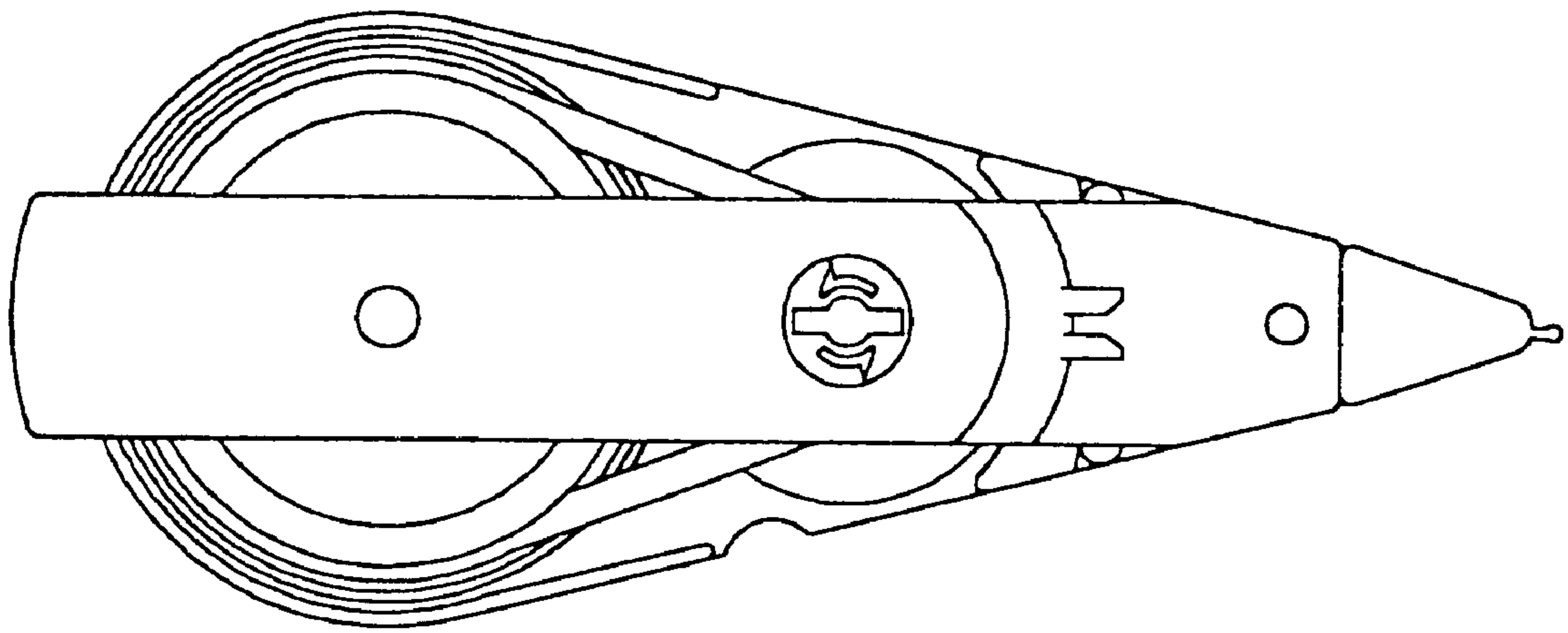


Fig. 3

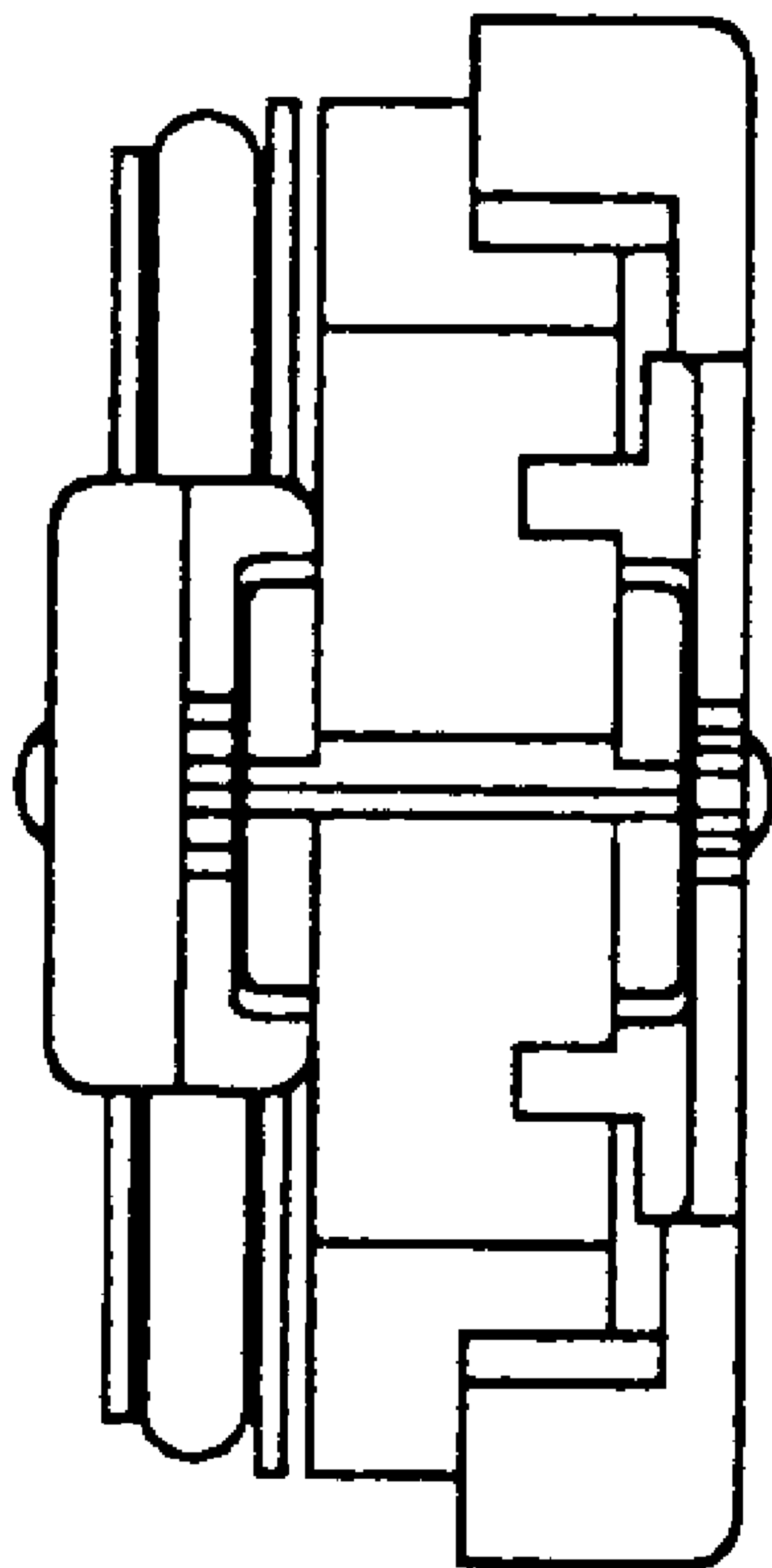


Fig. 4

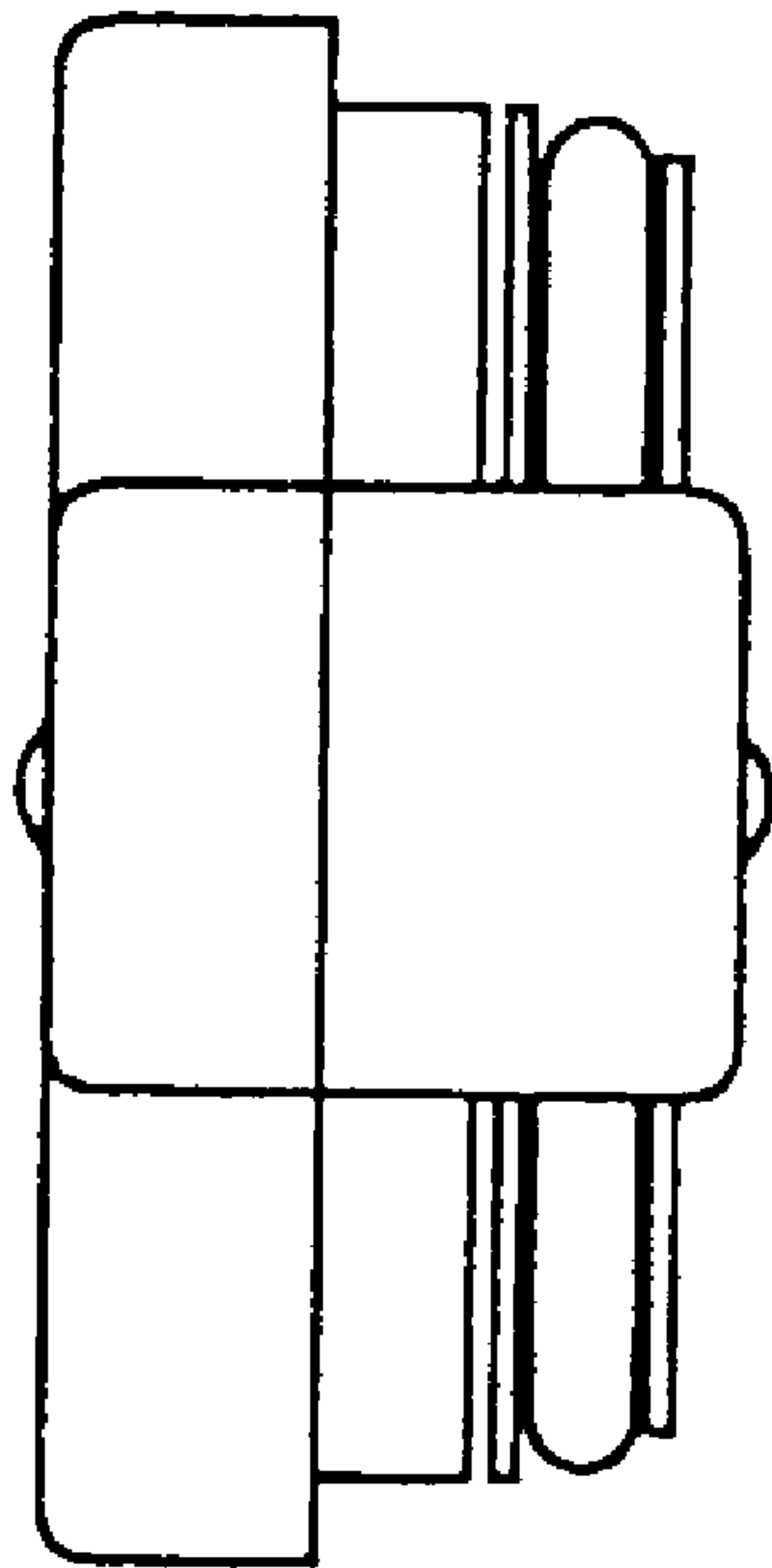


Fig. 5

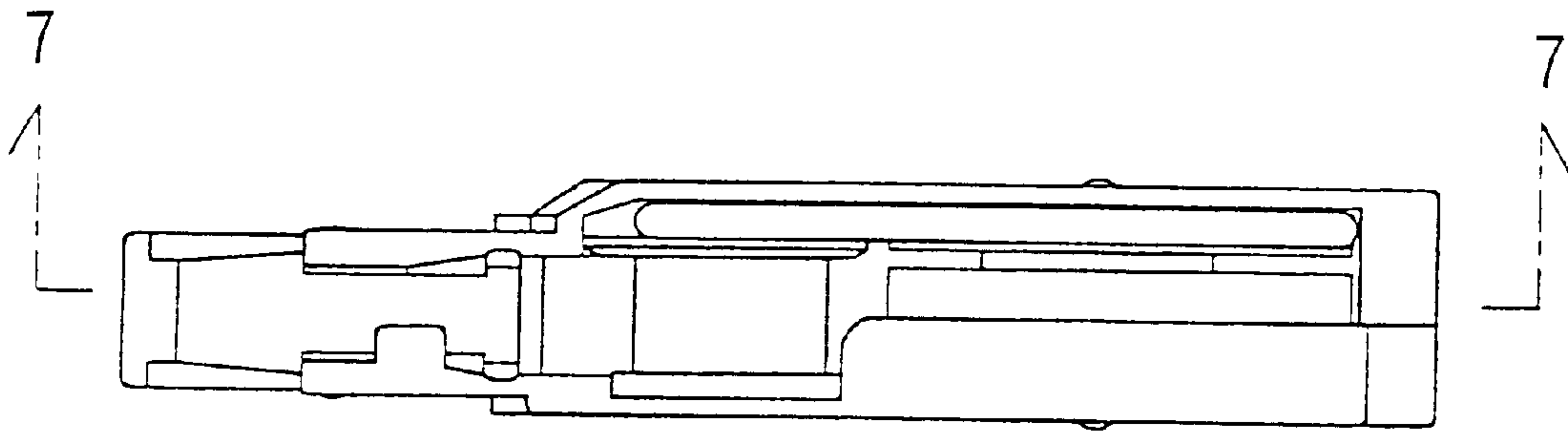


Fig. 6

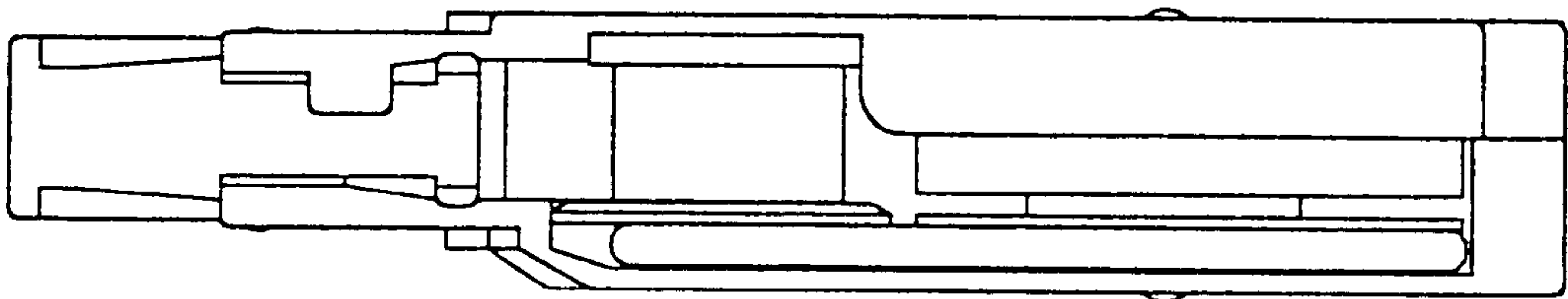


Fig. 7

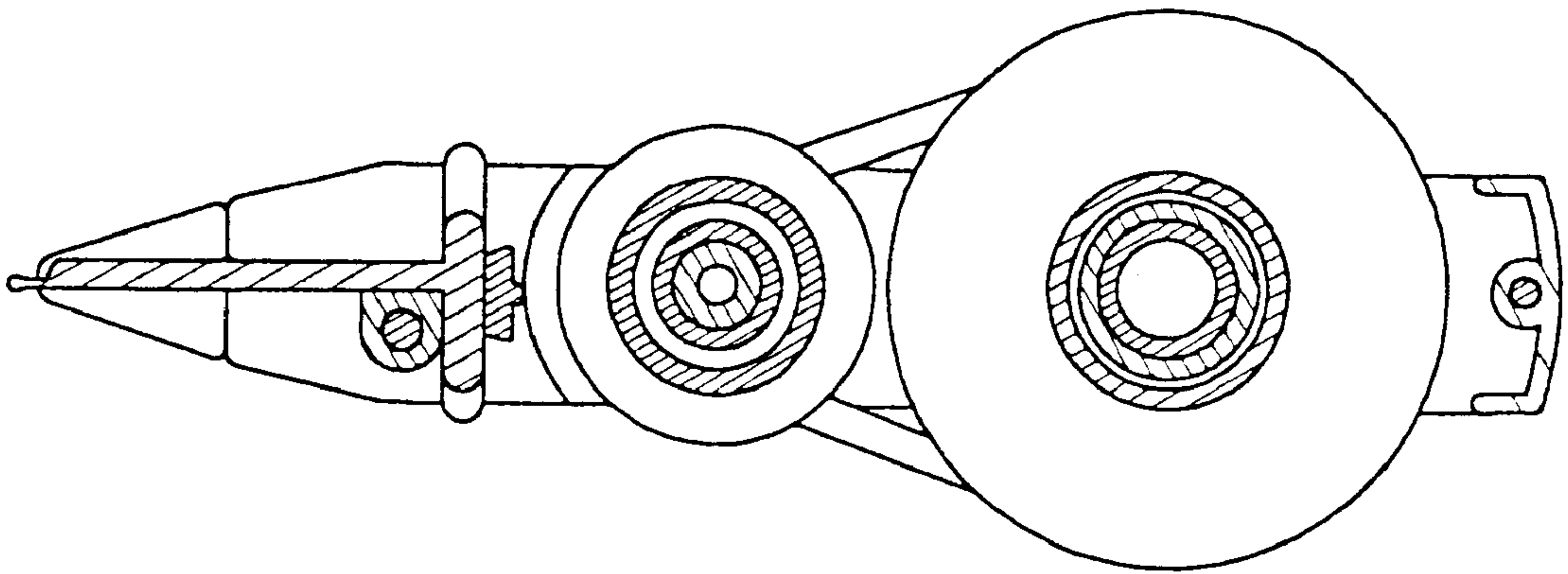


Fig. 8

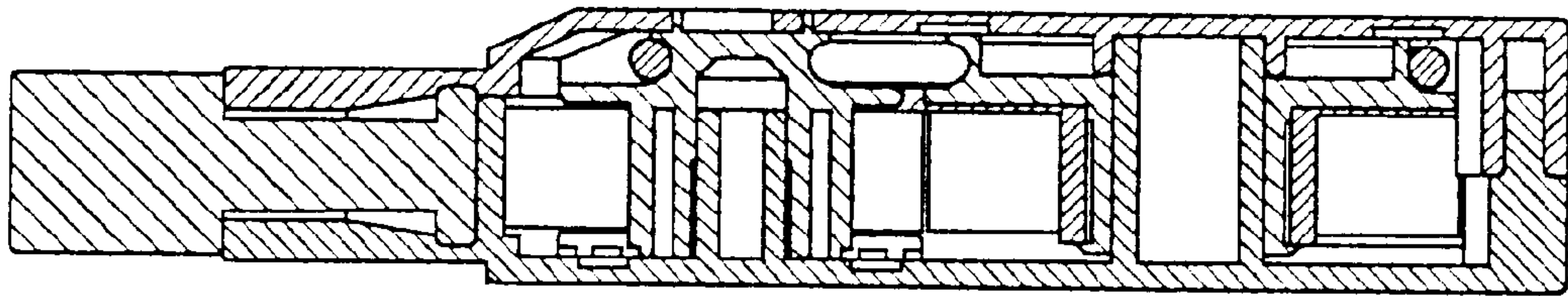
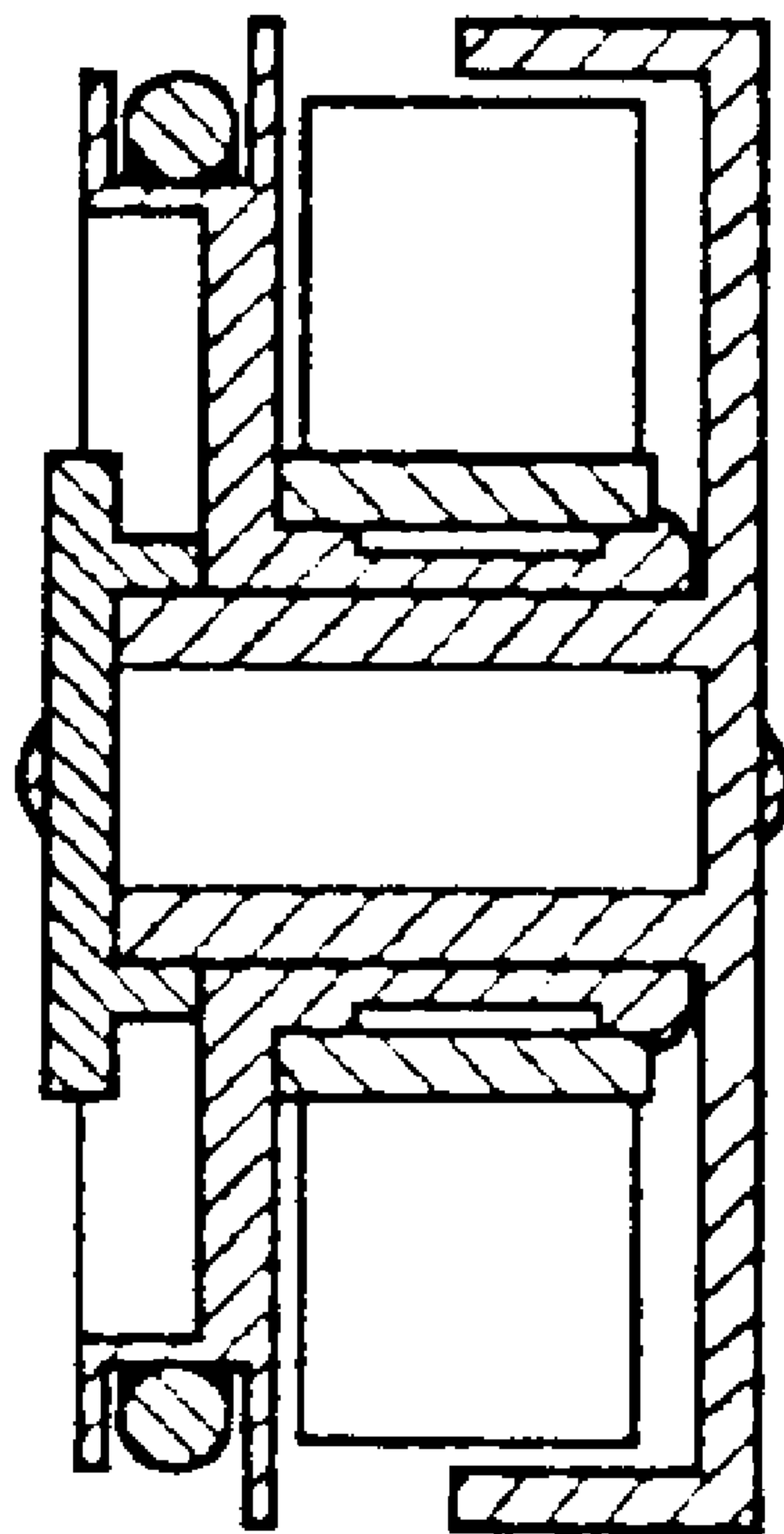


Fig. 9



F i g . 1 0

