



US00D483408S

(12) **United States Design Patent**  
**Smiskol et al.**

(10) **Patent No.:** **US D483,408 S**

(45) **Date of Patent:** **\*\* Dec. 9, 2003**

(54) **SET OF NOVELTY GOLF CLUB PENS**

(76) Inventors: **Craig Smiskol**, 113 N. Kenilworth Ave., Mount Prospect, IL (US) 60056;  
**Robert J. Del Principe**, 501 E. Prospect Ave., Unit 1F, Mount Prospect, IL (US) 60056

(\*\*) Term: **14 Years**

(21) Appl. No.: **29/173,756**

(22) Filed: **Jan. 6, 2003**

(51) **LOC (7) Cl.** ..... **19-06**

(52) **U.S. Cl.** ..... **D19/42; D19/36; D19/43; D19/46; D21/735**

(58) **Field of Search** ..... **D21/324, 733-753, D21/756; D19/35, 36, 41-51, 53-58, 81-85; 401/6, 7, 88, 131, 52, 98, 195, 202, 209, 213, 243-247, 262; 40/358; 473/302, 249**

(56) **References Cited**

**U.S. PATENT DOCUMENTS**

1,435,088	A	*	11/1922	Smith	.....	473/302
D83,700	S	*	3/1931	Schmermund	.....	D19/42
D87,308	S	*	7/1932	Malcolm	.....	D19/42
D264,744	S	*	6/1982	Mills	.....	D21/736
D270,899	S	*	10/1983	Huang	.....	D10/2
D275,744	S	*	10/1984	McJunkin et al.	.....	D11/157
4,809,977	A	*	3/1989	Doran et al.	.....	473/249
D368,036	S	*	3/1996	Tronolone, Jr.	.....	D10/2
D371,818	S	*	7/1996	Stolz	.....	D21/756
5,619,814	A	*	4/1997	Herrndobler	.....	40/358
D393,280	S	*	4/1998	Cheng	.....	D19/42
D413,358	S	*	8/1999	McDonald et al.	.....	D21/324
D438,254	S	*	2/2001	Enger et al.	.....	D19/82
D438,922	S	*	3/2001	Asabuki	.....	D21/733
6,241,413	B1	*	6/2001	Puck et al.	.....	401/131
D449,866	S	*	10/2001	Miller	.....	D21/747

**OTHER PUBLICATIONS**

Photocopies of a set of golf club pens.\*

\* cited by examiner

*Primary Examiner*—Martie K. Holtje

(74) *Attorney, Agent, or Firm*—Ryan Kromholz & Manion, S.C.

(57) **CLAIM**

The ornamental design for a set of novelty golf club pens, as shown and described.

**DESCRIPTION**

FIG. 1 is a perspective view of the first pen of a set of novelty golf club pens (iron) with the cap member in place; FIG. 2 is a perspective view of FIG. 1 in an exploded condition;

FIG. 3 is a front elevational view of FIG. 1;

FIG. 4 is a rear elevational view of FIG. 1;

FIG. 5 is a left side elevational view of FIG. 1;

FIG. 6 is a right side elevational view of FIG. 1;

FIG. 7 is a bottom plan view of FIG. 1;

FIG. 8 is a top plan view of FIG. 1;

FIG. 9 is a perspective view of the second pen of a set of novelty golf club pens (putter) with the cap member in place;

FIG. 10 is a perspective view of FIG. 9 in an exploded condition;

FIG. 11 is a front elevational view of FIG. 9;

FIG. 12 is a rear elevational view of FIG. 9;

FIG. 13 is a left side elevational view of FIG. 9;

FIG. 14 is a right side elevational view of FIG. 9;

FIG. 15 is a bottom plan view of FIG. 9;

FIG. 16 is a top plan view of FIG. 9;

FIG. 17 is a perspective view of the third pen of a set of novelty golf club pens (driver) with the cap member in place;

FIG. 18 is a perspective view of FIG. 17 in an exploded condition;

FIG. 19 is a front elevational view of FIG. 17;

FIG. 20 is a rear elevational view of FIG. 17;

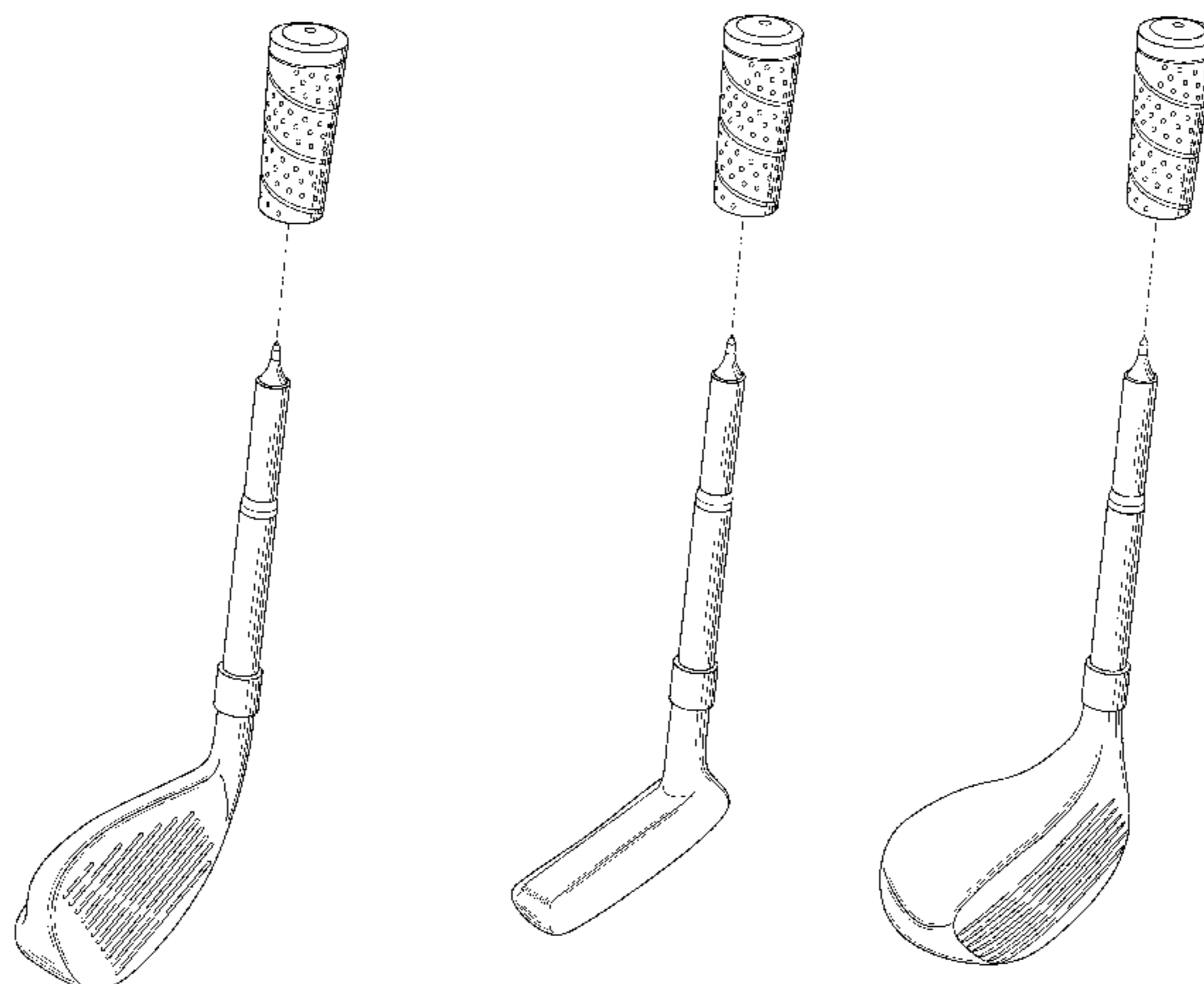
FIG. 21 is a left side elevational view of FIG. 17;

FIG. 22 is a right side elevational view of FIG. 17;

FIG. 23 is a bottom plan view of FIG. 17; and,

FIG. 24 is a top plan view of FIG. 17.

**1 Claim, 15 Drawing Sheets**



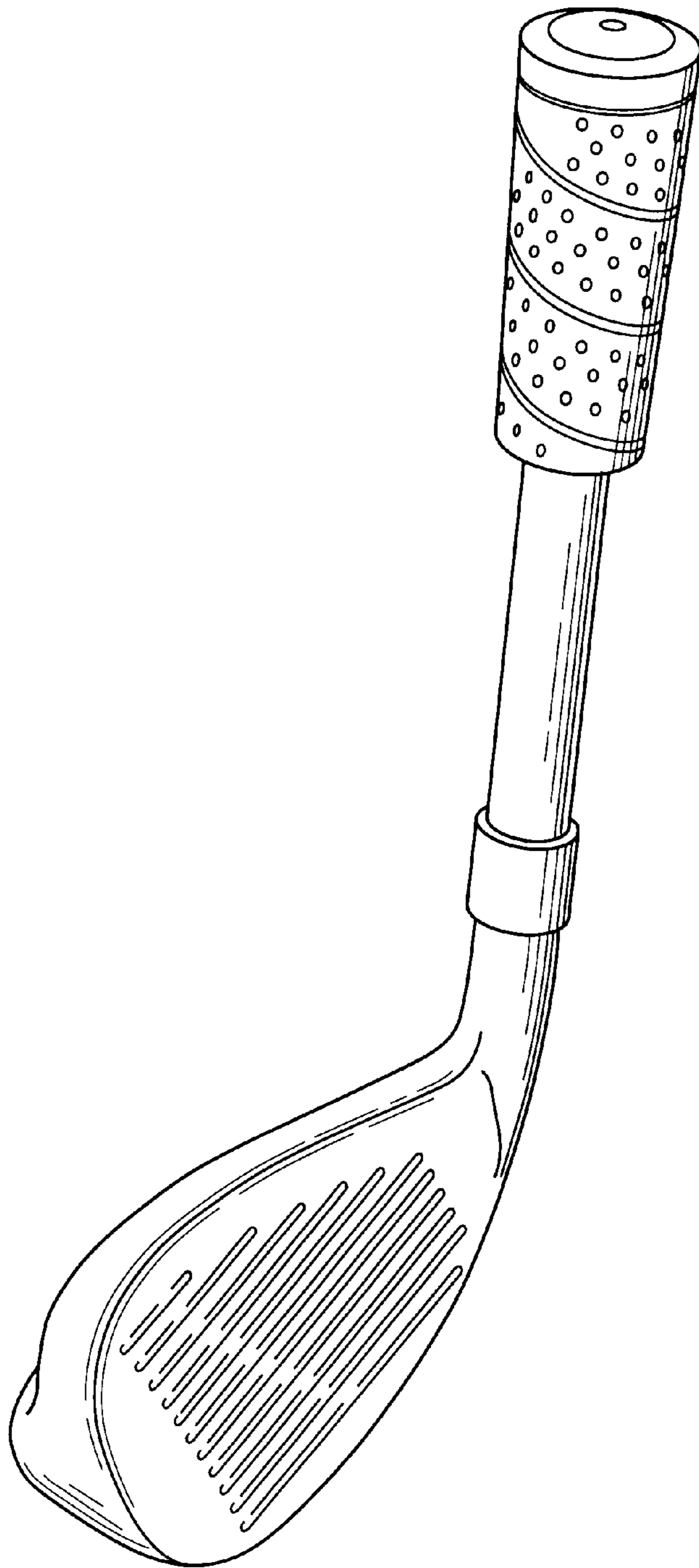


Fig. 1

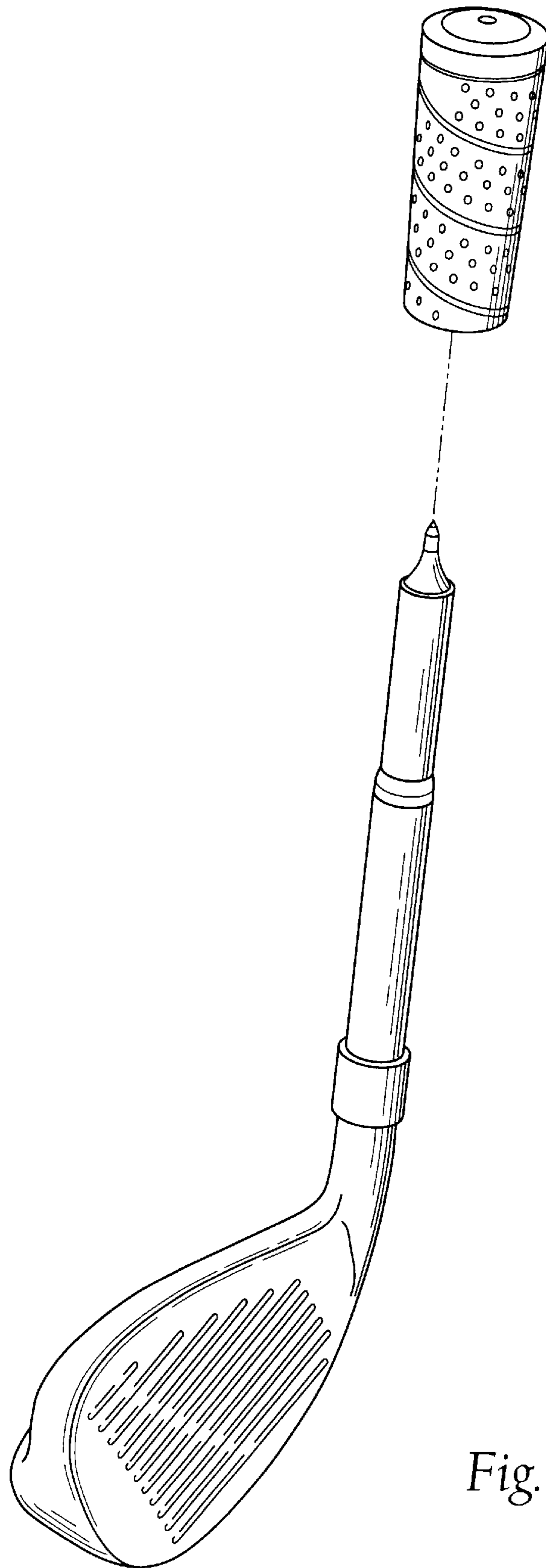


Fig. 2

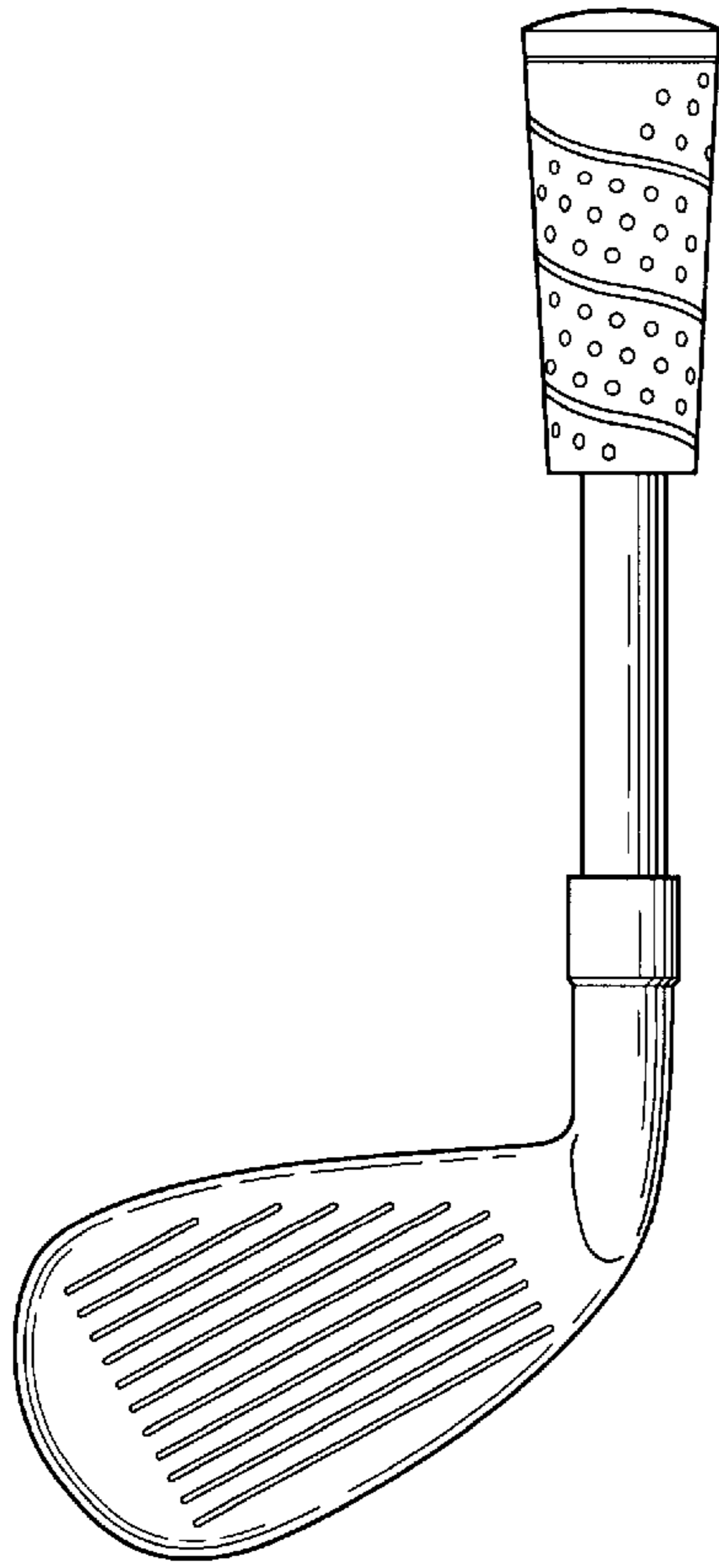


Fig. 3

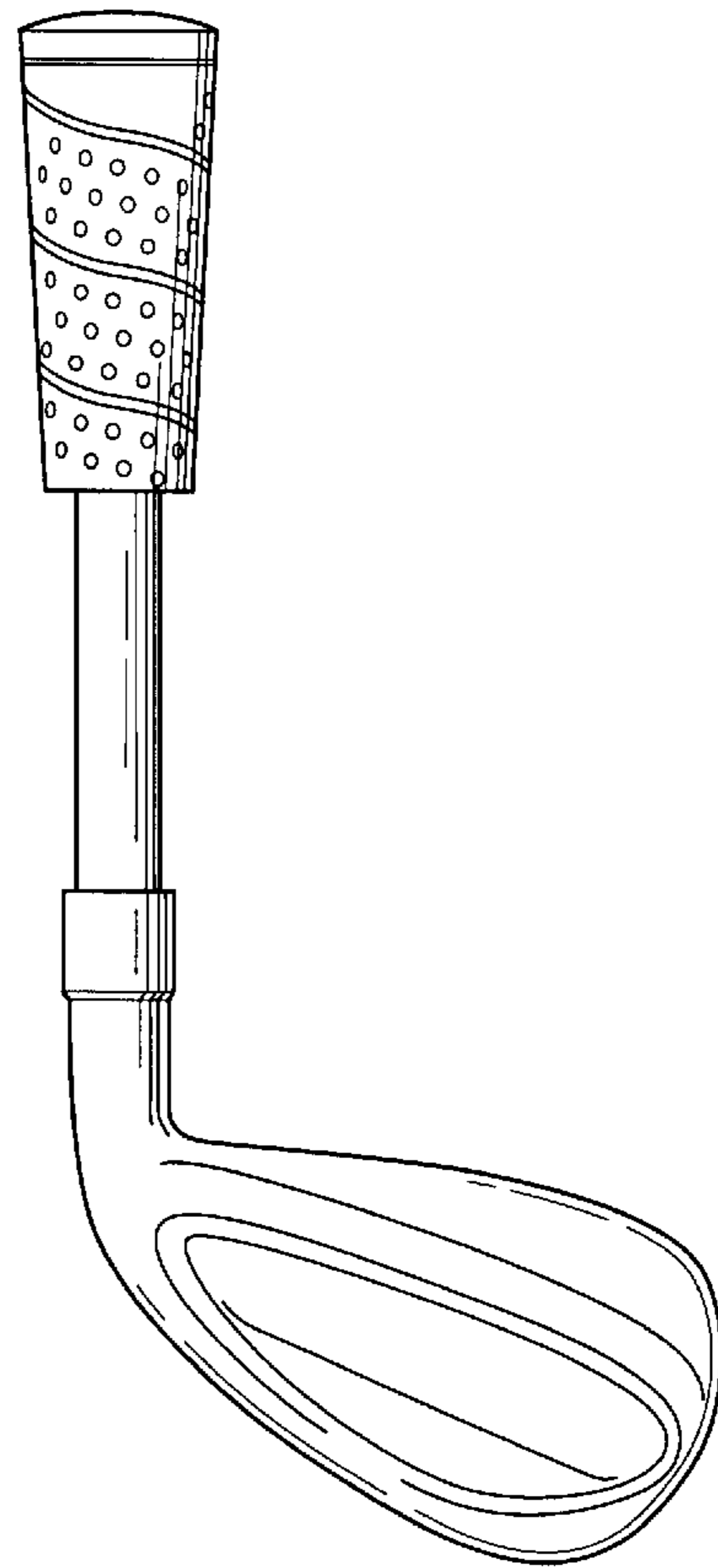
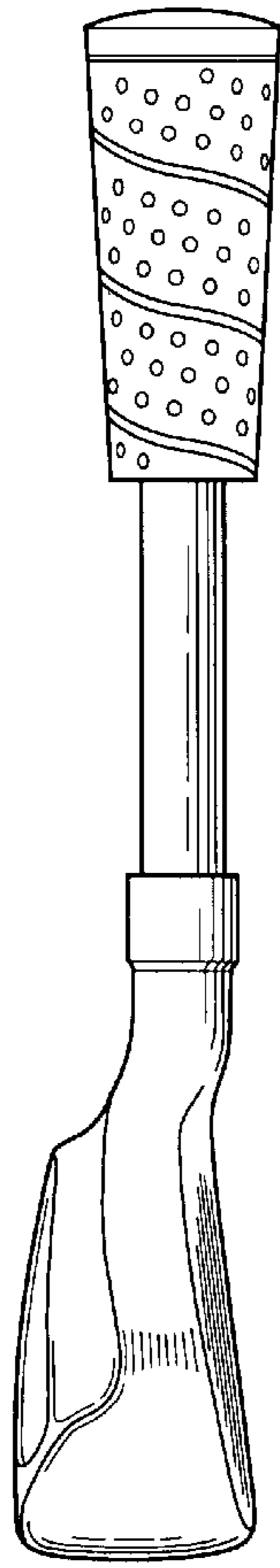
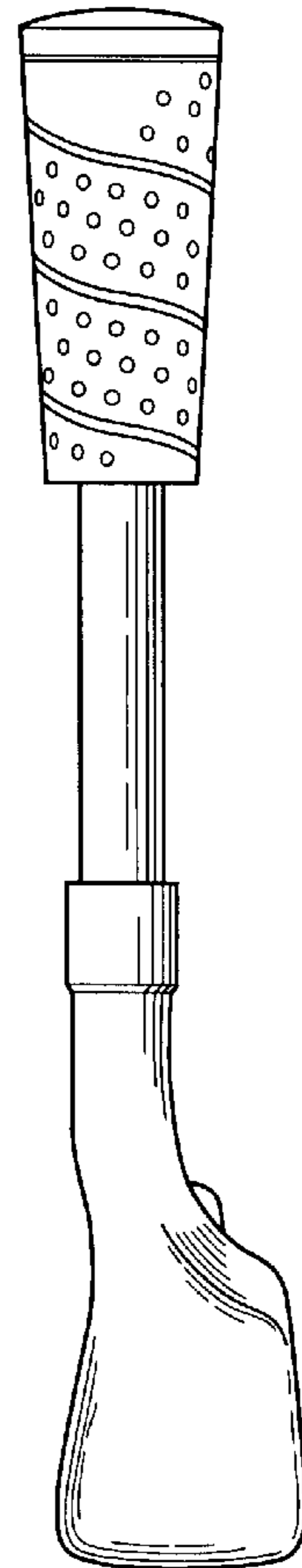


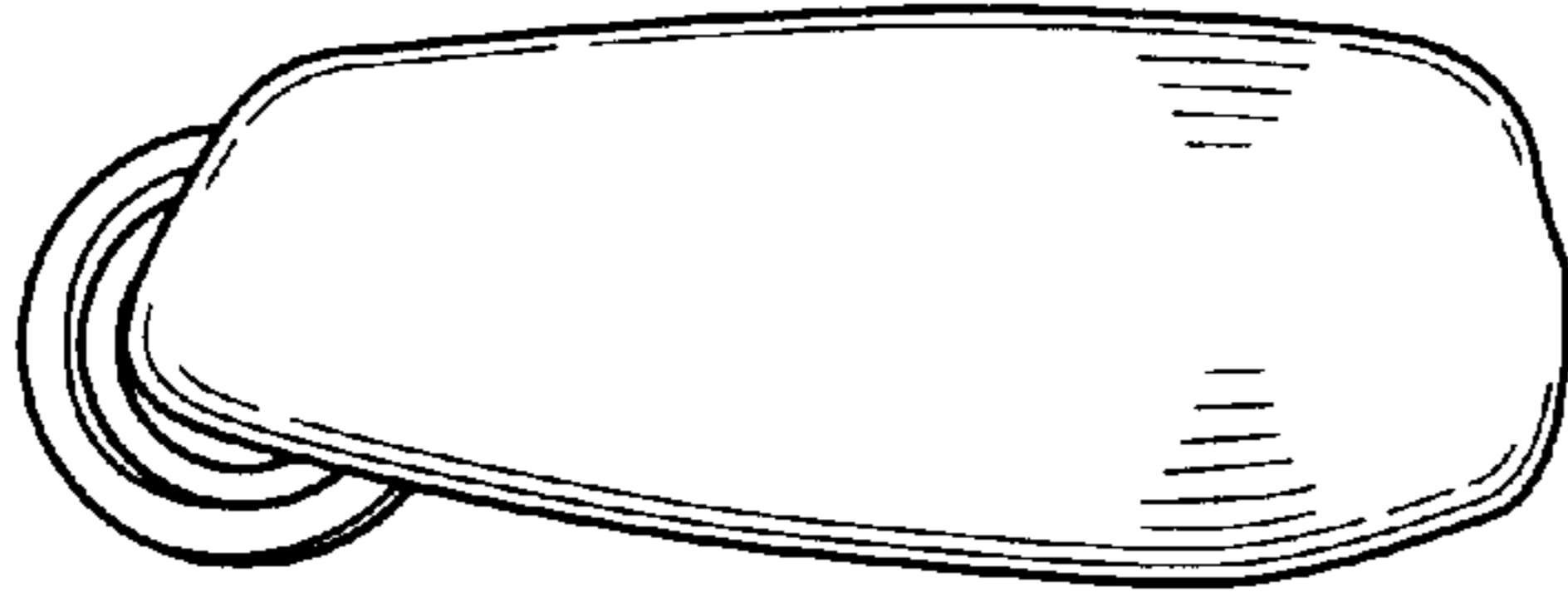
Fig. 4



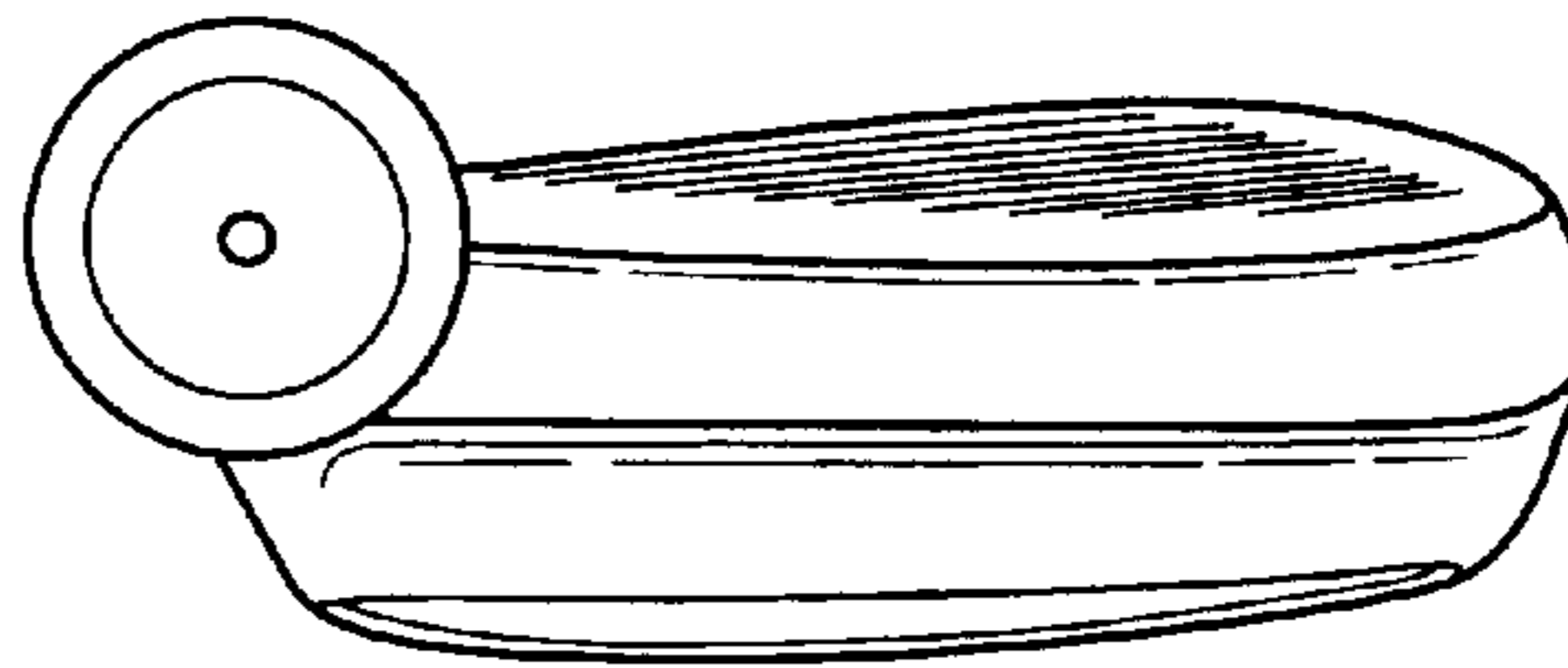
*Fig. 5*



*Fig. 6*



*Fig. 7*



*Fig. 8*

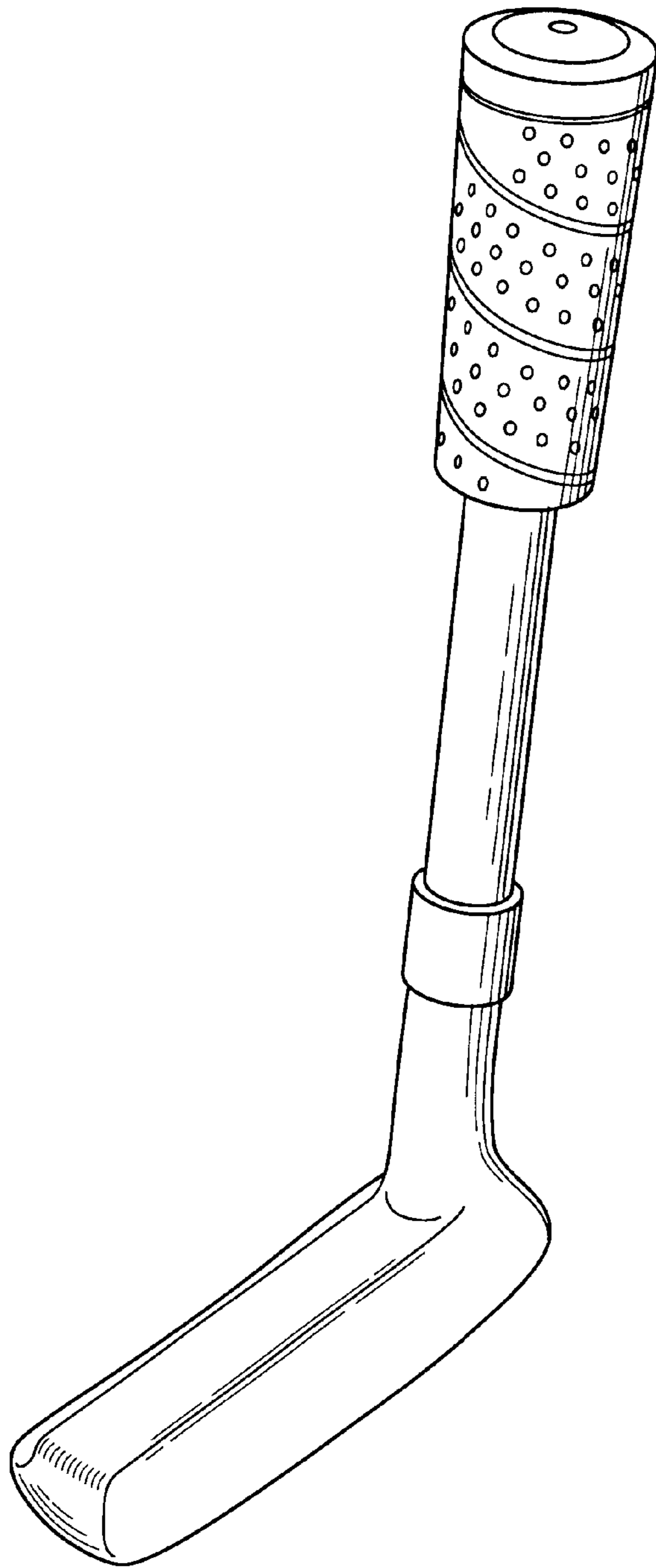


Fig. 9

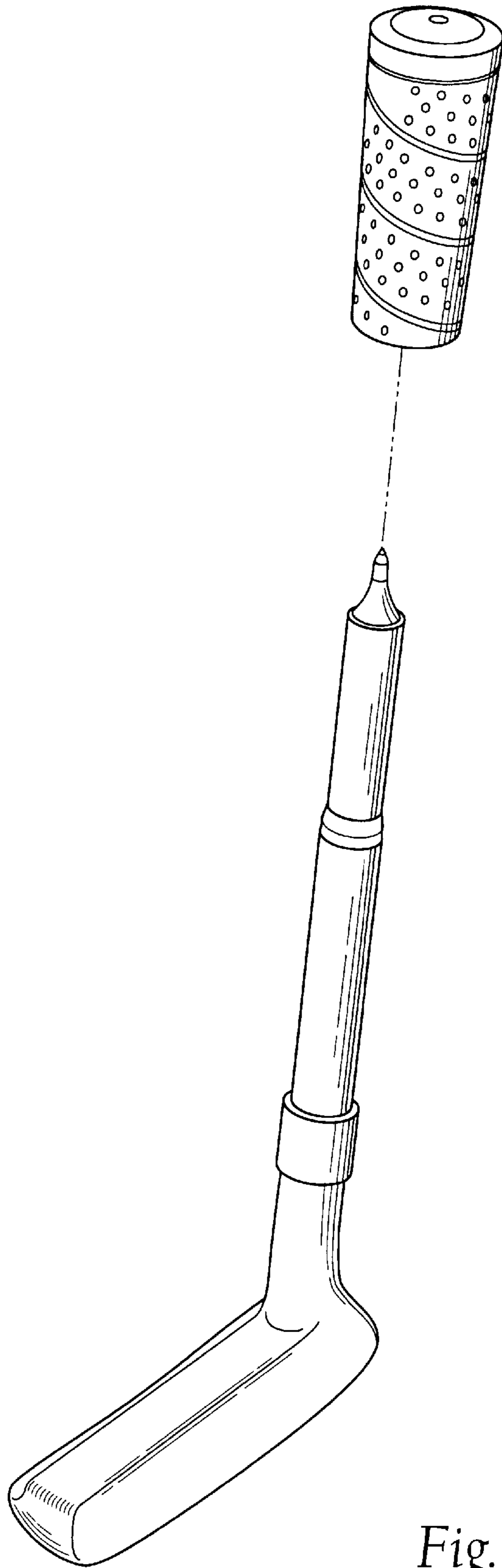
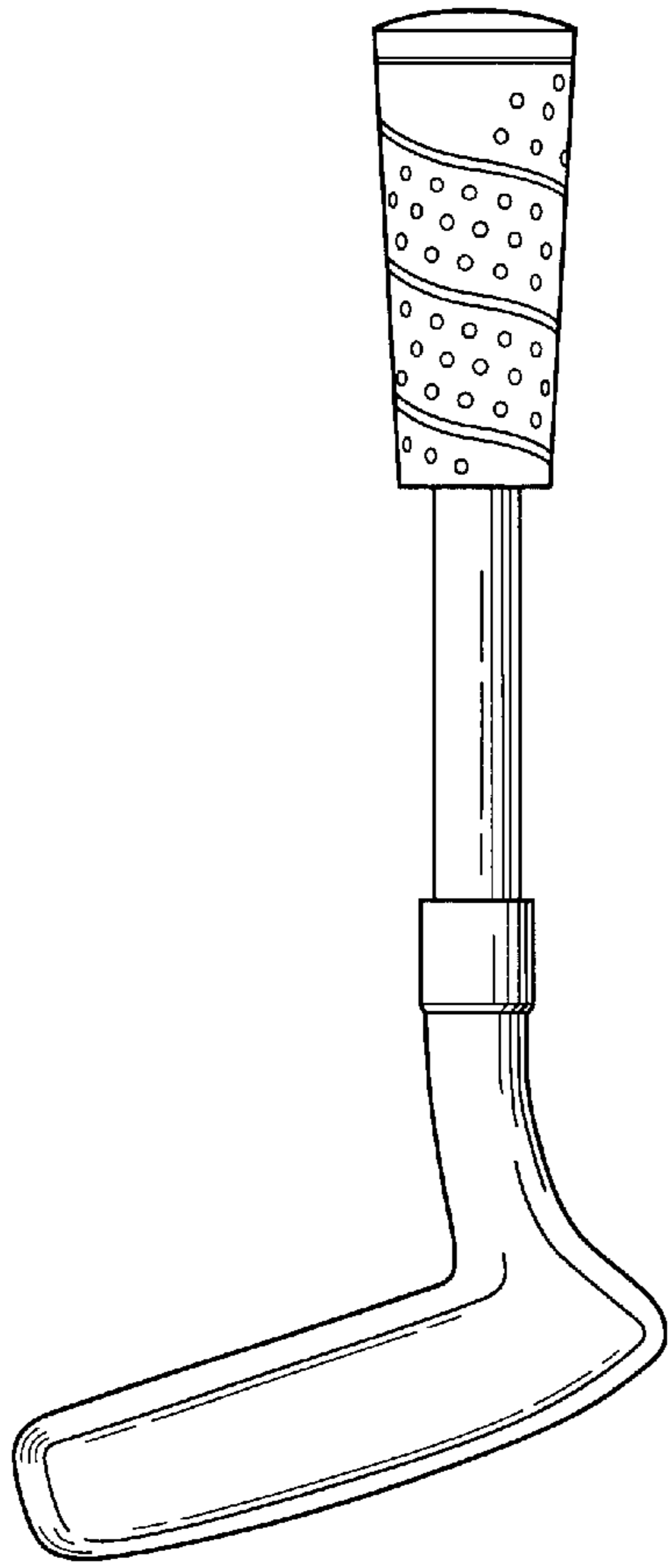
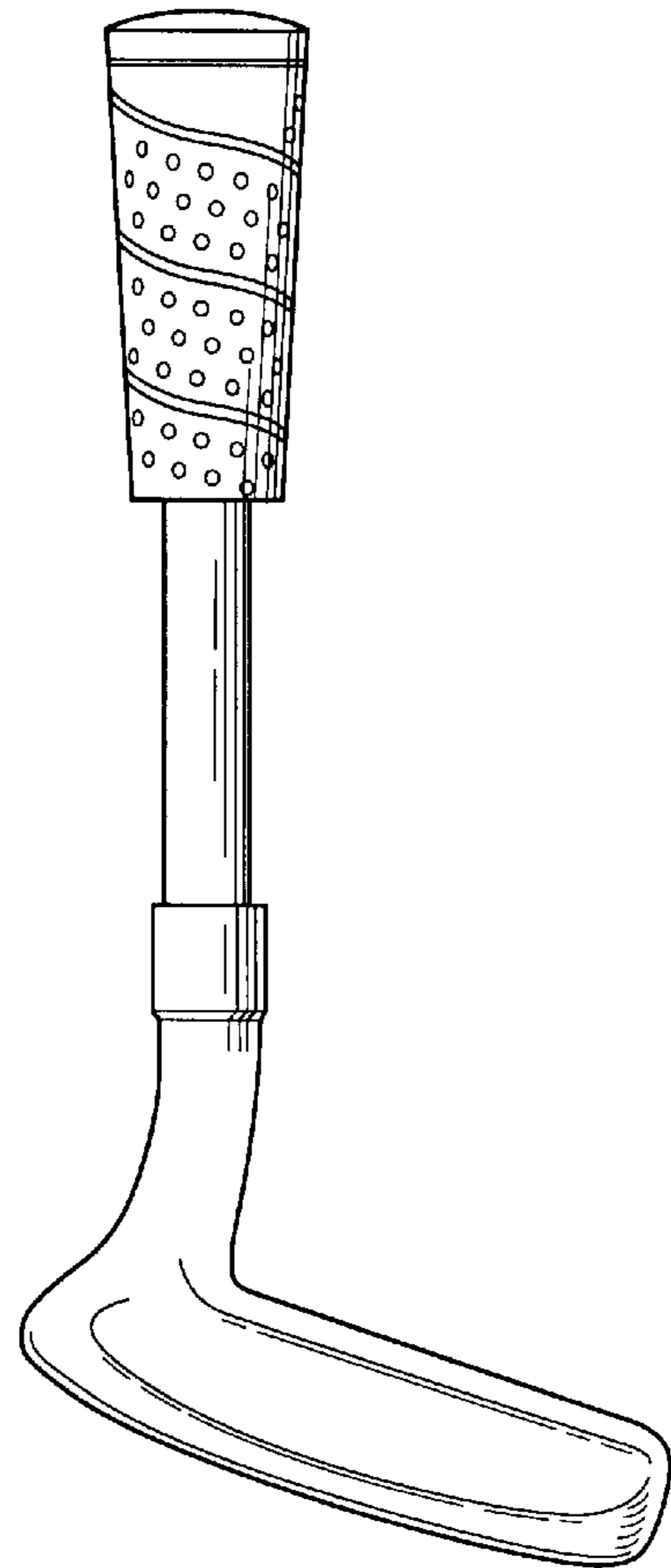


Fig. 10

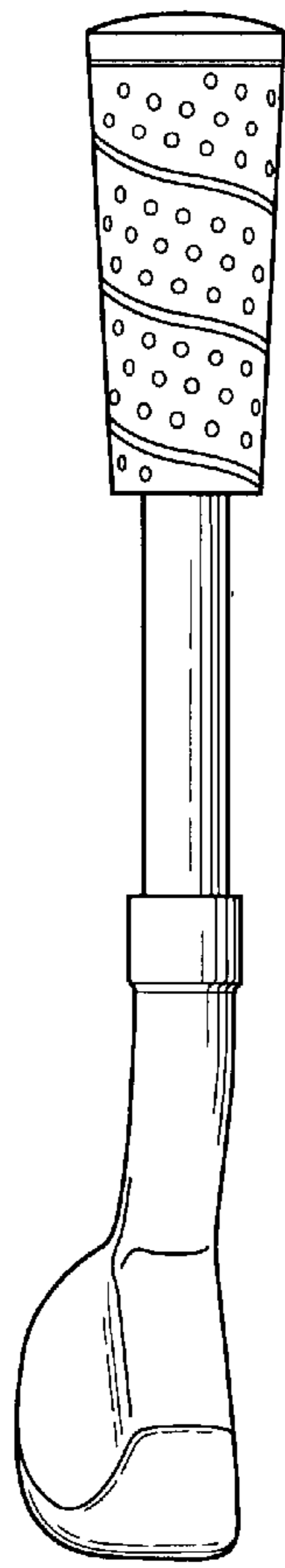




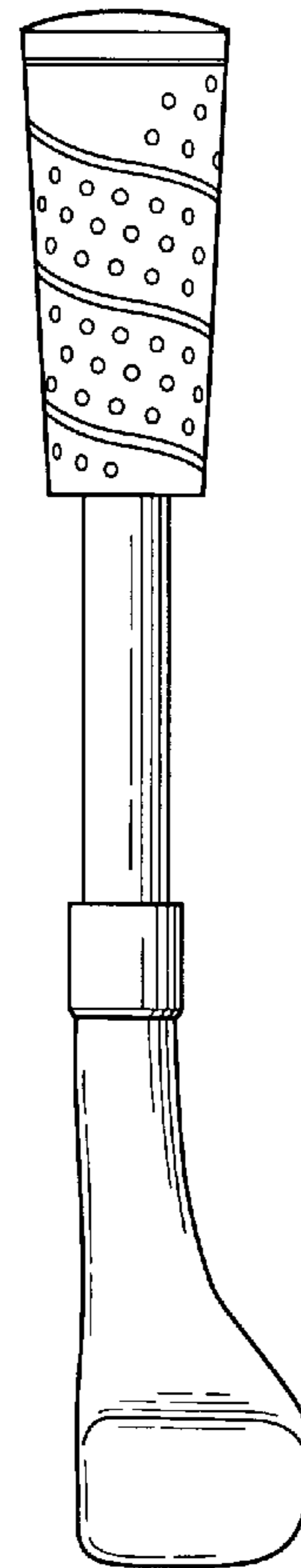
*Fig. 11*



*Fig. 12*



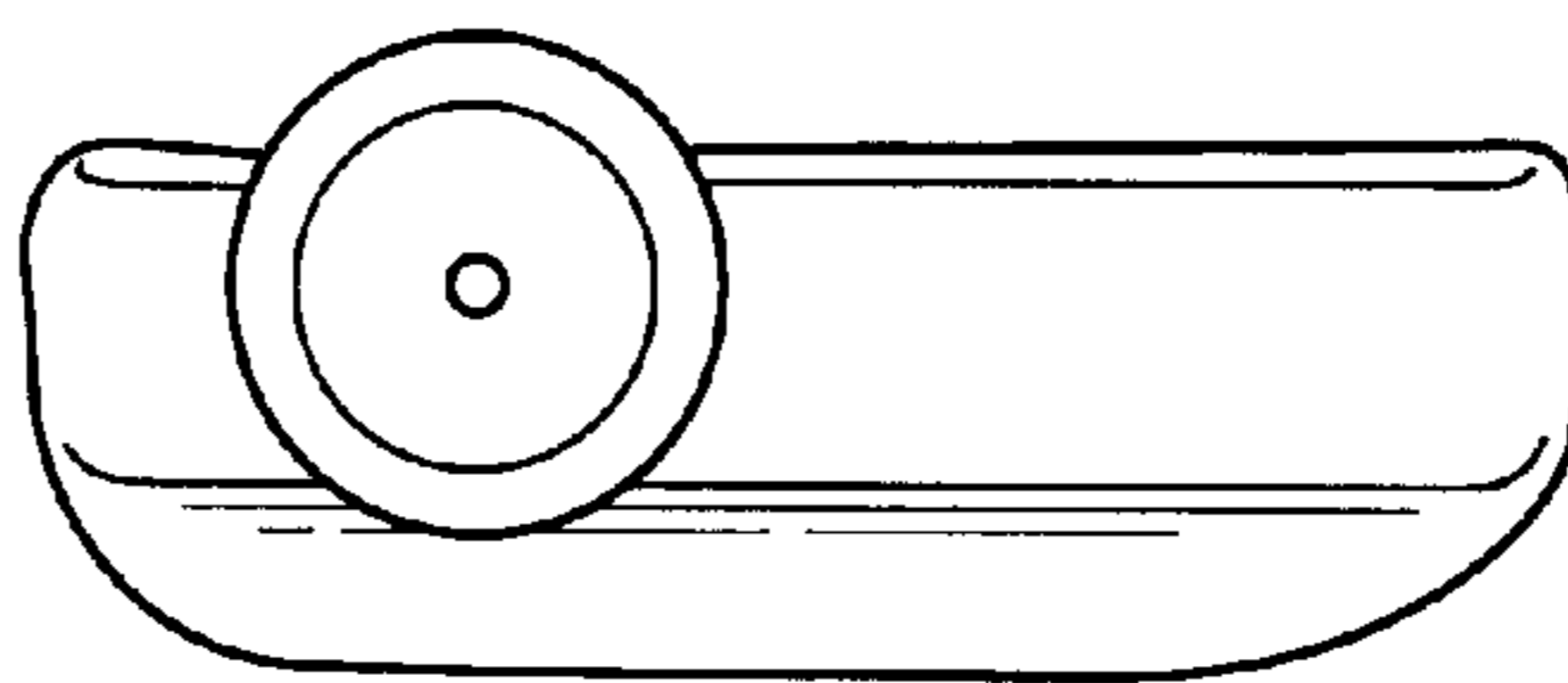
*Fig. 13*



*Fig. 14*



*Fig. 15*



*Fig. 16*

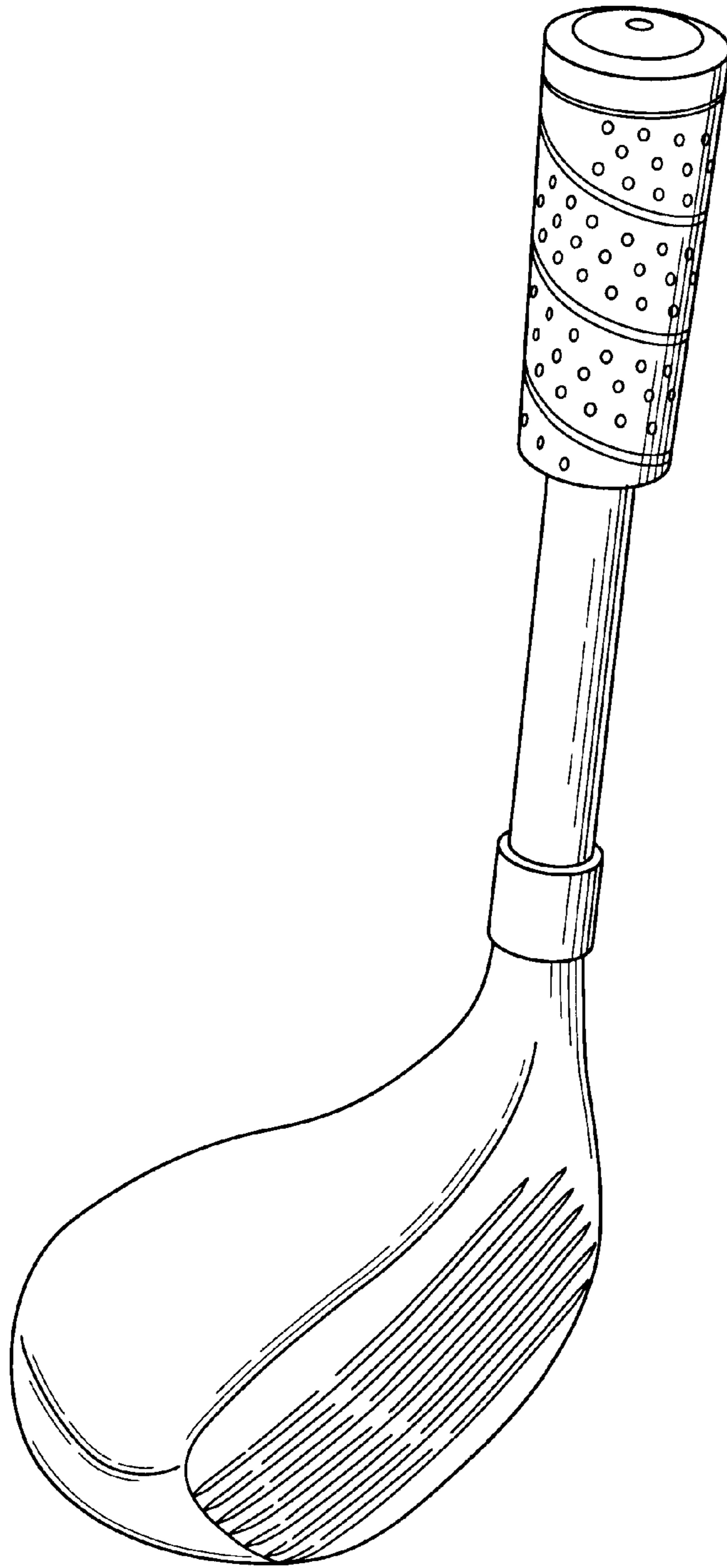


Fig. 17

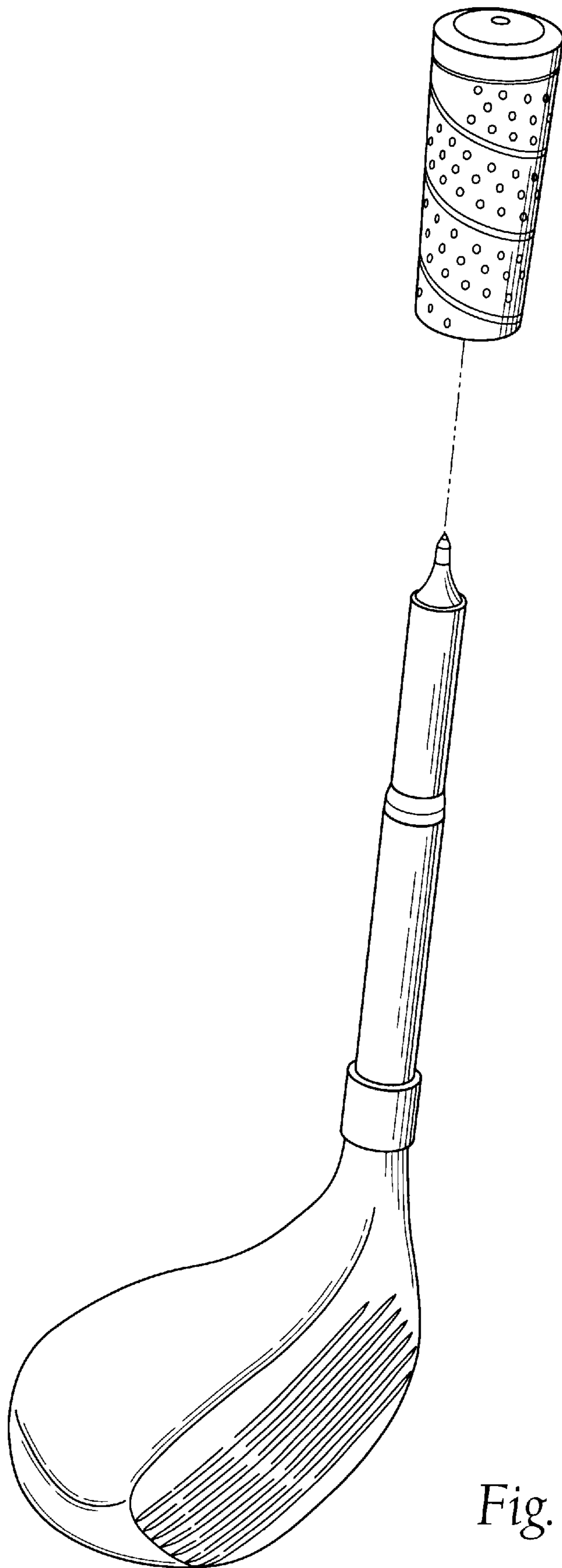
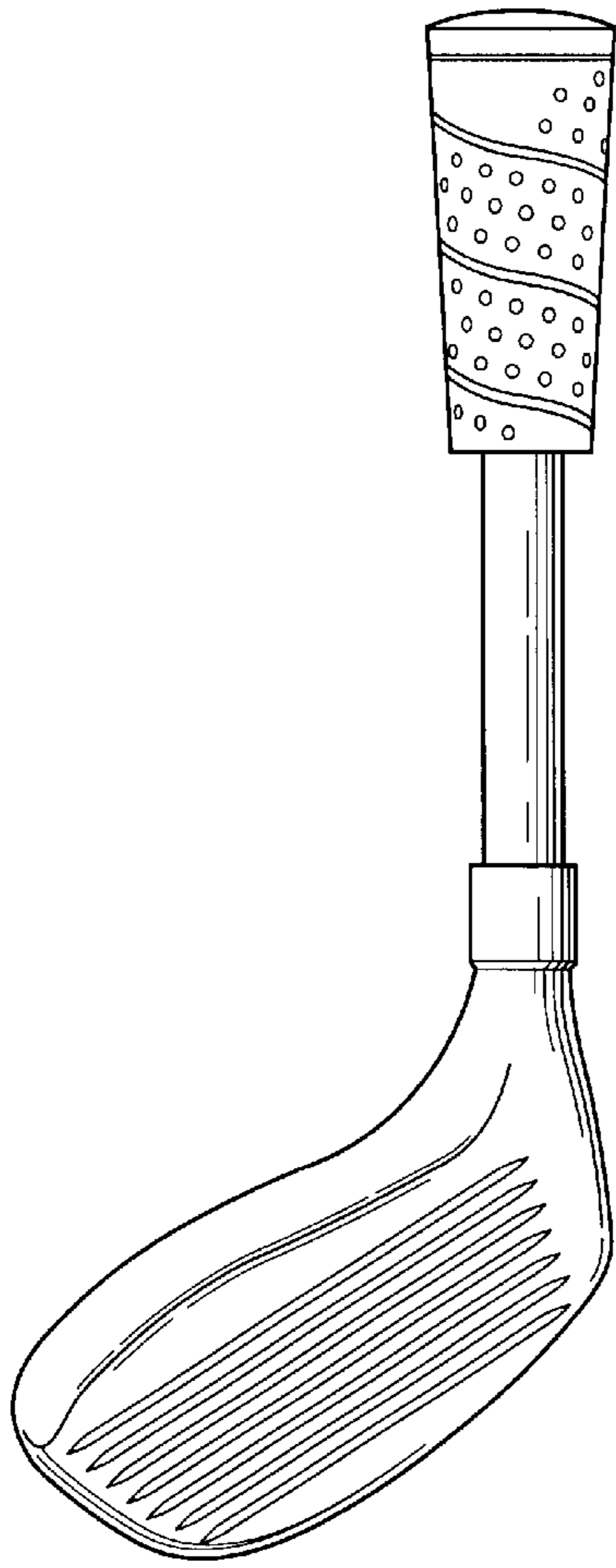
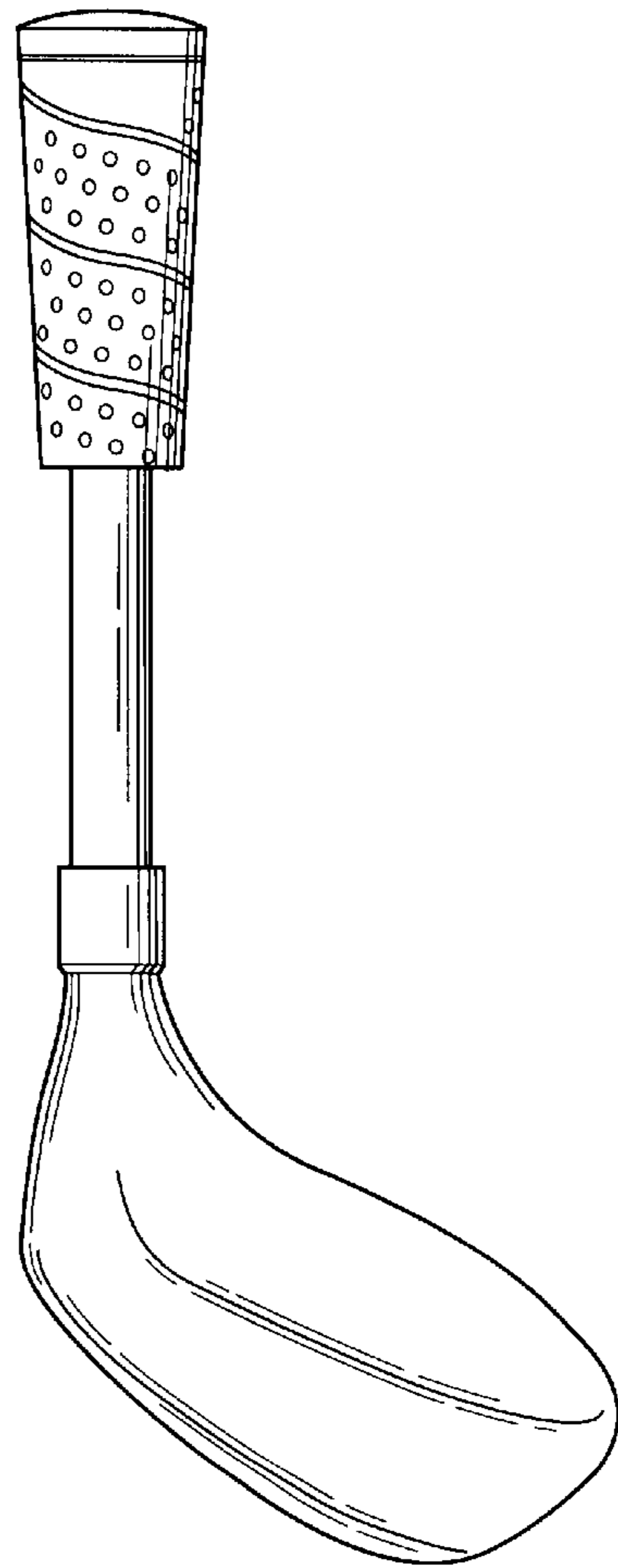


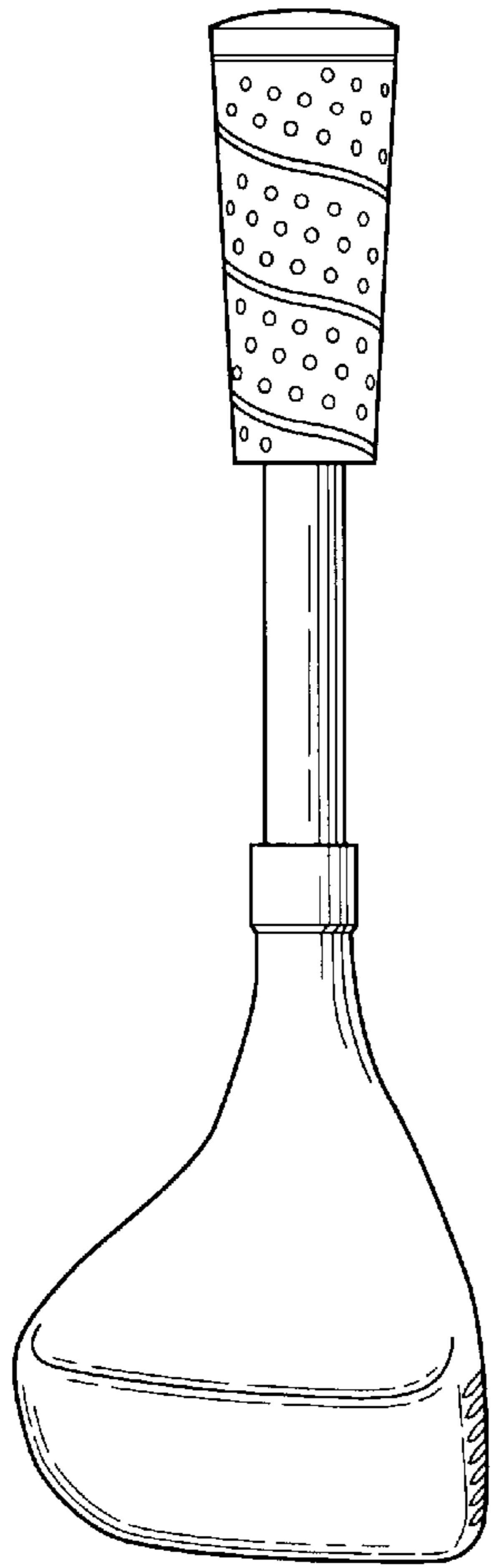
Fig. 18



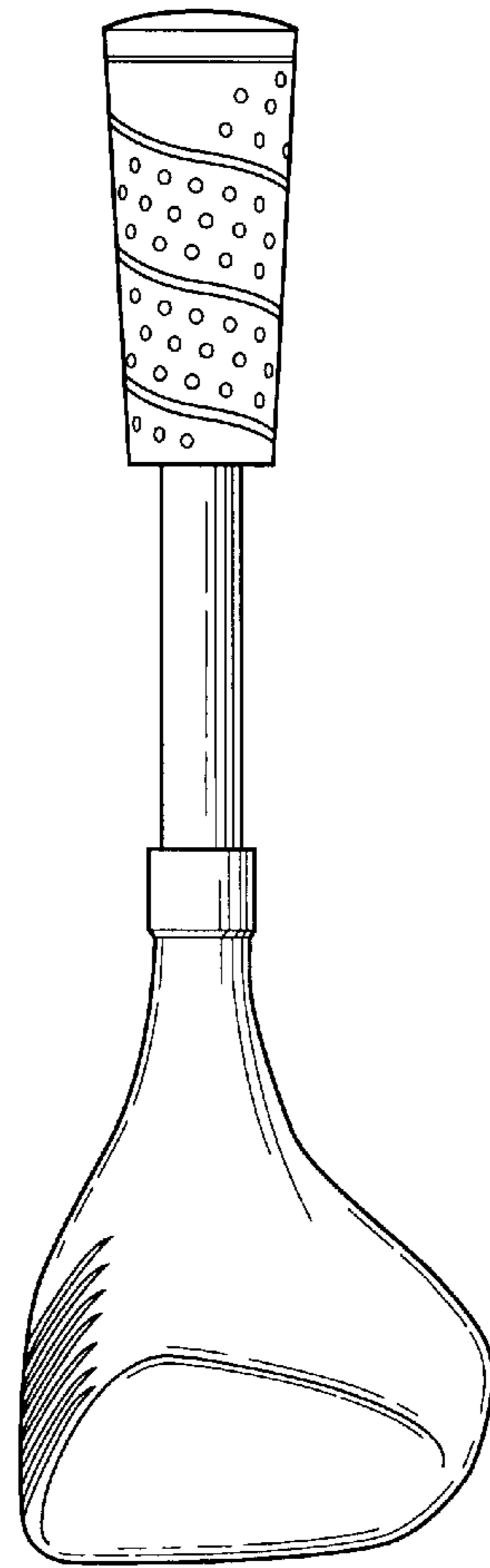
*Fig. 19*



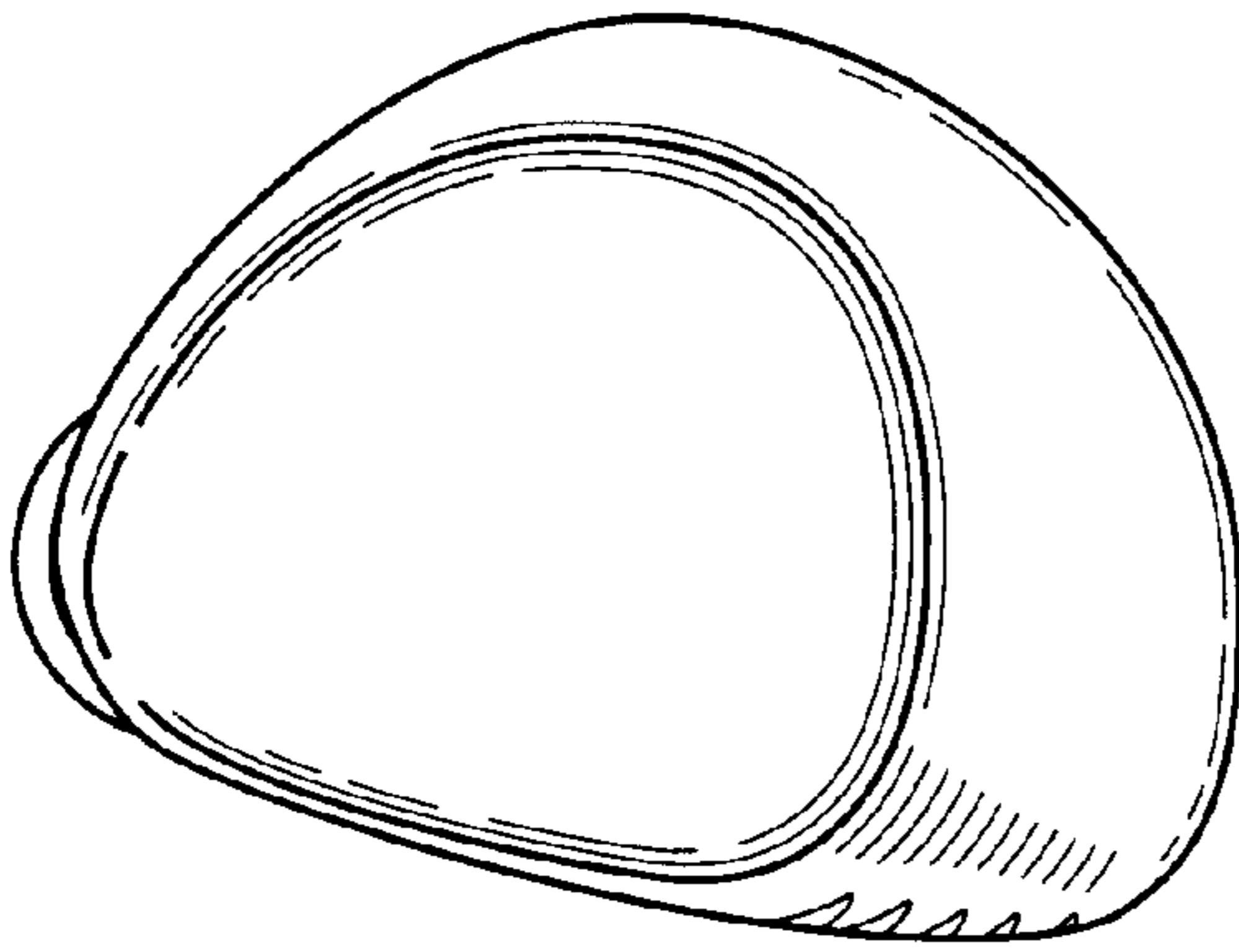
*Fig. 20*



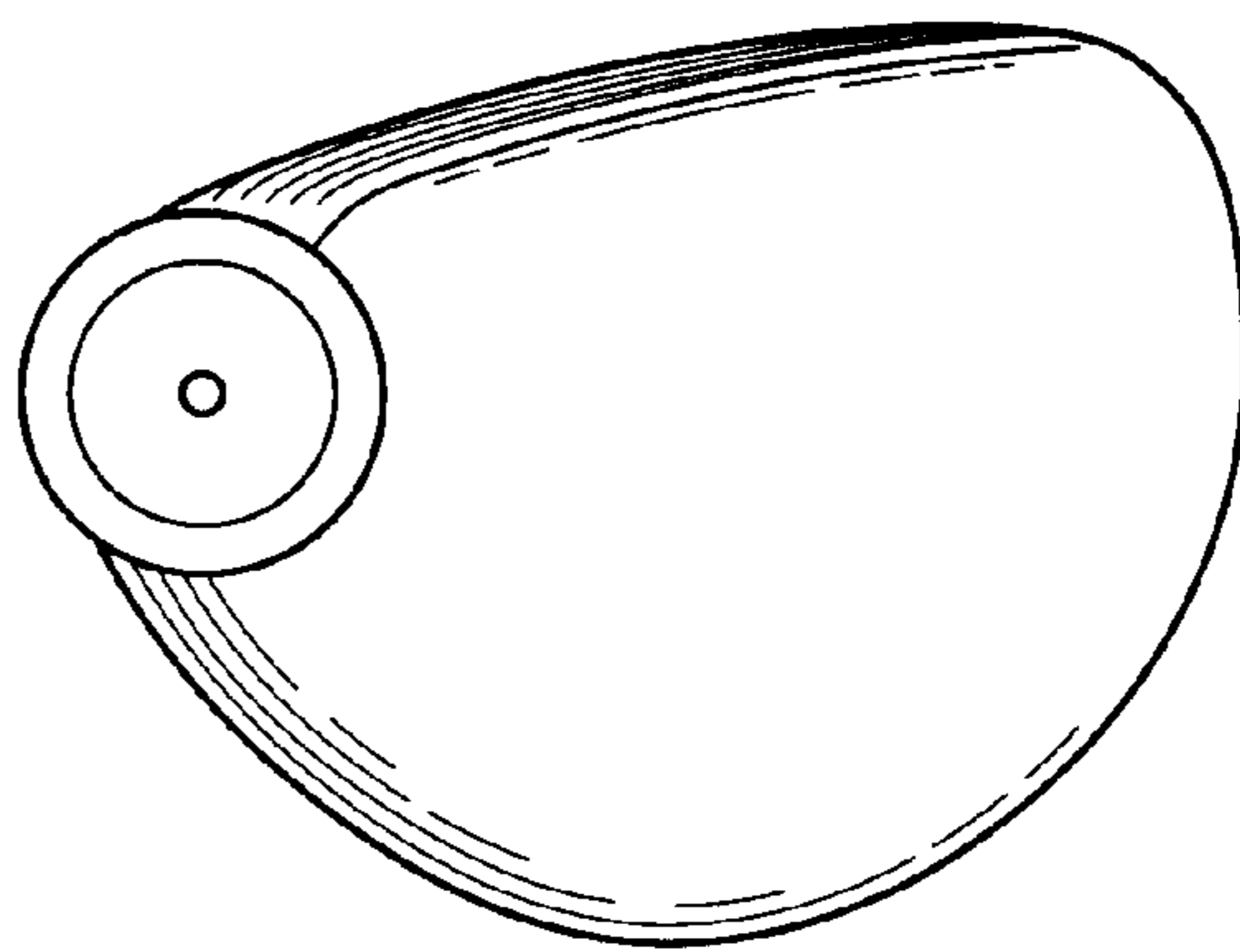
*Fig. 21*



*Fig. 22*



*Fig. 23*



*Fig. 24*