



US00D483399S

(12) **United States Design Patent**  
**Ortiz**

(10) **Patent No.:** **US D483,399 S**

(45) **Date of Patent:** **\*\* Dec. 9, 2003**

(54) **SHEET STACKER**

(75) Inventor: **Carlos Garnier Ortiz**, Jalisco (MX)

(73) Assignee: **Hewlett-Packard Development Company, L.P.**, Houston, TX (US)

(\*\*) Term: **14 Years**

(21) Appl. No.: **29/181,070**

(22) Filed: **May 5, 2003**

(51) **LOC (7) Cl.** ..... **18-99**

(52) **U.S. Cl.** ..... **D18/47**

(58) **Field of Search** ..... D18/36-41, 50-56;  
271/3.01-3.14, 8.1, 9.01, 165, 292; 399/361-365,  
381, 405; D14/462-471

(56) **References Cited**

**U.S. PATENT DOCUMENTS**

D357,273 S \* 4/1995 Hocking ..... D18/49  
D421,979 S \* 3/2000 Agata ..... D14/470

D464,659 S \* 10/2002 Nanri ..... D14/463  
D465,224 S \* 11/2002 Amemiya et al. .... D14/463

\* cited by examiner

*Primary Examiner*—Caron D. Veynar

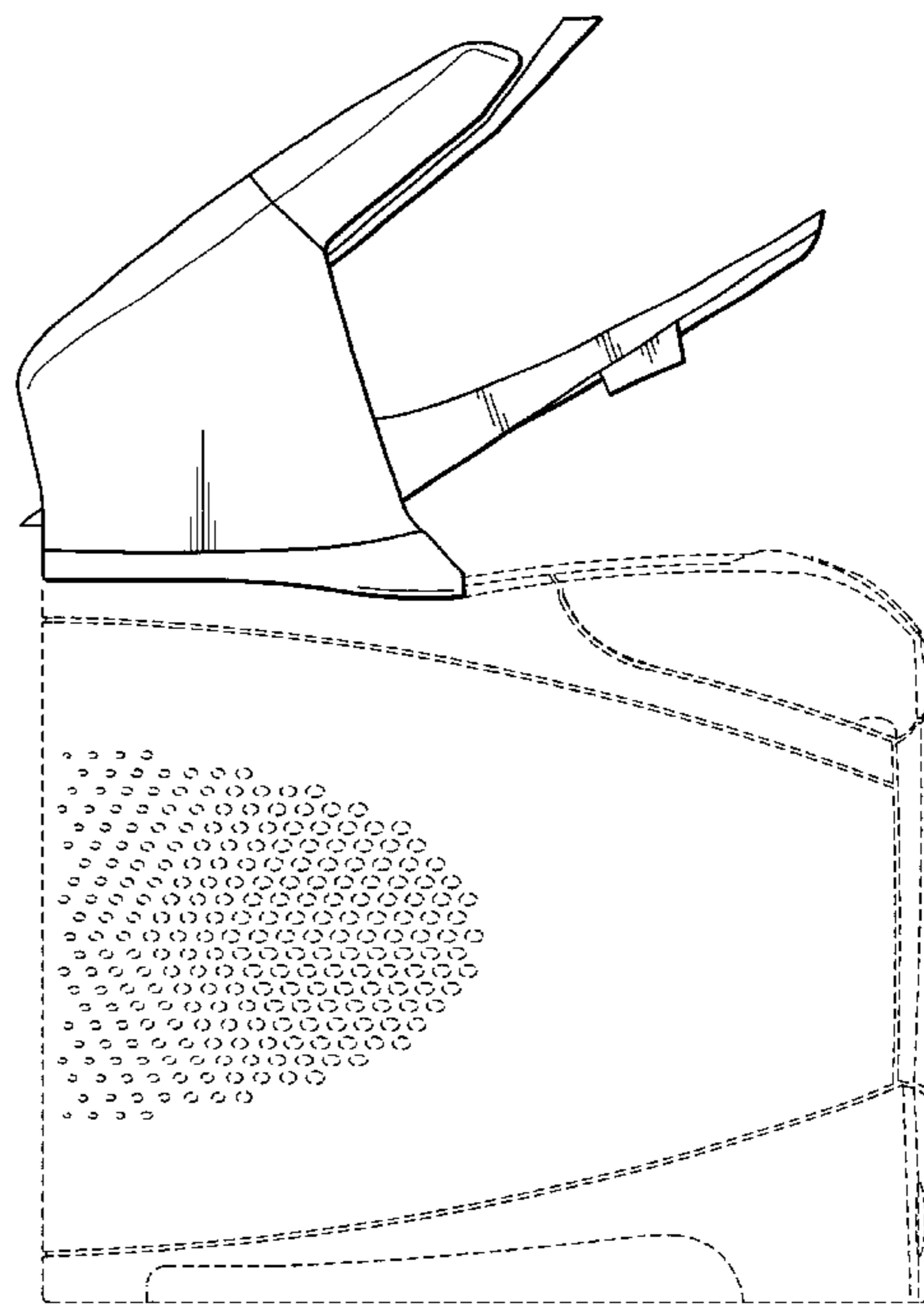
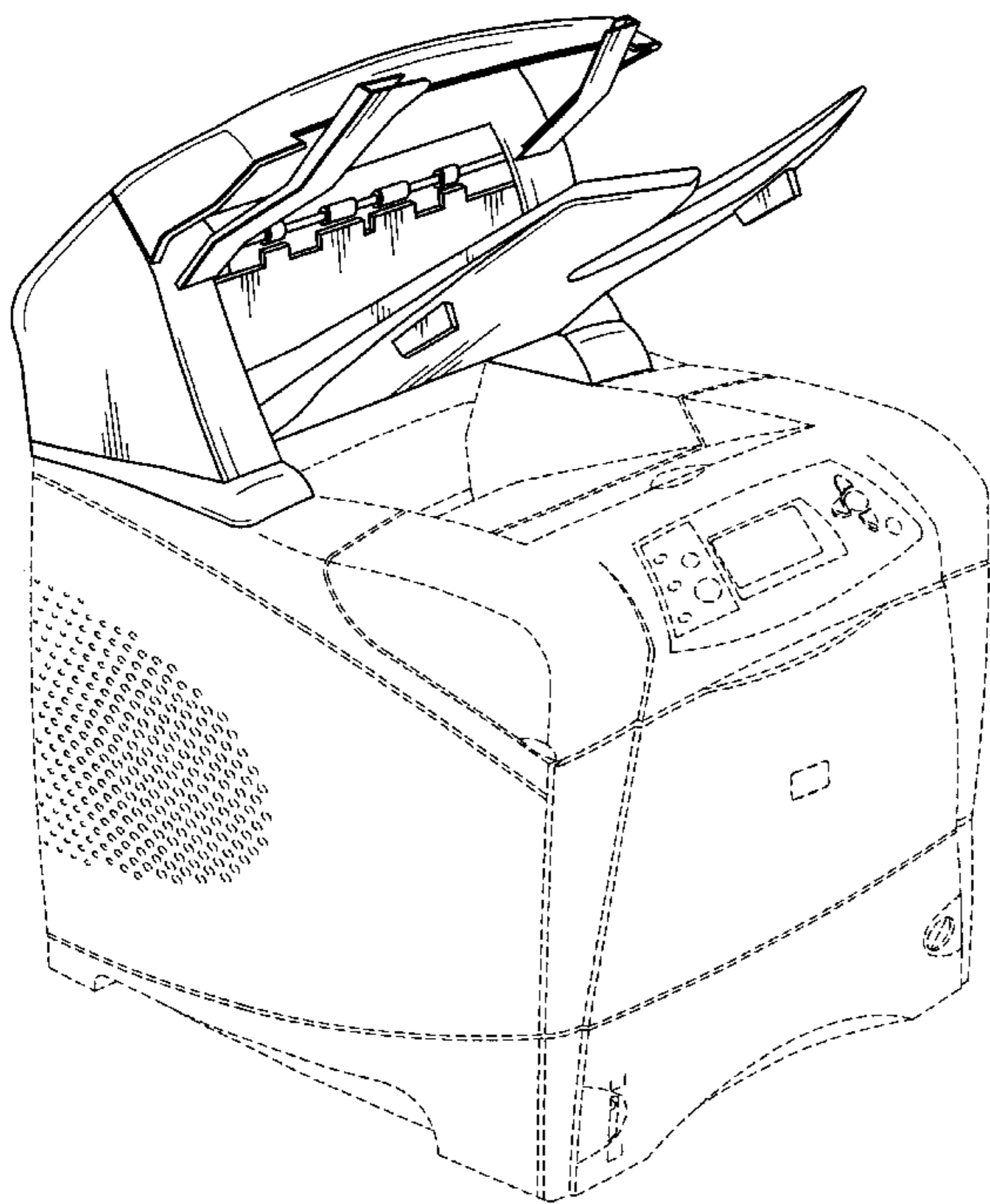
(57) **CLAIM**

The ornamental design for a sheet stacker, as shown and described.

**DESCRIPTION**

FIG. 1 is a left-front perspective view of a sheet stacker showing the new design;  
FIG. 2 is a front view thereof;  
FIG. 3 is a left side view thereof;  
FIG. 4 is a right side view thereof;  
FIG. 5 is a top view thereof; and,  
FIG. 6 is a rear view thereof.  
The broken lines showing in FIGS. 1-6 are for illustrative purposes only and form no part of the claimed design.

**1 Claim, 6 Drawing Sheets**



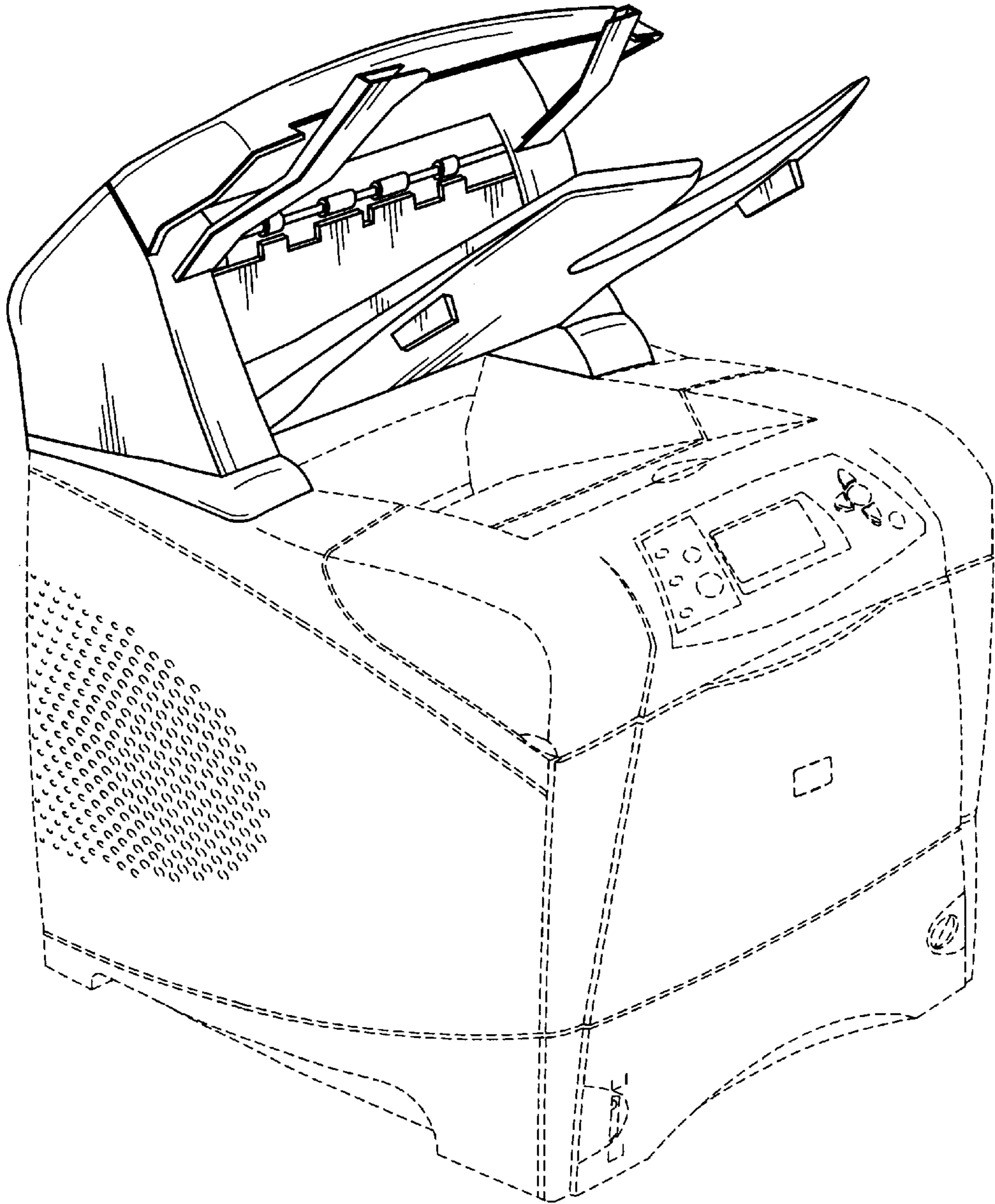


FIG. 1

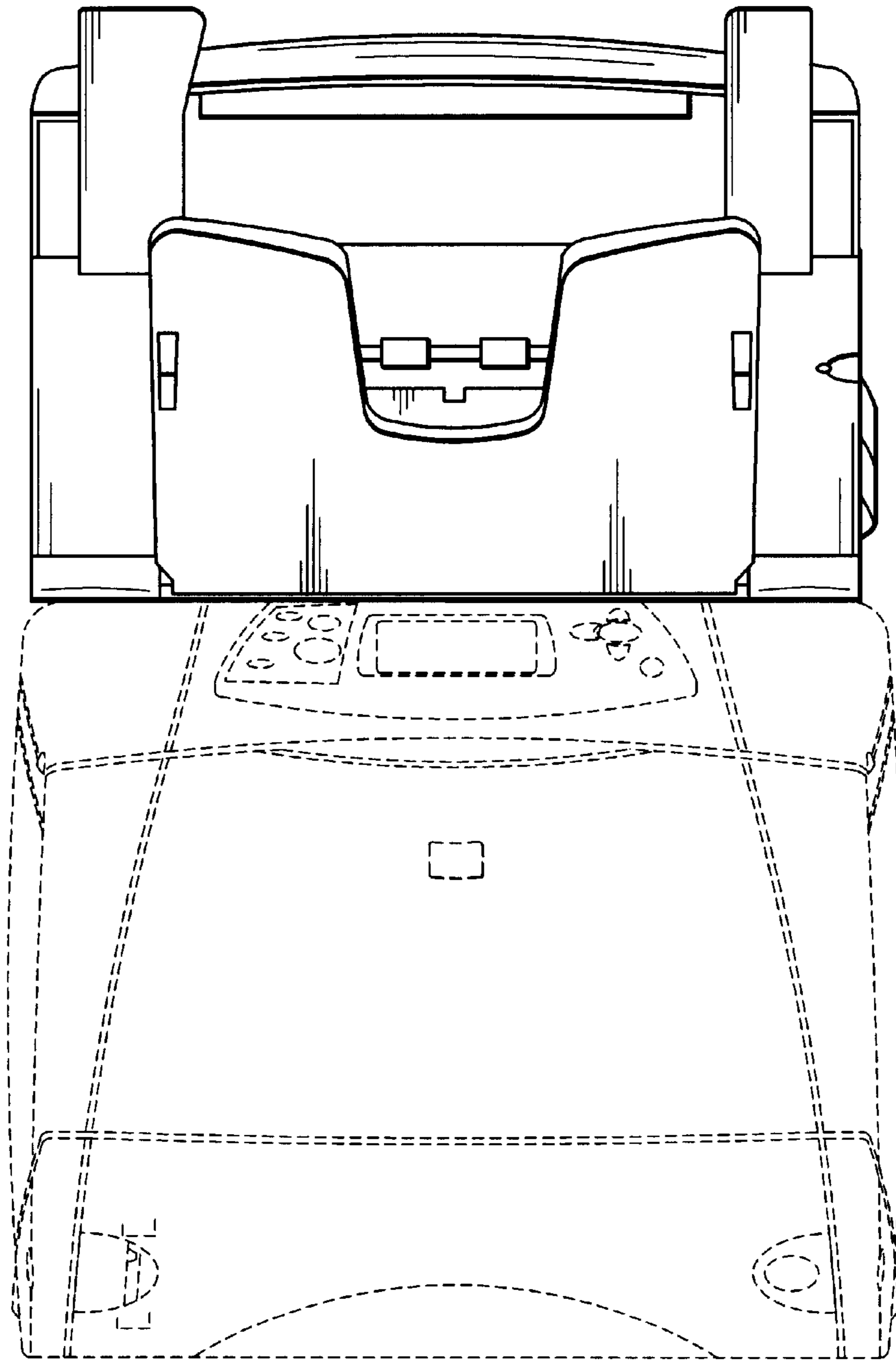


FIG. 2

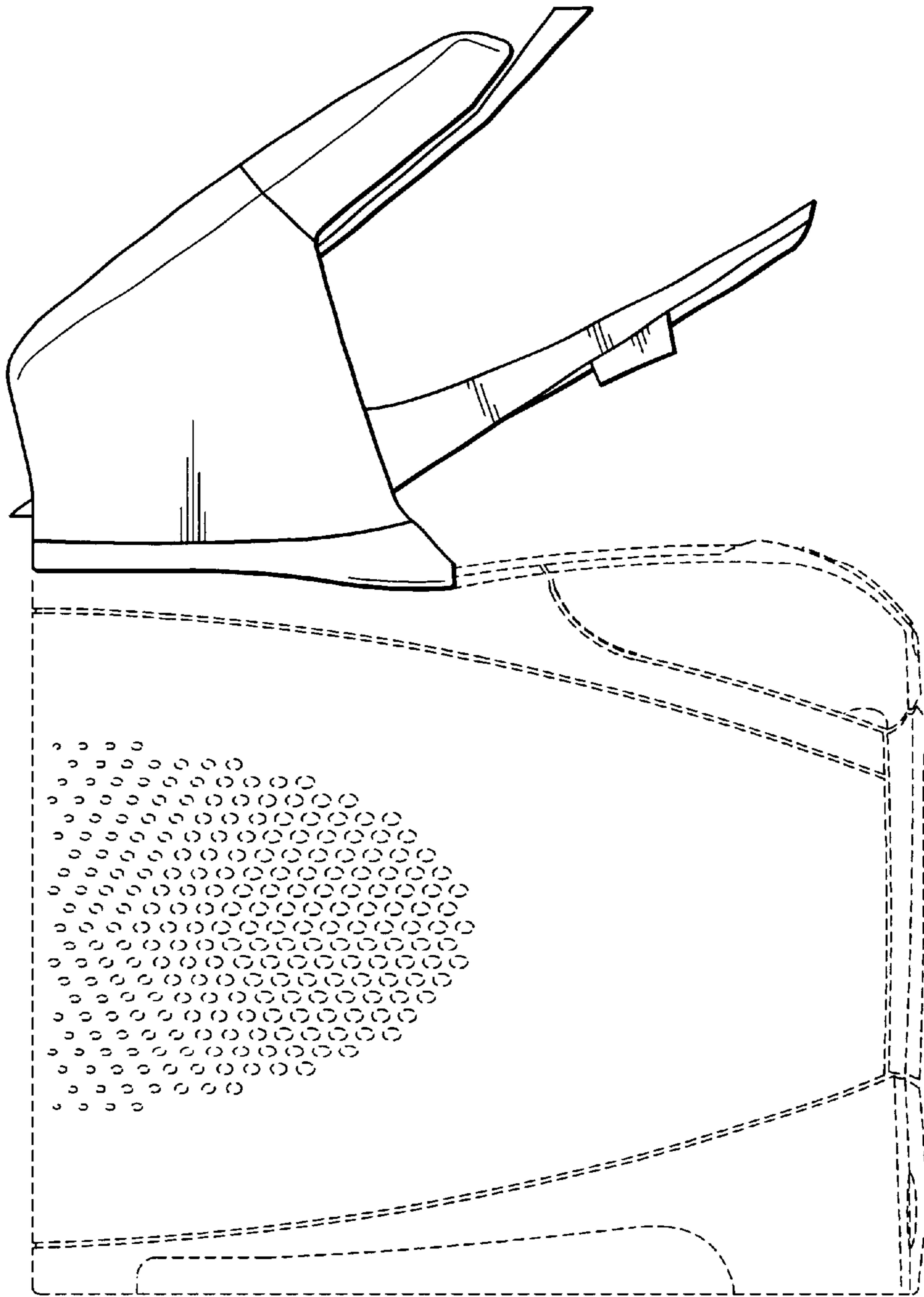


FIG. 3

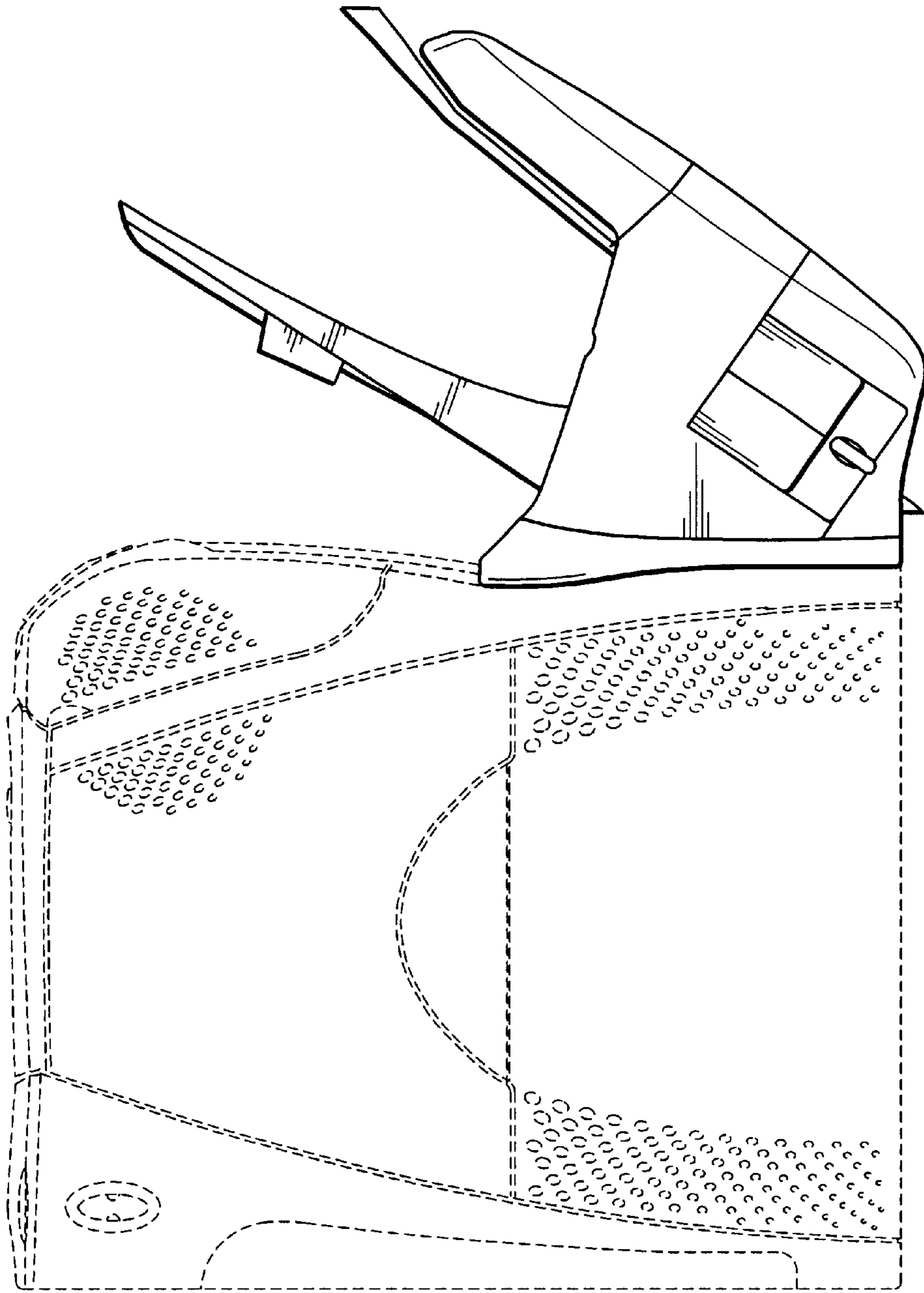


FIG. 4

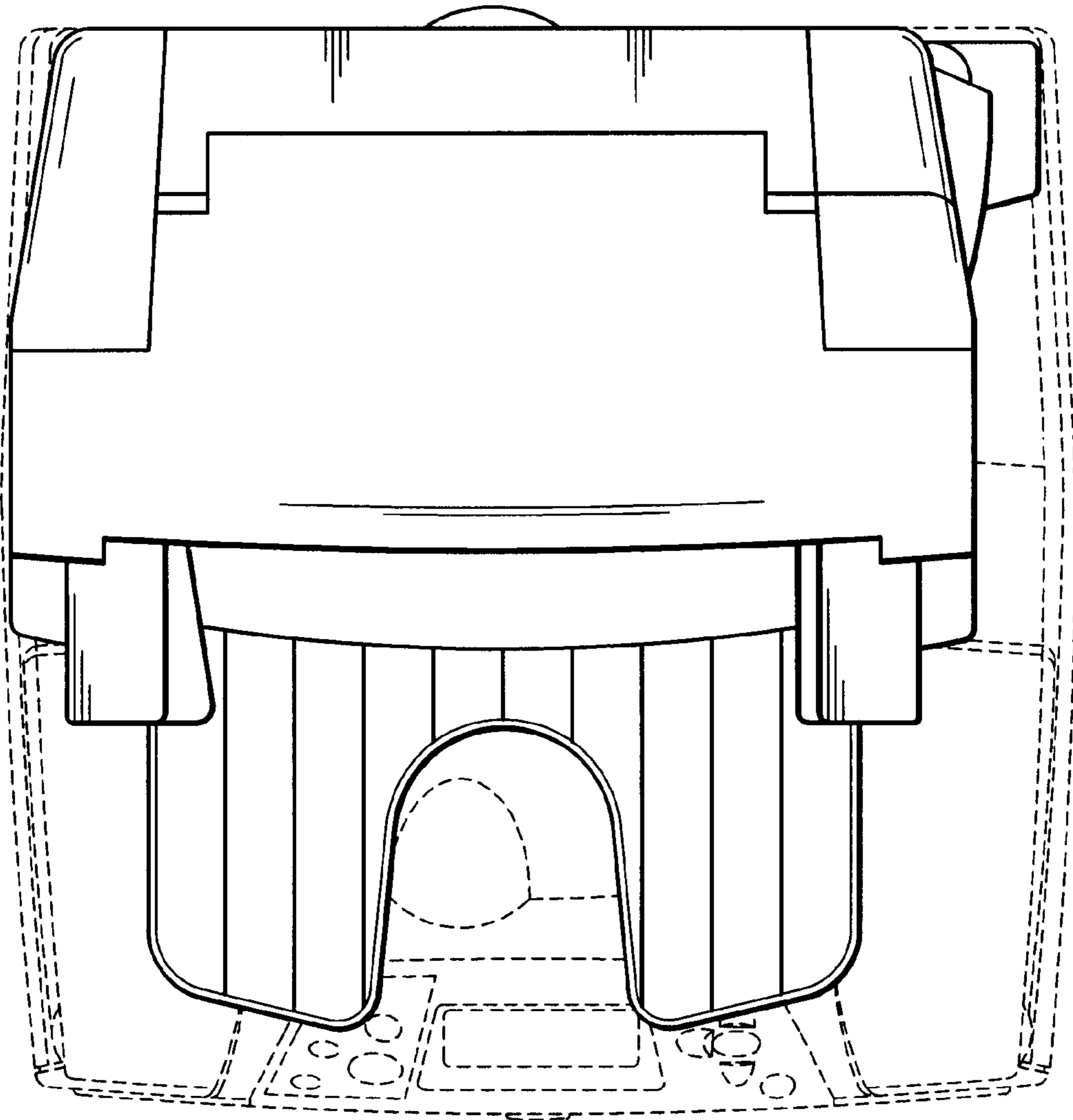


FIG. 5

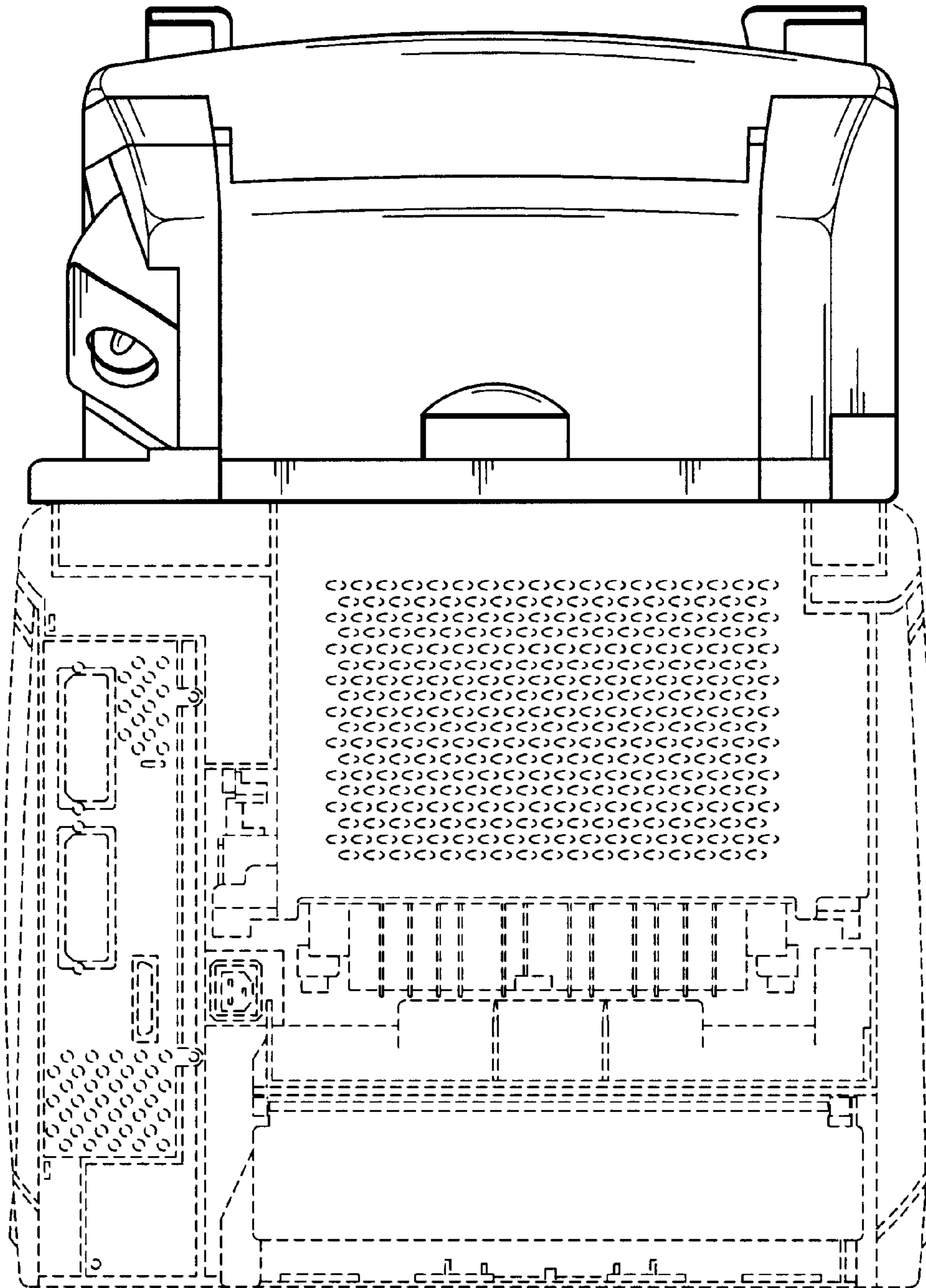


FIG. 6