



US00D483398S

(12) **United States Design Patent**  
**Mori et al.**

(10) **Patent No.:** **US D483,398 S**  
(45) **Date of Patent:** **\*\* Dec. 9, 2003**

(54) **JIG FOR BINDING PERFORATED SHEETS  
ON A RING BINDER**

(75) Inventors: **Makoto Mori, Katsushika-ku (JP);  
Hiroshi Nakagawa, Katsushika-ku (JP)**

(73) Assignee: **Carl Jimuki Kabushiki Kaisha, Tokyo  
(JP)**

(\*\*) Term: **14 Years**

(21) Appl. No.: **29/158,226**

(22) Filed: **Apr. 2, 2002**

(51) **LOC (7) Cl.** ..... **18-04**

(52) **U.S. Cl.** ..... **D18/34**

(58) **Field of Search** ..... D18/34, 99; D15/199;  
156/147, 479, 578, 908; 281/27.1, 27.2,  
27.3, 21.2; 412/38, 40, 42, 43

(56) **References Cited**

**U.S. PATENT DOCUMENTS**

- D192,265 S \* 2/1962 Crowle ..... D15/128
- 3,518,143 A 6/1970 Fuhr
- D233,559 S \* 11/1974 Estes ..... D18/34
- 3,956,057 A 5/1976 Jung
- D267,018 S 11/1982 Balmer
- D287,511 S \* 12/1986 Scharer ..... D18/34
- 4,902,183 A 2/1990 Vercillo et al.
- 4,904,333 A 2/1990 Zoltner
- D352,955 S 11/1994 Nordgren
- D362,867 S 10/1995 Mori
- D365,580 S 12/1995 Stiles et al.

- 5,683,218 A \* 11/1997 Mori ..... 412/40
- D416,041 S 11/1999 Mori
- D423,039 S 4/2000 Cox
- D437,344 S 2/2001 Reuter
- D437,345 S 2/2001 Reuter
- D460,476 S \* 7/2002 Mori et al. .... D18/34

**FOREIGN PATENT DOCUMENTS**

WO DM/050928 \* 2/2000

\* cited by examiner

*Primary Examiner*—Charles A. Rademaker

(74) *Attorney, Agent, or Firm*—Oliff & Berridge, PLC

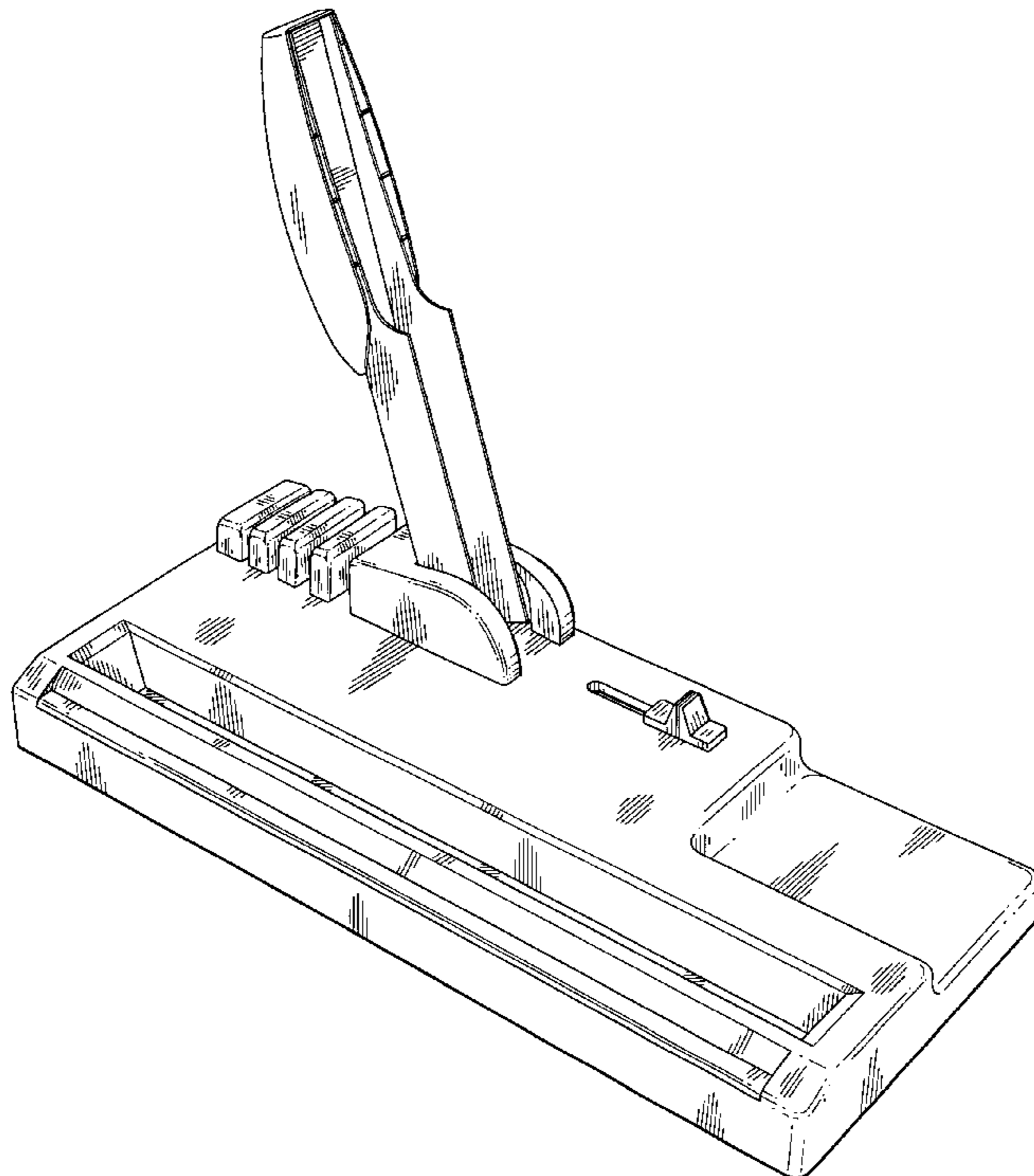
(57) **CLAIM**

The ornamental design for a jig for binding perforated sheets on a ring binder, as shown and described.

**DESCRIPTION**

FIG. 1 is a front perspective view of a jig for binding perforated sheets on a ring binder;  
 FIG. 2 is a top view thereof;  
 FIG. 3 is a bottom view thereof;  
 FIG. 4 is a left-end view thereof;  
 FIG. 5 is a right-end view thereof;  
 FIG. 6 is a rear view thereof;  
 FIG. 7 is a front view thereof; and,  
 FIG. 8 is a front perspective view thereof with a handle in a raised position.  
 The broken line showing is for illustrative purposes only and forms no part of the claimed design.

**1 Claim, 6 Drawing Sheets**



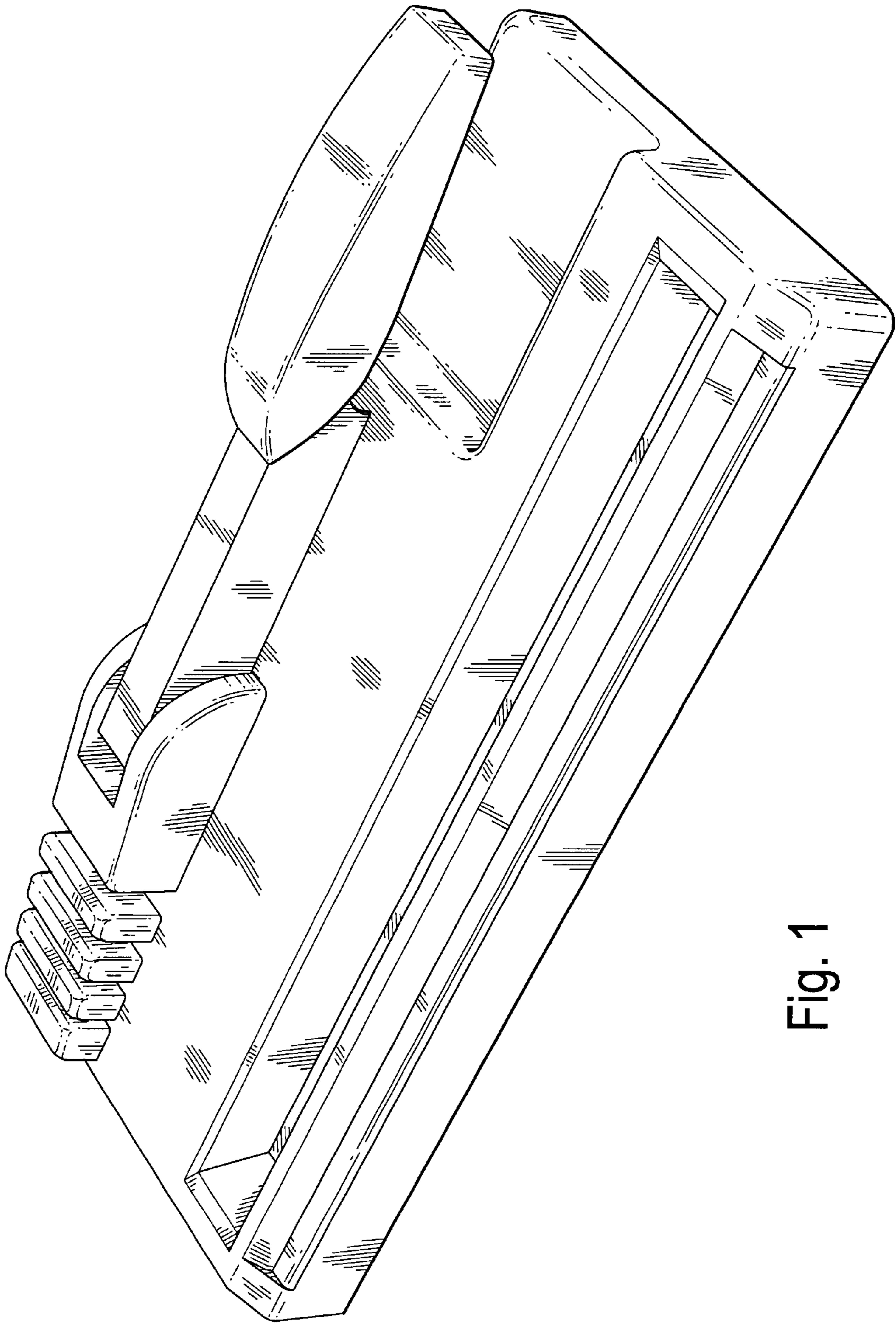


Fig. 1

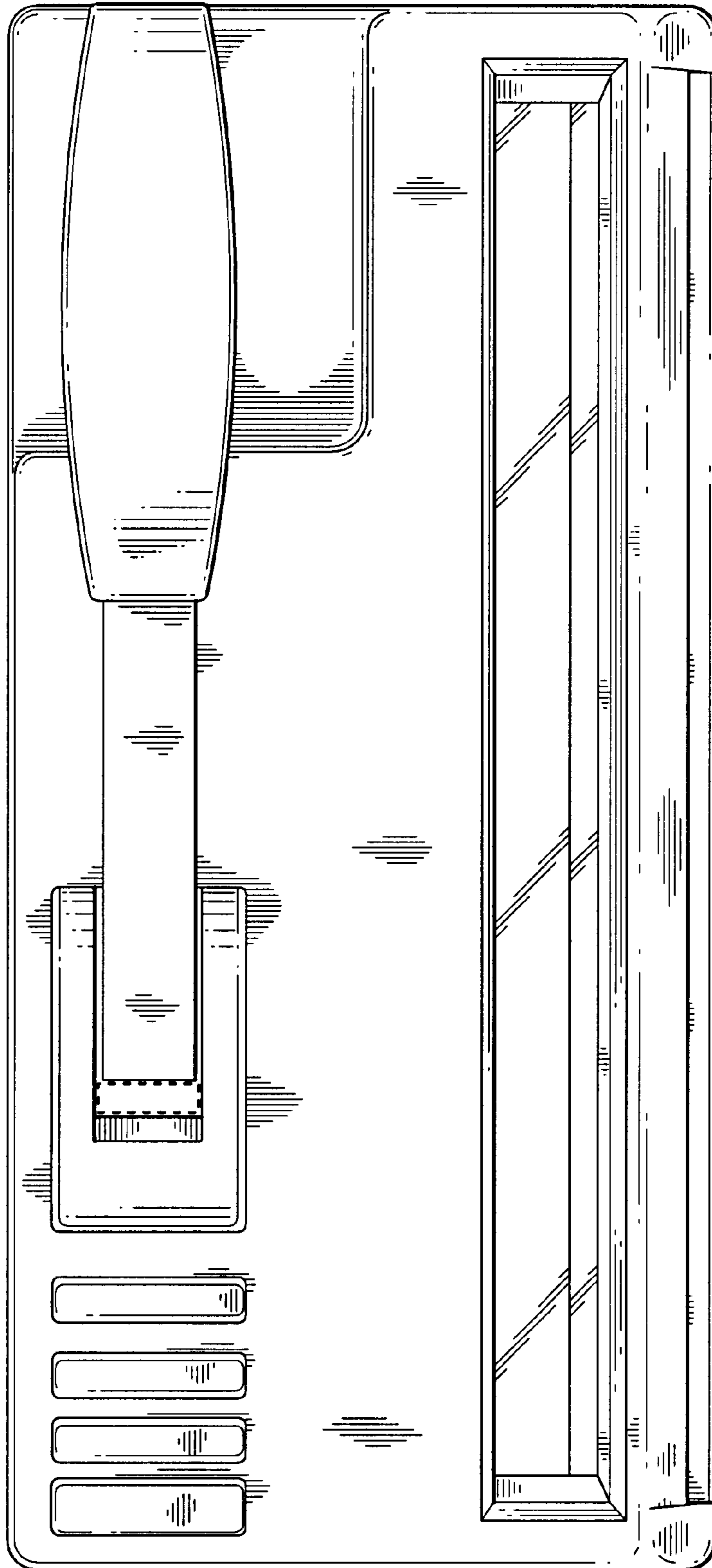


Fig. 2

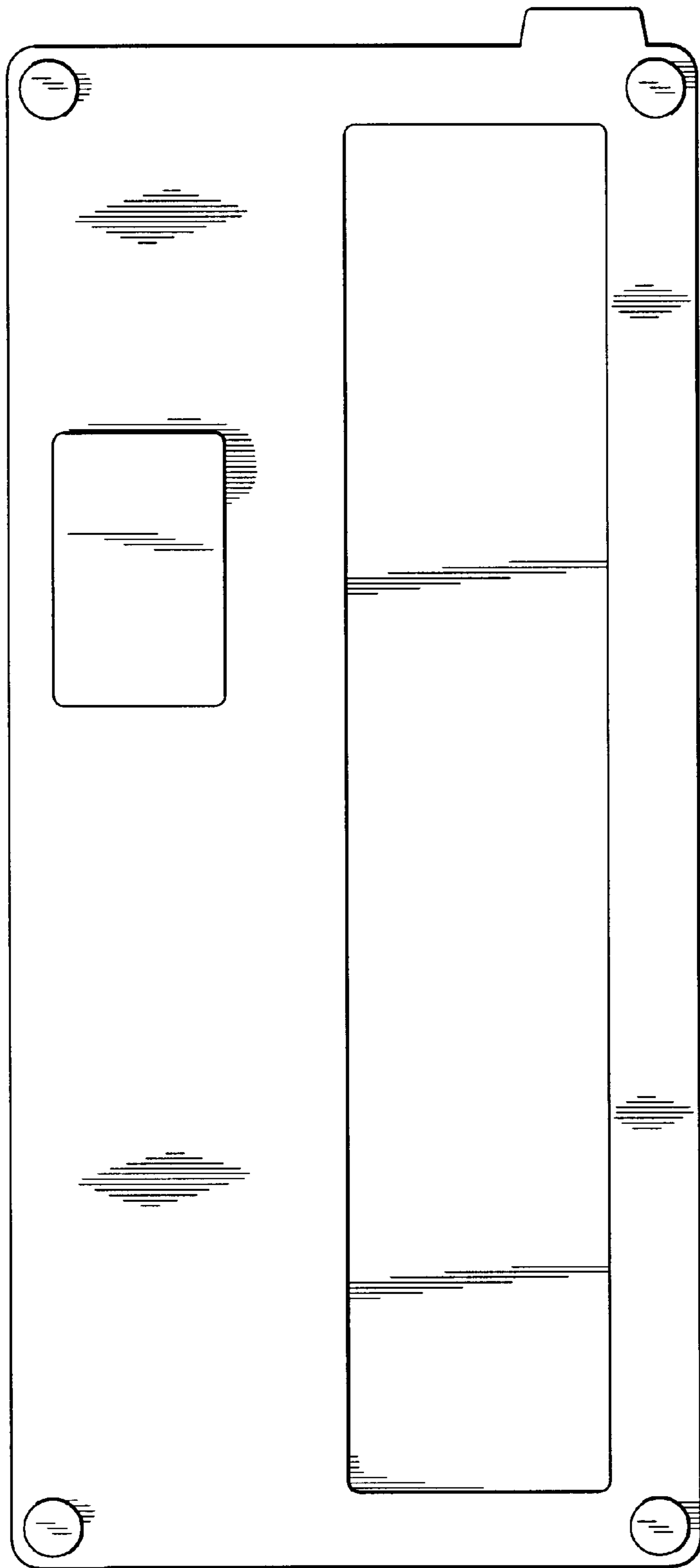


Fig. 3

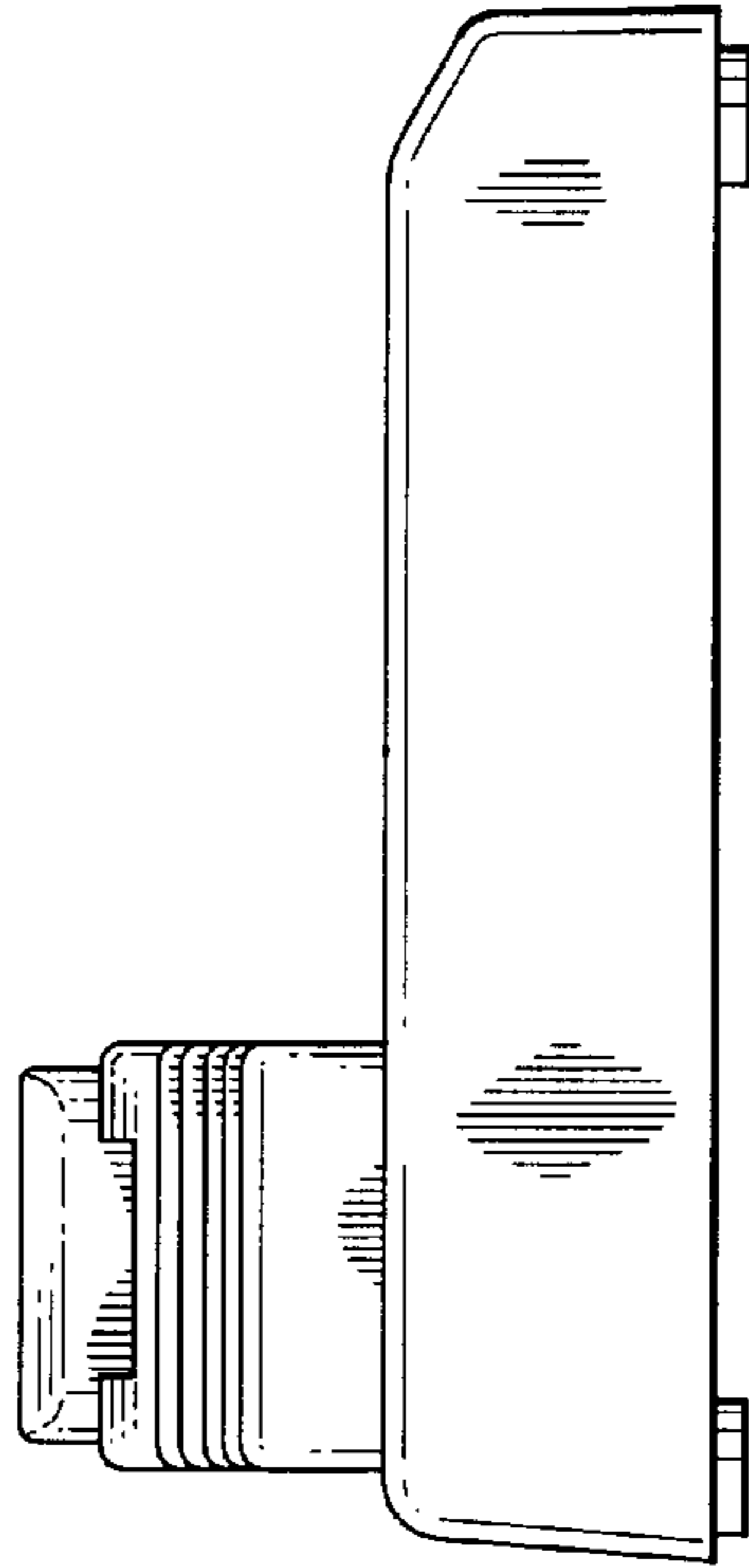


Fig. 5

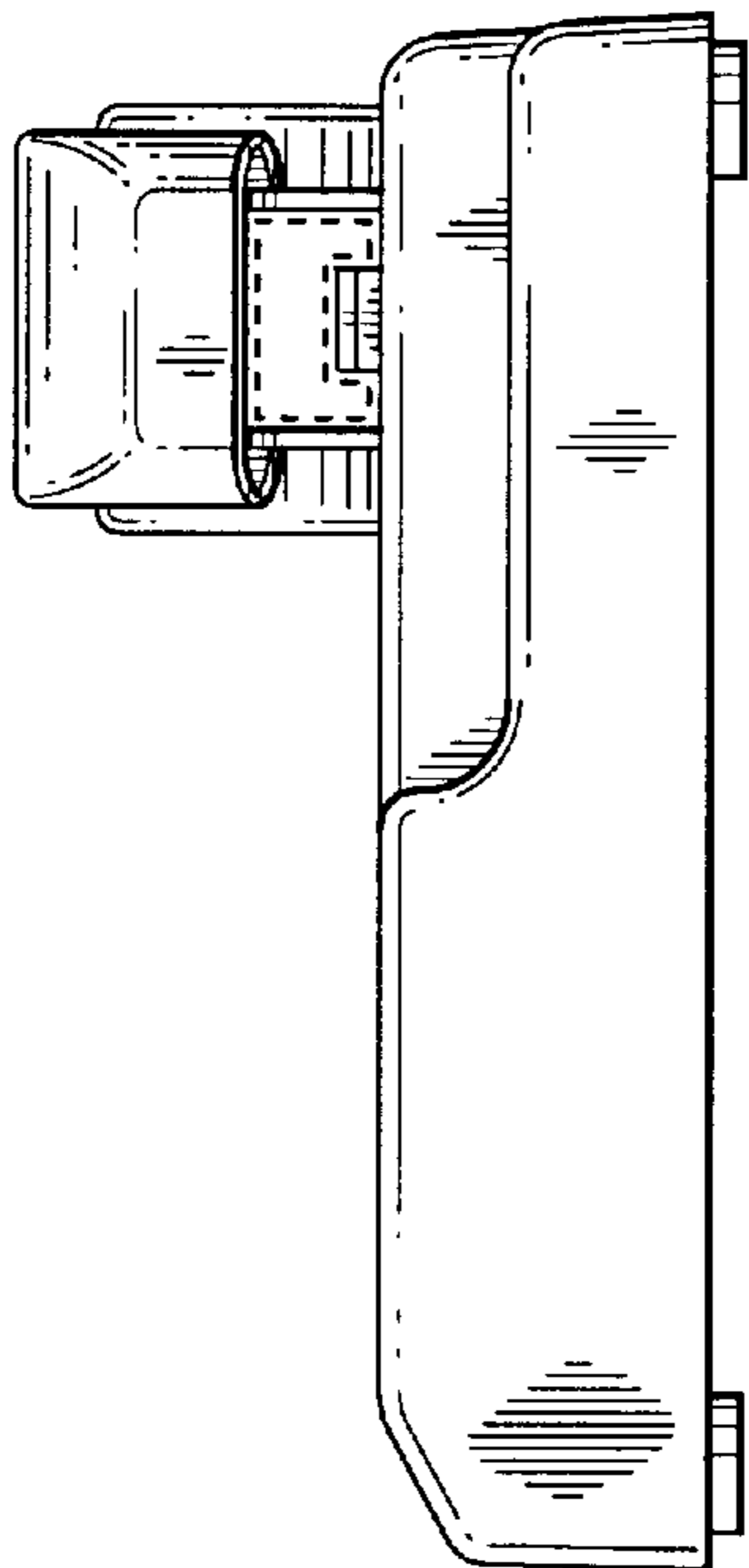


Fig. 4

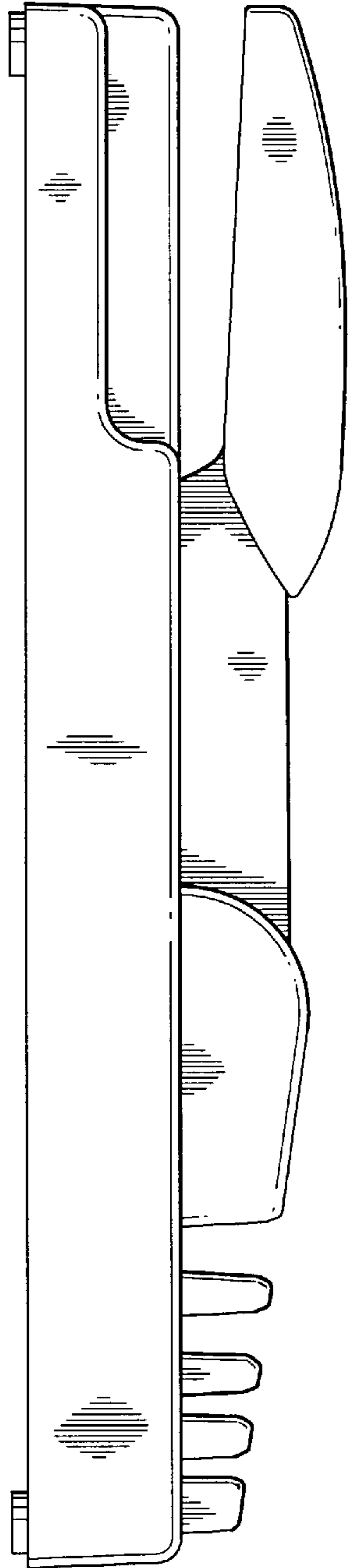


Fig. 6

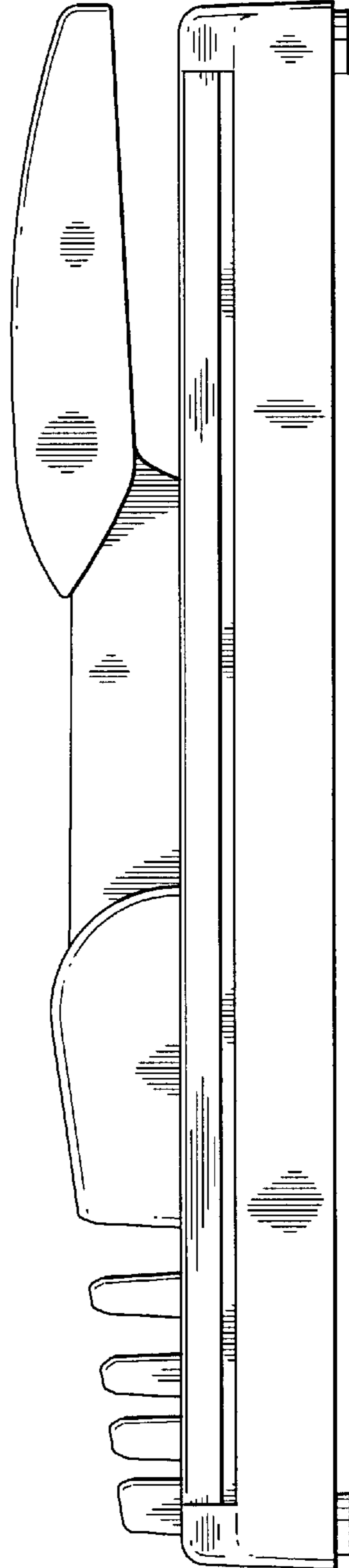


Fig. 7

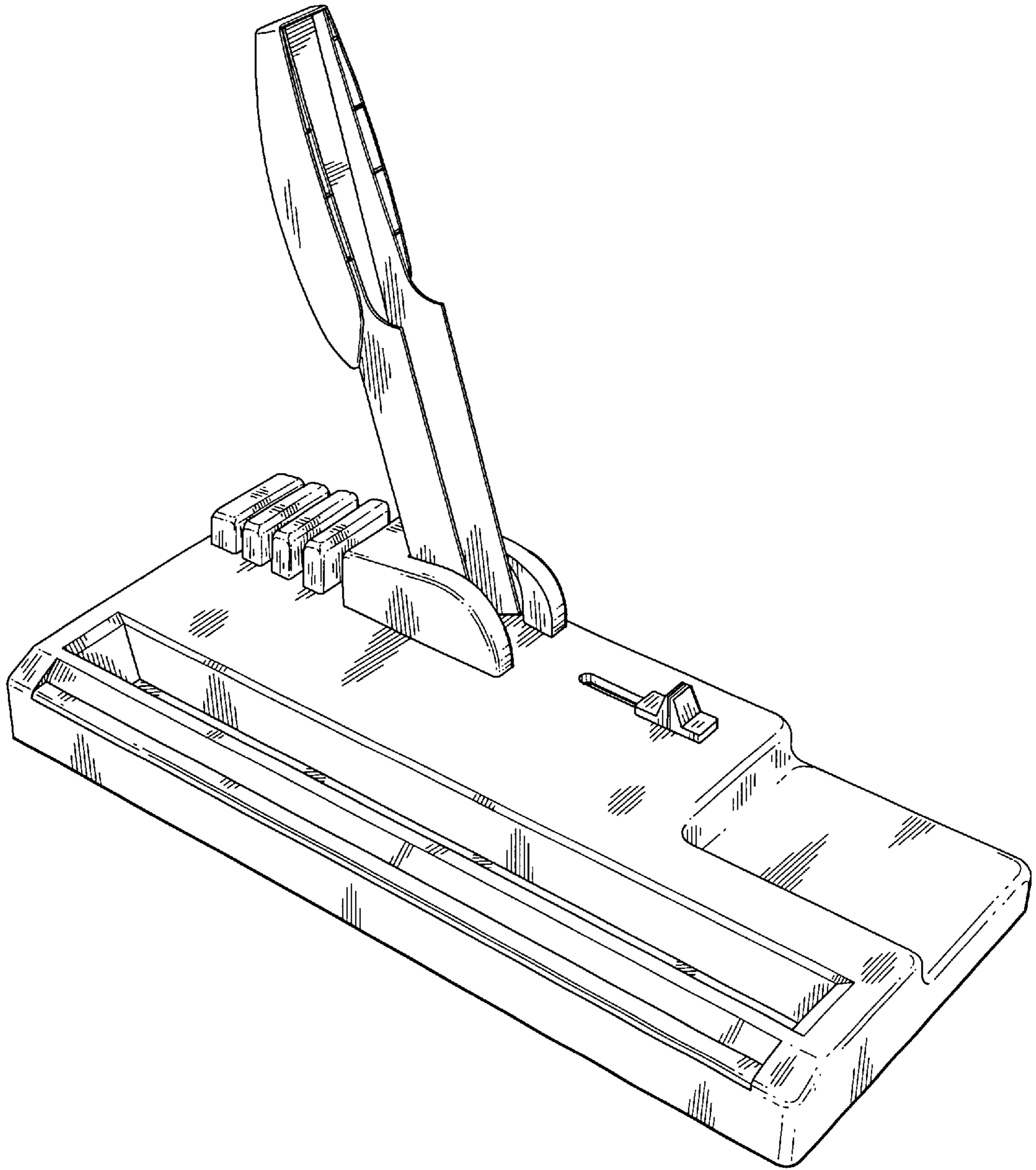


Fig. 8