



US00D483389S

(12) **United States Design Patent**
Nasu

(10) **Patent No.:** **US D483,389 S**

(45) **Date of Patent:** **** Dec. 9, 2003**

(54) **CAMERA**

(75) **Inventor:** **Miyoshi Nasu, Tokyo (JP)**

(73) **Assignee:** **Pentax Corporation, Tokyo (JP)**

(**) **Term:** **14 Years**

(21) **Appl. No.:** **29/176,612**

(22) **Filed:** **Feb. 27, 2003**

(30) **Foreign Application Priority Data**

Aug. 29, 2002 (JP) 2002-023173

(51) **LOC (7) Cl. 16-01**

(52) **U.S. Cl. D16/209**

(58) **Field of Search D16/200-204,**
D16/208, 209, 212, 218; 396/535-541

(56) **References Cited**

U.S. PATENT DOCUMENTS

D404,750 S * 1/1999 Koinuma D16/209
D431,830 S * 10/2000 Koinuma D16/209
D432,152 S * 10/2000 Watanabe D16/209

D438,228 S * 2/2001 Hamamura D16/209
D440,591 S * 4/2001 Nasu D16/209
D446,536 S * 8/2001 Kim D16/209
D449,631 S * 10/2001 Hayashi D16/209

* cited by examiner

Primary Examiner—Adir Aronovich

(74) *Attorney, Agent, or Firm*—Sughrue Mion, PLLC

(57) **CLAIM**

The ornamental design for a camera, as shown and described.

DESCRIPTION

FIG. 1 is a perspective view of the top, front and right side of a camera showing my new design;
FIG. 2 is a front elevational view thereof;
FIG. 3 is a right side elevational view thereof;
FIG. 4 is a left side elevational view thereof;
FIG. 5 is a top plan view thereof;
FIG. 6 is a bottom plan view thereof;
FIG. 7 is a rear elevational view thereof; and,
FIG. 8 is a view similar to FIG. 1 with the lens extended.

1 Claim, 4 Drawing Sheets

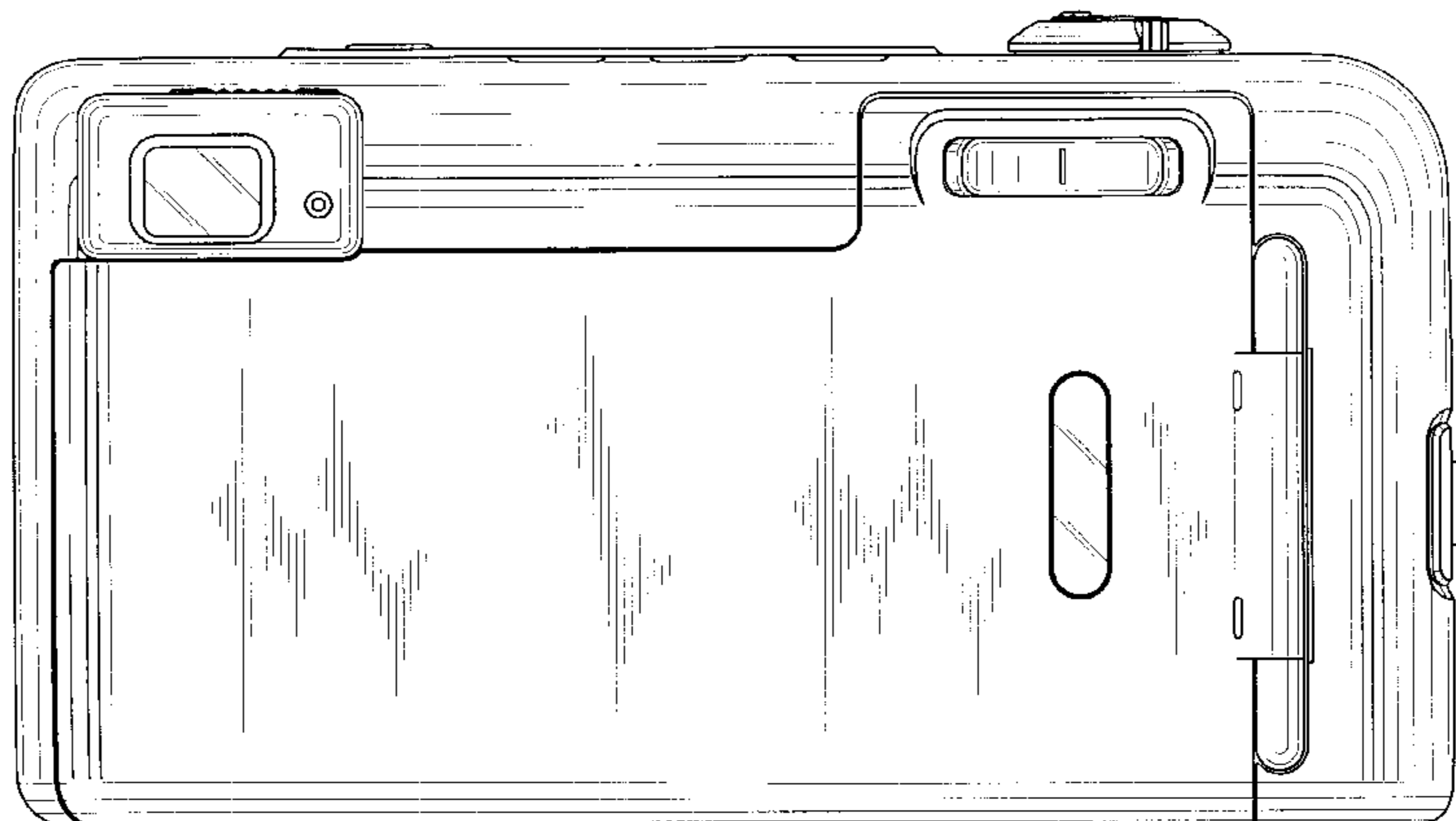
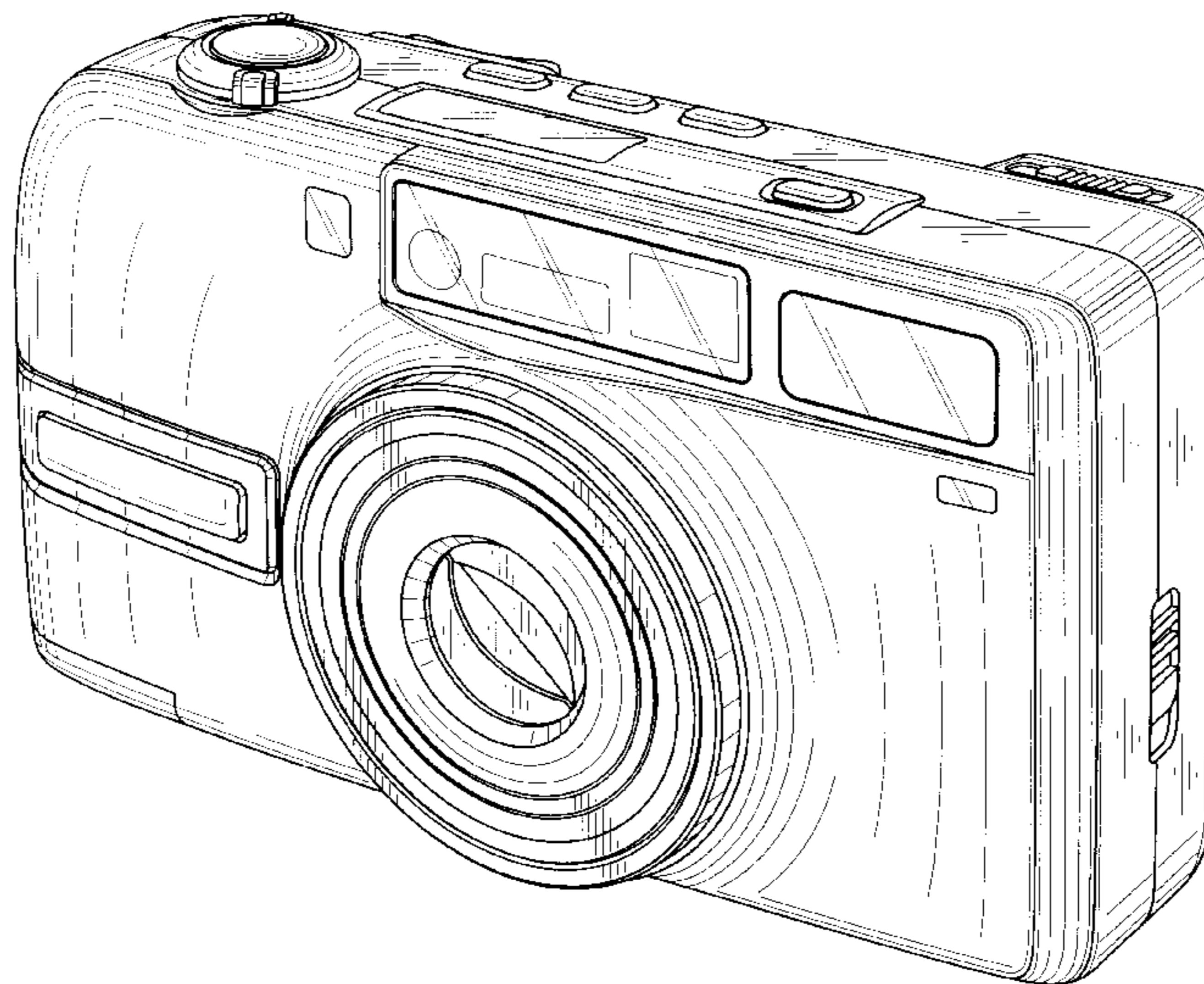


FIG. 1

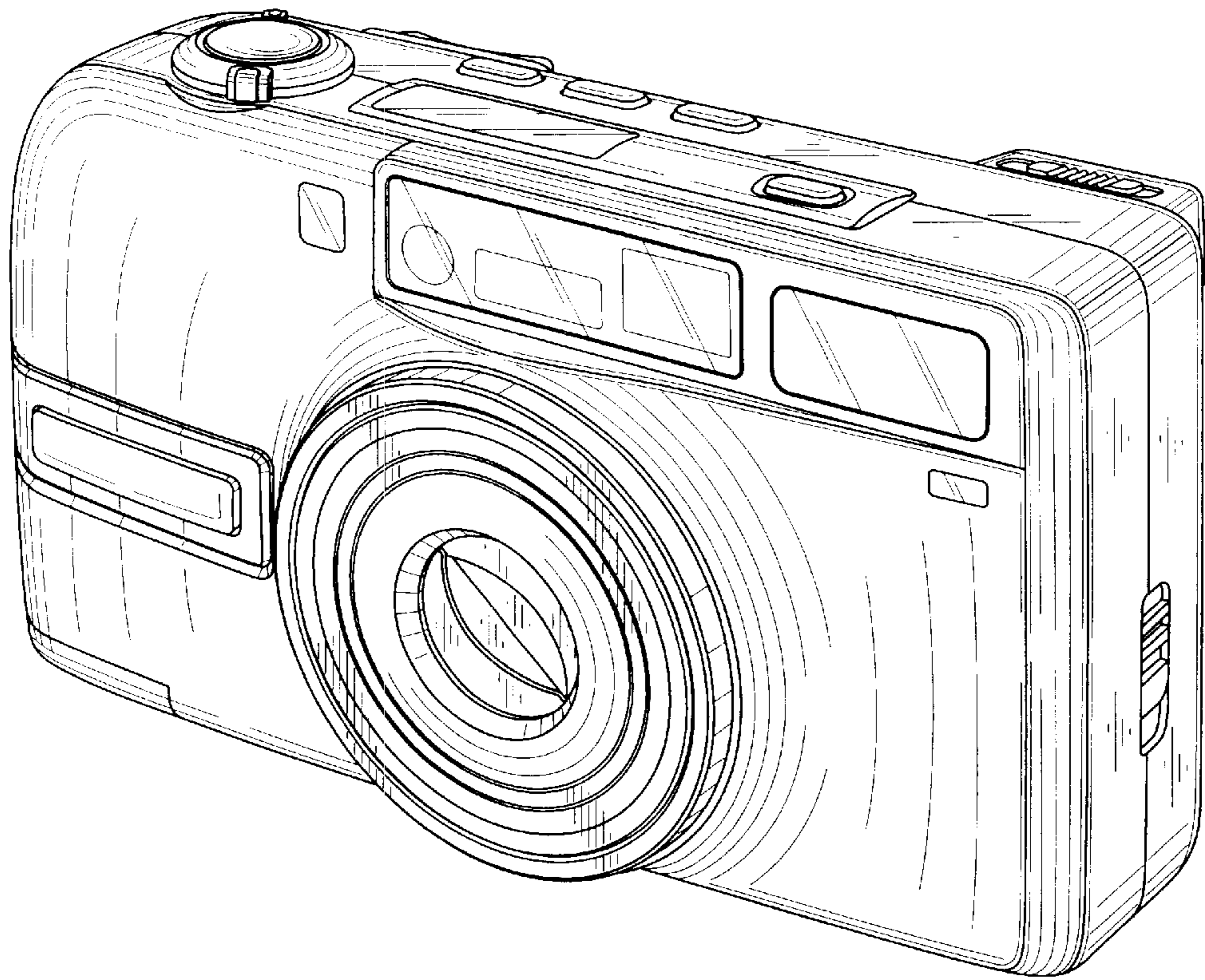


FIG. 2

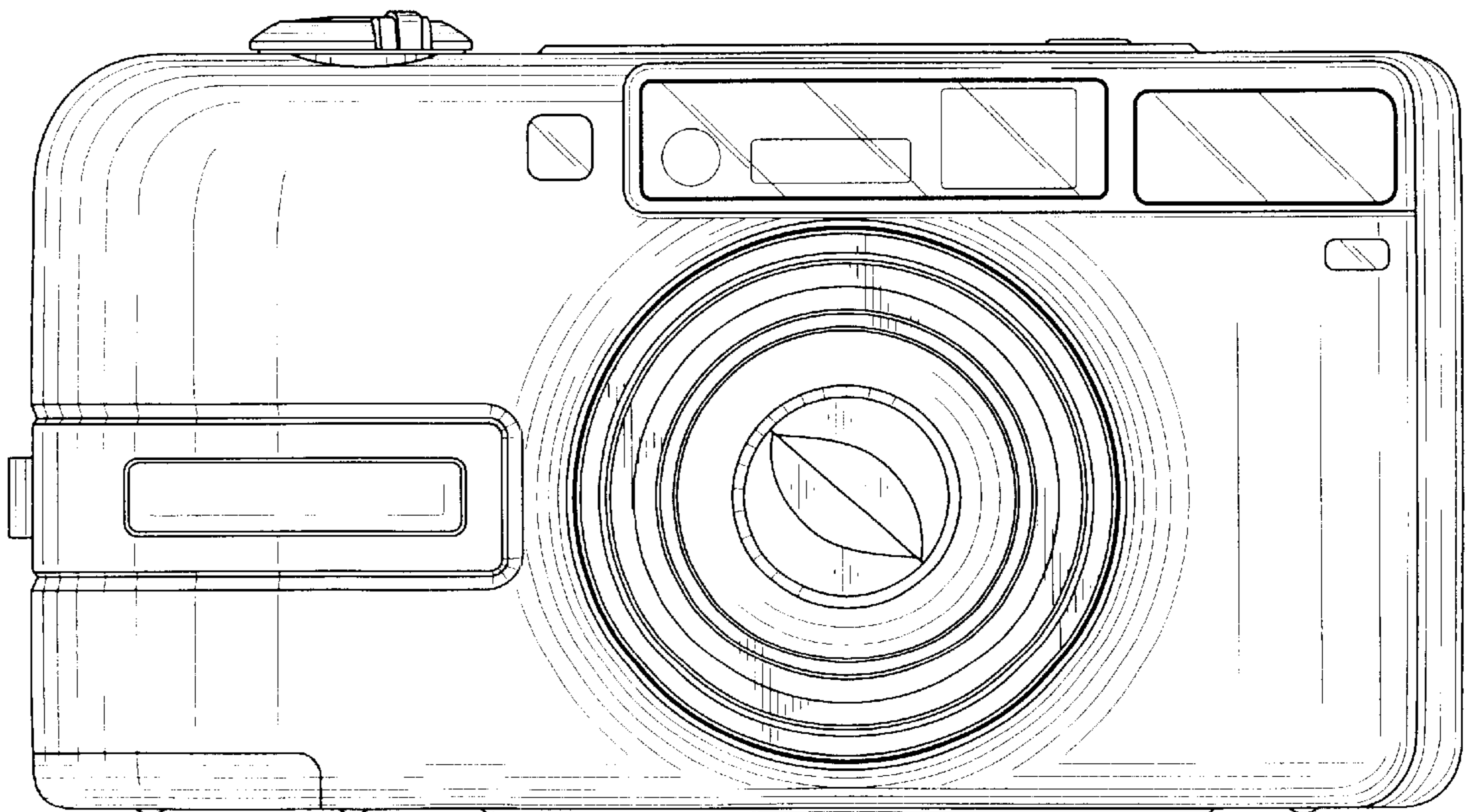


FIG. 3

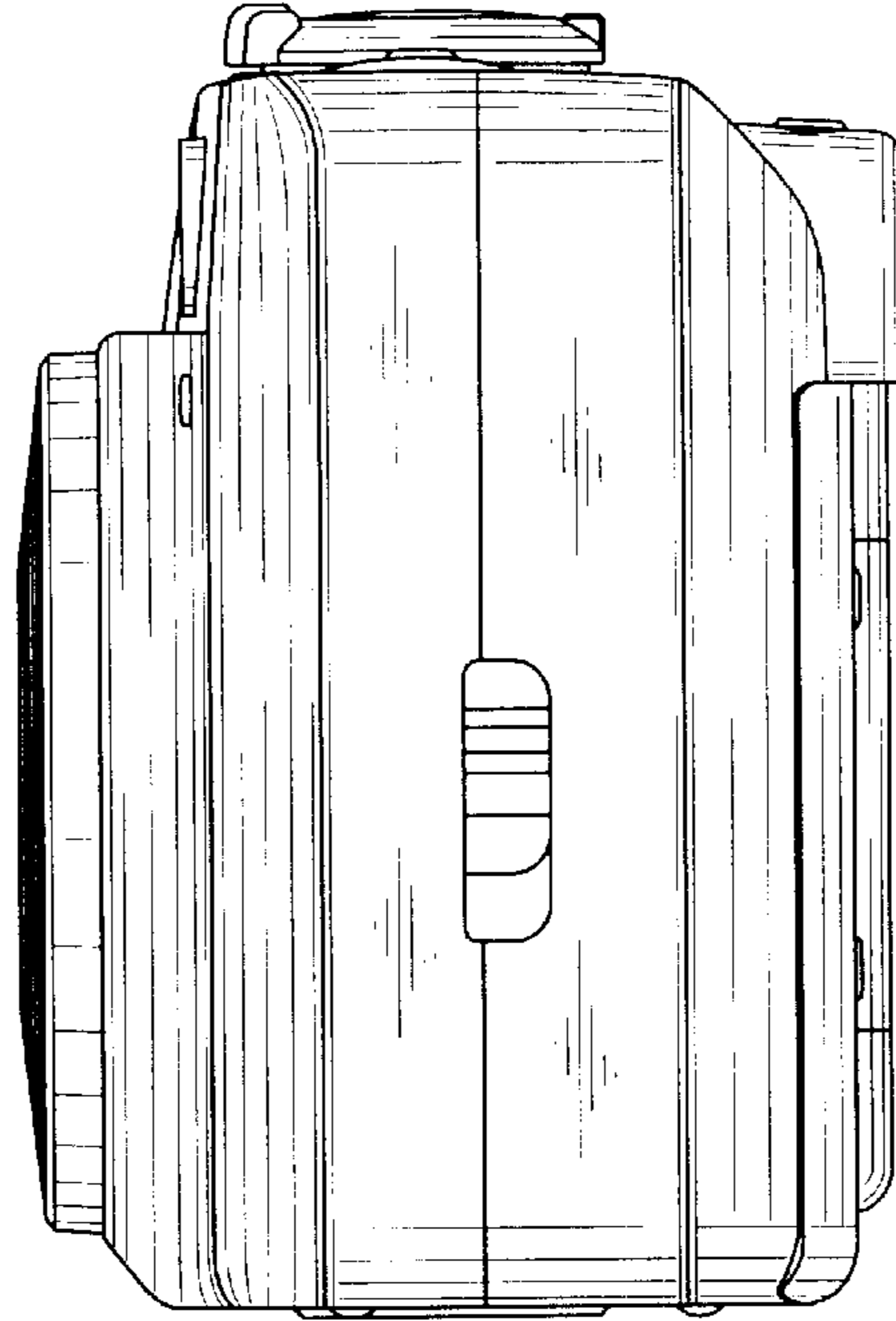


FIG. 4

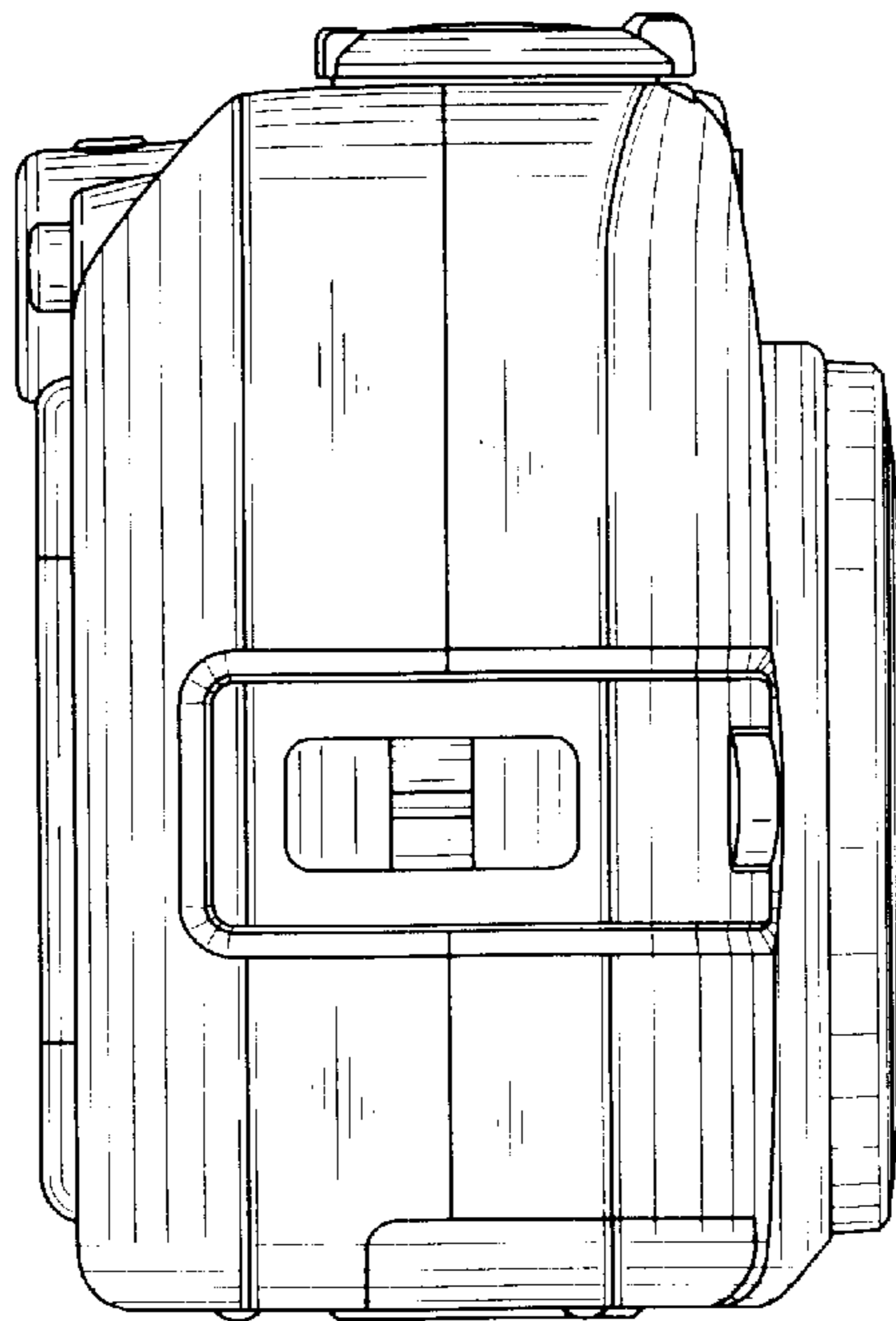


FIG. 5

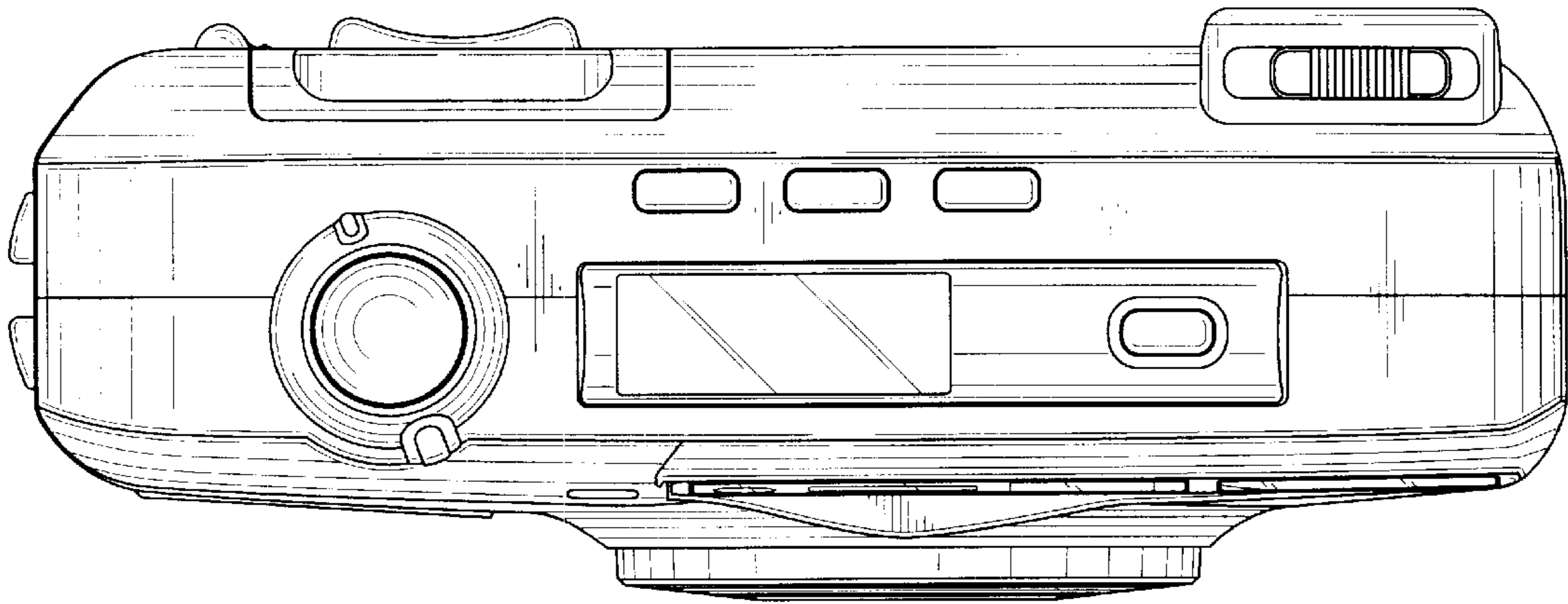


FIG. 6

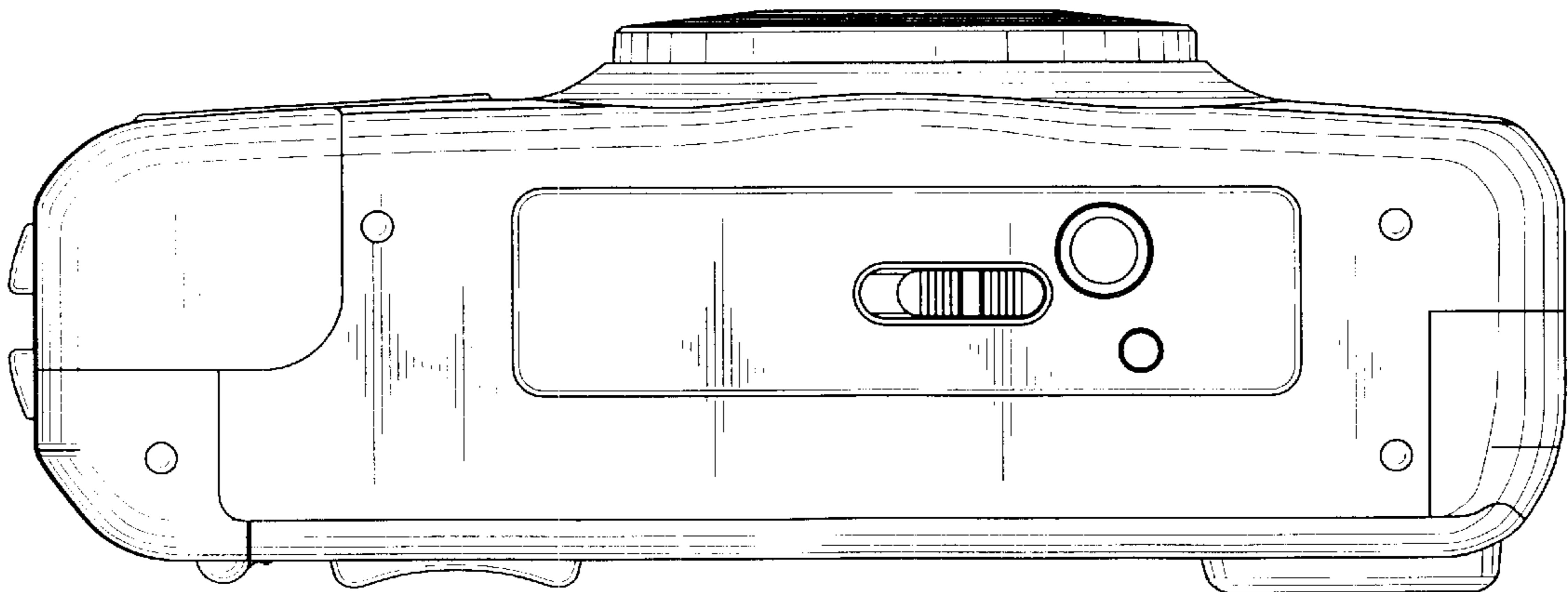


FIG. 7

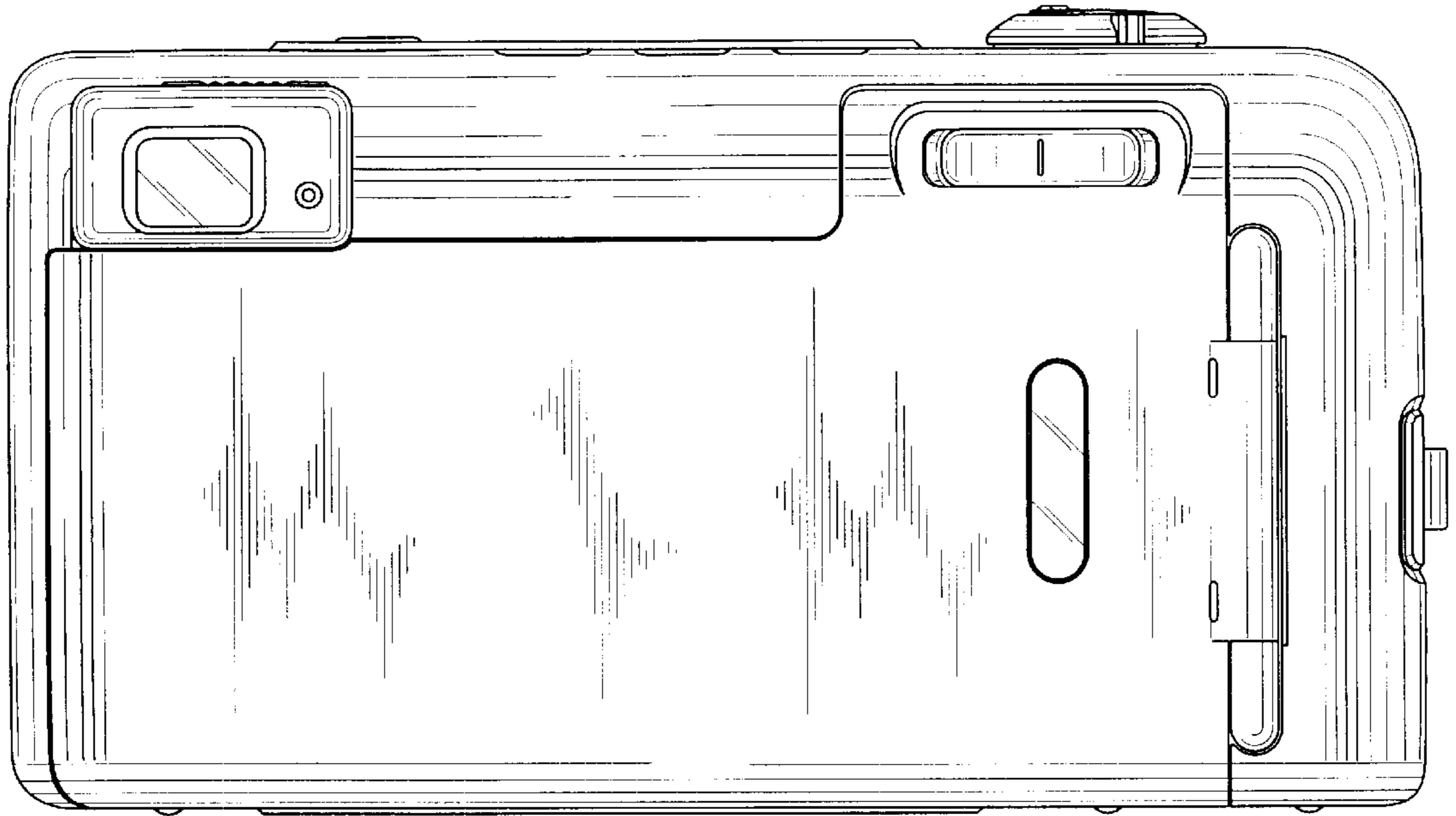


FIG. 8

