



US00D483388S

(12) **United States Design Patent**
Matsuda

(10) **Patent No.:** **US D483,388 S**

(45) **Date of Patent:** **** Dec. 9, 2003**

(54) **DIGITAL CAMERA**

(75) Inventor: **Takashi Matsuda**, Saitama (JP)

(73) Assignee: **Pentax Corporation**, Tokyo (JP)

(**) Term: **14 Years**

(21) Appl. No.: **29/176,647**

(22) Filed: **Feb. 27, 2003**

(30) **Foreign Application Priority Data**

Sep. 2, 2002 (JP) 2002-023589

(51) **LOC (7) Cl.** **16-01**

(52) **U.S. Cl.** **D16/202**

(58) **Field of Search** D16/200-204,
D16/208, 209, 218; 348/373-376; 358/906,
909.1; 396/535-541

(56) **References Cited**

U.S. PATENT DOCUMENTS

D396,242 S * 7/1998 Ito D16/209
D400,550 S * 11/1998 Inaba D16/209

D457,903 S * 5/2002 Nasu D16/202
D473,886 S * 4/2003 Katayama D16/202
D475,384 S * 6/2003 Tanaka D16/202

* cited by examiner

Primary Examiner—Adir Aronovich

(74) *Attorney, Agent, or Firm*—Sughrue Mion, PLLC

(57) **CLAIM**

The ornamental design for a digital camera, as shown and described.

DESCRIPTION

FIG. 1 is a perspective view of the top, front and right side of a digital camera showing my new design; FIG. 2 is a front elevational view thereof; FIG. 3 is a right side elevational view thereof; FIG. 4 is a left side elevational view thereof; FIG. 5 is a top plan view thereof; FIG. 6 is a bottom plan view thereof; FIG. 7 is a rear elevational view thereof; and, FIG. 8 is a perspective view similar to FIG. 1 with lens extended.

1 Claim, 4 Drawing Sheets

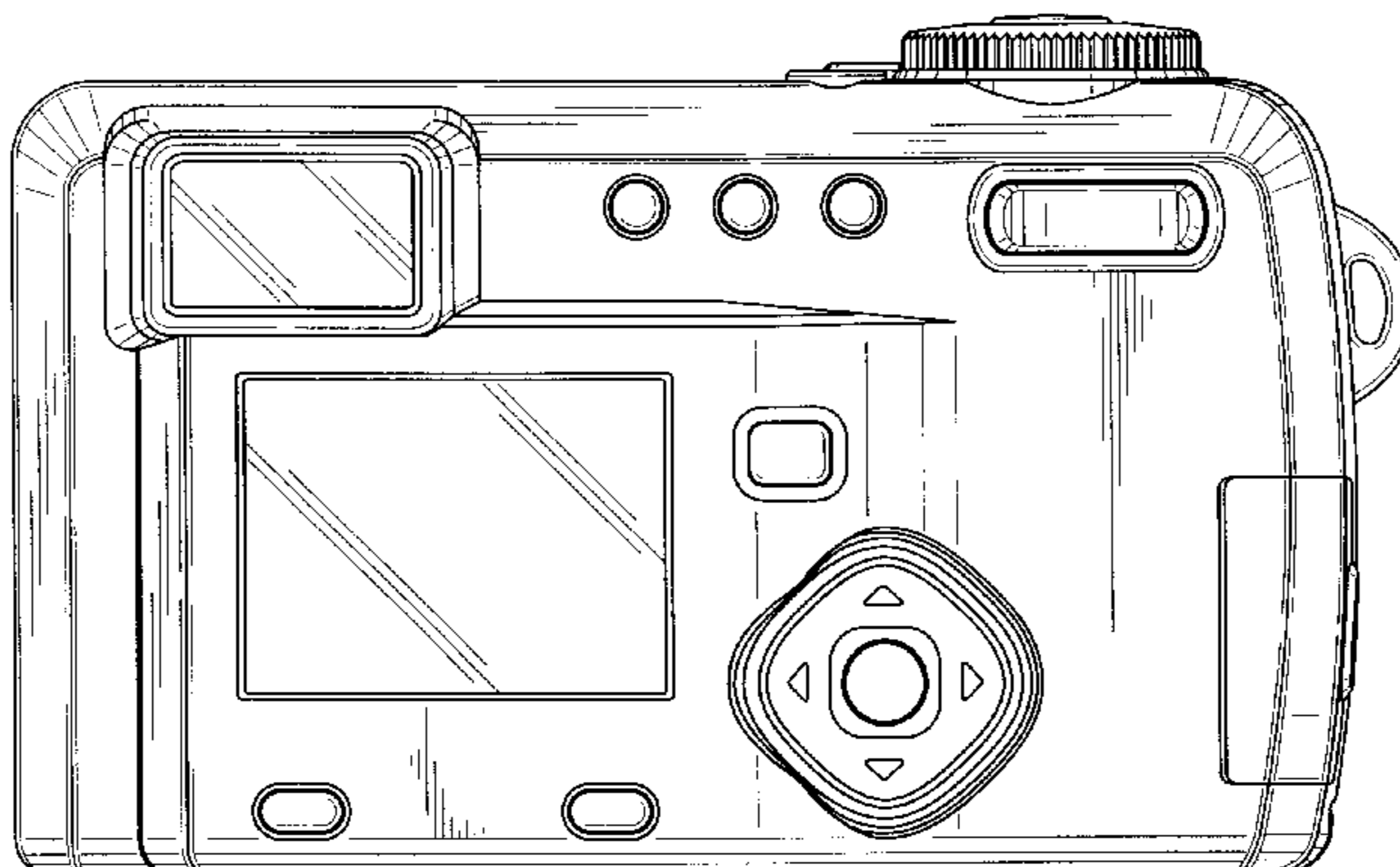
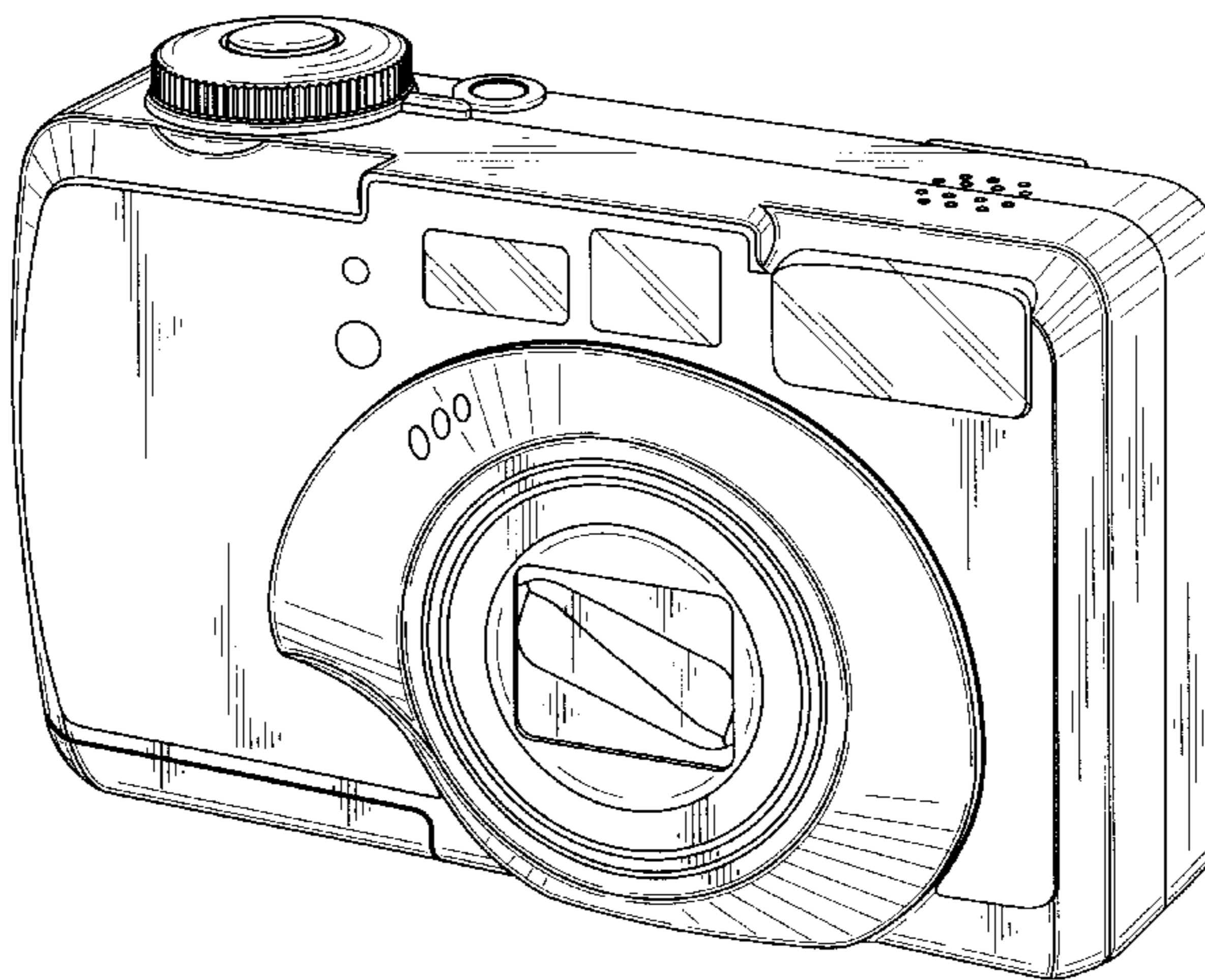


FIG. 1

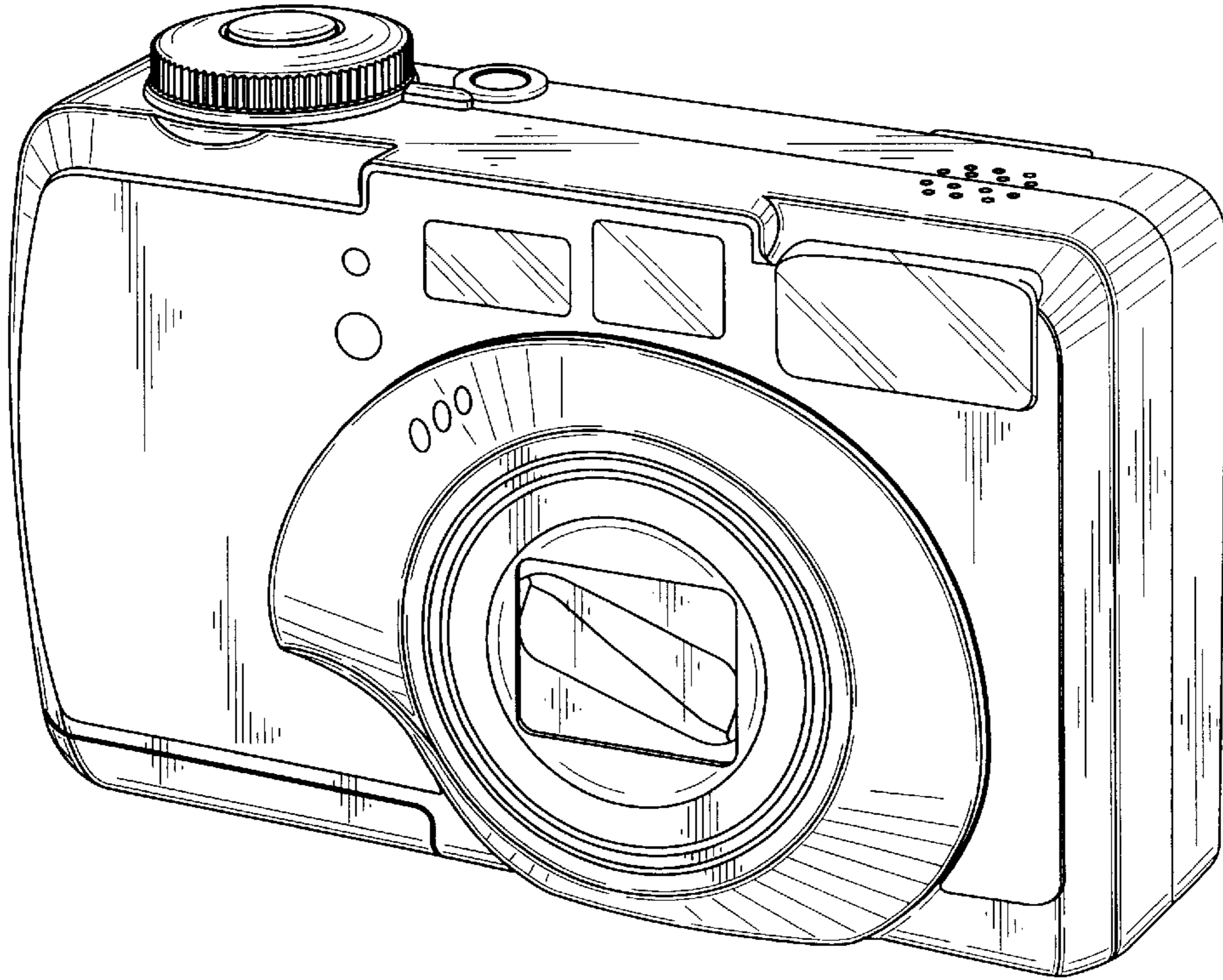


FIG. 2

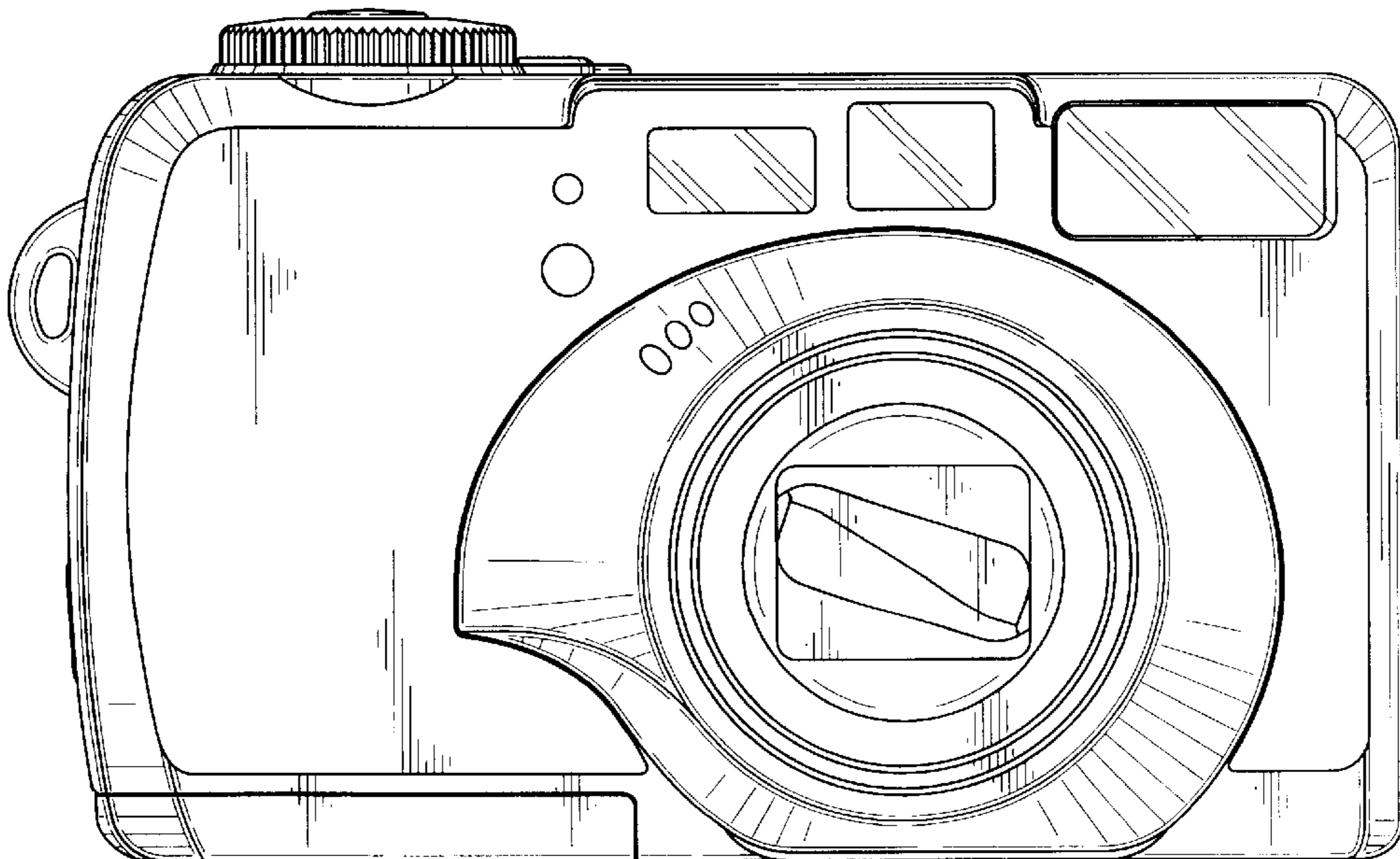


FIG. 3

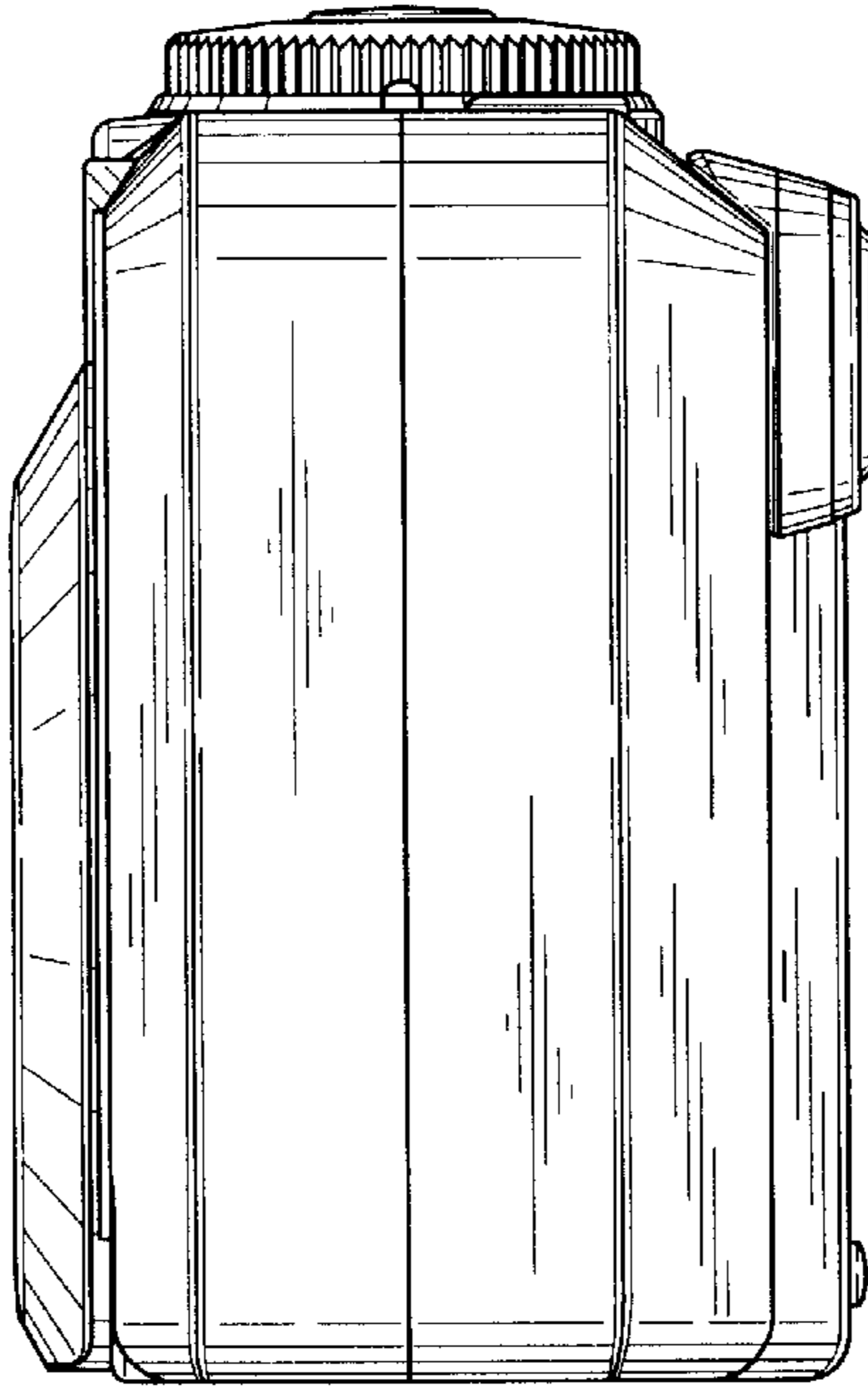


FIG. 4

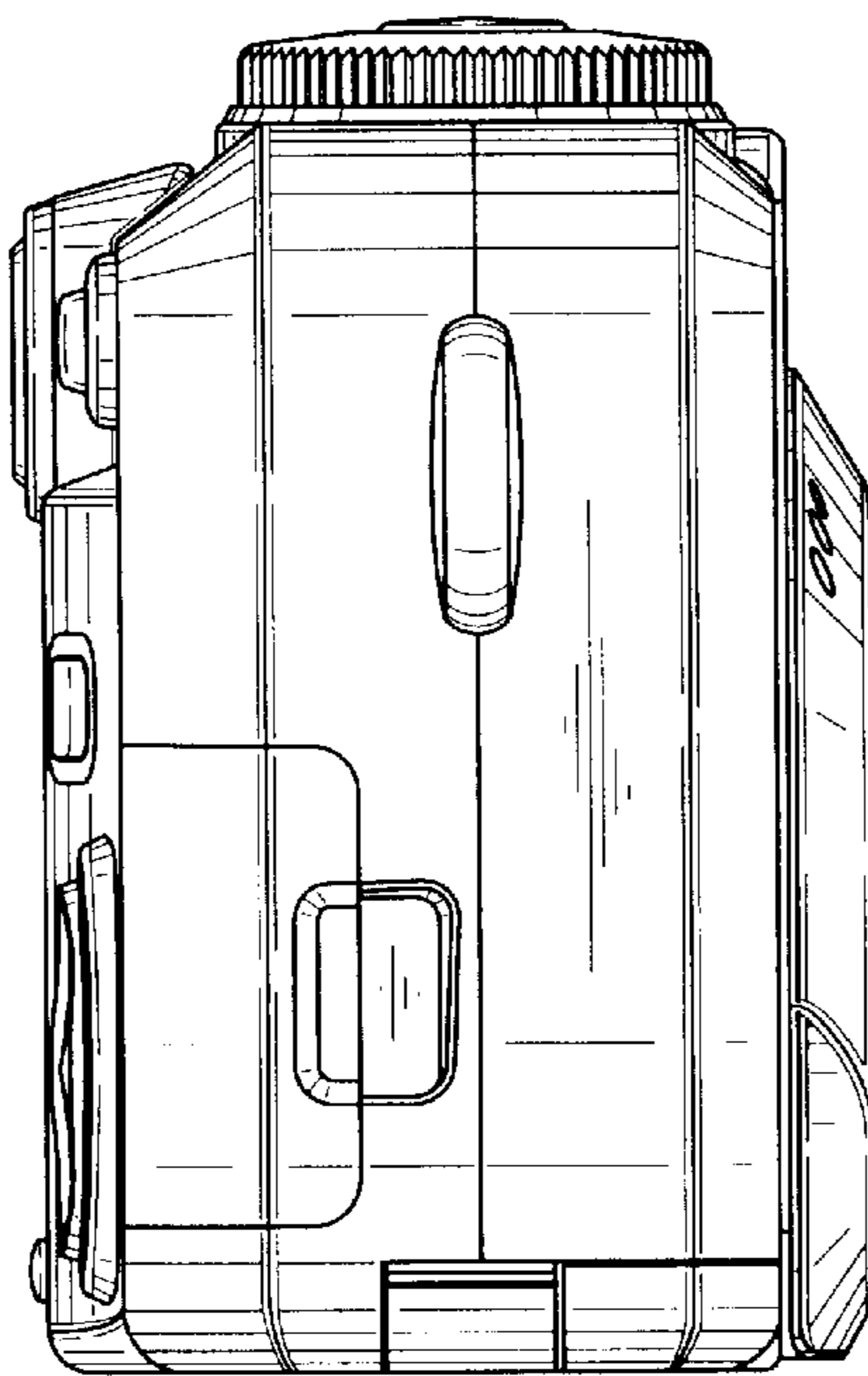


FIG. 5

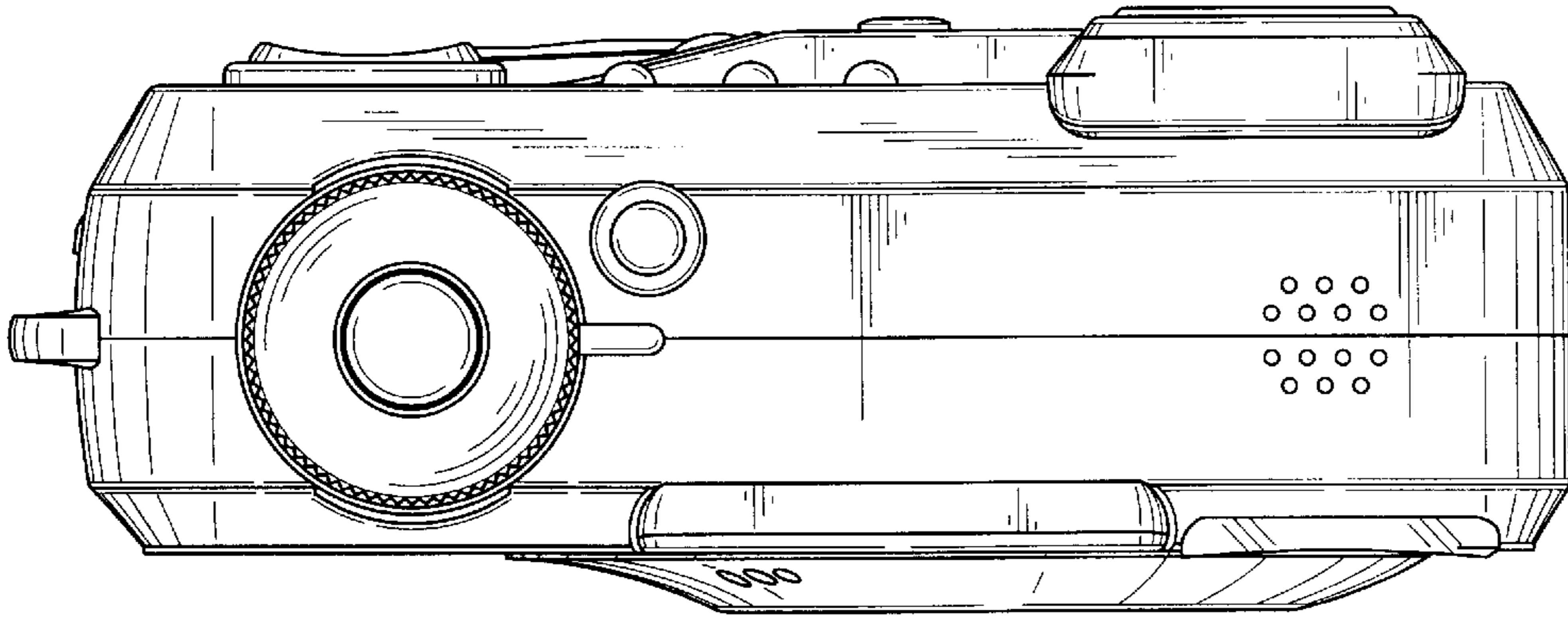


FIG. 6

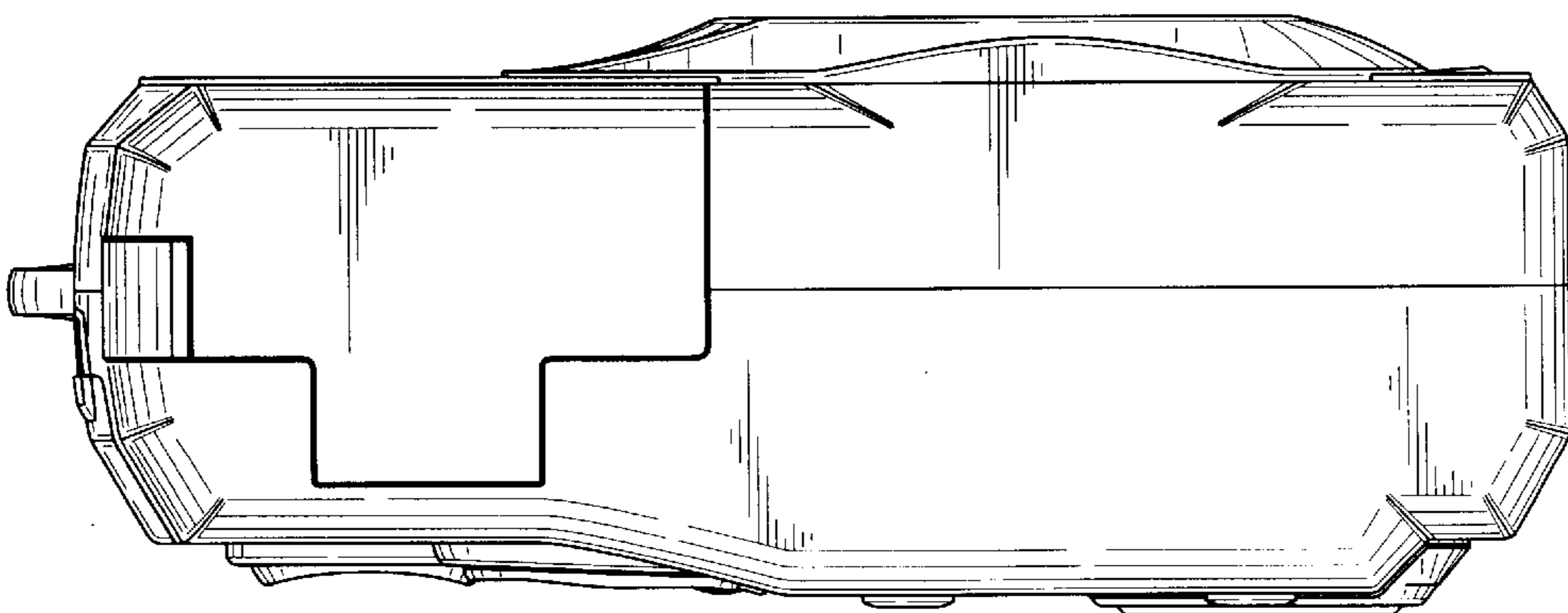


FIG. 7

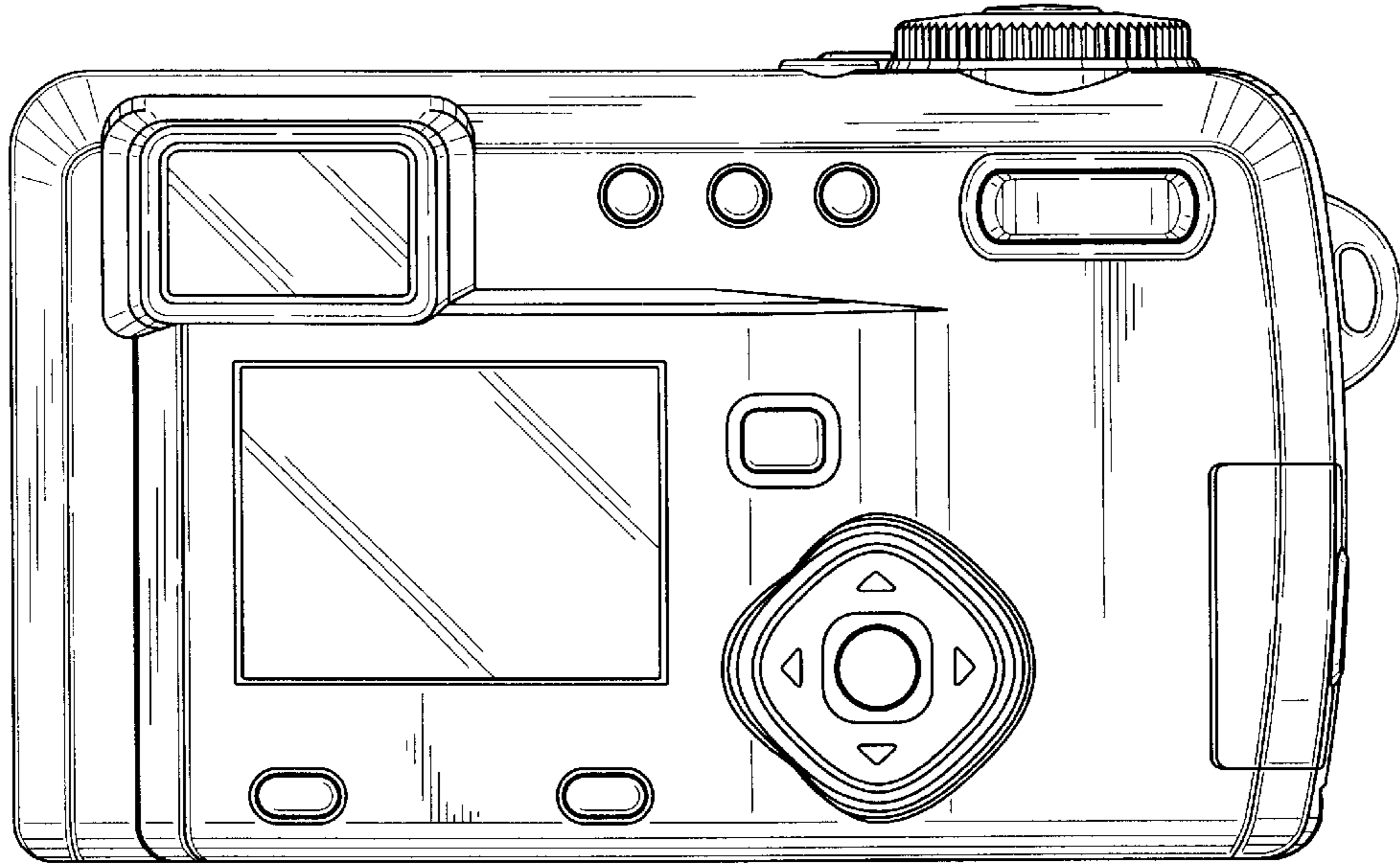


FIG. 8

