



US00D483387S

(12) **United States Design Patent**  
**Chang et al.**

(10) **Patent No.:** **US D483,387 S**

(45) **Date of Patent:** **\*\* Dec. 9, 2003**

(54) **WIRELESS VIDEO CAMERA**

2002/0085844 A1 \* 7/2002 Tashiro ..... 396/427

(75) Inventors: **Hsin-Chung Chang**, Jubei (TW);  
**Ching-Cheng Wu**, Jubei (TW)

**OTHER PUBLICATIONS**

(73) Assignee: **Tranwo Technology Corp.**, Hsinchu  
(TW)

PC camera DC-350, web page [www.computerproducts.globalsources.com/magazine/cp/0109/nppc25.htm](http://www.computerproducts.globalsources.com/magazine/cp/0109/nppc25.htm) (posted Jul. 30, 2001).\*

(\*\*) Term: **14 Years**

\* cited by examiner

(21) Appl. No.: **29/165,325**

*Primary Examiner*—Adir Aronovich

(22) Filed: **Aug. 9, 2002**

(74) *Attorney, Agent, or Firm*—Rosenberg, Klein & Lee

(51) **LOC (7) Cl.** ..... **16-01**

(52) **U.S. Cl.** ..... **D16/202; D16/203**

(58) **Field of Search** ..... **D16/200–205,**  
**D16/208; D14/130; 348/143, 373–376;**  
**358/906, 909.1; 396/427**

(57) **CLAIM**

The ornamental design for a wireless video camera, as shown.

(56) **References Cited**

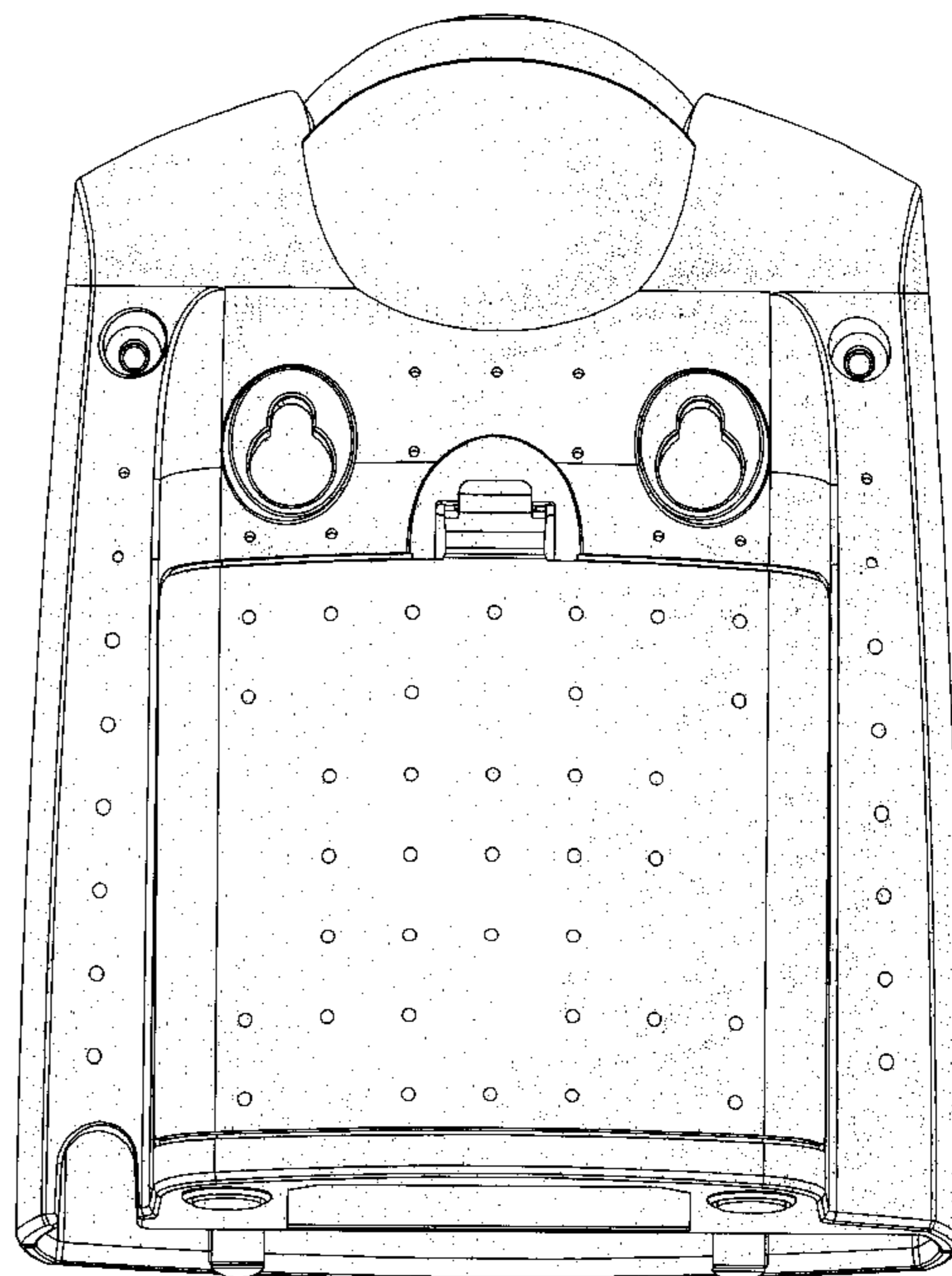
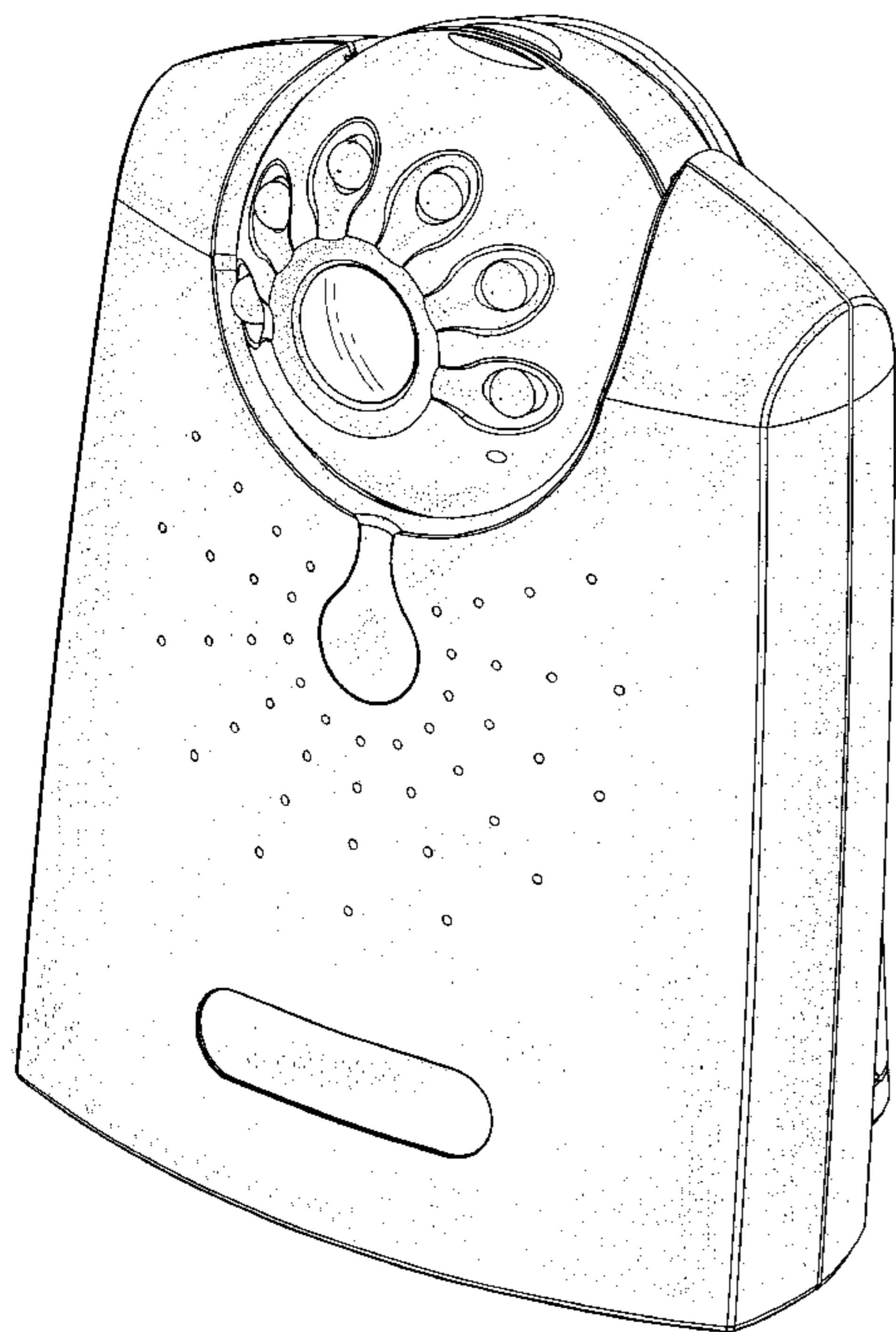
**DESCRIPTION**

**U.S. PATENT DOCUMENTS**

D423,491 S	*	4/2000	Harris et al.	.....	D14/130
D429,743 S	*	8/2000	Renkis	.....	D16/203
D450,071 S	*	11/2001	Funato	.....	D16/202
D470,874 S	*	2/2003	Chiu	.....	D16/202
D472,258 S	*	3/2003	Yin et al.	.....	D16/202
D473,885 S	*	4/2003	Horikiri et al.	.....	D16/202

FIG. 1 is a front and right side perspective view of a wireless video camera embodying our new design; FIG. 2 is a front elevational view thereof; FIG. 3 is a rear elevational view thereof; FIG. 4 is a left elevational view thereof; FIG. 5 is a right elevational view thereof; FIG. 6 is a top elevational view thereof; and, FIG. 7 is a bottom elevational view thereof.

**1 Claim, 7 Drawing Sheets**



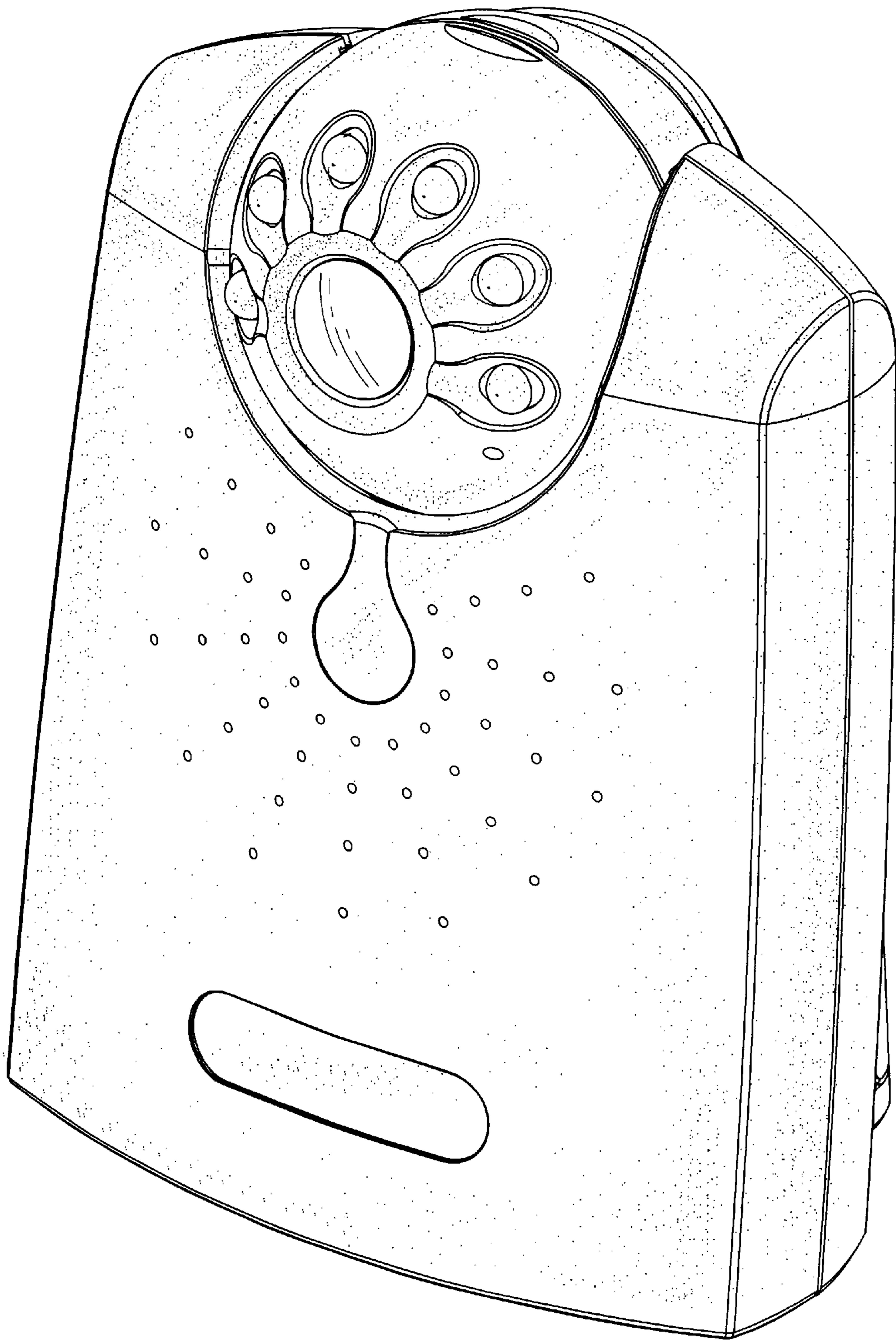


FIG. 1

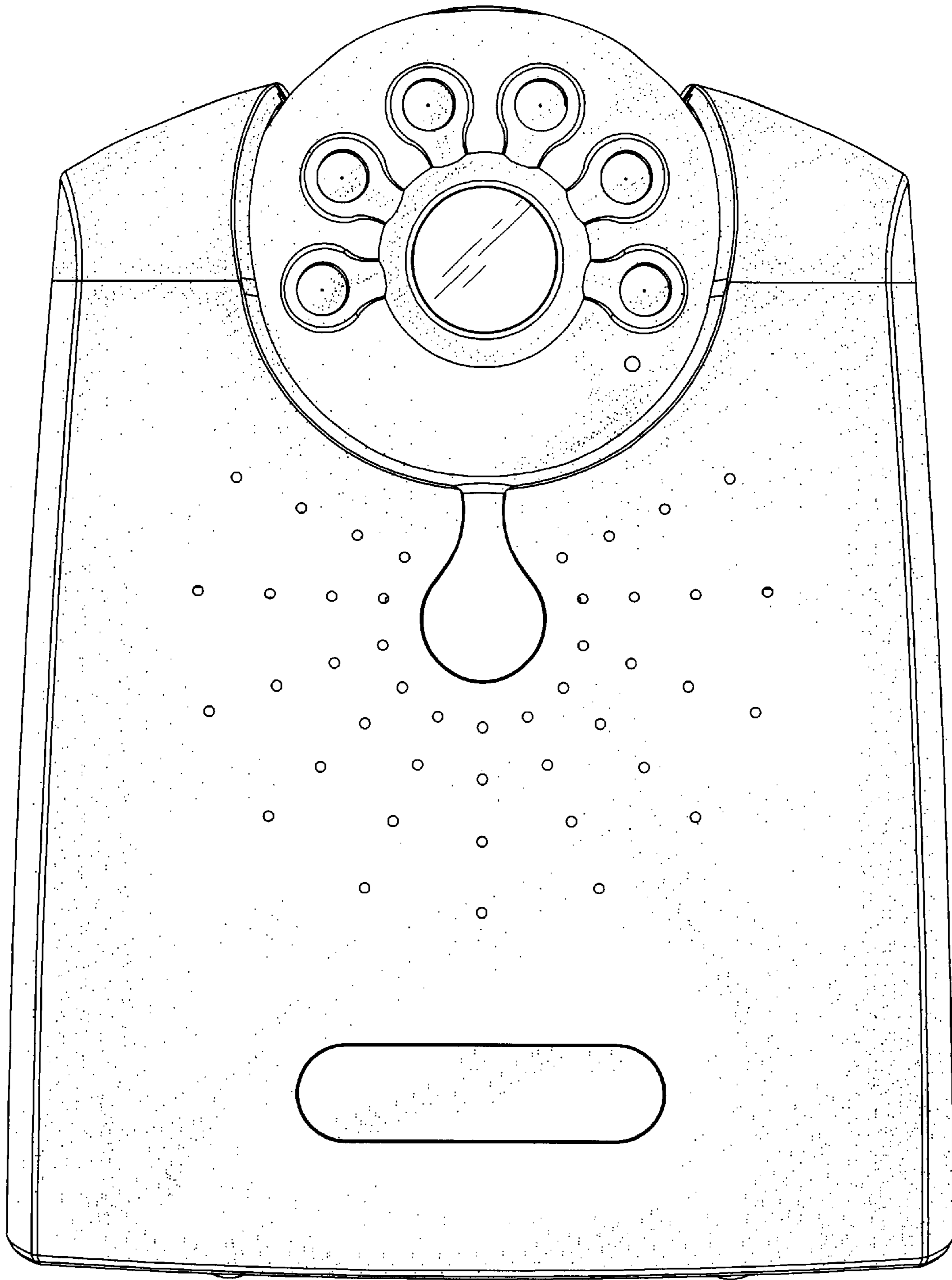


FIG. 2

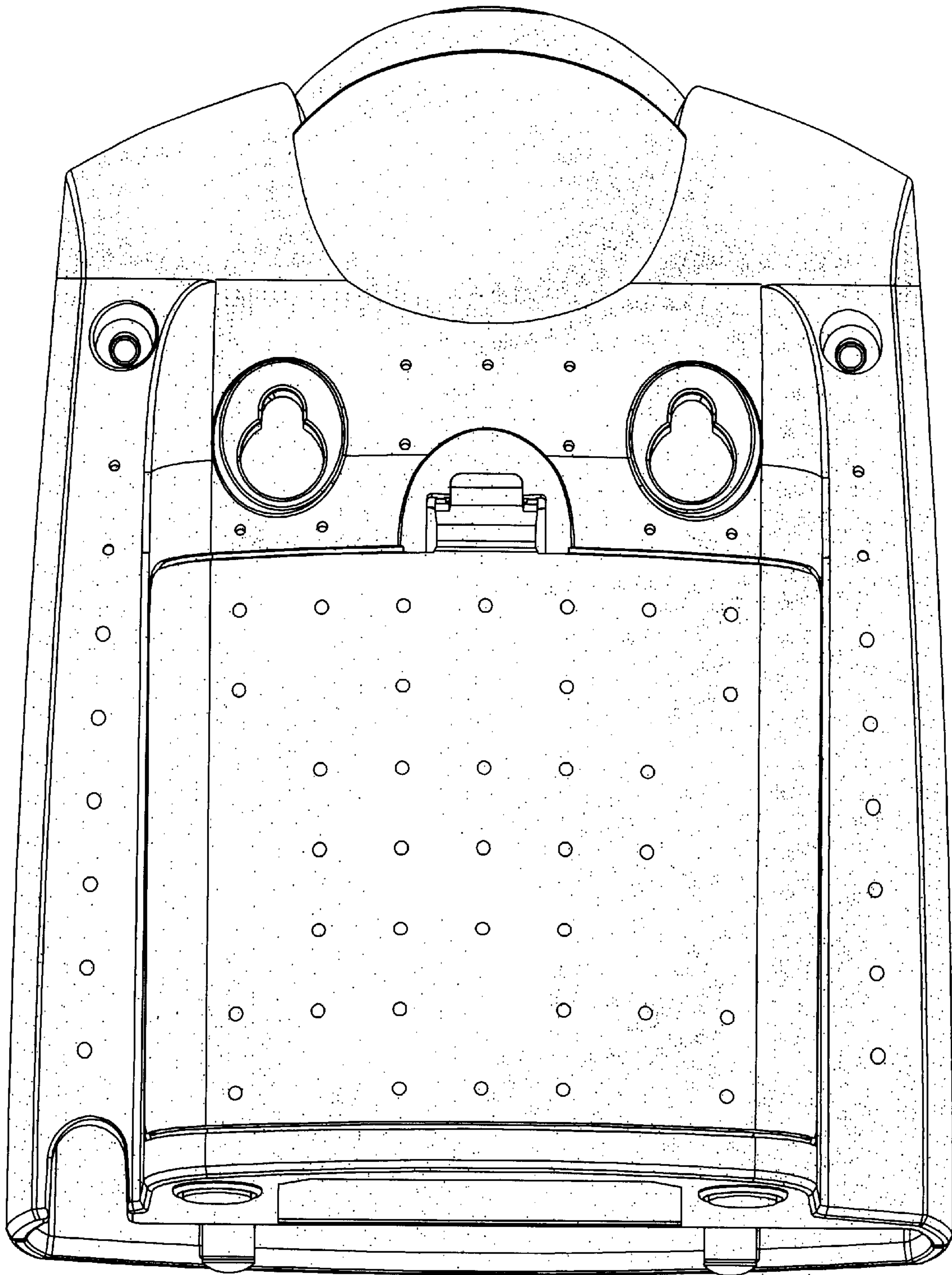


FIG. 3

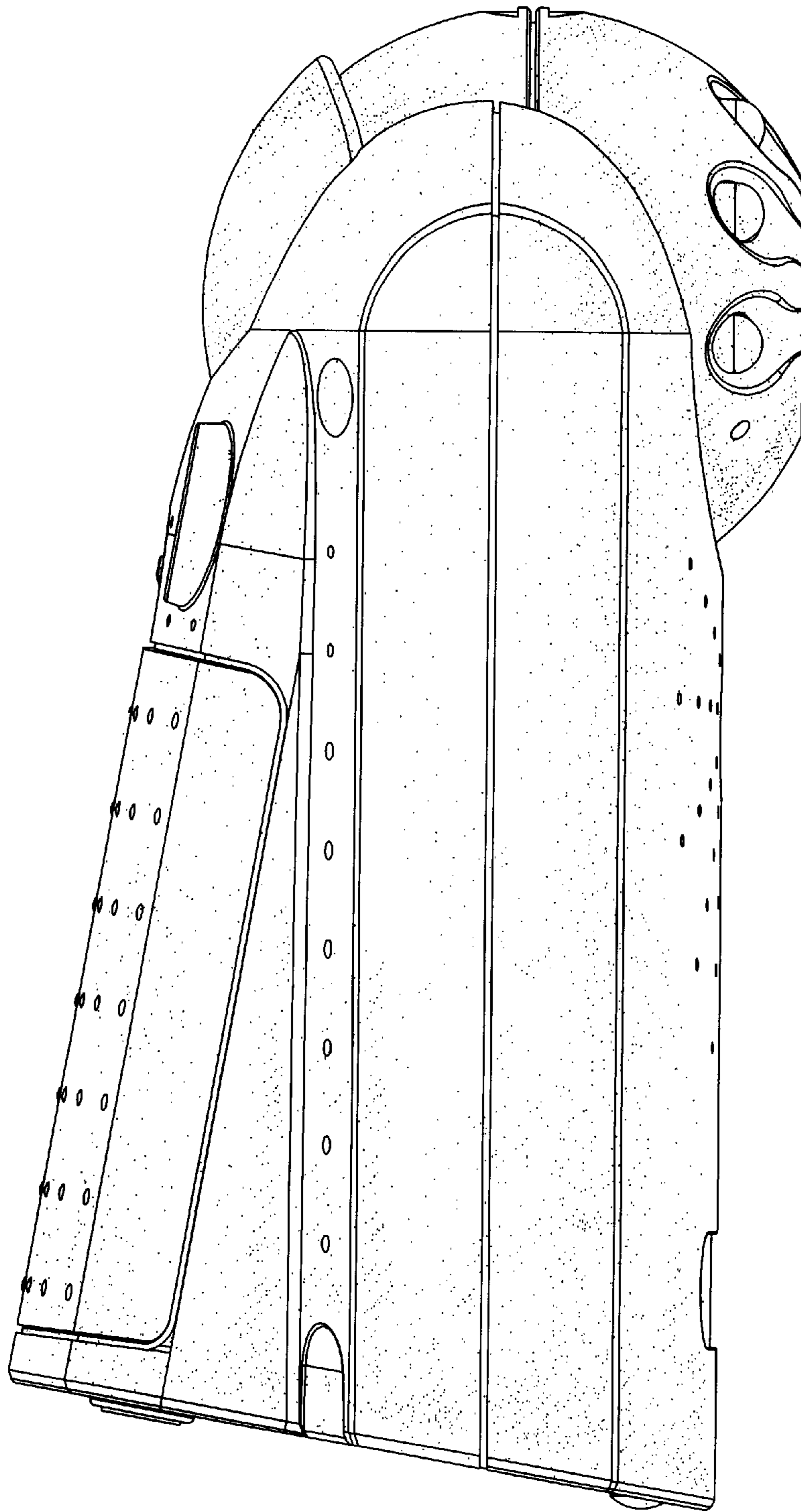


FIG. 4

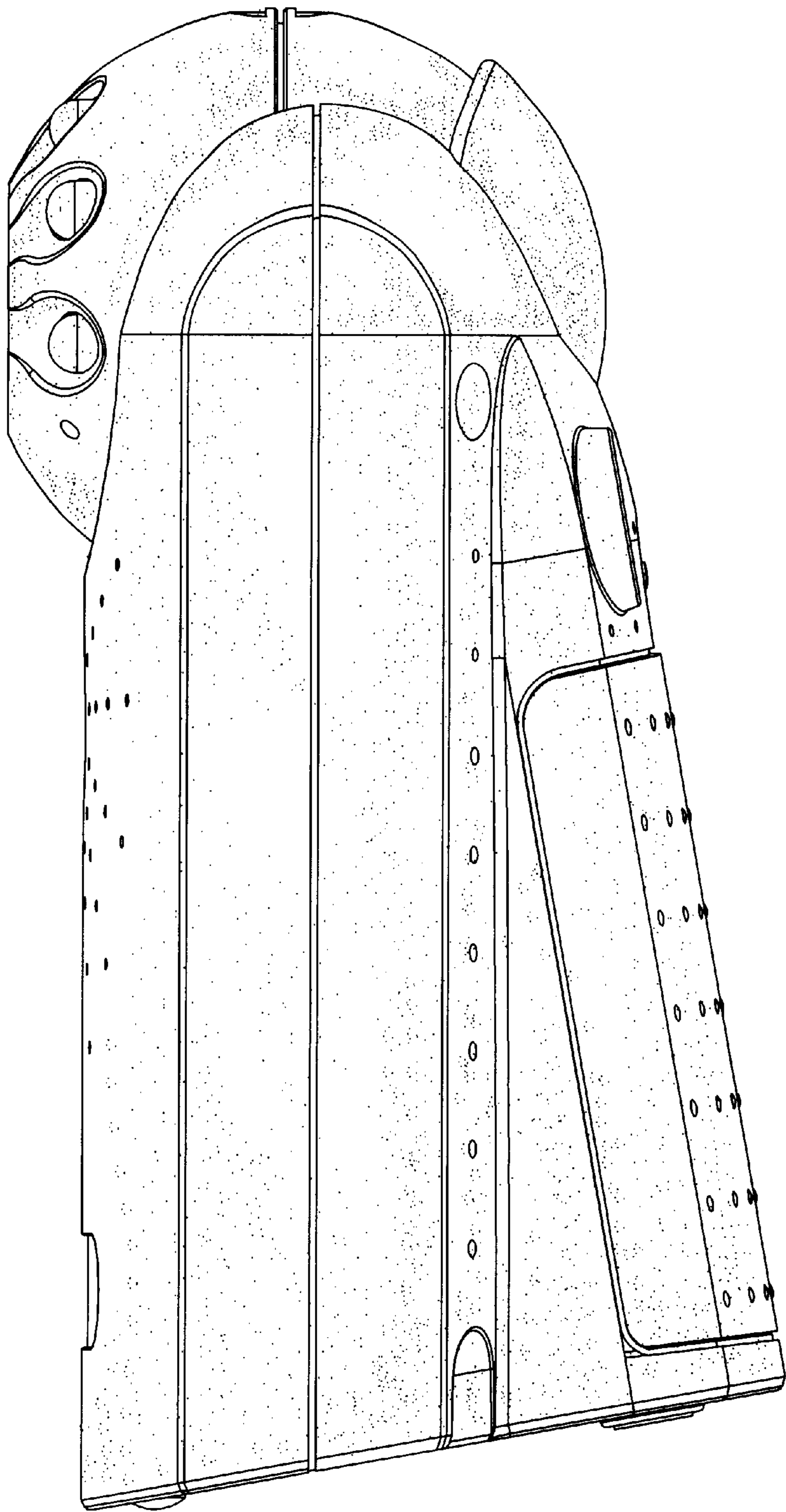


FIG. 5

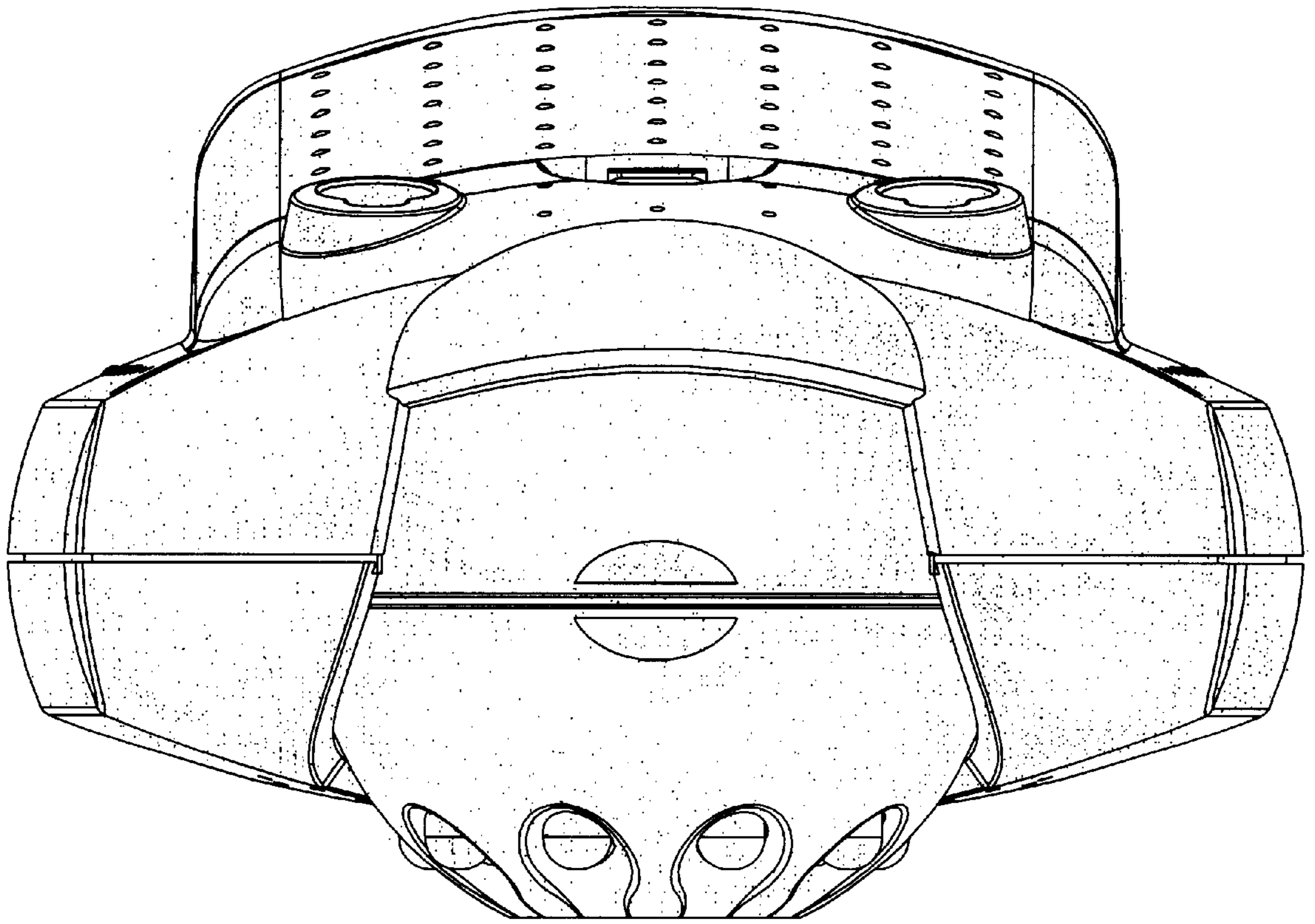


FIG. 6

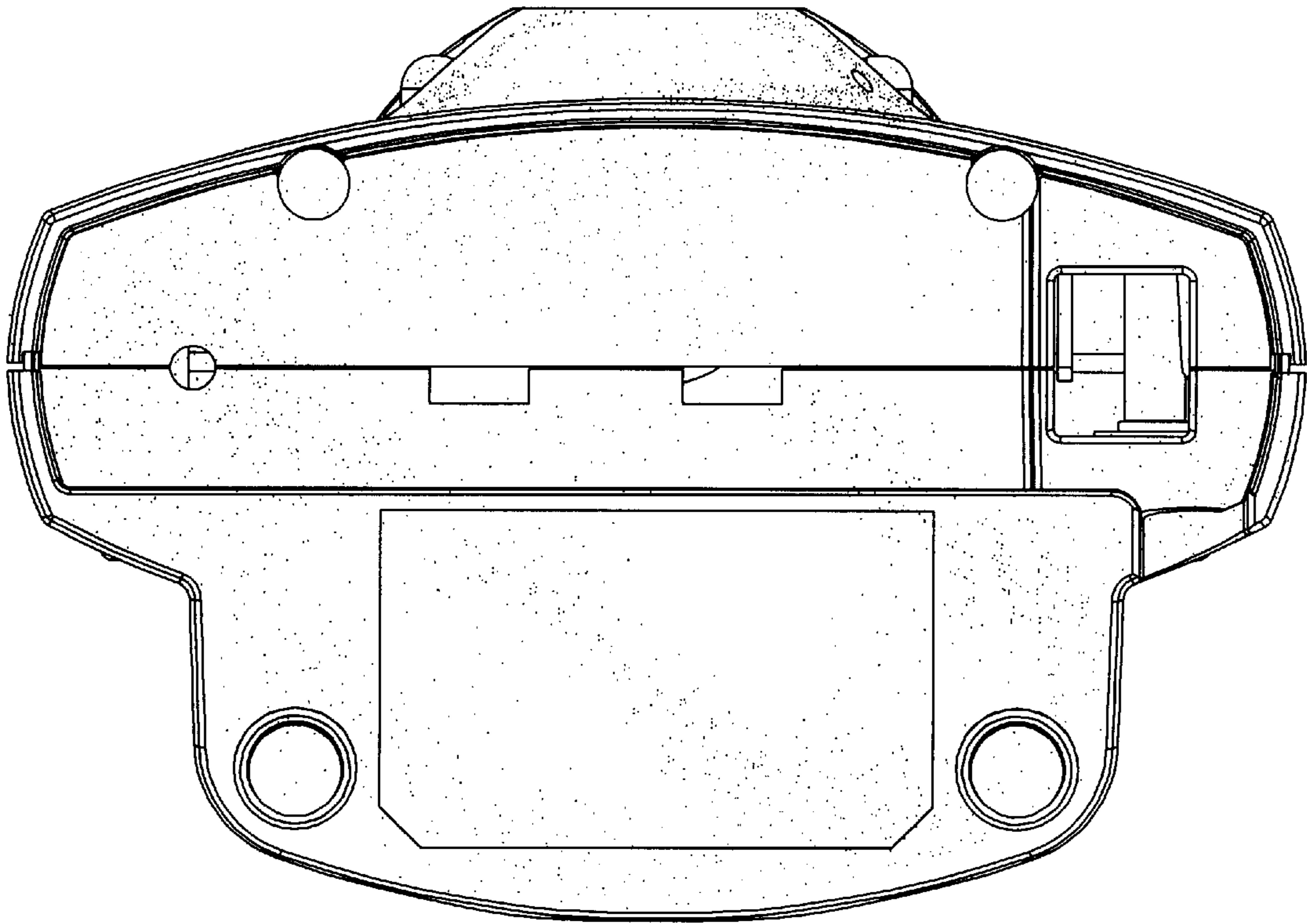


FIG. 7