



US00D483386S

(12) **United States Design Patent**
Narducci et al.

(10) **Patent No.:** **US D483,386 S**

(45) **Date of Patent:** **** Dec. 9, 2003**

(54) **DIGITAL CAMERA ACCESSORY**

(75) Inventors: **David S. Narducci**, Lake Worth, FL (US); **Charles A. Actor**, Boca Raton, FL (US); **Paul Fordham**, Lake Worth, FL (US); **Deepak R. Mody**, Parkland, FL (US)

(73) Assignee: **Motorola, Inc.**, Schaumburg, IL (US)

(**) Term: **14 Years**

(21) Appl. No.: **29/161,656**

(22) Filed: **May 31, 2002**

(51) **LOC (7) Cl.** **16-01**

(52) **U.S. Cl.** **D16/202; D16/208**

(58) **Field of Search** **D16/200-205, D16/208, 218; D14/130, 144, 240; 348/14.01-14.1, 373-376; 396/535-541**

(56) **References Cited**

U.S. PATENT DOCUMENTS

D355,205 S * 2/1995 Yokoi D16/202
D355,920 S * 2/1995 Shinano D16/202
D374,023 S * 9/1996 Beck et al. D16/202

D374,242 S * 10/1996 Yamanouchi D16/202
D400,549 S * 11/1998 Wakefield D16/202
D416,930 S * 11/1999 Choi D16/203
D433,046 S * 10/2000 Hall et al. D16/202

* cited by examiner

Primary Examiner—Adir Aronovich

(74) *Attorney, Agent, or Firm*—Randi L. Dulaney

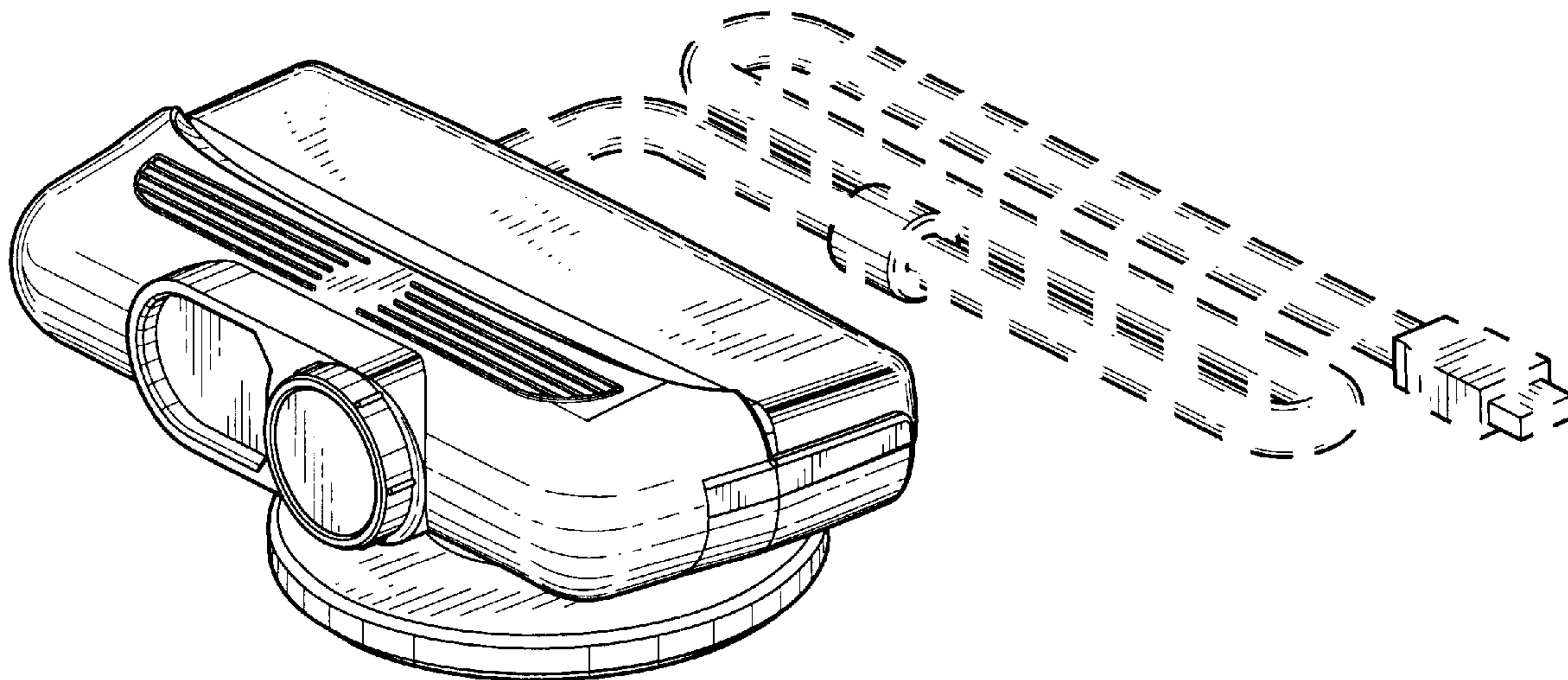
(57) **CLAIM**

The ornamental design for a digital camera accessory, as shown and described.

DESCRIPTION

FIG. 1 is a top plan view of a digital camera accessory showing our new design; FIG. 2 is a bottom plan view thereof; FIG. 3 is a front elevational view thereof; FIG. 4 is a rear elevational view thereof; FIG. 5 is a right side elevational view thereof; FIG. 6 is a left side elevational view thereof; and, FIG. 7 is a top, right side perspective view thereof. The broken lines shown in FIGS. 1-7 are included for the purpose of illustrating environmental elements only and form no part of the claimed design.

1 Claim, 4 Drawing Sheets



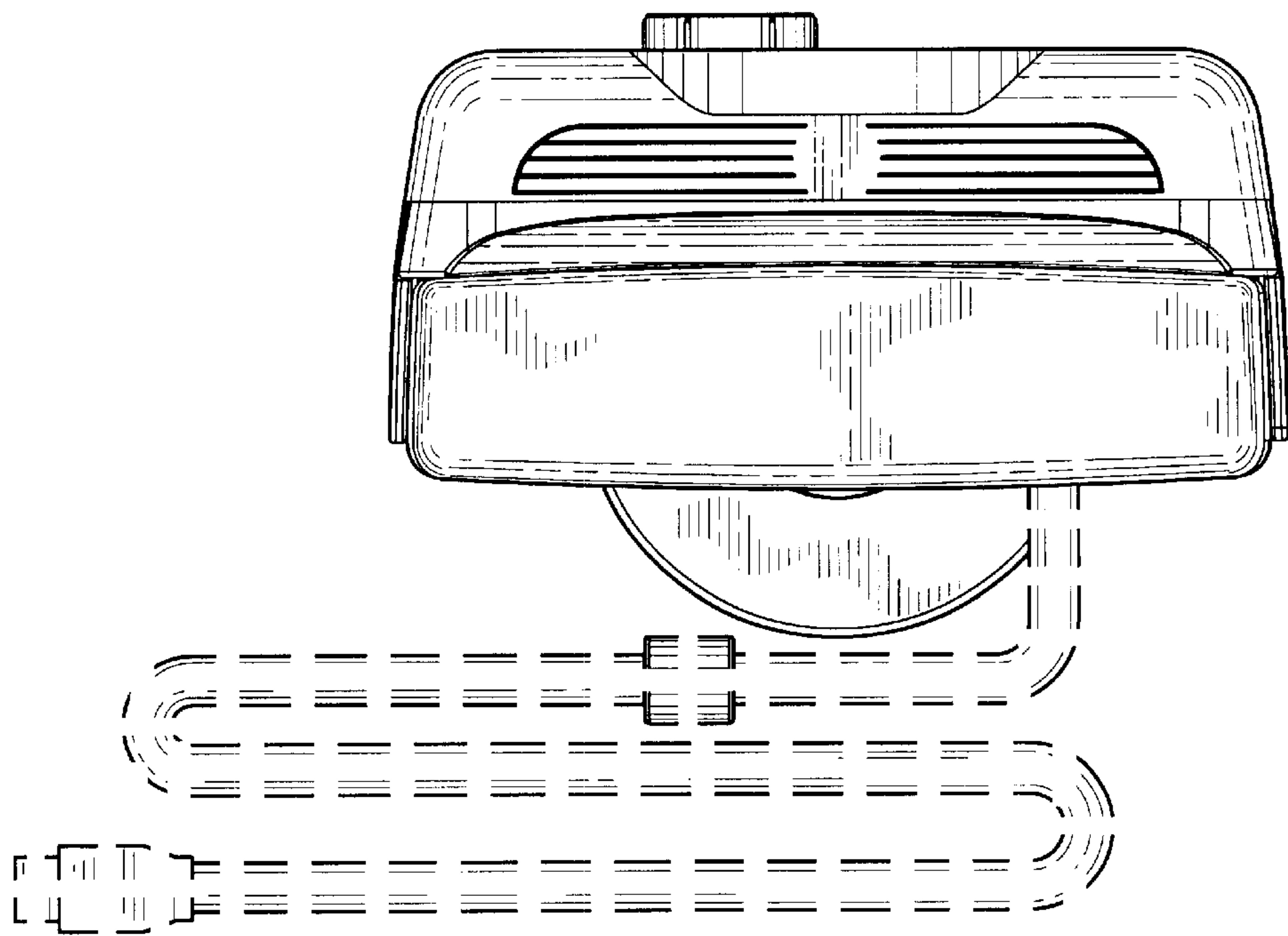


FIG. 1

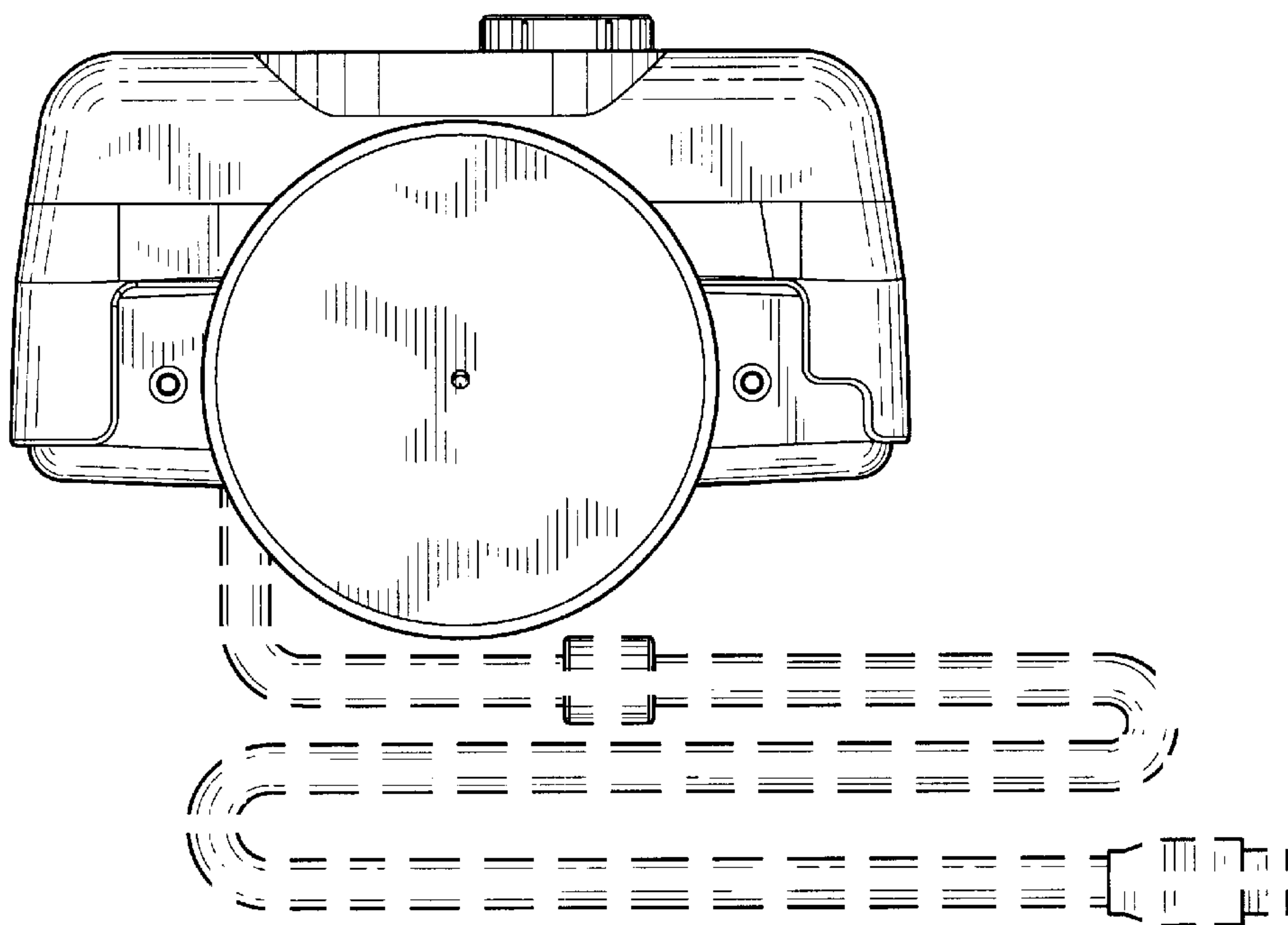


FIG. 2

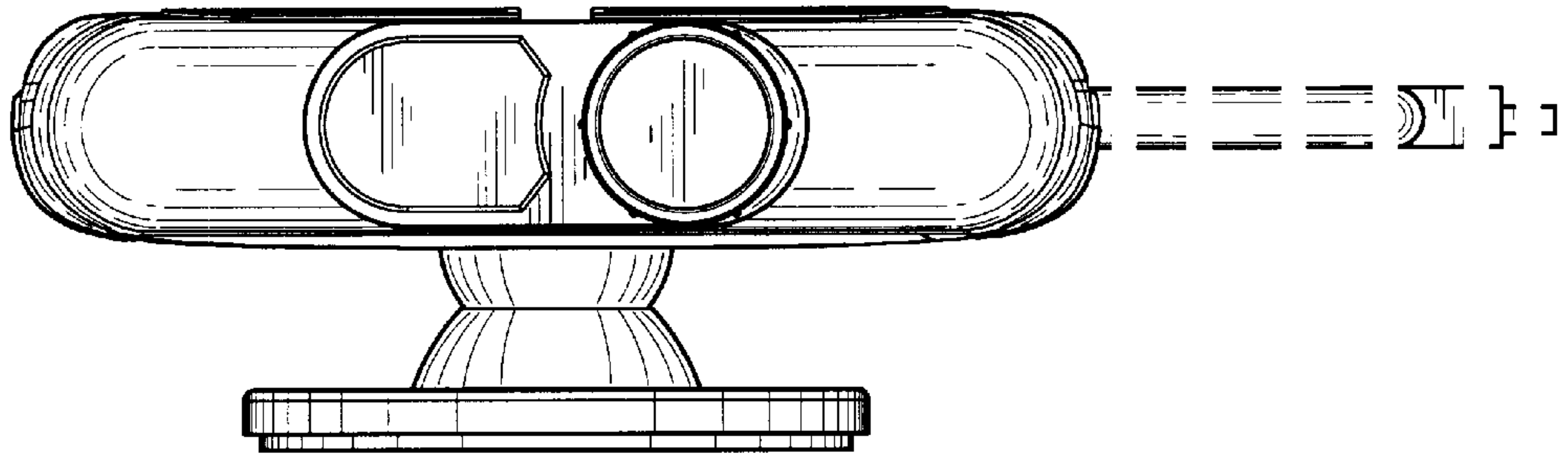


FIG. 3

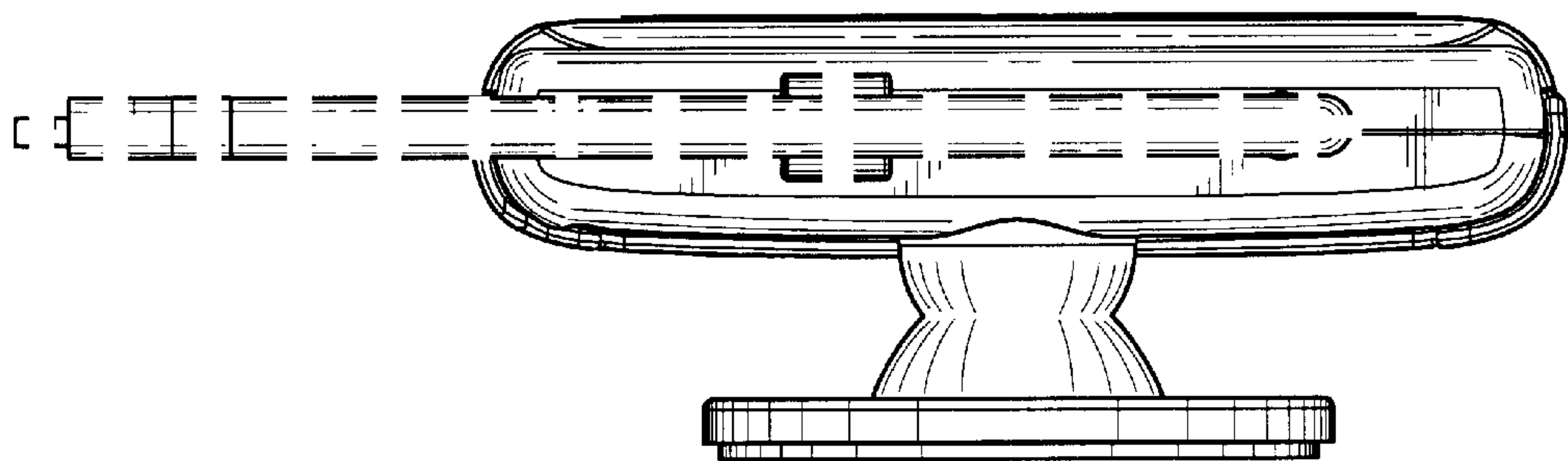


FIG. 4

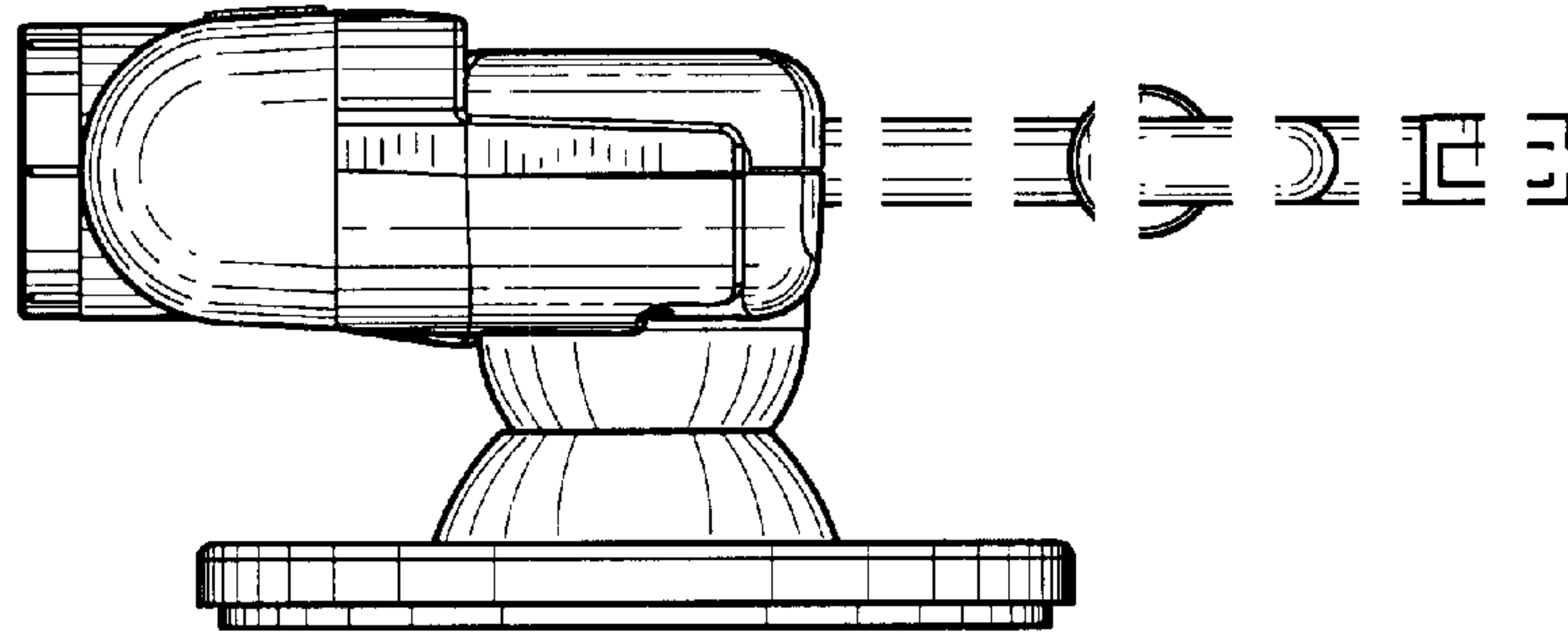


FIG. 5

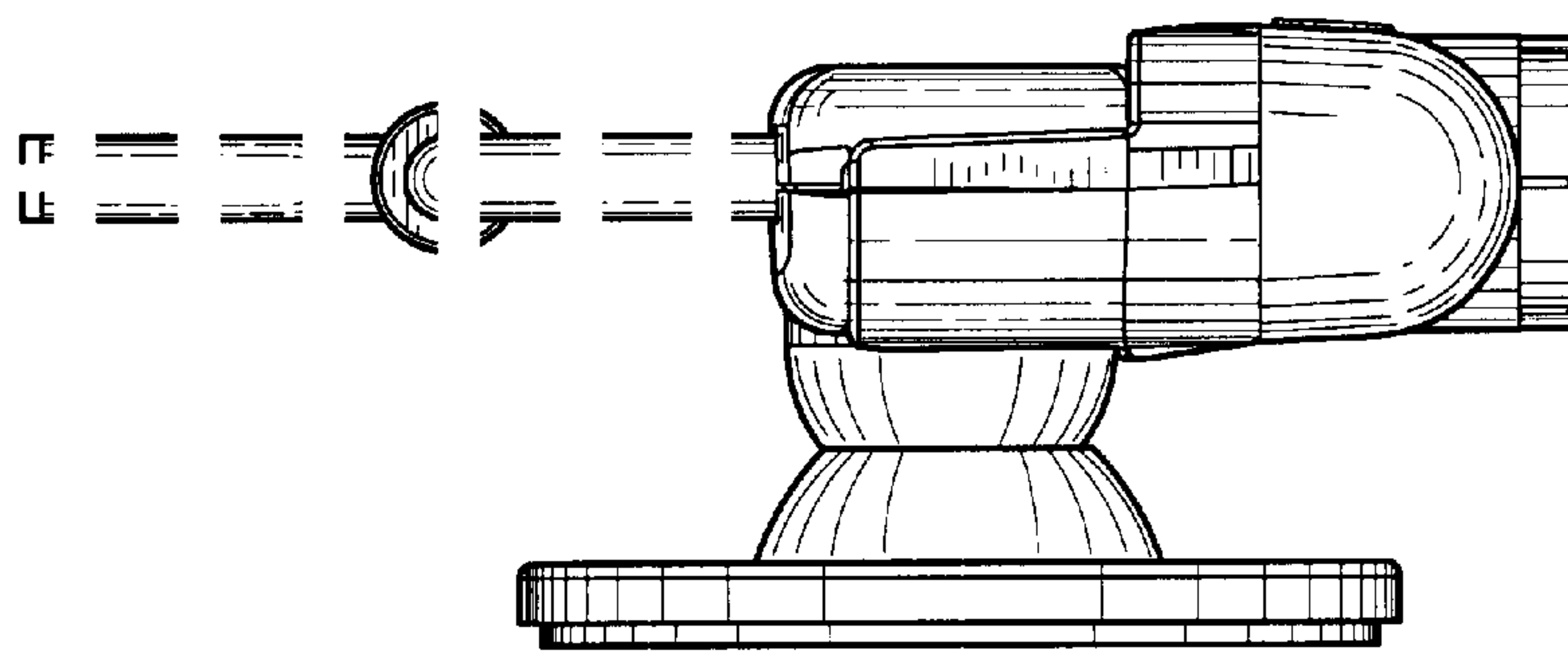


FIG. 6

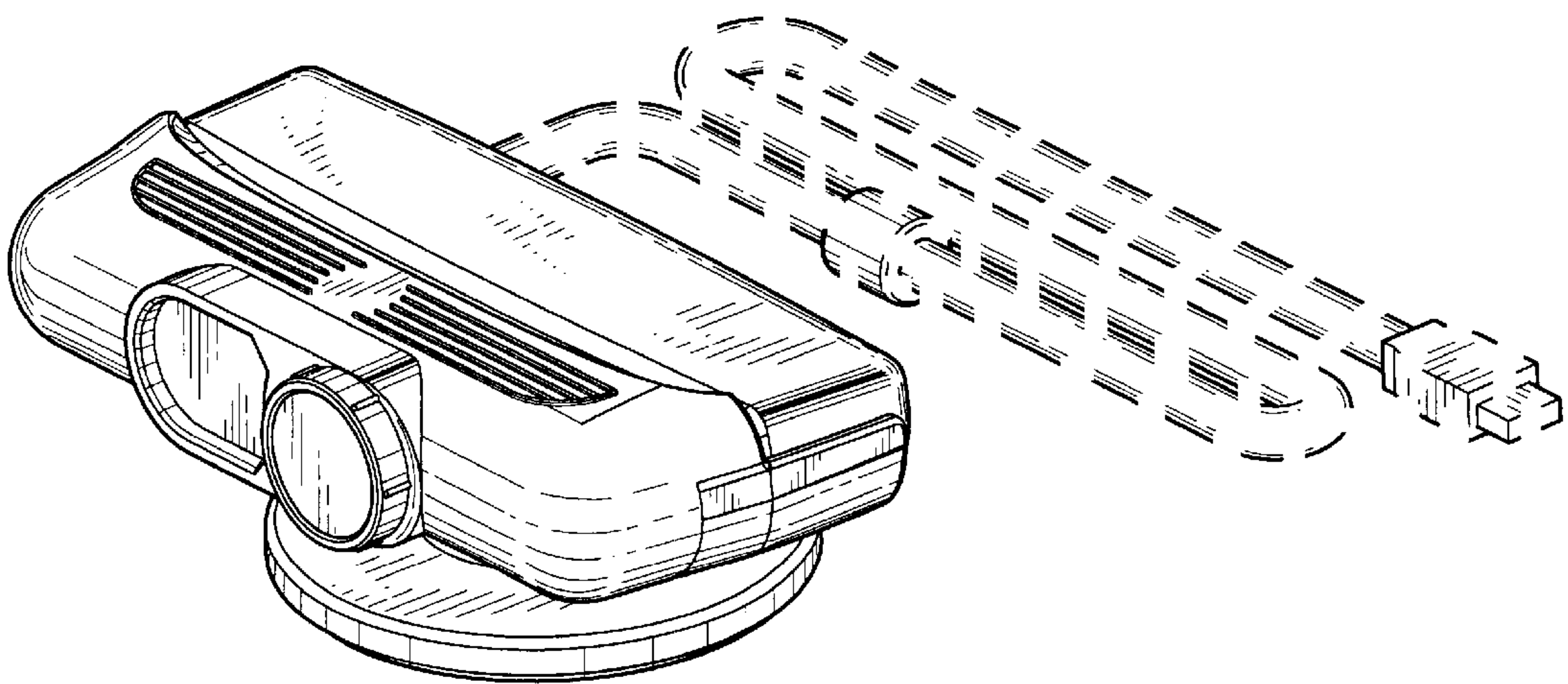


FIG. 7