



US00D483384S

(12) **United States Design Patent**  
**Becke**

(10) **Patent No.:** **US D483,384 S**

(45) **Date of Patent:** **\*\* Dec. 9, 2003**

(54) **REFRIGERATOR SHELF**

(75) **Inventor:** **Christoph Becke**, Grosskarolinenfeld (DE)

(73) **Assignee:** **BSH Bosch und Siemens Hausgerate GmbH**, Munich (DE)

(\*\*) **Term:** **14 Years**

(21) **Appl. No.:** **29/170,447**

(22) **Filed:** **Nov. 6, 2002**

(30) **Foreign Application Priority Data**

May 6, 2002 (WO) ..... DM/060 179

(51) **LOC (7) Cl.** ..... **15-07**

(52) **U.S. Cl.** ..... **D15/89**

(58) **Field of Search** ..... D15/79-91; 62/440, 62/444, 445; 312/116, 139.2, 236, 128.32, 401, 402, 405.1, 480, 321

(56) **References Cited**

**U.S. PATENT DOCUMENTS**

D246,978 S \* 1/1978 Armstrong ..... D15/89

5,160,191 A \* 11/1992 Holland et al. .... 312/405.1  
D342,743 S \* 12/1993 Renner ..... D15/91  
D344,739 S \* 3/1994 Edman et al. .... D15/89  
5,375,924 A \* 12/1994 Pohl et al. .... 312/405.1

\* cited by examiner

*Primary Examiner*—Mitchell Siegel

(74) *Attorney, Agent, or Firm*—Laurence A. Greenberg; Werner H. Stemer; Gregory L. Mayback

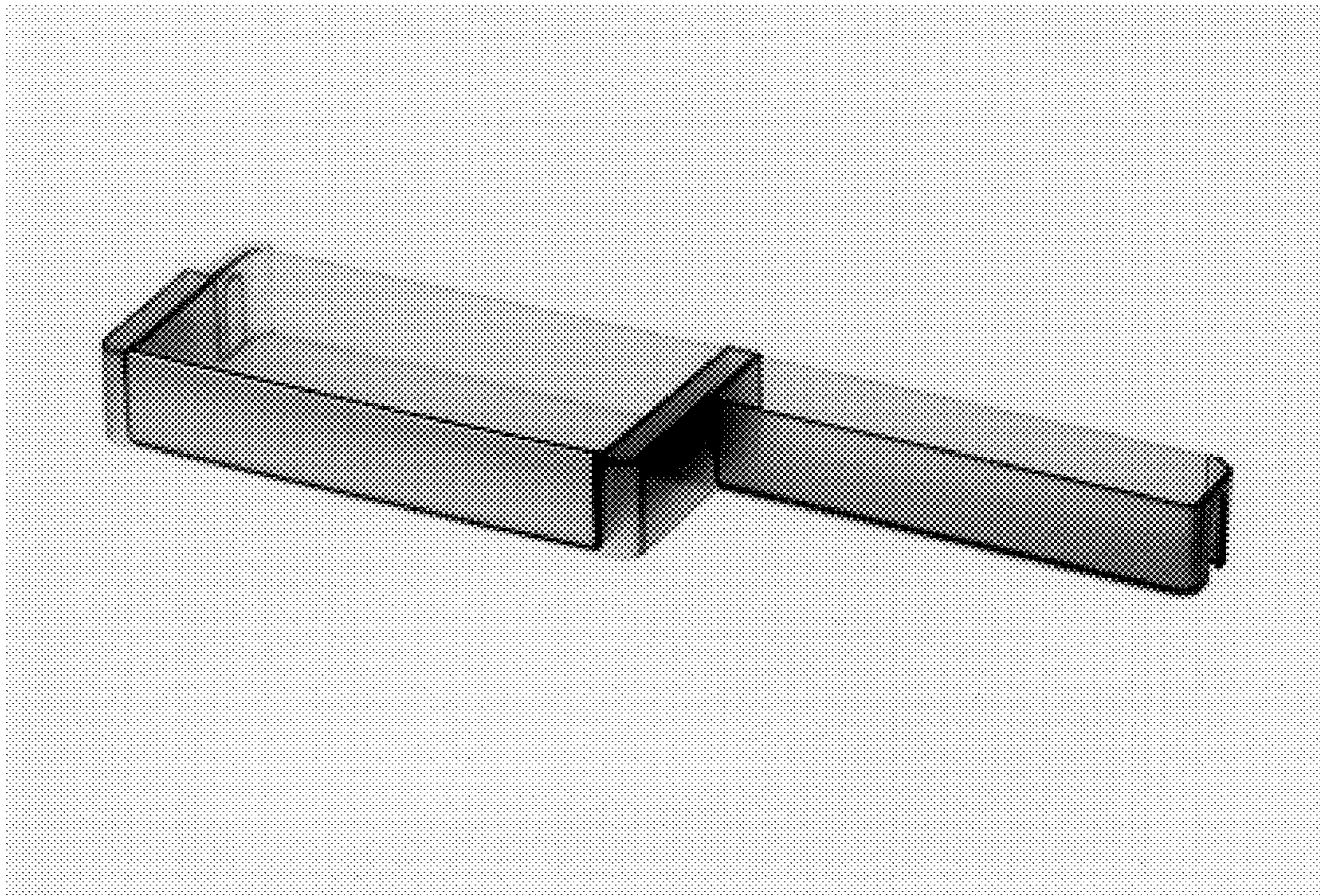
(57) **CLAIM**

The ornamental design for a refrigerator shelf, as shown and described.

**DESCRIPTION**

FIG. 1 is a front, top, left perspective view of the refrigerator shelf;  
FIG. 2 is a bottom view thereof;  
FIG. 3 is a front view thereof;  
FIG. 4 is a left-side view thereof;  
FIG. 5 is a bottom, rear, right perspective view thereof;  
FIG. 6 is a top view thereof;  
FIG. 7 is a rear view thereof; and,  
FIG. 8 is right-side view thereof.

**1 Claim, 4 Drawing Sheets**



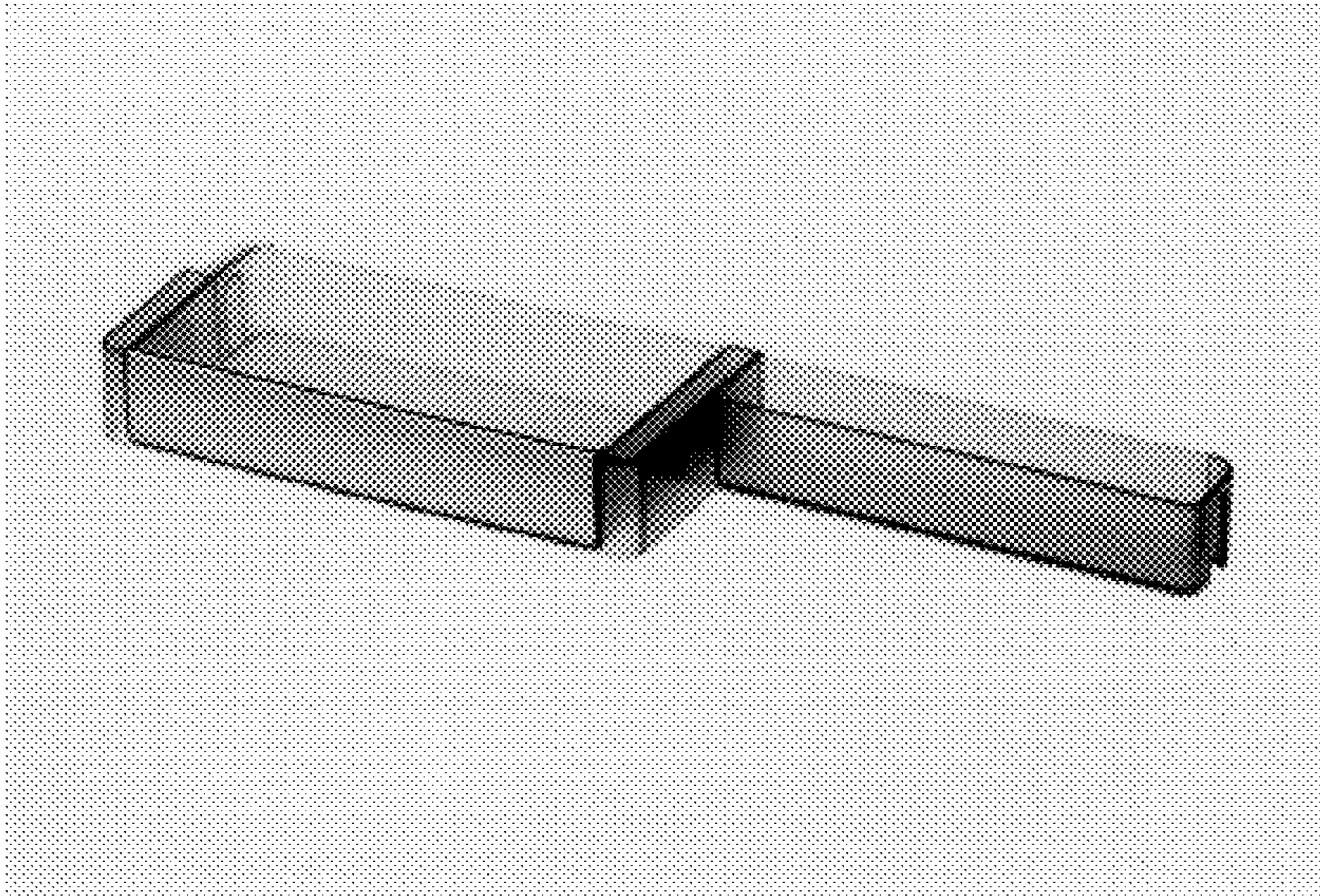


FIG. 1

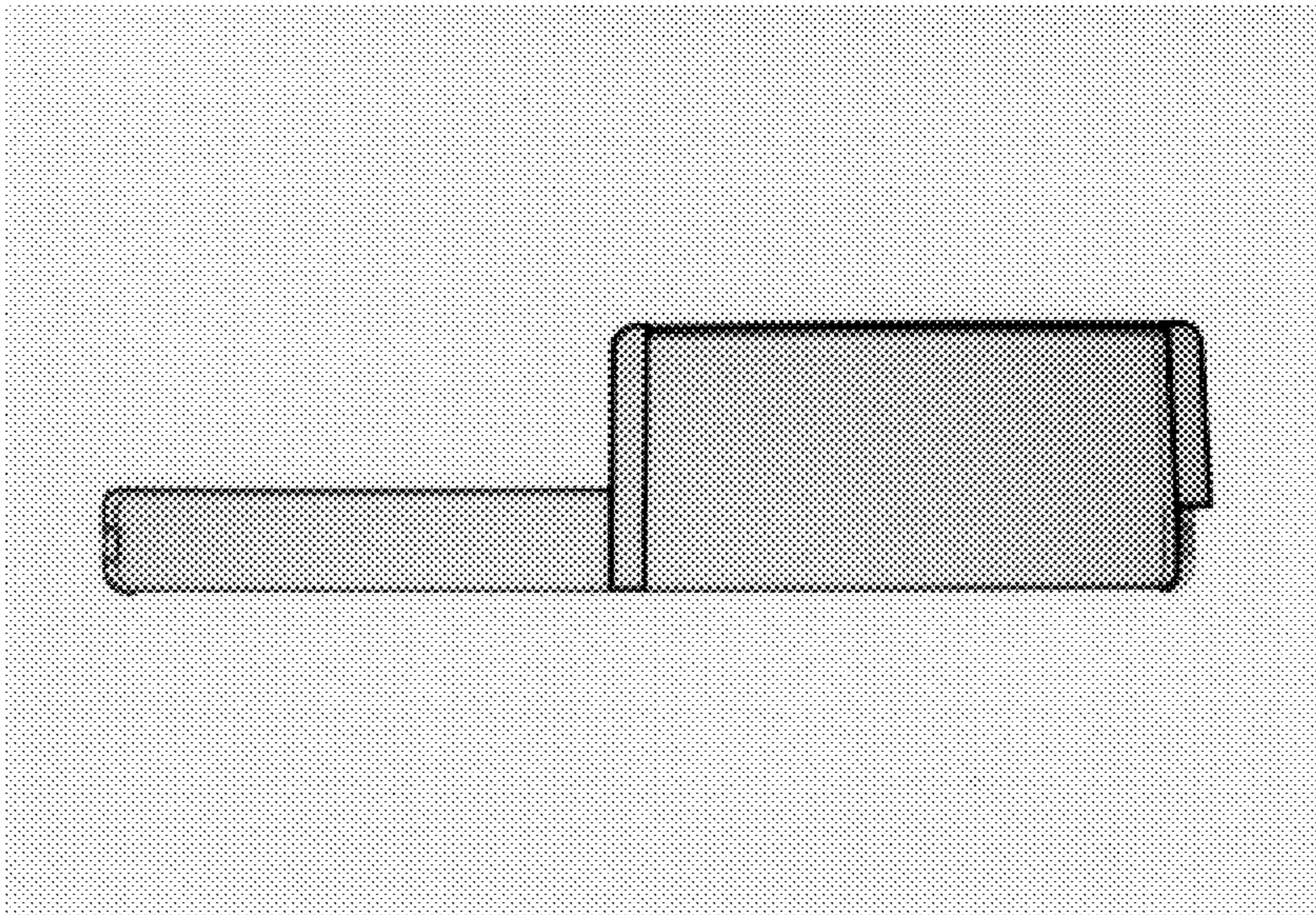


FIG. 2

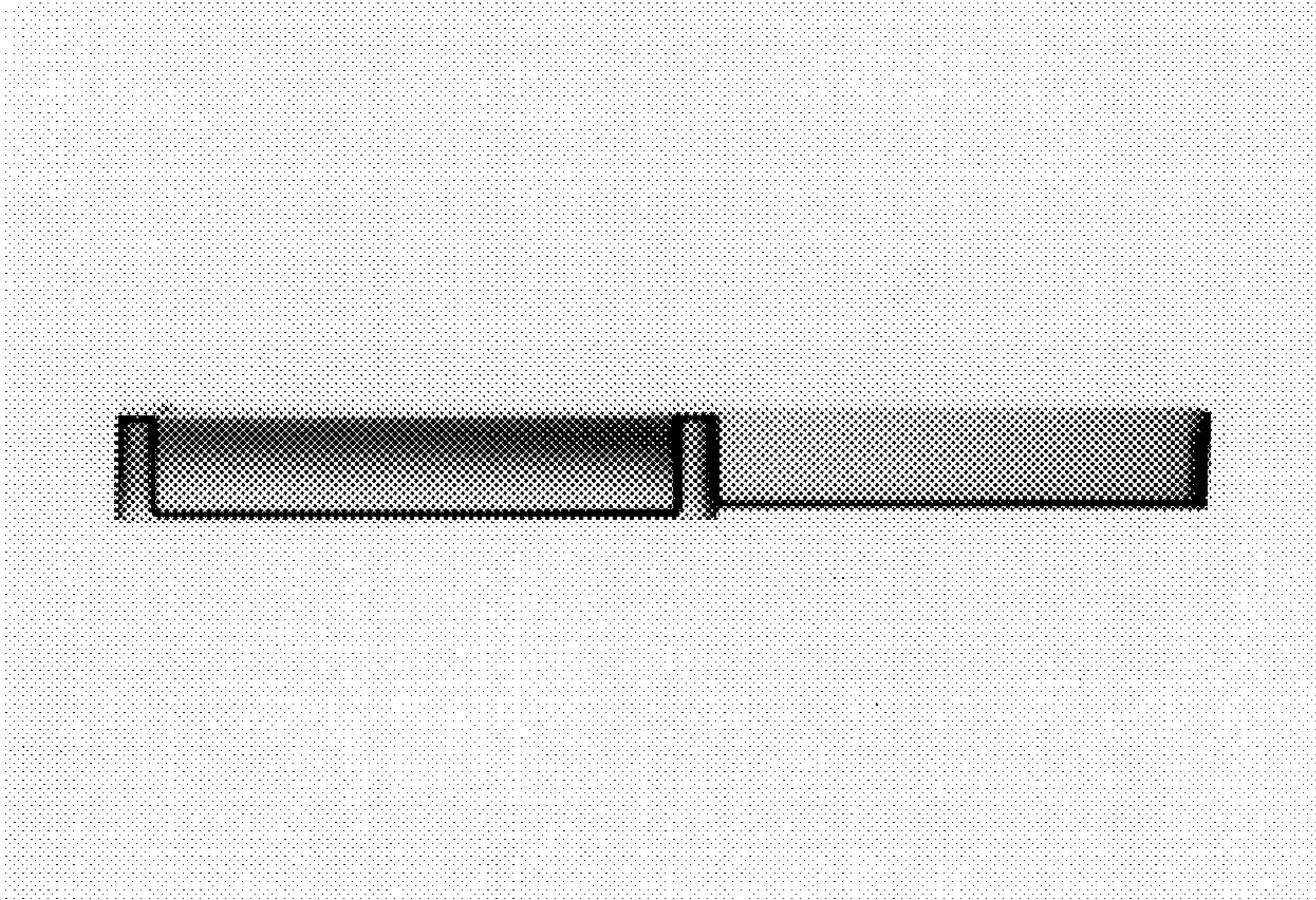


FIG. 3

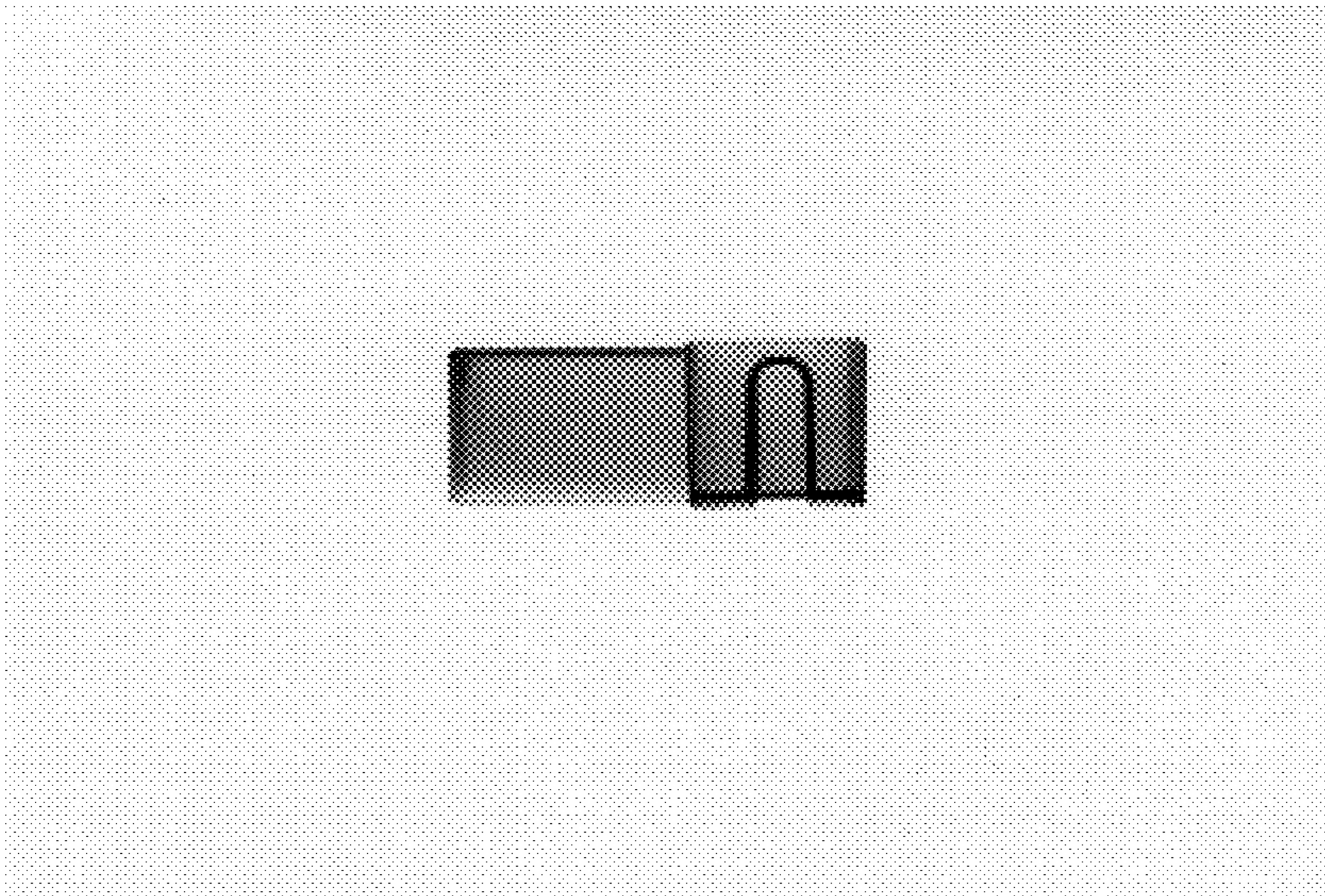


FIG. 4

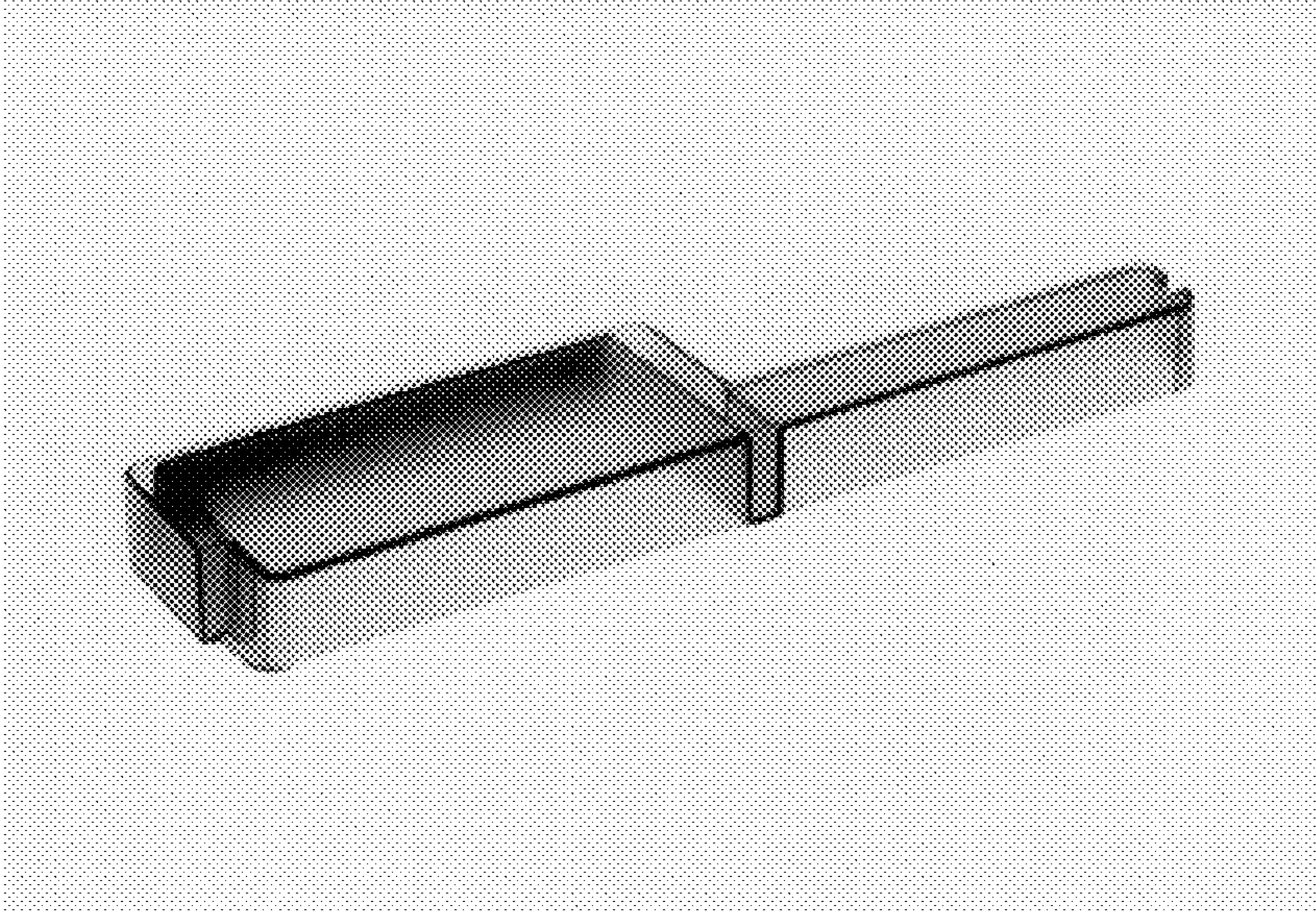


FIG. 5

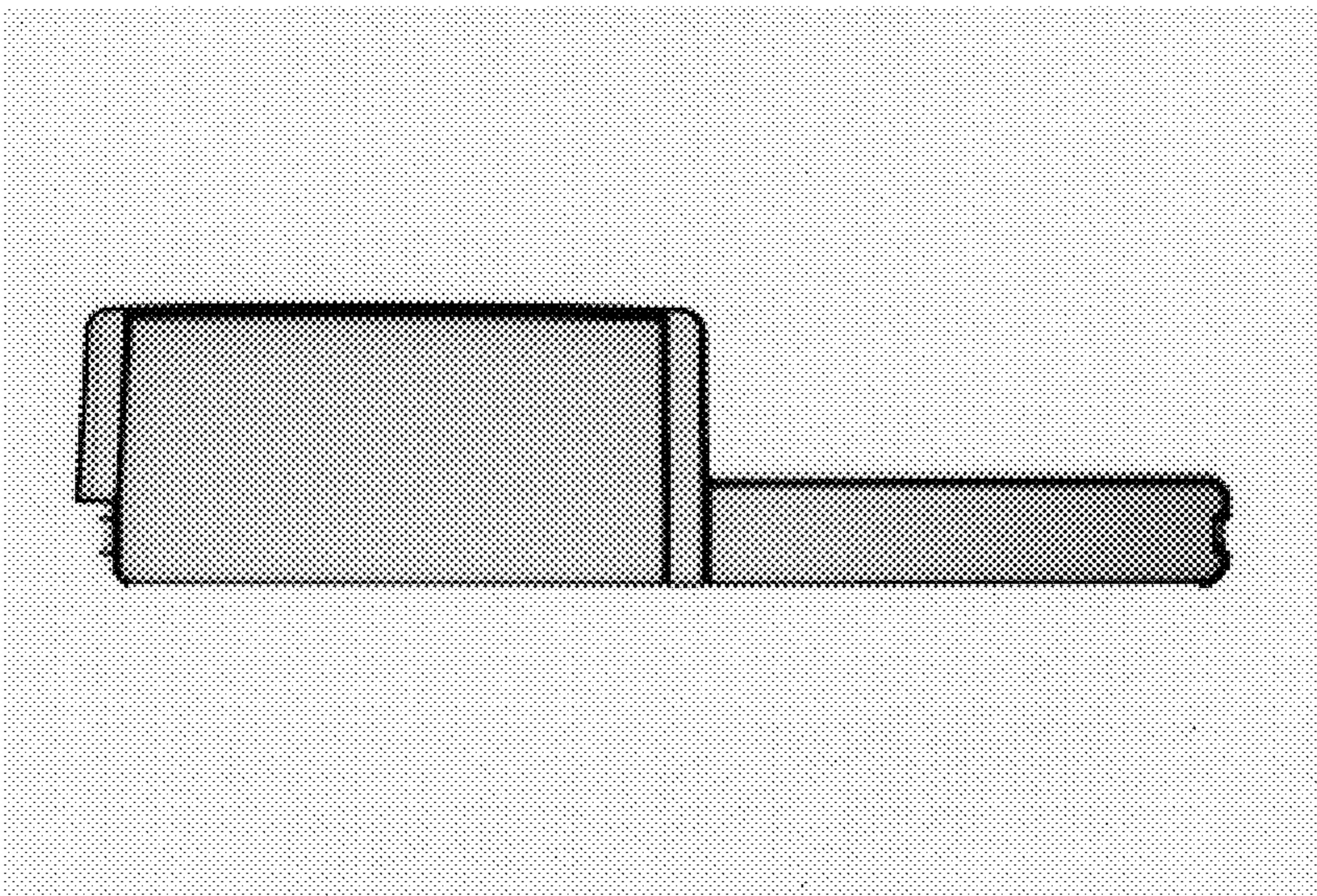


FIG. 6

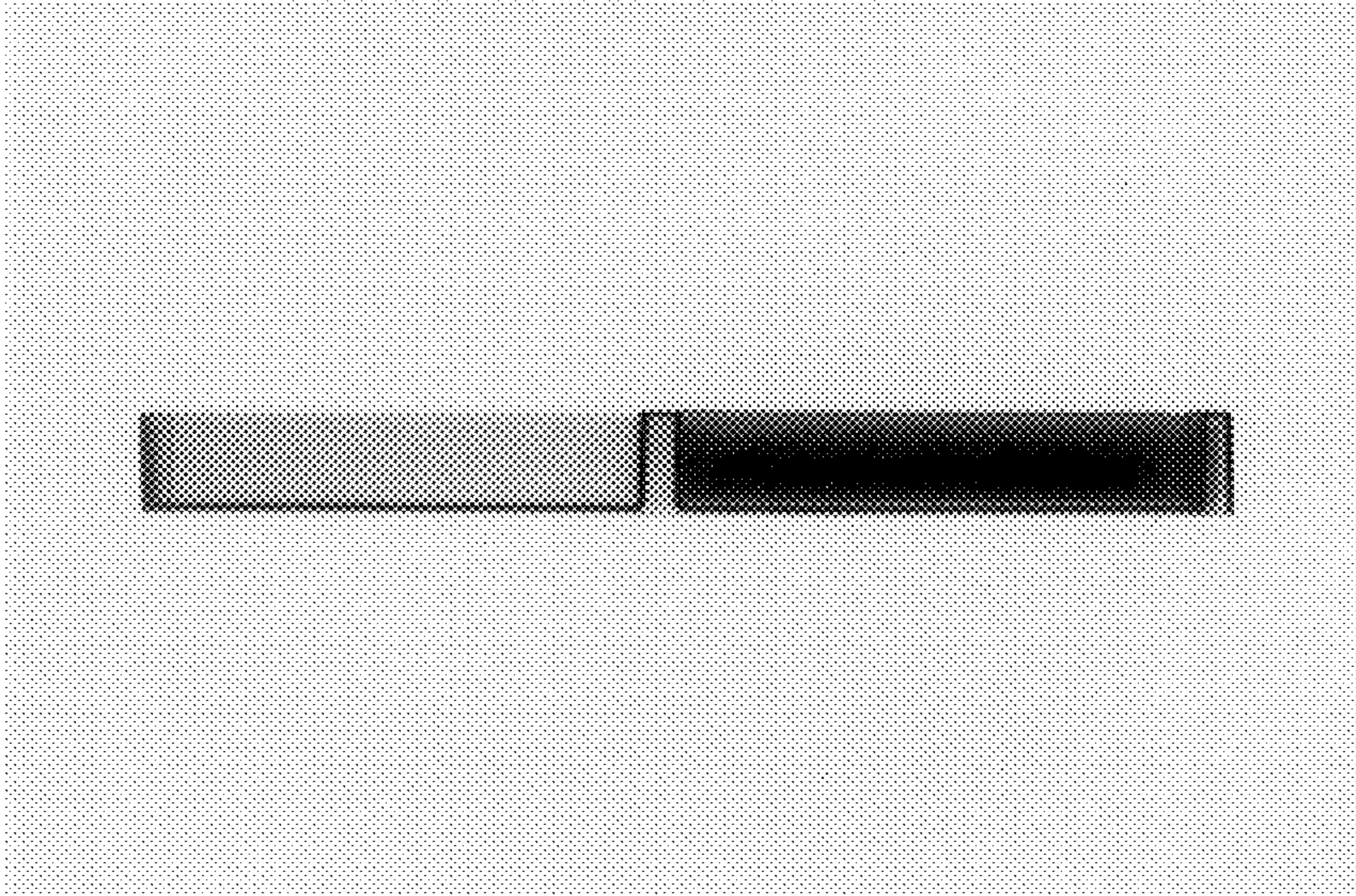


FIG. 7

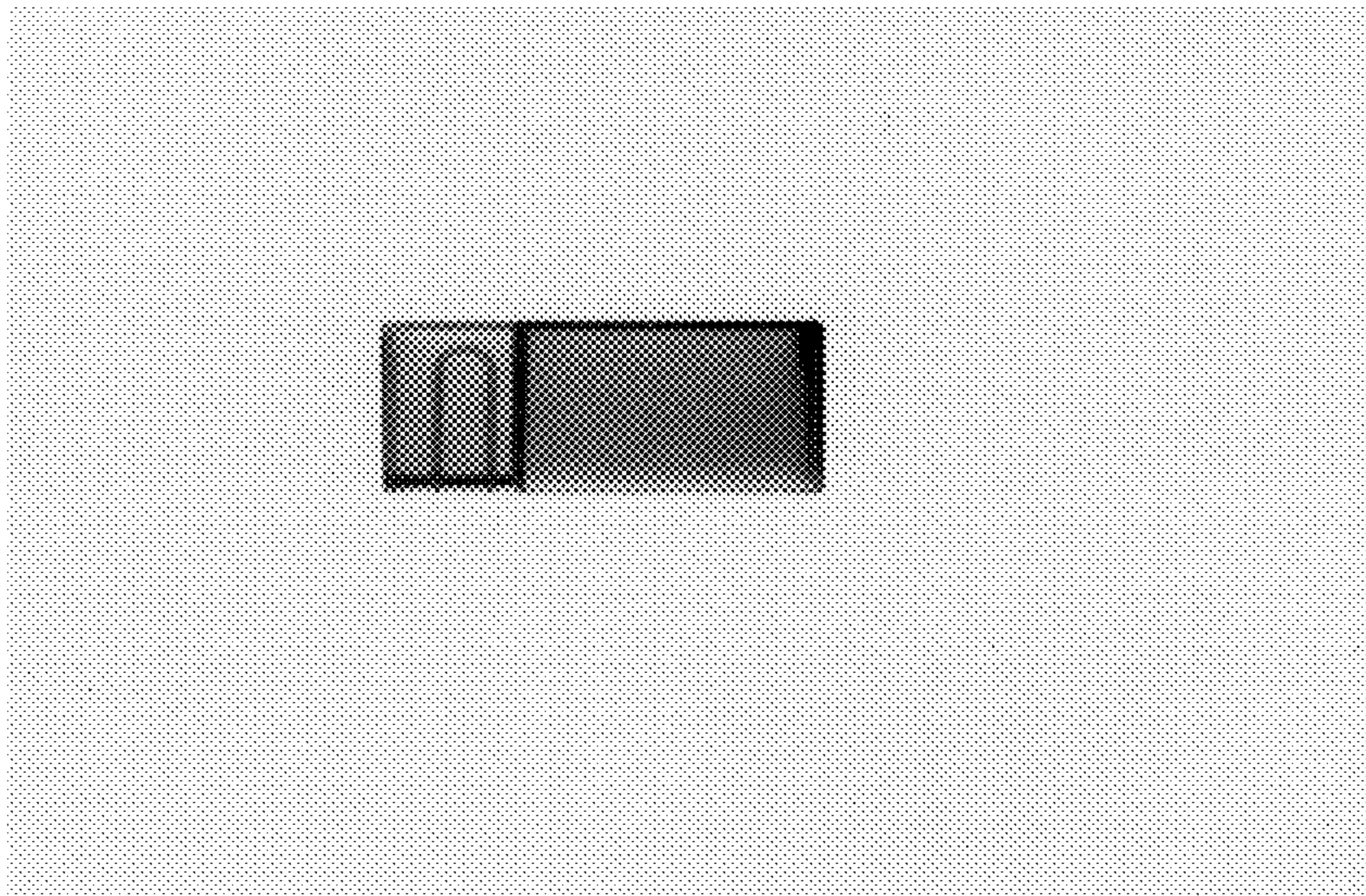


FIG. 8